



US00D474305S

(12) **United States Design Patent**
Vakil

(10) **Patent No.:** **US D474,305 S**

(45) **Date of Patent:** **** May 6, 2003**

(54) **LAMP CLAMP**

D406,918 S * 3/1999 Yan D26/138

(75) Inventor: **Usman Vakil**, Walnut, CA (US)

* cited by examiner

(73) Assignee: **Lights of America, Inc.**, Walnut, CA (US)

Primary Examiner—Jennifer Rivard
(74) *Attorney, Agent, or Firm*—Foley & Lardner

(**) Term: **14 Years**

(57) **CLAIM**

(21) Appl. No.: **29/158,725**

The ornamental design for a lamp clamp, as shown and described.

(22) Filed: **Apr. 9, 2002**

DESCRIPTION

(51) **LOC (7) Cl.** **26-99**

(52) **U.S. Cl.** **D26/138; D8/396**

(58) **Field of Search** D26/138, 141,
D26/113; D8/396; 248/316.1; 362/396,
216

FIG. 1 is a perspective view of the lamp clamp, which is shown supporting a fluorescent lamp, the fluorescent lamp being depicted by means of broken lines being shown for illustrative purposes only and forming no part of the claimed design;

FIG. 2 is a top plan view of the lamp clamp;

FIG. 3 is a bottom plan view of the lamp clamp;

FIG. 4 is a first side elevational view of the lamp clamp;

FIG. 5 is a second side elevational view of the lamp clamp;

and,

FIG. 6 is a front elevational view of the lamp clamp.

(56) **References Cited**

U.S. PATENT DOCUMENTS

D149,904 S	*	6/1948	Pieper	D26/143
4,316,120 A	*	2/1982	Cotman et al.	362/216
4,454,451 A	*	6/1984	Metoff	362/216
D279,612 S	*	7/1985	Bacevius	D26/138

1 Claim, 3 Drawing Sheets

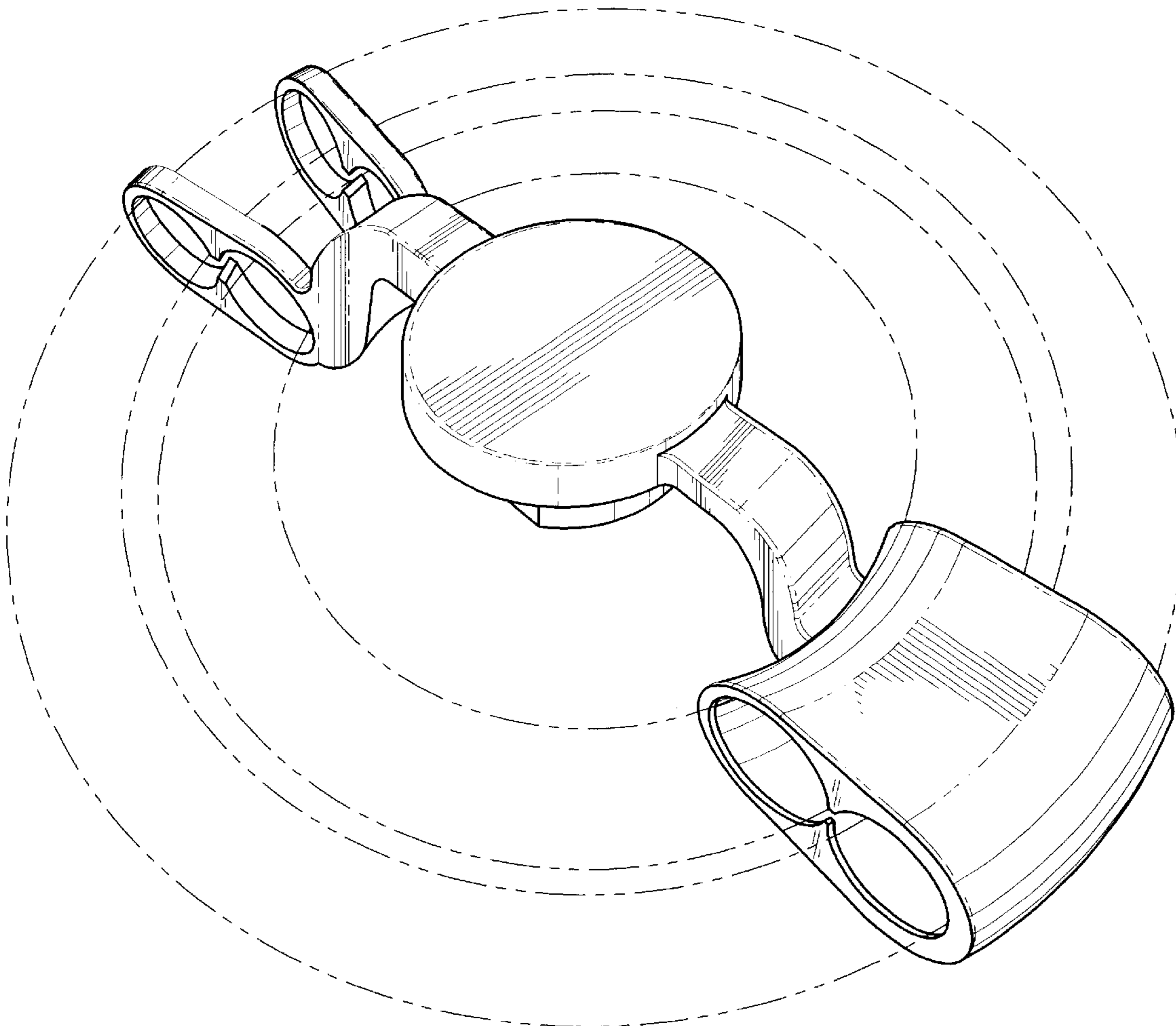
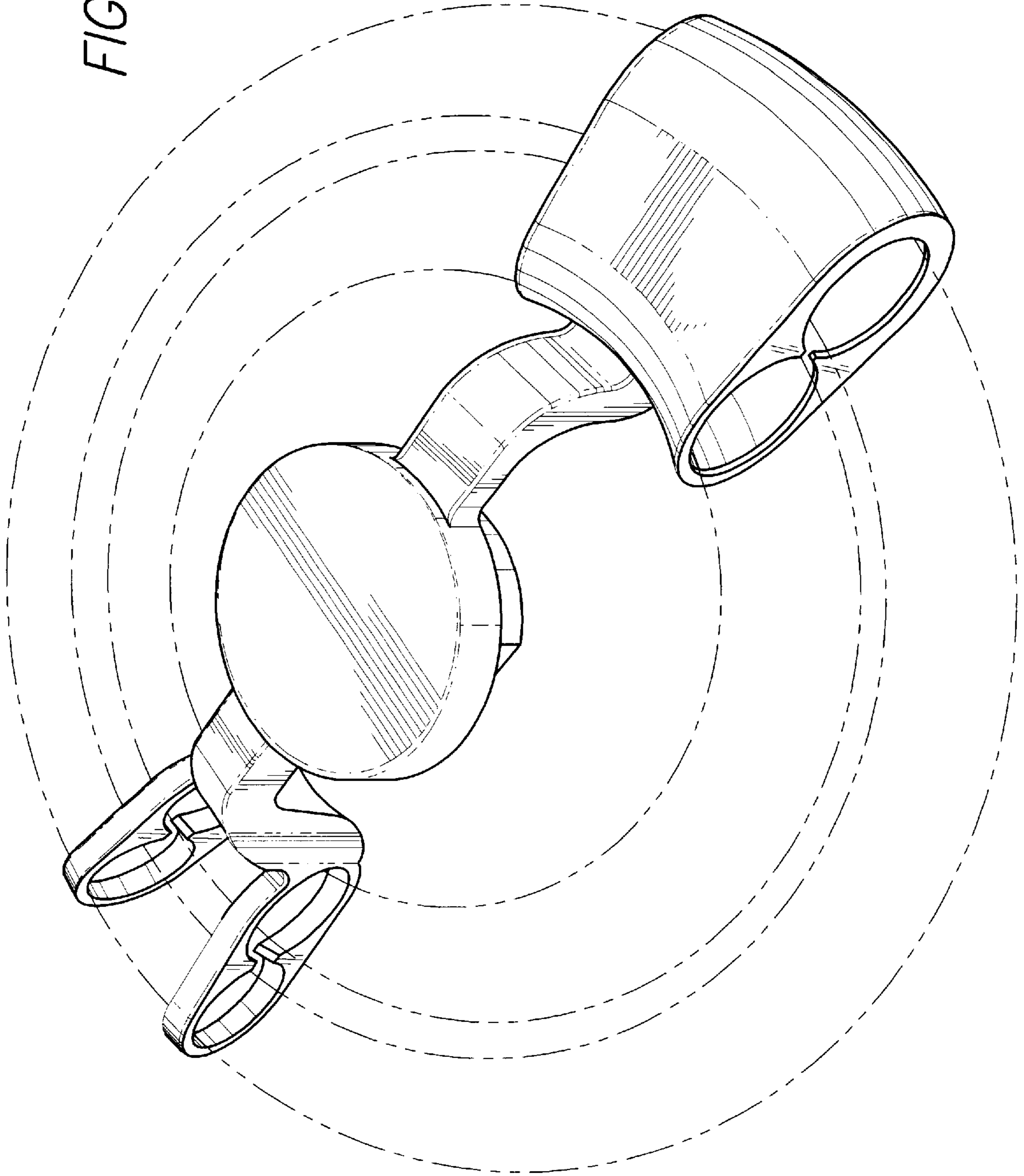


FIG. 1



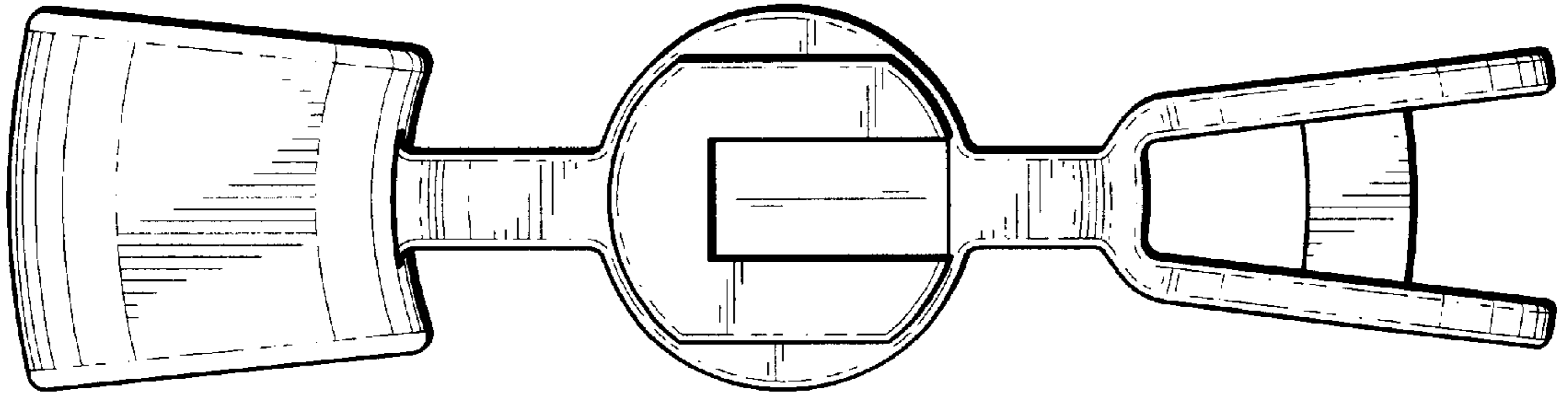


FIG. 3

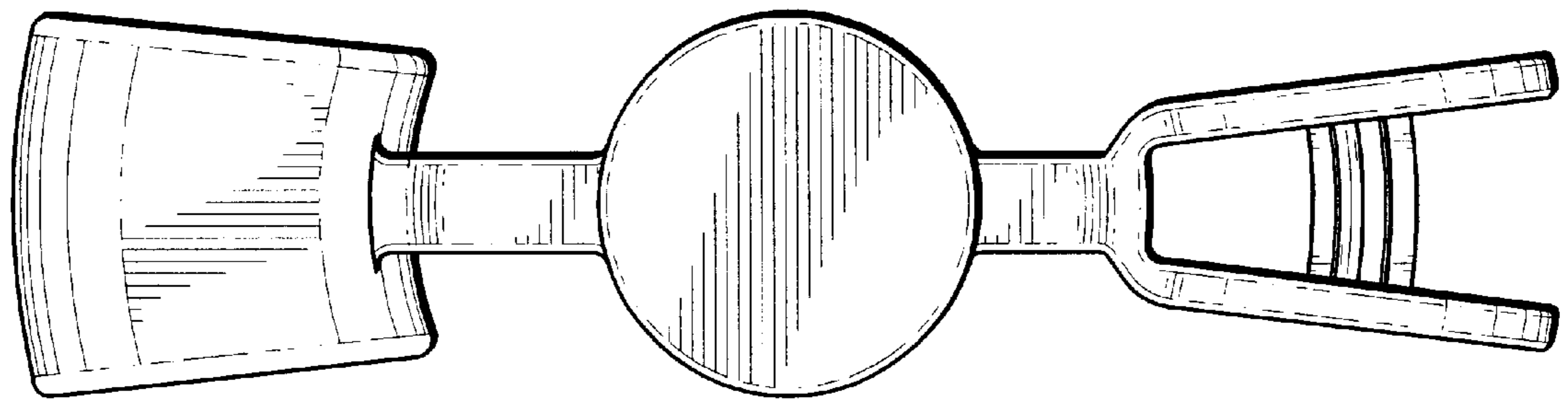


FIG. 2

FIG. 4

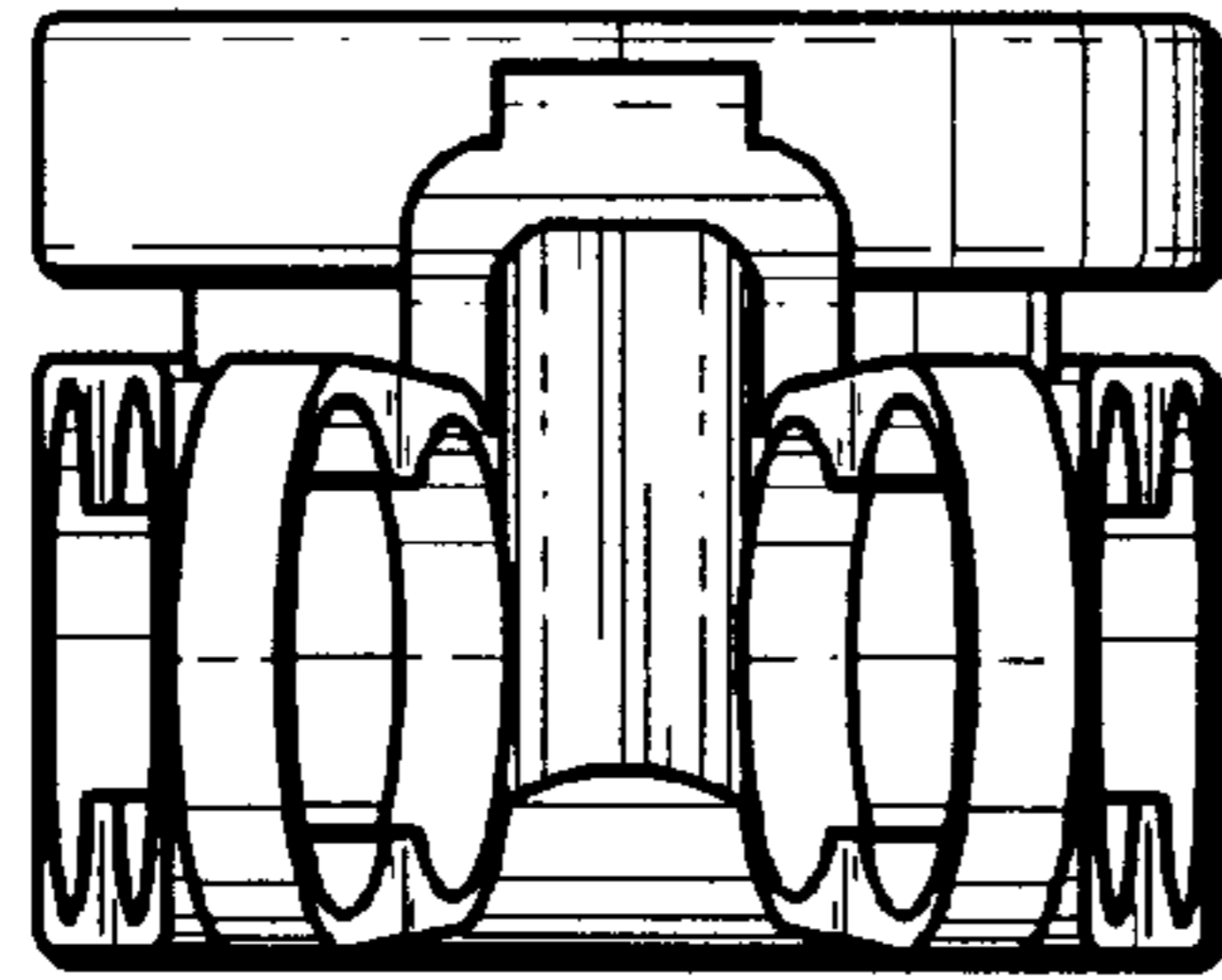


FIG. 5

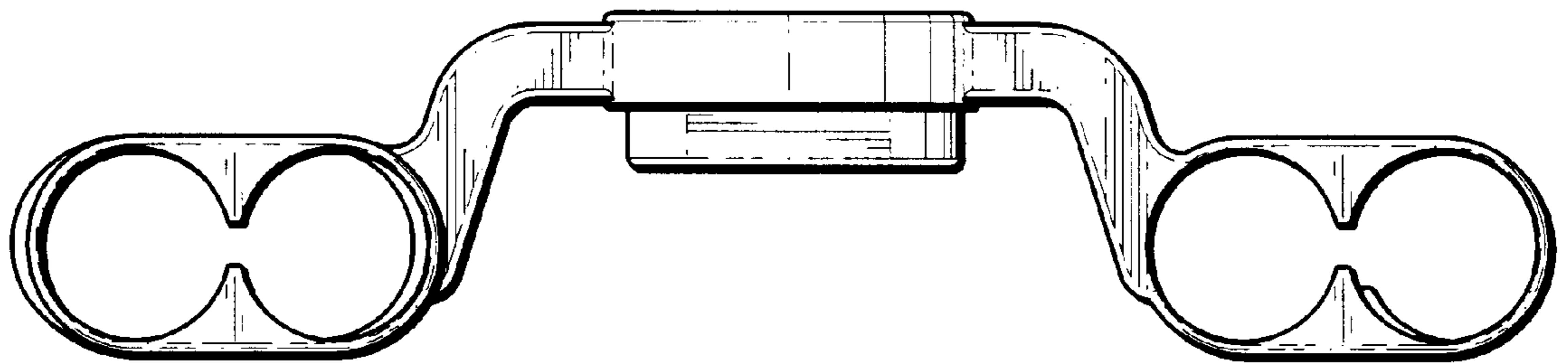
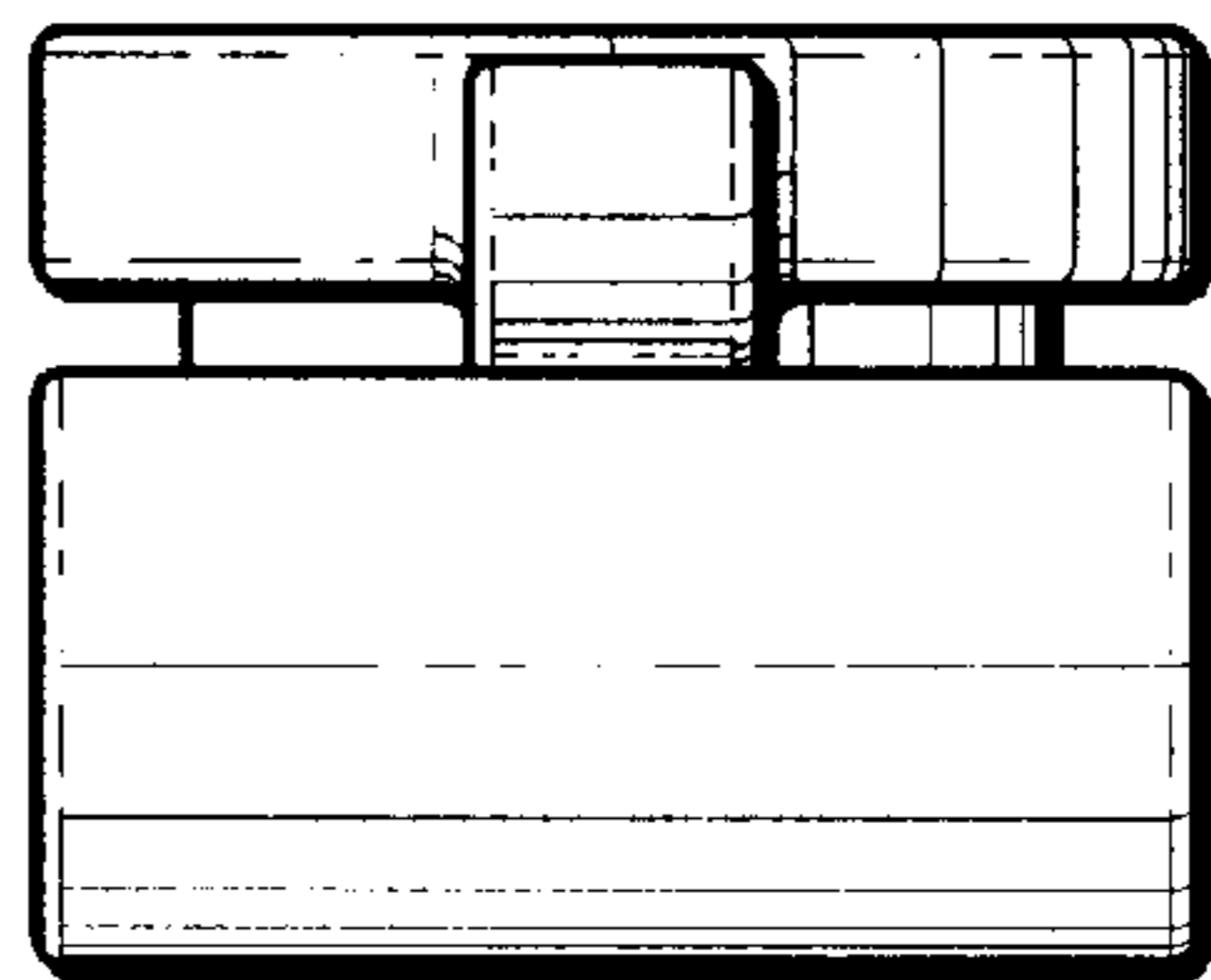


FIG. 6