



US00D474304S

(12) **United States Design Patent**  
**Mier-Langner et al.**

(10) **Patent No.:** **US D474,304 S**

(45) **Date of Patent:** **\*\* May 6, 2003**

(54) **CABLE SUSPENSION ASSEMBLY FOR A LUMINAIRE**

5,455,754 A \* 10/1995 Hoffner ..... 362/147

(75) Inventors: **Alejandro Mier-Langner**, Providence, RI (US); **Robert Scott Gosnell**, Weymouth, MA (US); **James Edward Kuchar**, Fall River, MA (US)

\* cited by examiner

*Primary Examiner*—Jennifer Rivard  
(74) *Attorney, Agent, or Firm*—Jeffrey A. Haeblerlin; Middleton Reutlinger

(73) Assignee: **Genlyte Thomas Group LLC**, Louisville, KY (US)

(57) **CLAIM**

(\*\*) Term: **14 Years**

The ornamental design for a cable suspension assembly for a luminaire, as shown and described.

(21) Appl. No.: **29/154,328**

**DESCRIPTION**

(22) Filed: **Jan. 22, 2002**

FIG. 1 is a perspective view of a cable suspension assembly for a luminaire showing our design;

(51) **LOC (7) Cl.** ..... **26-99**

FIG. 2 is a side elevational view thereof, where the opposite side elevational view is a mirror image of this view, and, therefore, has been omitted;

(52) **U.S. Cl.** ..... **D26/138**

(58) **Field of Search** ..... D26/113, 118, D26/138, 72, 85, 90; 362/220, 225, 217, 269, 277, 282, 404, 408, 147

FIG. 3 is a front elevational view thereof, where the rear elevational view is a mirror image of this view and, therefore, has been omitted; and,

(56) **References Cited**

FIG. 4 is a bottom plan view thereof.

**U.S. PATENT DOCUMENTS**

The broken line showing of environmental structure is for illustrative purposes only and forms no part of the claimed design.

- 4,109,305 A \* 8/1978 Claussen et al. .... 362/404
- D285,977 S \* 9/1986 De Pas et al. .... D26/90
- 5,317,493 A \* 5/1994 Muller et al. .... 362/404

**1 Claim, 4 Drawing Sheets**

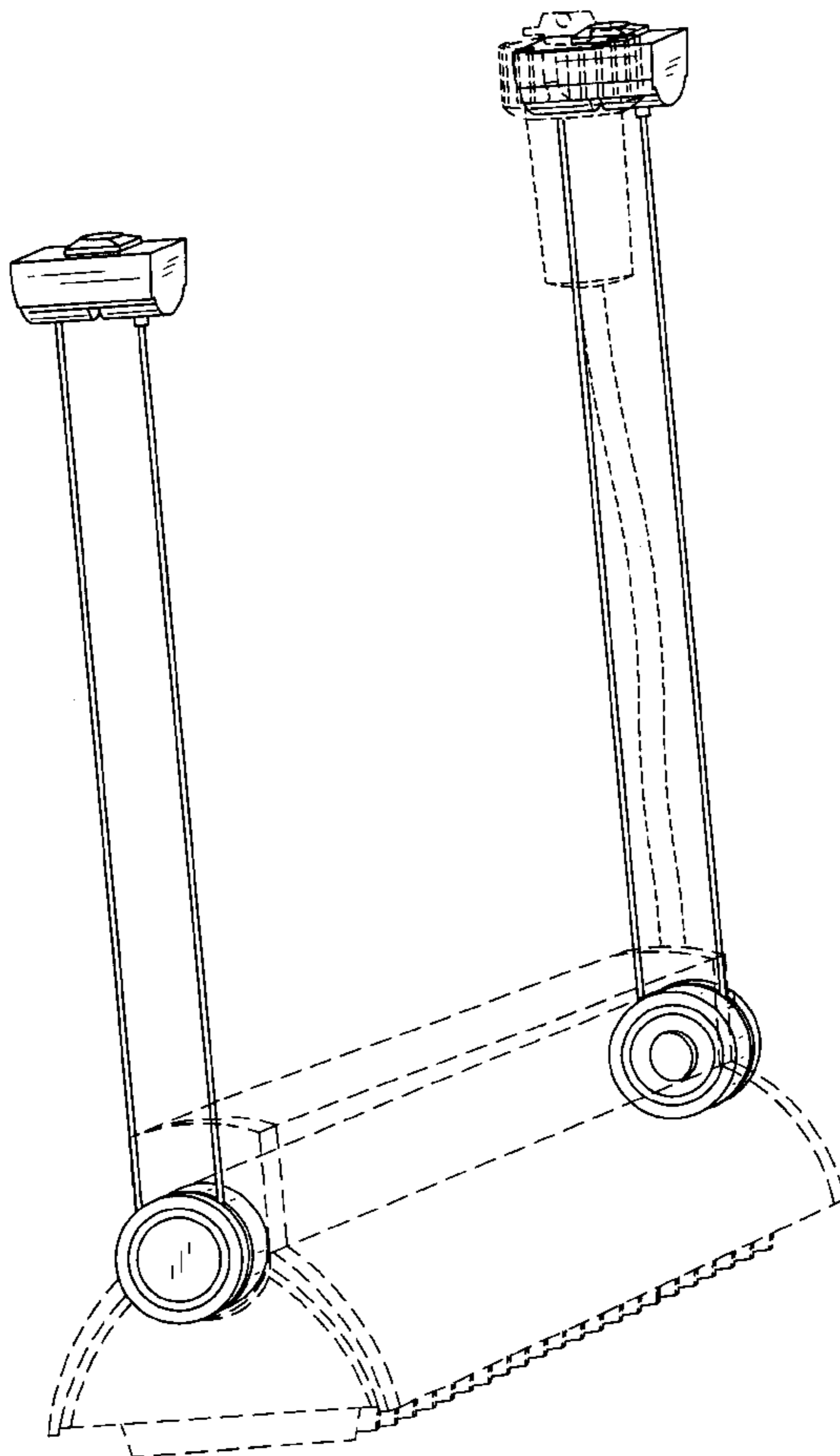


FIG. 1

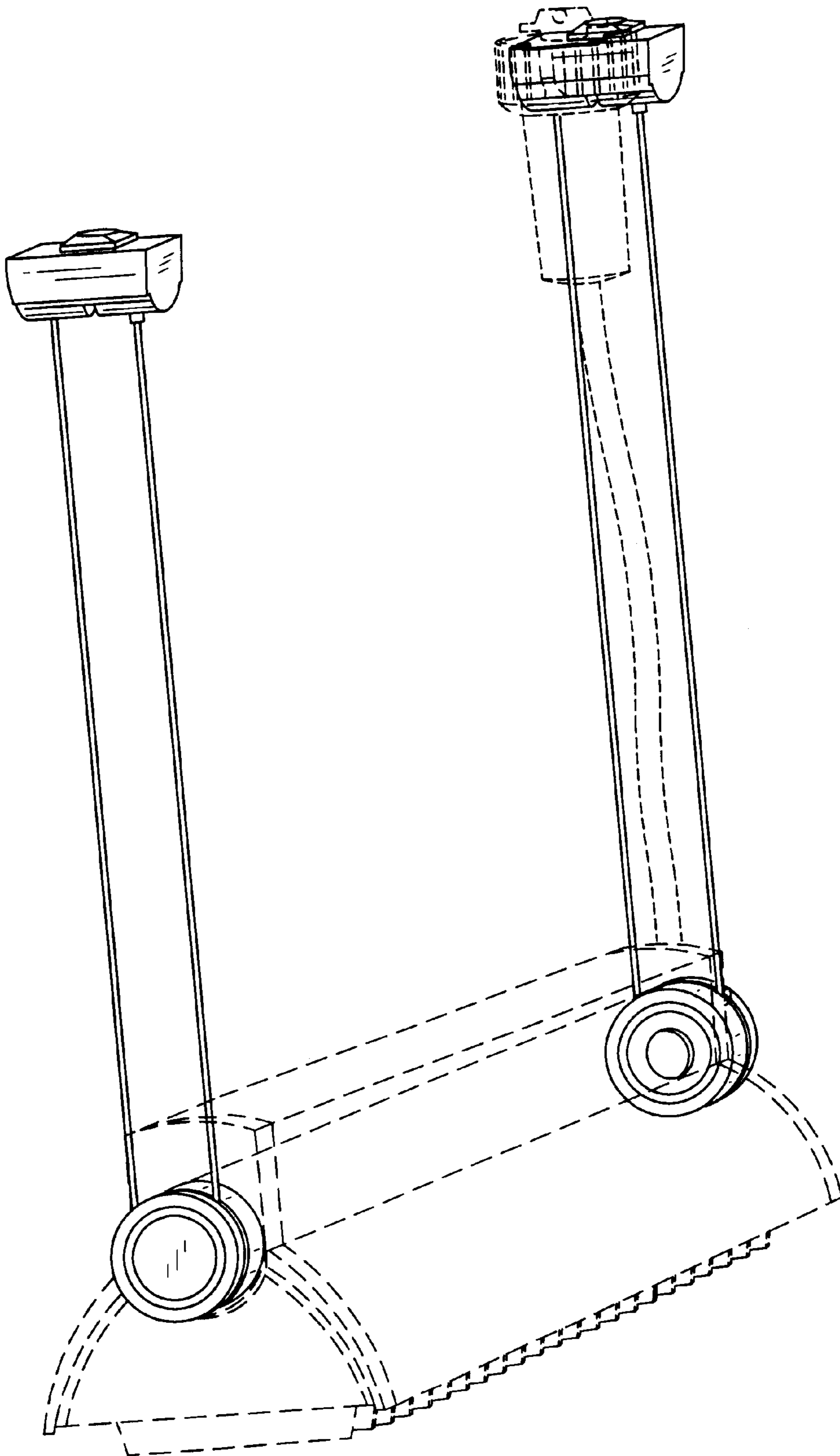


FIG. 2

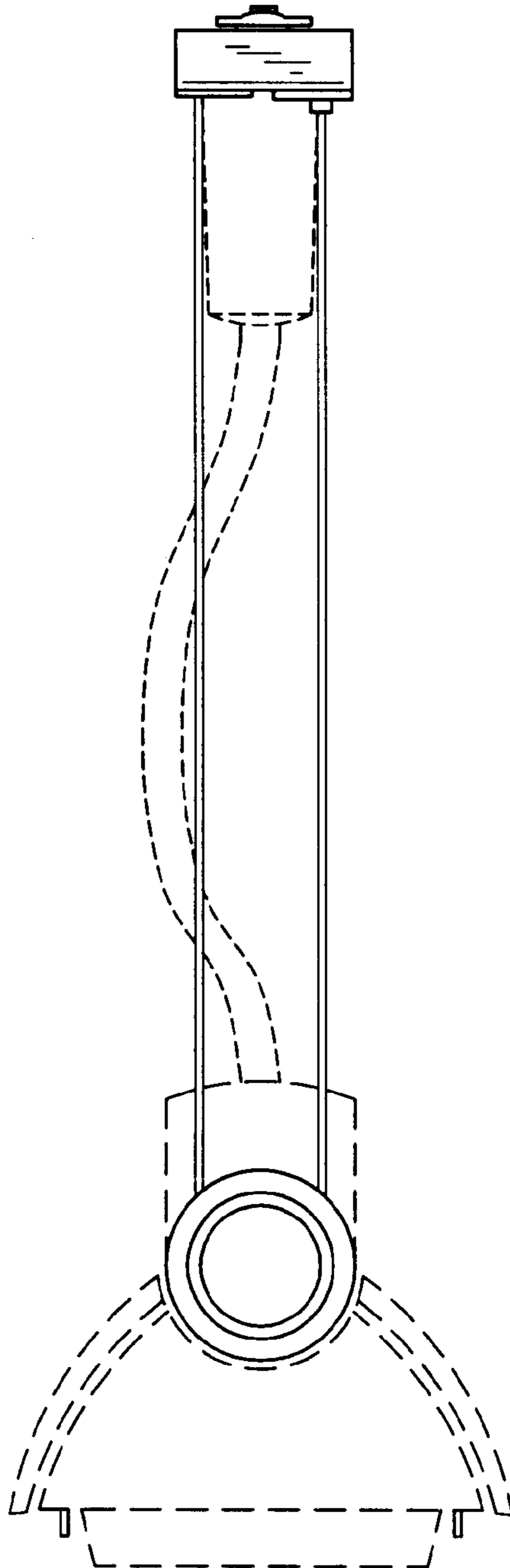


FIG. 3

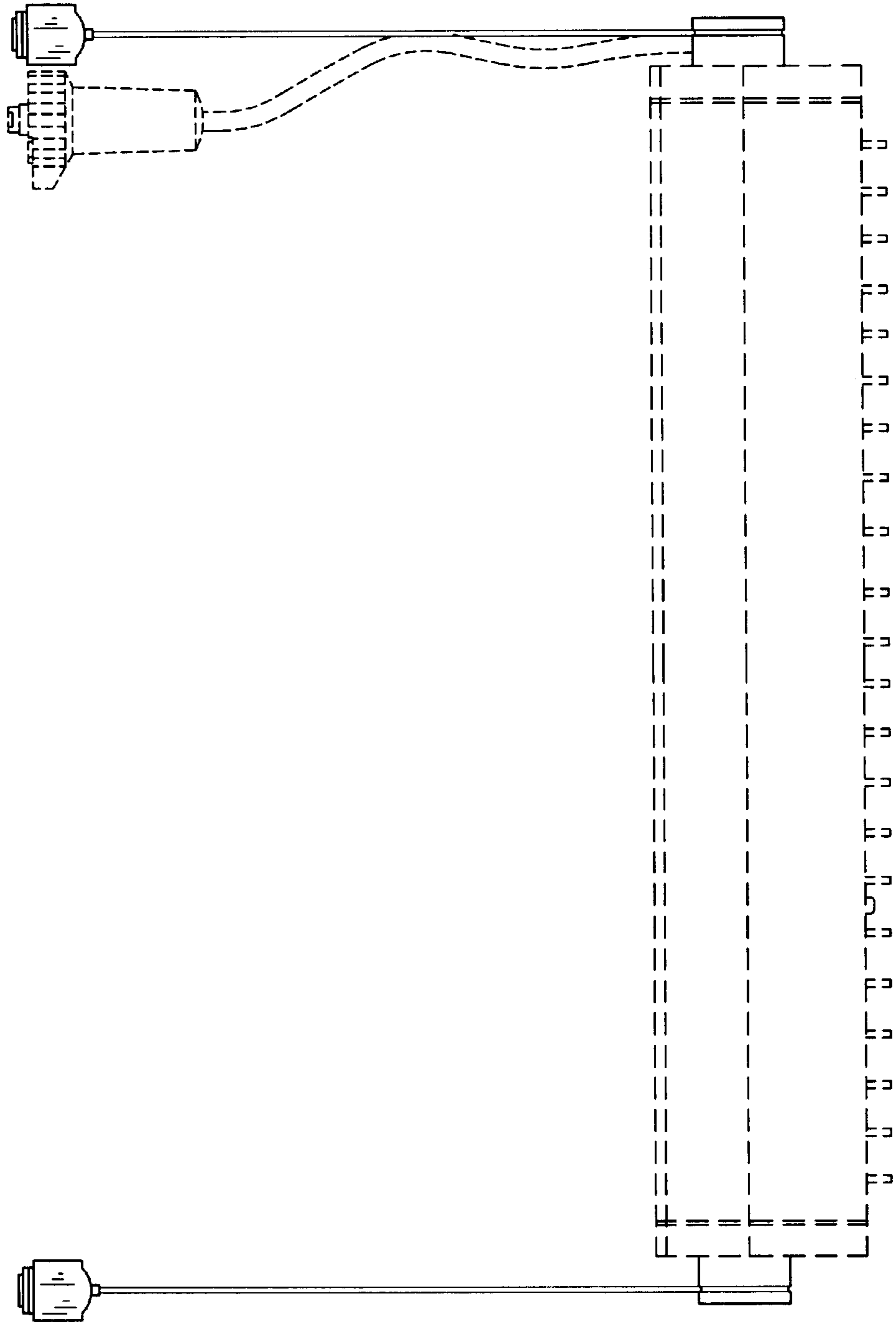


FIG. 4

