



US00D474302S

(12) **United States Design Patent**
Jensen

(10) **Patent No.:** **US D474,302 S**

(45) **Date of Patent:** **** May 6, 2003**

(54) **BASE PORTION OF A CANDLE LAMP**

(75) Inventor: **Bradford Brian Jensen**, St. Joseph, MI (US)

(73) Assignee: **The Lamson & Sessions Co.**, Cleveland, OH (US)

(**) Term: **14 Years**

(21) Appl. No.: **29/162,505**

(22) Filed: **Jun. 17, 2002**

Related U.S. Application Data

(62) Division of application No. 10/022,693, filed on Dec. 17, 2001.

(51) **LOC (7) Cl.** **26-03**

(52) **U.S. Cl.** **D26/96**

(58) **Field of Search** D26/6, 7, 9-23,
D26/96, 41; 362/392, 393, 810, 161, 806,
410-414

(56) **References Cited**

U.S. PATENT DOCUMENTS

D151,037 S * 9/1948 Frank et al. D26/41
D188,691 S * 8/1960 Gelardin D26/41
3,158,328 A * 11/1964 Kubak 362/393

* cited by examiner

Primary Examiner—Alan P. Douglas

Assistant Examiner—Linda Brooks

(74) *Attorney, Agent, or Firm*—Jones Day

(57) **CLAIM**

We claim the ornamental design for a base portion of a candle lamp, as shown and described.

DESCRIPTION

FIG. 1 is a perspective view of a base portion of a candle lamp embodying the ornamental design of the present invention;

FIG. 2 is a side view of the base portion of a candle lamp of FIG. 1, the opposite side view being a mirror image;

FIG. 3 is a front view of the base portion of a candle lamp of FIG. 1;

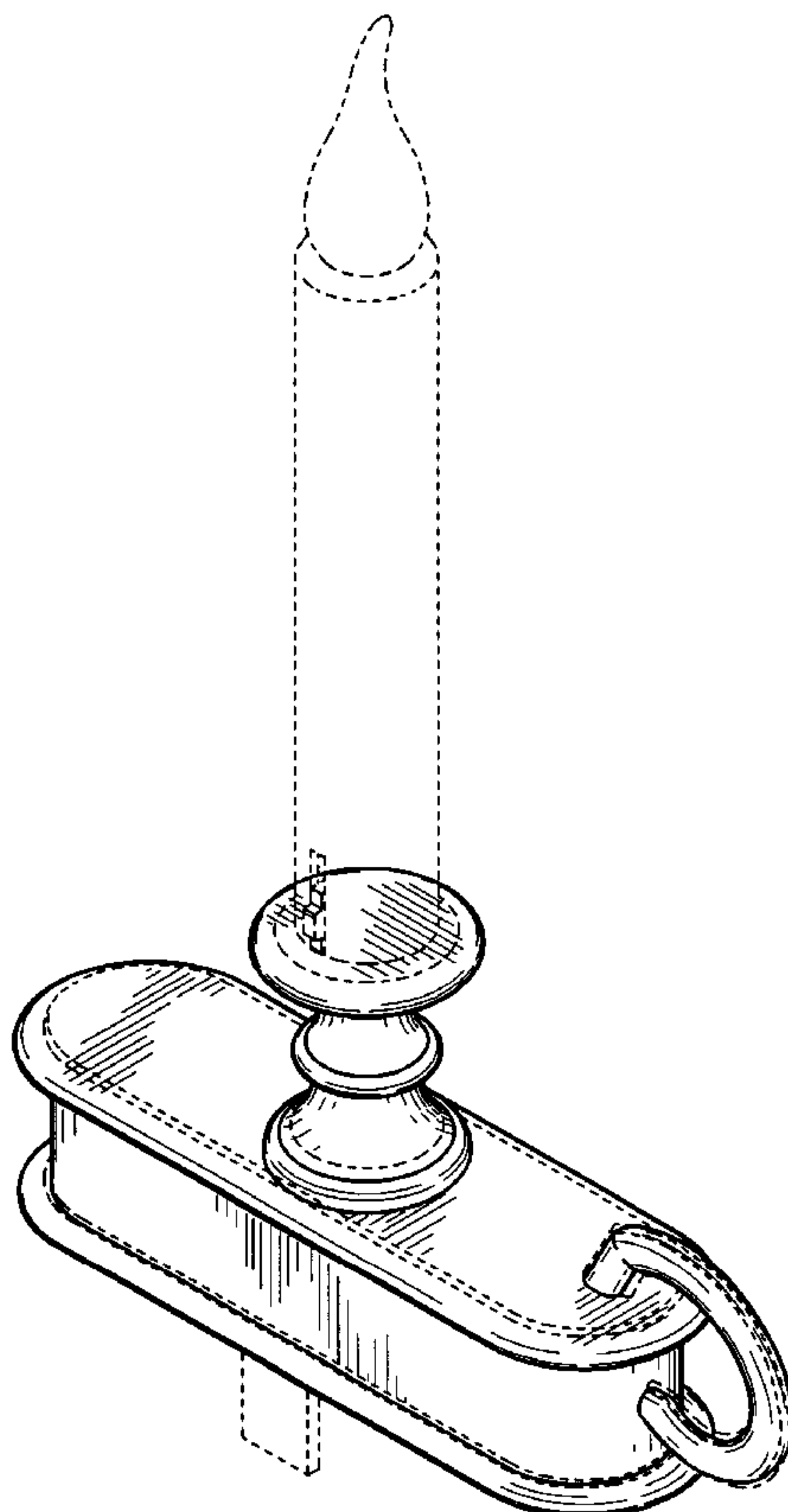
FIG. 4 is a rear view of the base portion of a candle lamp of FIG. 1;

FIG. 5 is a top view of the base portion of a candle lamp of FIG. 1; and,

FIG. 6 is a bottom view of the base portion of a candle lamp of FIG. 1.

The broken line showings of FIGS. 1-6 are for illustrative purposes only and form no part of the claimed design.

1 Claim, 2 Drawing Sheets



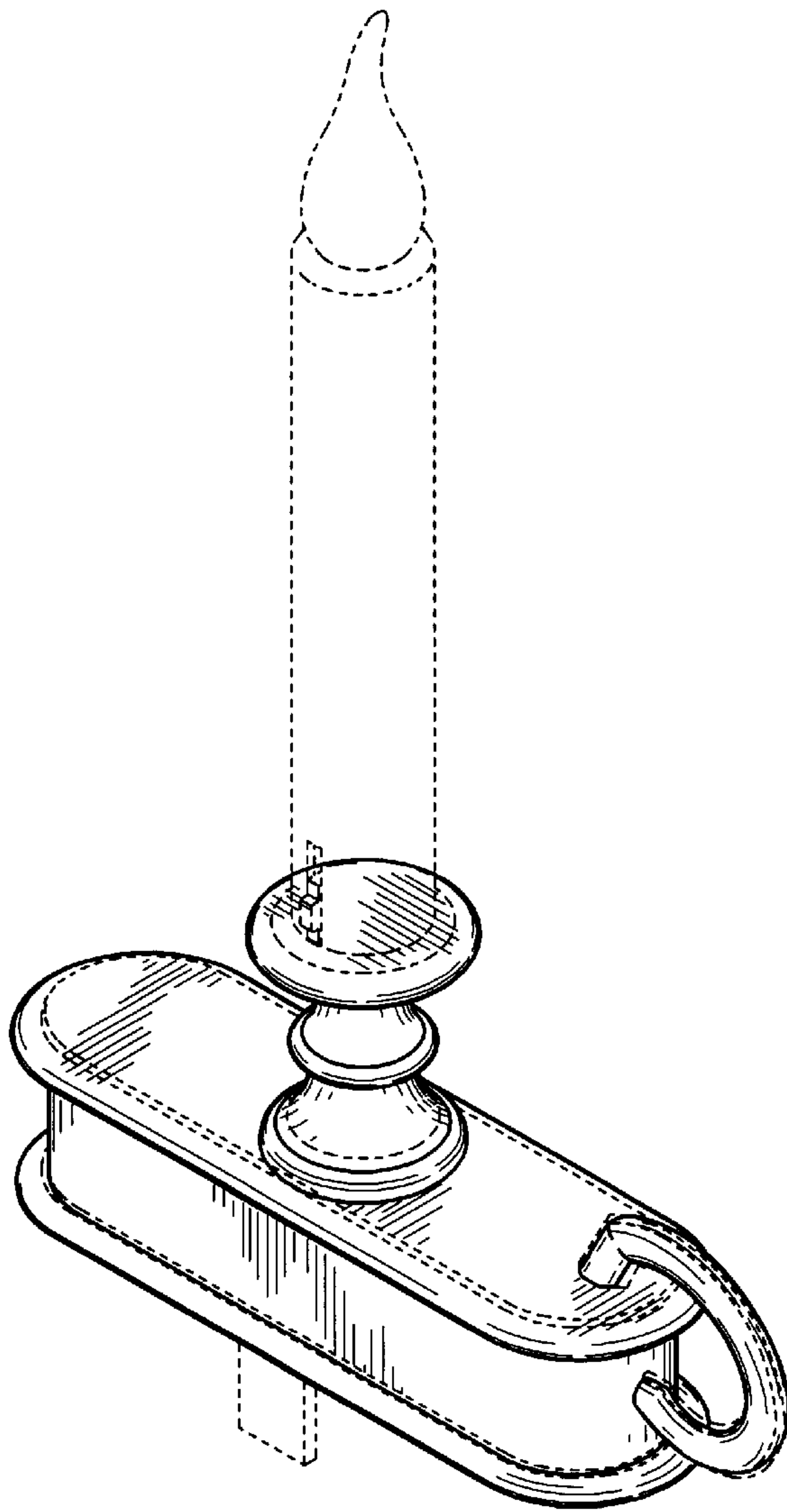


Fig.1

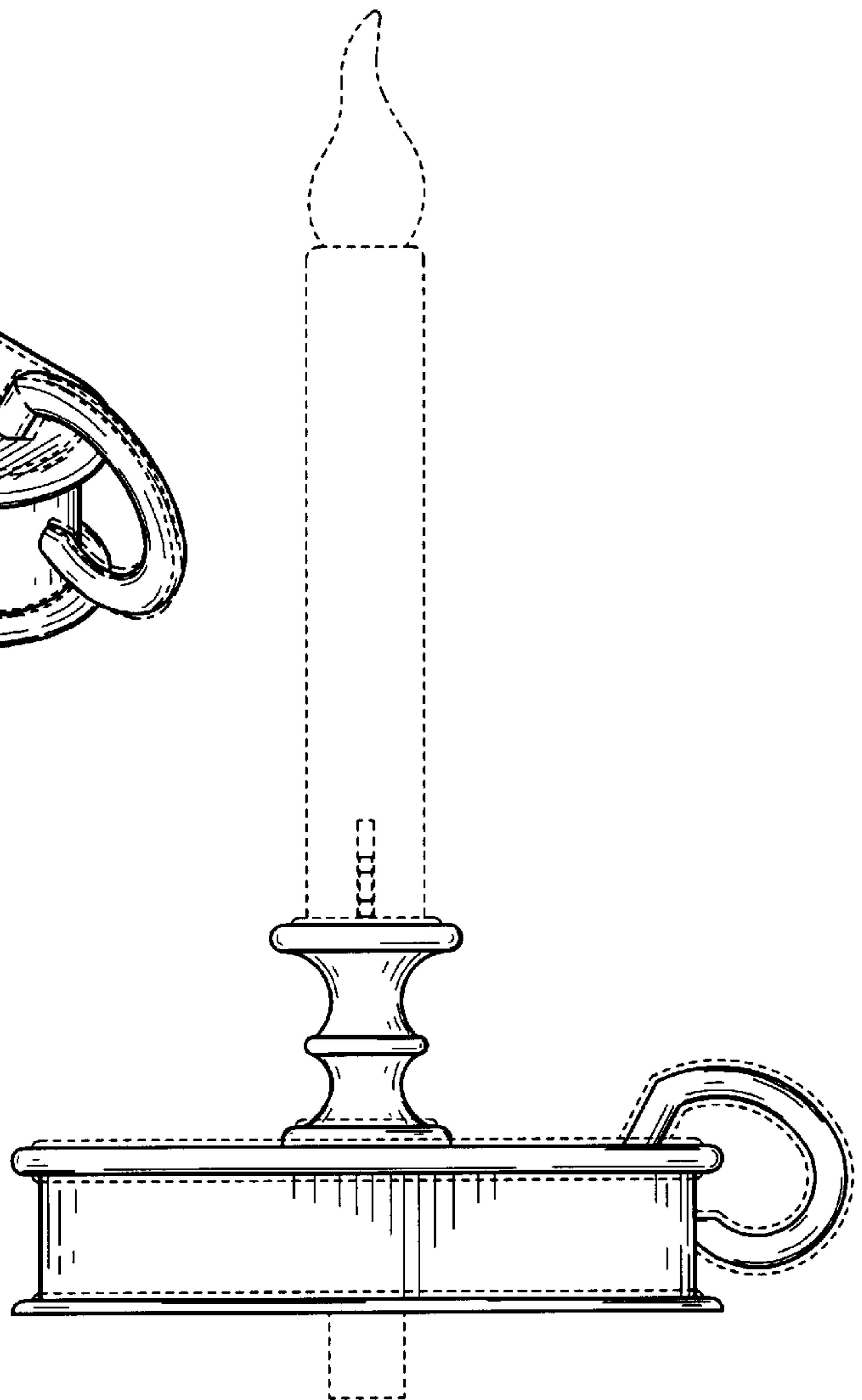


Fig.2

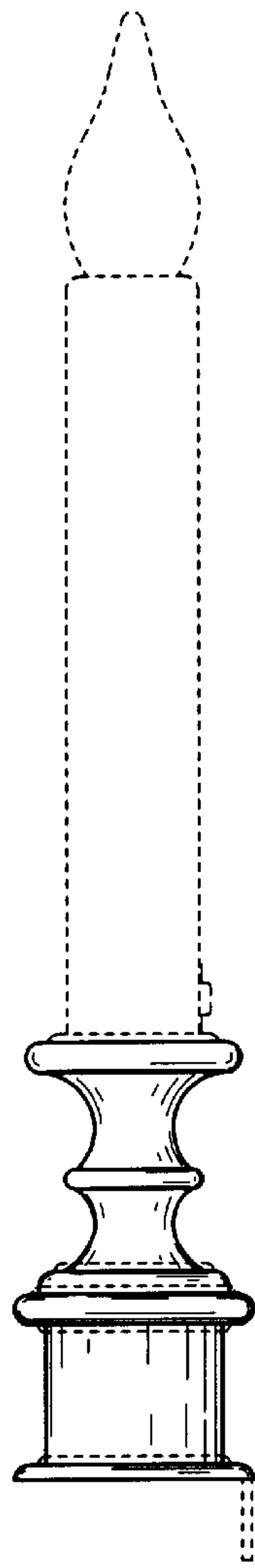


Fig.3

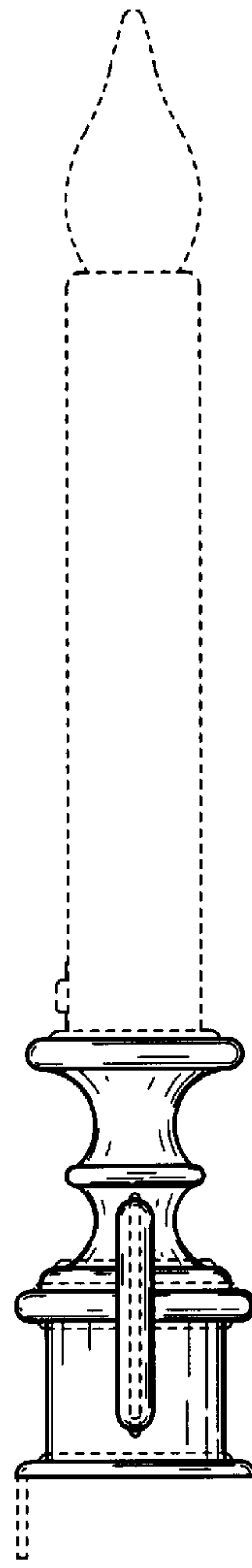


Fig.4

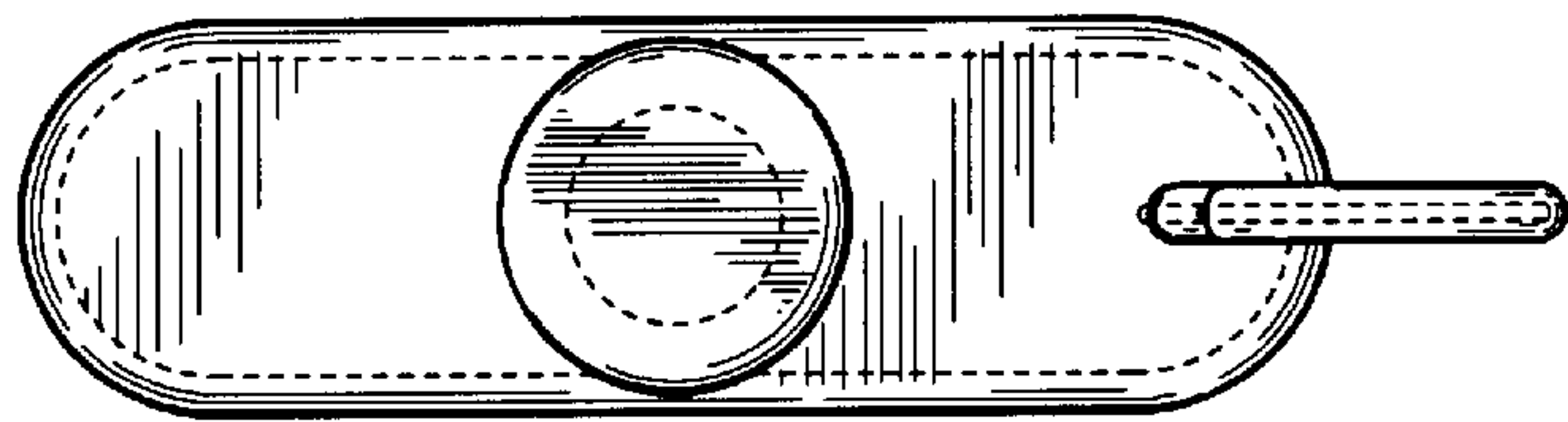


Fig.5

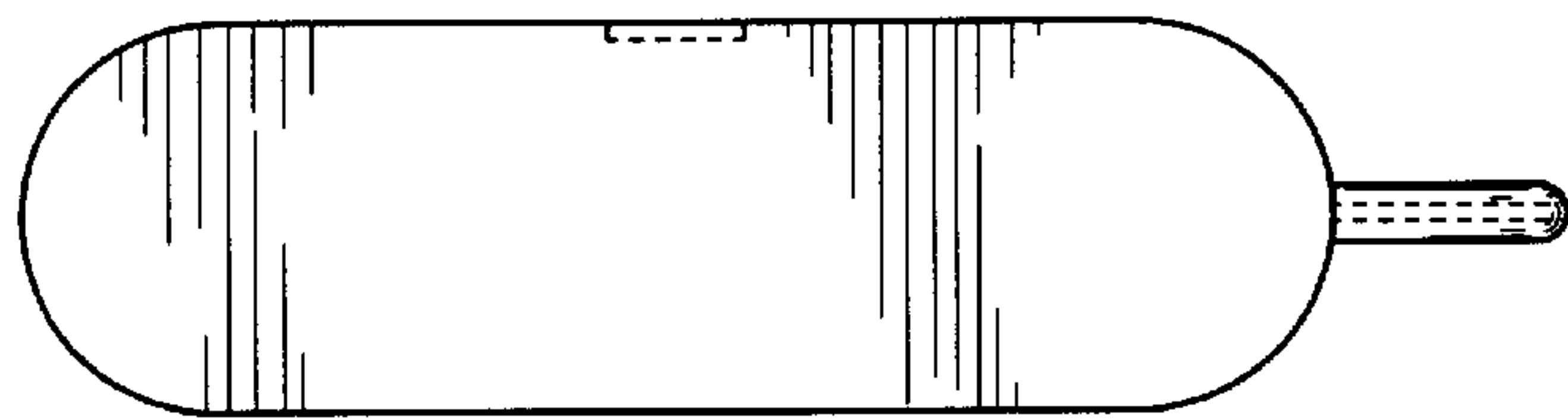


Fig.6