



US00D474300S

(12) **United States Design Patent**
Lecluze

(10) **Patent No.:** **US D474,300 S**

(45) **Date of Patent:** **** May 6, 2003**

(54) **LIGHT FIXTURE**

(75) **Inventor:** **Michel Lecluze, St-Jean-Chrysostome (CA)**

(73) **Assignee:** **Éclairage Contraste, St-Jean-Chrysostome (CA)**

(**) **Term:** **14 Years**

(21) **Appl. No.:** **29/163,681**

(22) **Filed:** **Jul. 10, 2002**

(30) **Foreign Application Priority Data**

Jan. 15, 2002 (CA) 2002-0126

(51) **LOC (7) Cl.** **26-05**

(52) **U.S. Cl.** **D26/74**

(58) **Field of Search** D26/67, 72, 74,
D26/80-92, 118, 138, 142, 152; 362/147,
362, 364, 365, 367, 368, 374, 375, 432,
404-408

(56) **References Cited**

U.S. PATENT DOCUMENTS

2,922,030 A * 1/1960 Bobrick 362/366
3,130,949 A * 4/1964 Erhardt et al. 362/365

3,609,346 A * 9/1971 Lund et al. 362/364
4,290,098 A * 9/1981 Pierson 362/485
4,703,406 A * 10/1987 Elliott et al. 362/365
D380,852 S * 7/1997 Lecluze D26/118
D381,111 S * 7/1997 Lecluze D26/118
D386,277 S * 11/1997 Lecluze D26/74
D387,466 S * 12/1997 Lecluze D26/118
D397,472 S * 8/1998 Lecluze D26/118
D397,490 S * 8/1998 Lecluze D26/118
D400,999 S * 11/1998 Lecluze D26/74
5,957,572 A * 9/1999 Wedekind et al. 362/365

* cited by examiner

Primary Examiner—Alan P. Douglas

Assistant Examiner—Clare E. Heflin

(74) *Attorney, Agent, or Firm*—Jean H. Dubuc

(57) **CLAIM**

The ornamental design for a light fixture, as shown and described.

DESCRIPTION

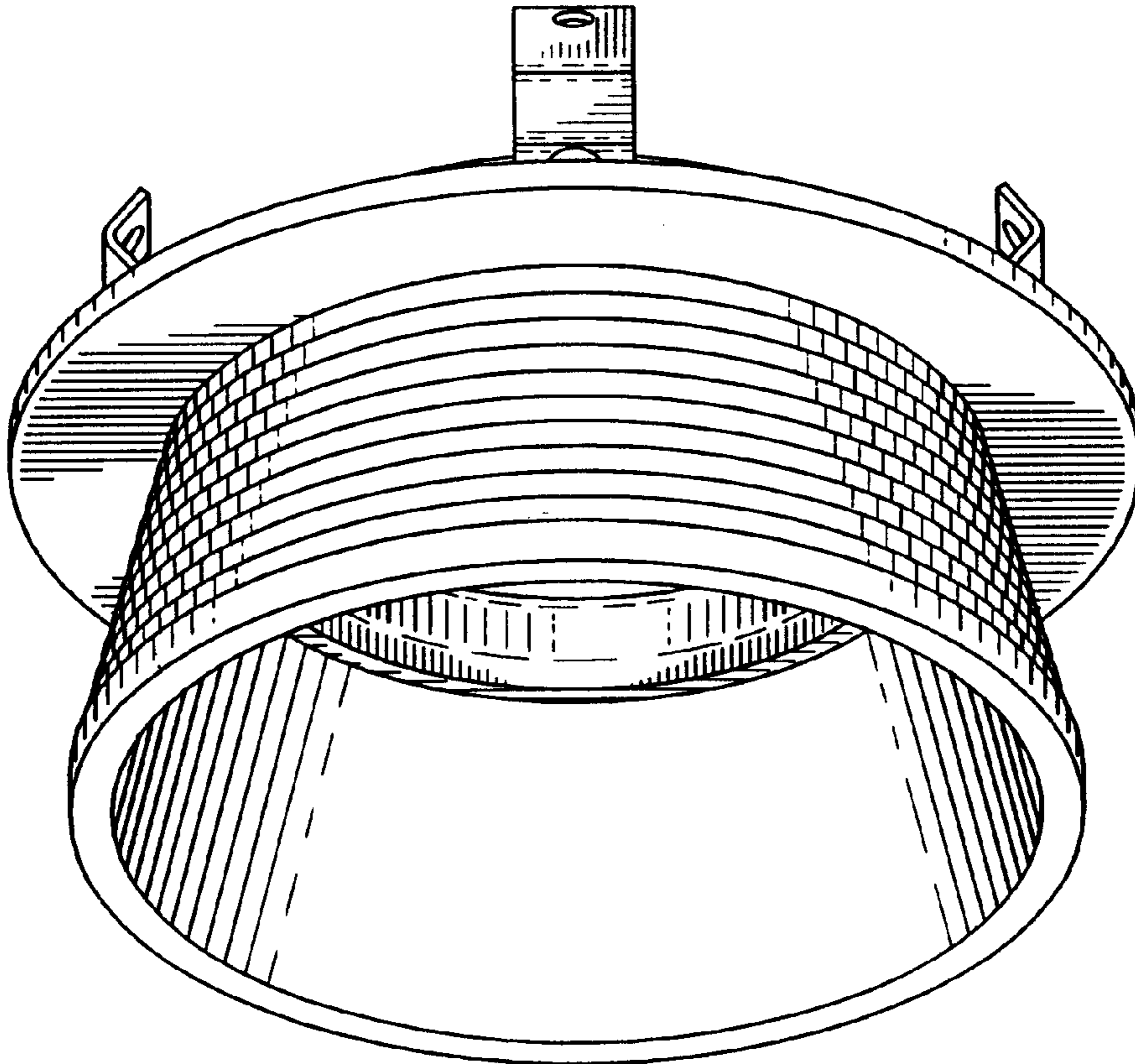
FIG. 1 is a perspective view of a light fixture showing my new design;

FIG. 2 is a bottom view thereof;

FIG. 3 is a side view thereof; and,

FIG. 4 is a top view thereof.

1 Claim, 2 Drawing Sheets



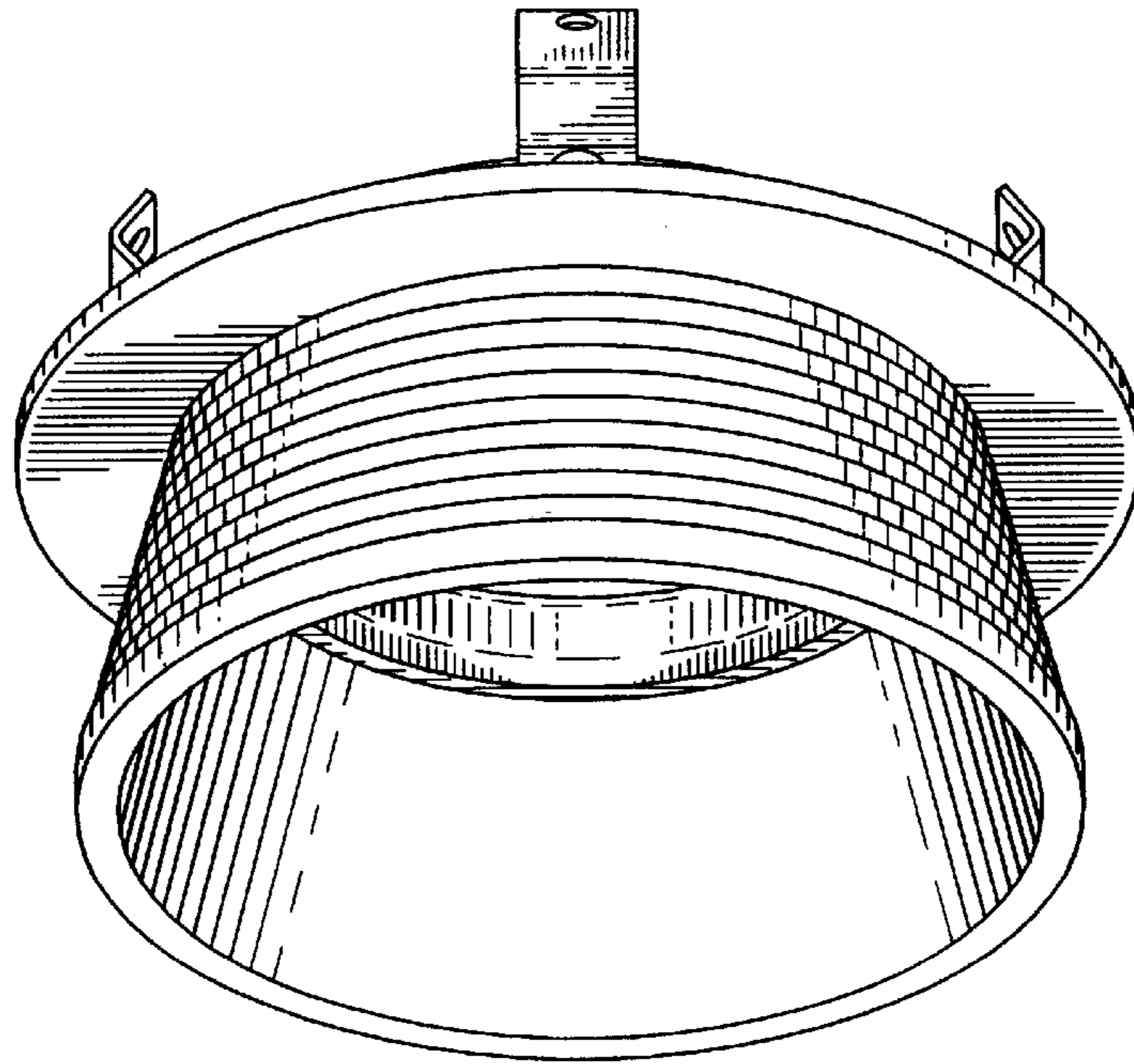


FIG. 1

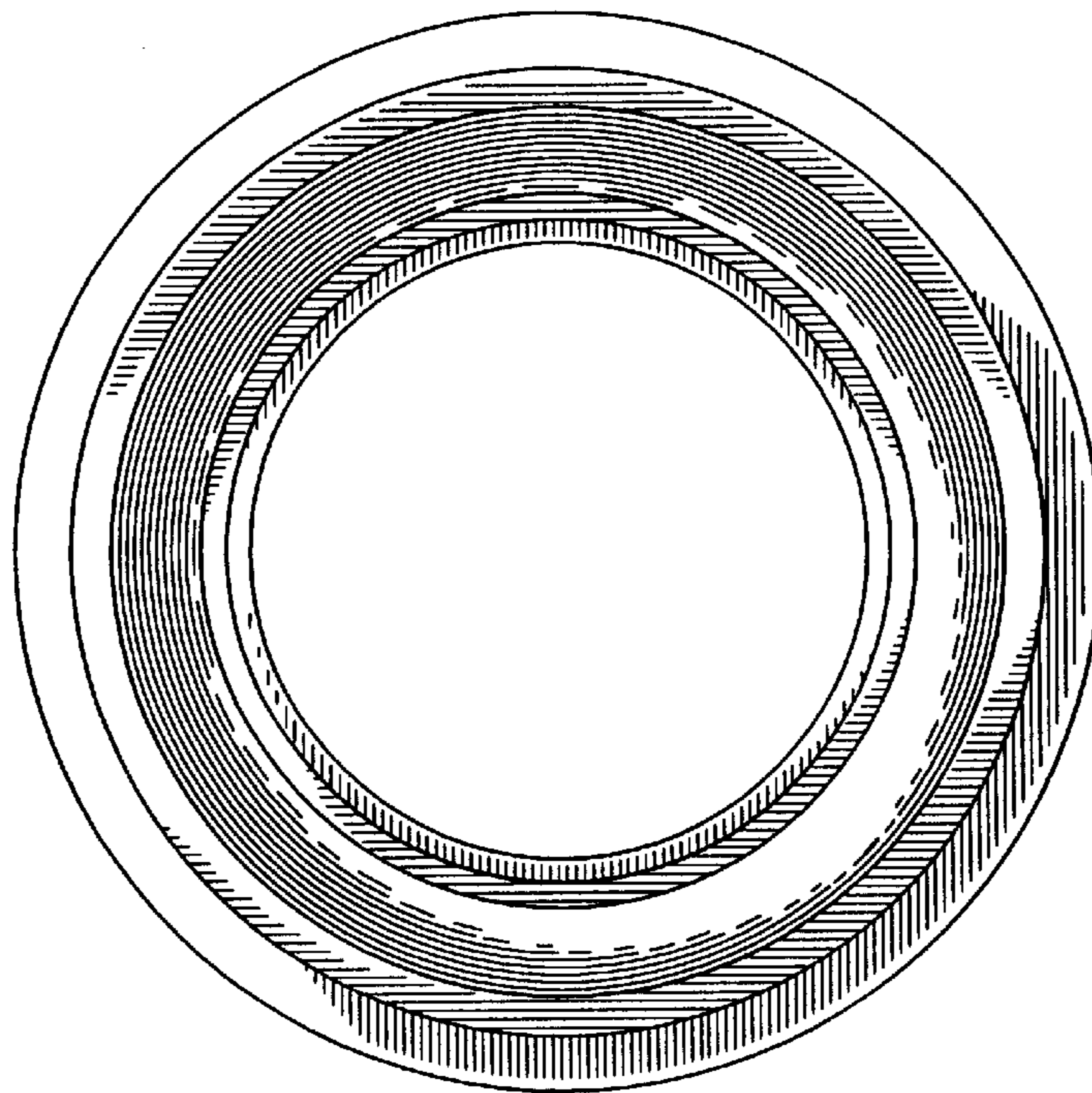


FIG. 2

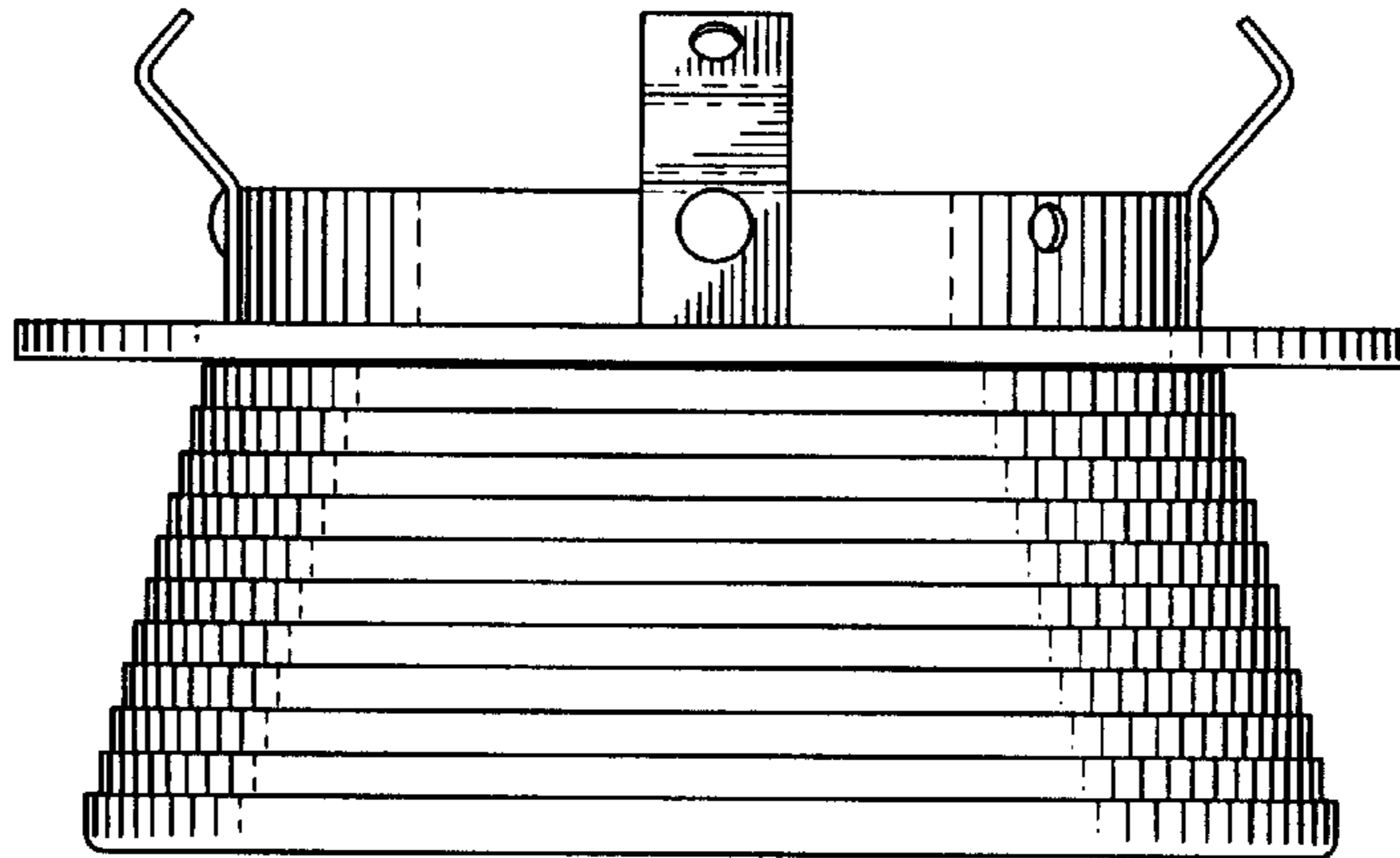


FIG. 3

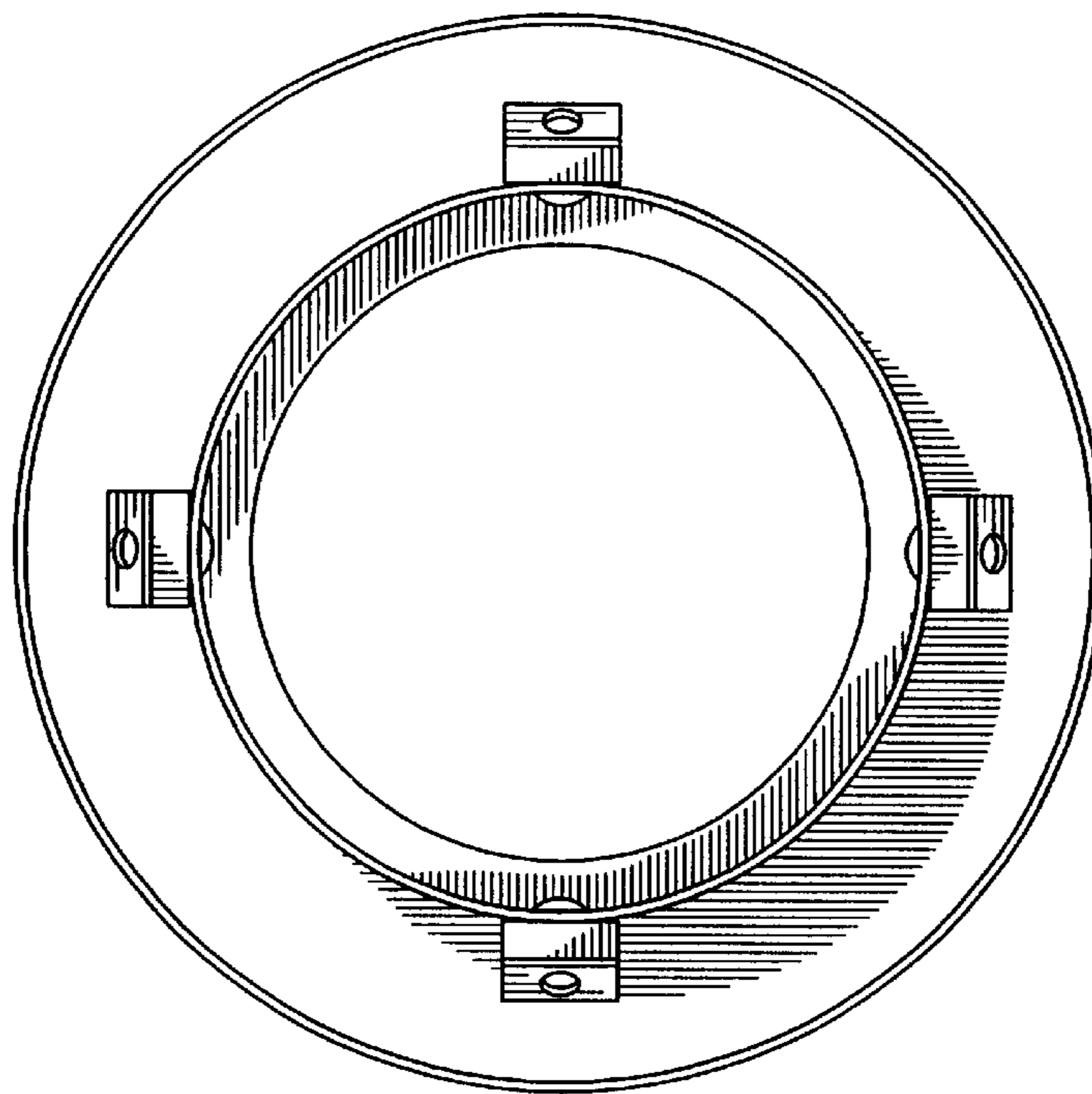


FIG. 4