



US00D474298S

(12) **United States Design Patent**  
**Lecluze**

(10) **Patent No.:** **US D474,298 S**

(45) **Date of Patent:** **\*\* May 6, 2003**

(54) **LIGHT FIXTURE**  
(75) Inventor: **Michel Lecluze**, St-Jean-Chrysostome (CA)  
(73) Assignee: **Eclairage Contraste**, St-Jean-Chrysostome (CA)  
(\*\*) Term: **14 Years**

4,703,406 A \* 10/1987 Elliott et al. .... 362/365  
5,373,431 A \* 12/1994 Hayman et al. .... 362/364  
D380,852 S \* 7/1997 Lecluze ..... D26/118  
D381,111 S \* 7/1997 Lecluze ..... D26/118  
D386,277 S \* 11/1997 Lecluze ..... D26/74  
D387,466 S \* 12/1997 Lecluze ..... D26/118  
D397,472 S \* 8/1998 Lecluze ..... D26/118  
D397,490 S \* 8/1998 Lecluze ..... D26/118  
5,957,572 A \* 9/1999 Wedekind et al. .... 362/365

\* cited by examiner

(21) Appl. No.: **29/163,675**  
(22) Filed: **Jul. 10, 2002**

*Primary Examiner*—Alan P. Douglas  
*Assistant Examiner*—Clare E. Heflin  
(74) *Attorney, Agent, or Firm*—Jean H. Dubuc

(30) **Foreign Application Priority Data**

Jan. 15, 2002 (CA) ..... 2002-0120

(51) **LOC (7) Cl.** ..... **26-05**  
(52) **U.S. Cl.** ..... **D26/74**  
(58) **Field of Search** ..... D26/67, 72, 74,  
D26/80-92, 118, 138, 142, 152; 362/362,  
364, 365, 368, 367, 374, 375, 432, 147,  
404-408

(57) **CLAIM**

The ornamental design for a light fixture, as shown and described.

**DESCRIPTION**

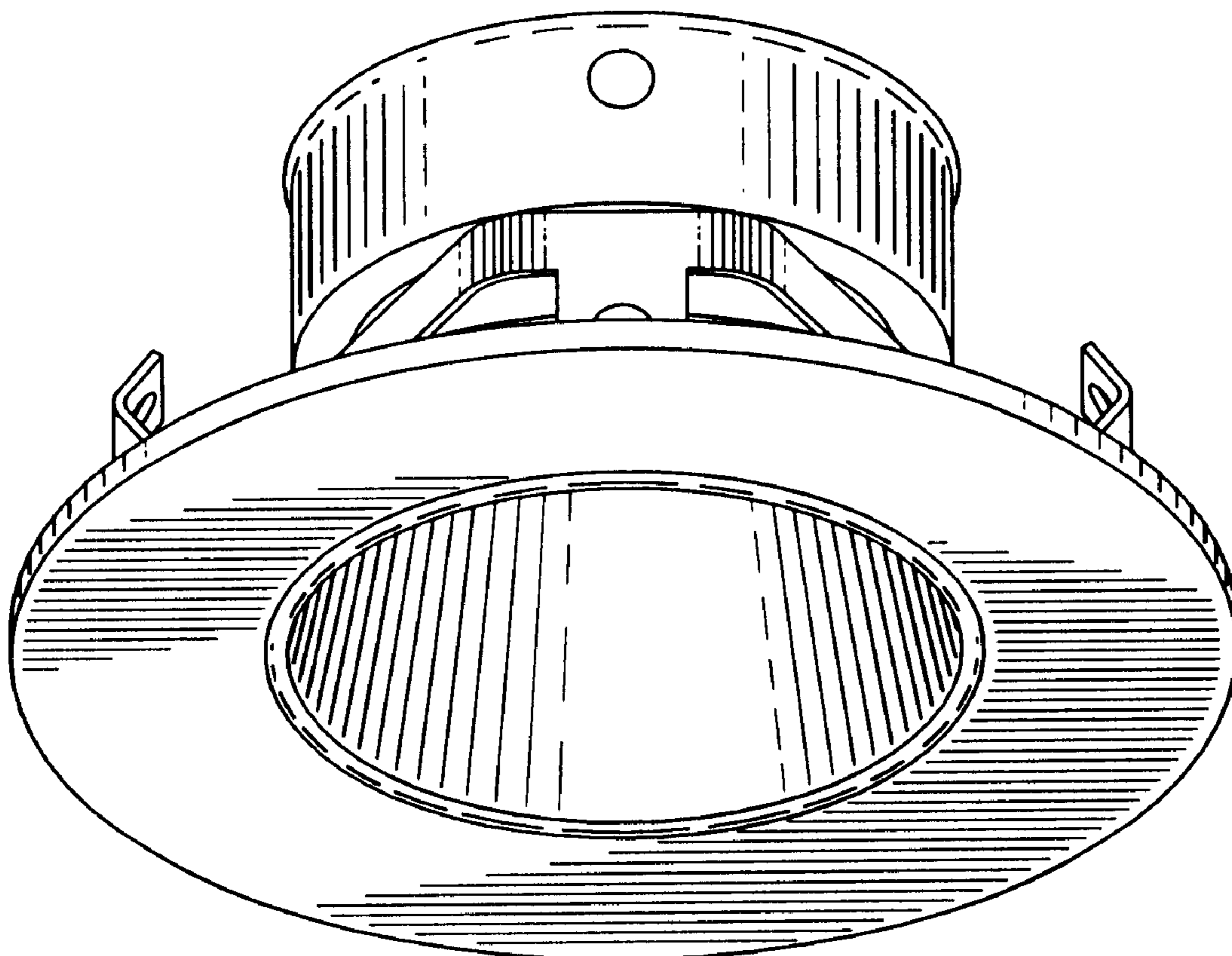
FIG. 1 is a perspective view of a light fixture showing my new design;  
FIG. 2 is a bottom view thereof;  
FIG. 3 is a front view thereof;  
FIG. 4 is a side view thereof;  
FIG. 5 is a rear view thereof; and,  
FIG. 6 is a top view thereof.

(56) **References Cited**

**U.S. PATENT DOCUMENTS**

3,130,949 A \* 4/1964 Erhardt et al. .... 362/365  
3,609,346 A \* 9/1971 Lund et al. .... 362/364  
3,683,173 A \* 8/1972 Guth, Jr. .... 362/366  
4,290,098 A \* 9/1981 Pierson ..... 362/362

**1 Claim, 3 Drawing Sheets**



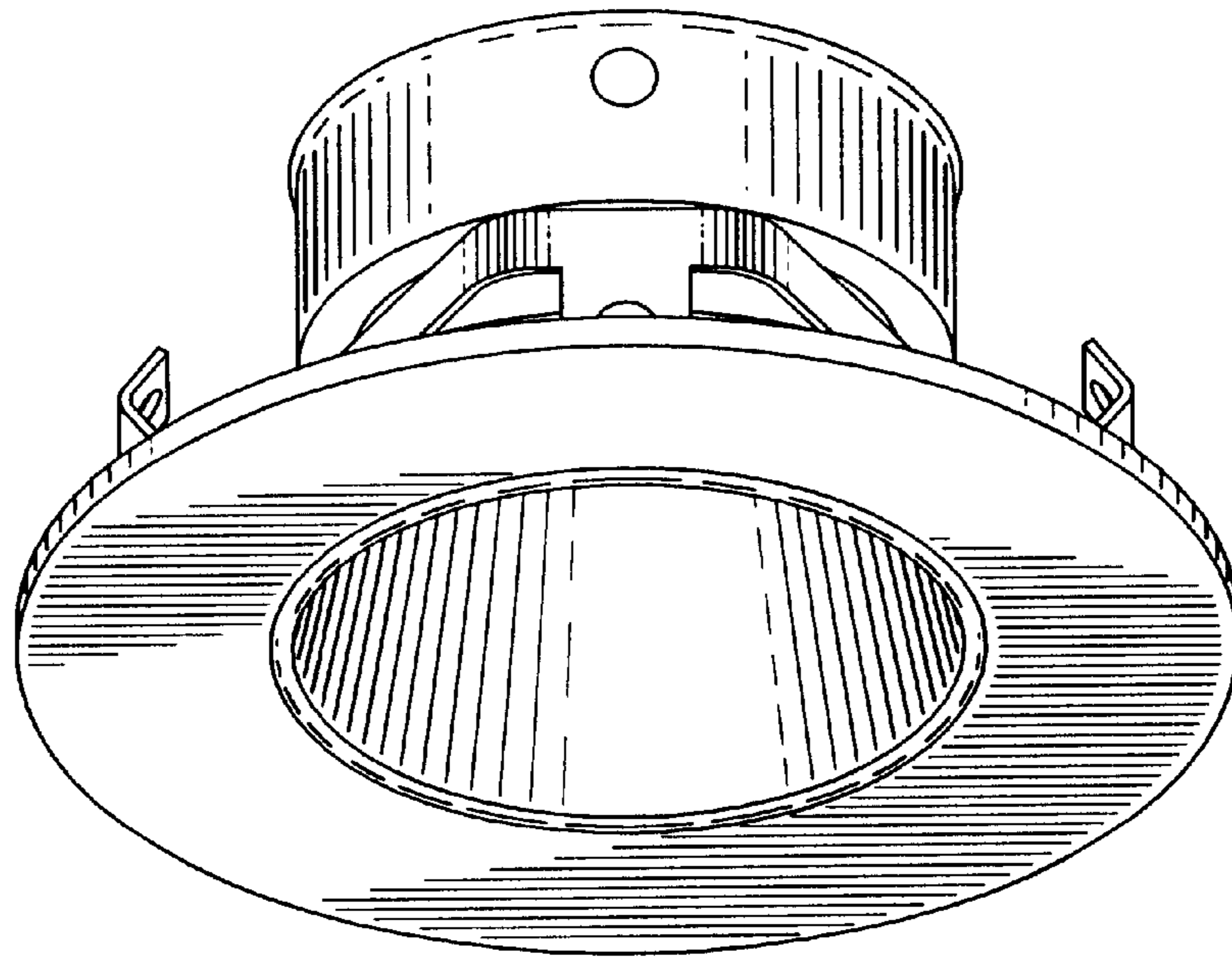


FIG. 1

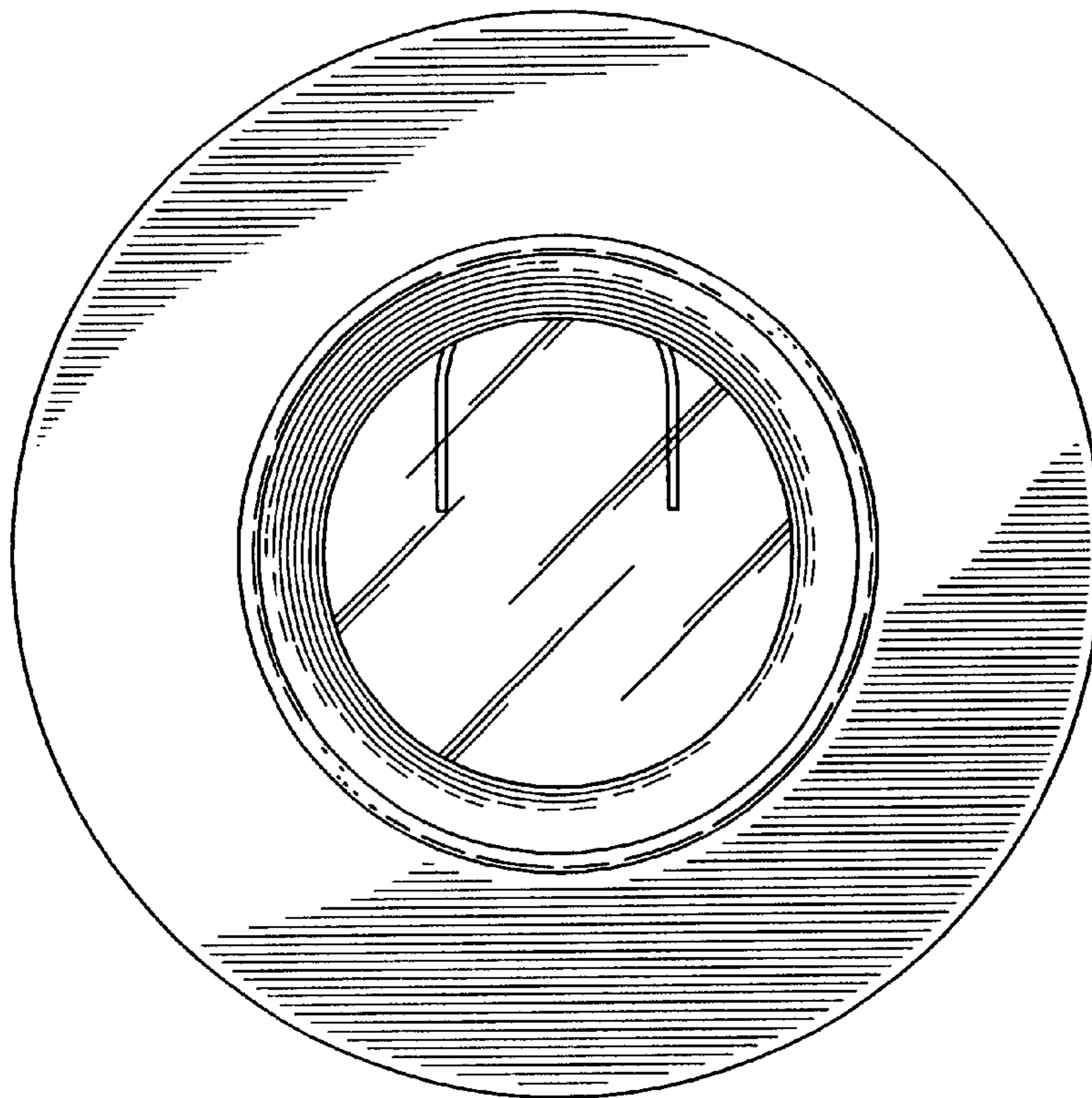


FIG. 2

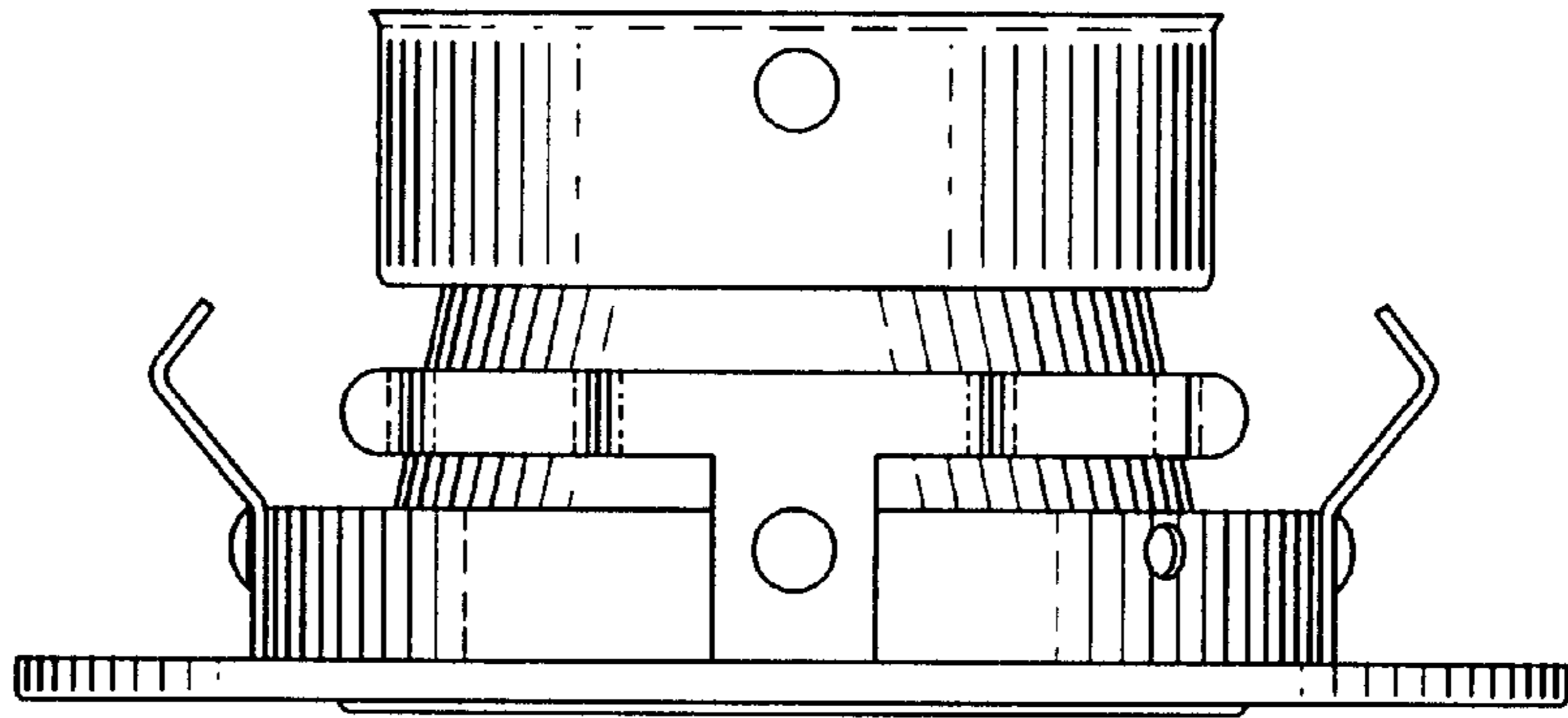


FIG. 3

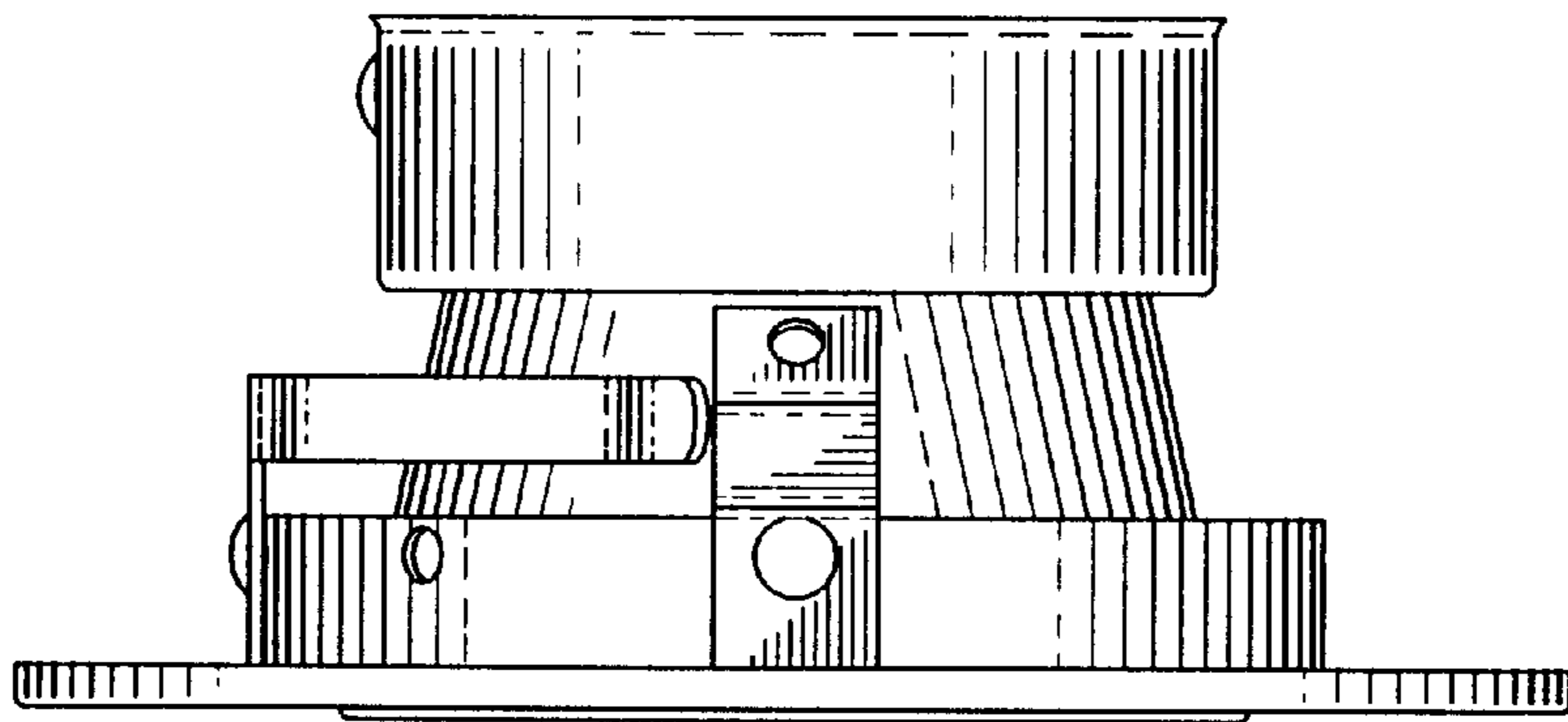


FIG. 4

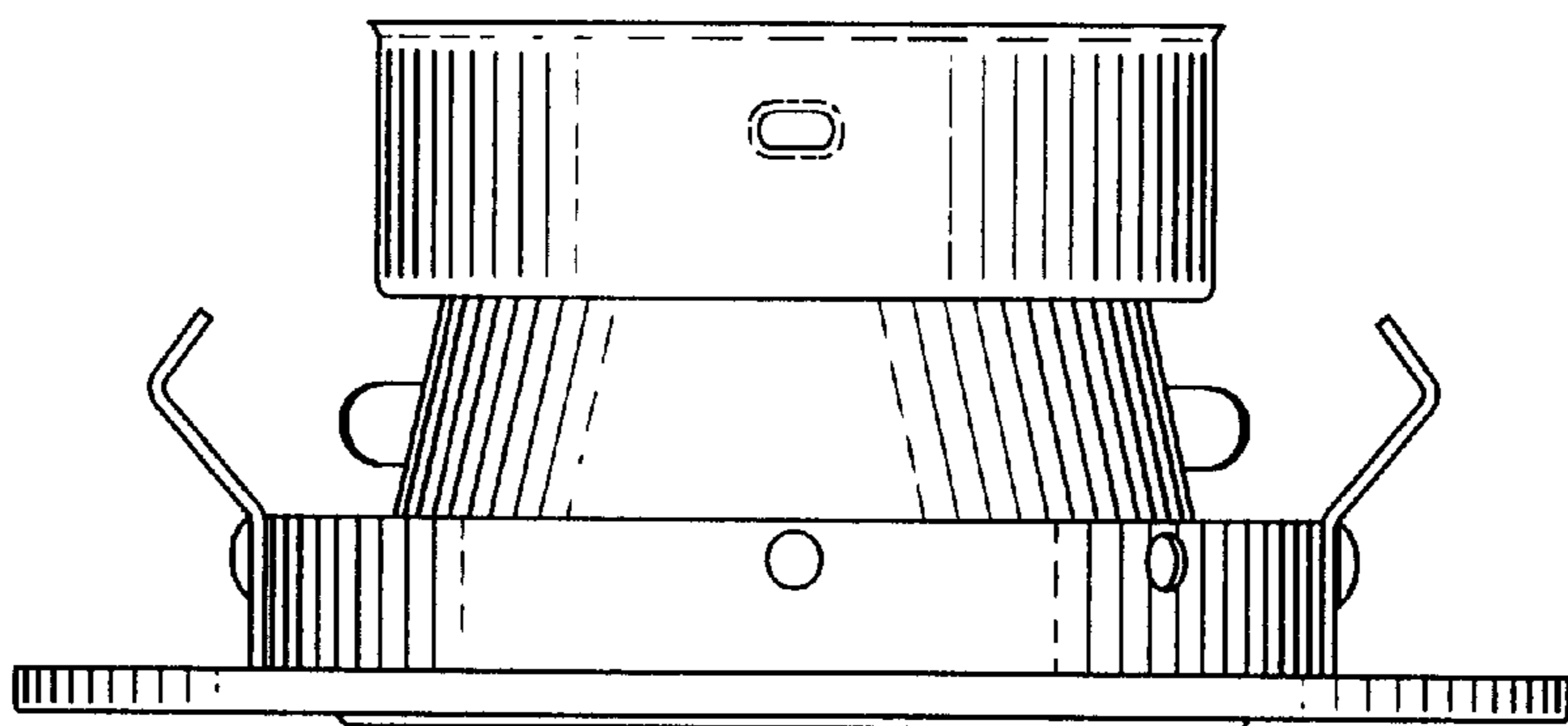


FIG. 5

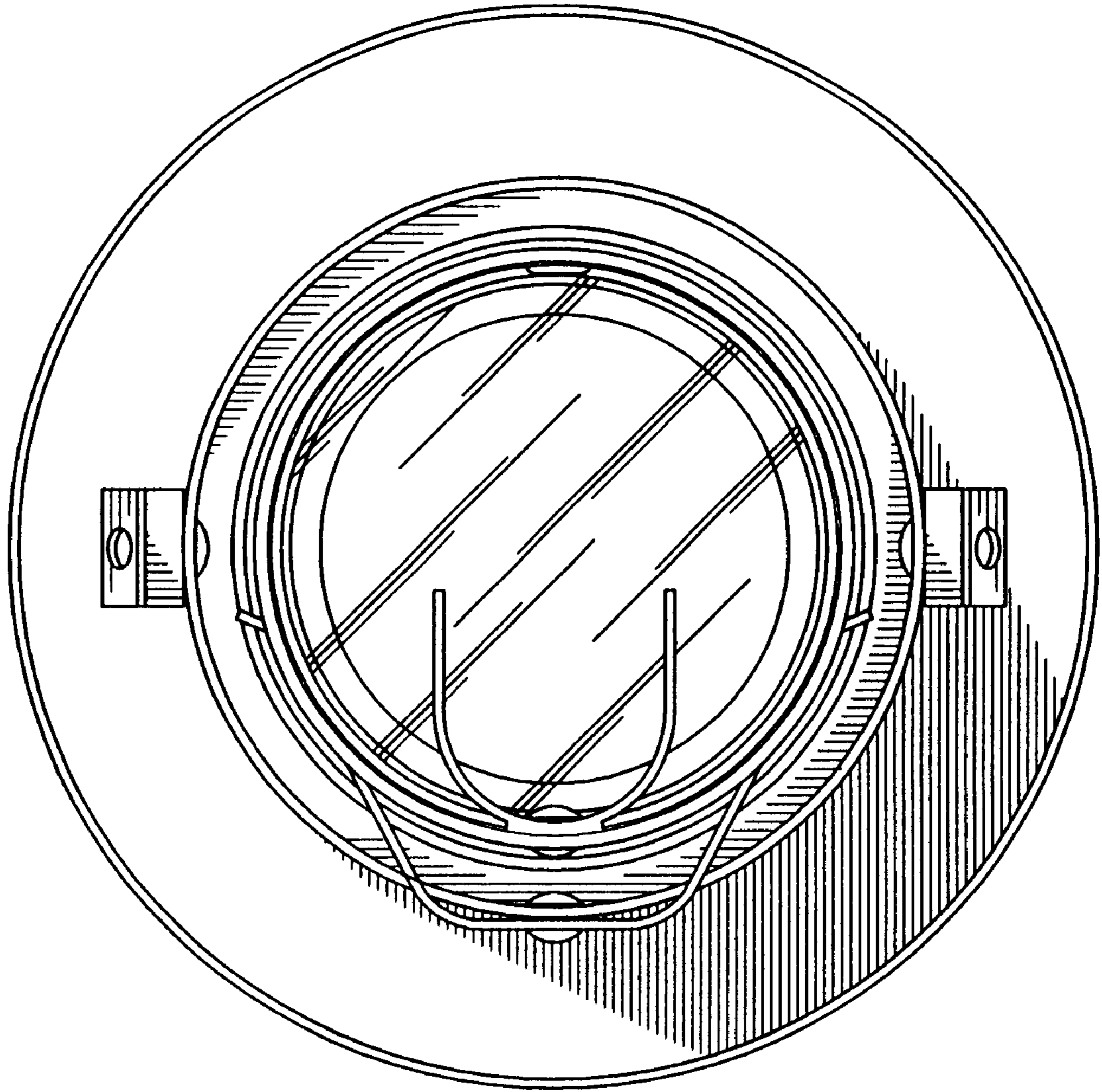


FIG. 6