



US00D474297S

(12) **United States Design Patent**  
**Landefeld et al.**

(10) **Patent No.: US D474,297 S**

(45) **Date of Patent: \*\* May 6, 2003**

(54) **POLYGONAL STEP LIGHT**

**DESCRIPTION**

(75) Inventors: **Cory Landefeld**, Long Beach, CA (US); **Andy McMillan**, Laguna Beach, CA (US)

(73) Assignee: **Architectural Area Lighting, Inc.**, La Mirada, CA (US)

(\*\*) Term: **14 Years**

(21) Appl. No.: **29/148,093**

(22) Filed: **Sep. 14, 2001**

(51) **LOC (7) Cl.** ..... **26-05**

(52) **U.S. Cl.** ..... **D26/67**

(58) **Field of Search** ..... D26/67, 68, 72, D26/74, 85; 362/147, 153, 153.1, 431; 52/159.1

(56) **References Cited**

**U.S. PATENT DOCUMENTS**

D392,407 S \* 3/1998 Johnson et al. .... D26/67  
D421,316 S \* 2/2000 Fiorato ..... D26/67

\* cited by examiner

*Primary Examiner*—Marcus A. Jackson

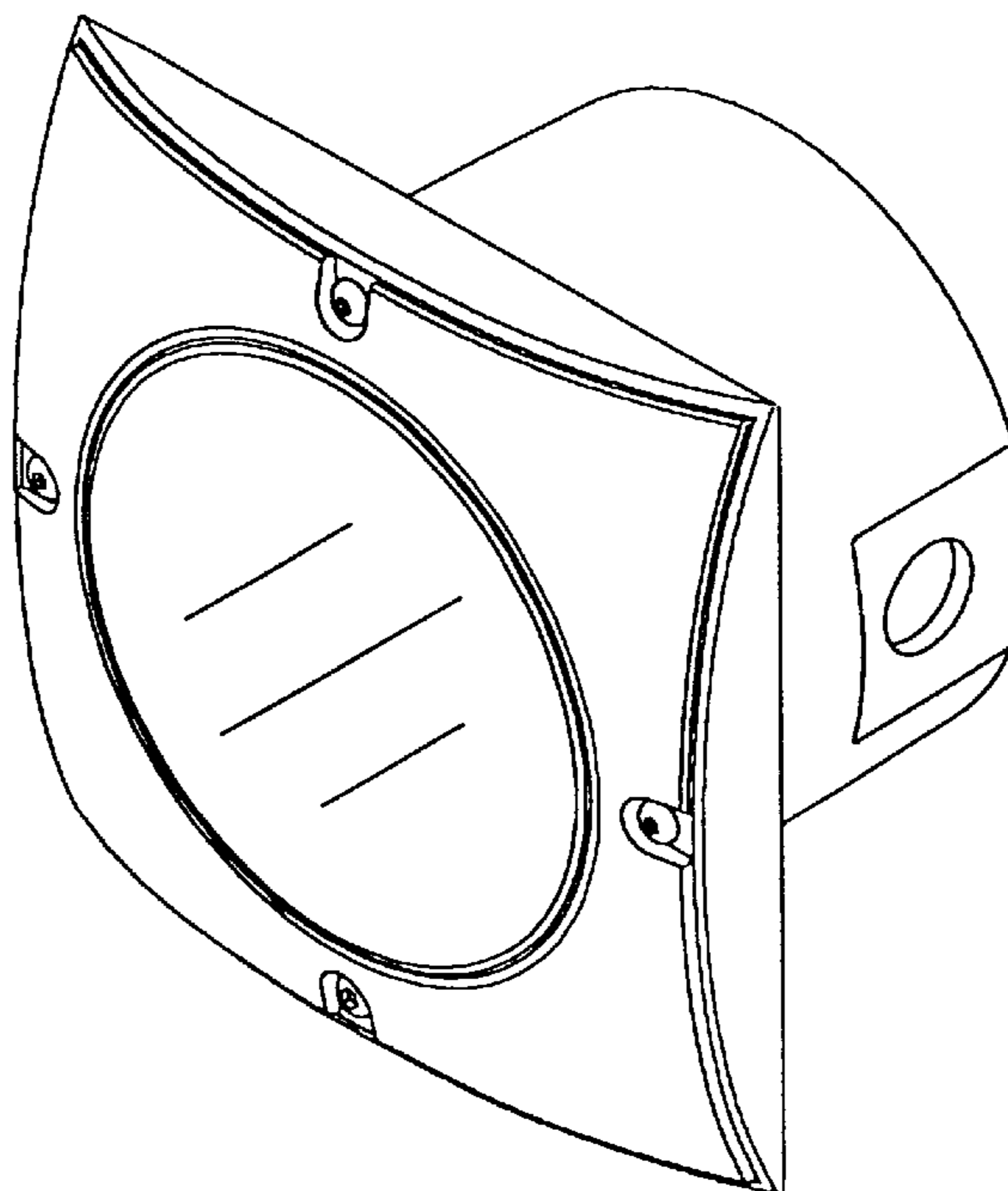
(74) *Attorney, Agent, or Firm*—Milord Keshishzadeh, Esq.; Milord & Associates, P.C.

(57) **CLAIM**

The ornamental design for polygonal step light, as shown and described.

FIG. 1 is a top plan view of a polygonal step light;  
FIG. 2 is a right hand elevational view of the polygonal step light;  
FIG. 3 is a left hand elevational view of the polygonal step light;  
FIG. 4 is a perspective view of the polygonal step light;  
FIG. 5 is a bottom plan view of the polygonal step light;  
FIG. 6 is a top plan view of the polygonal step light showing a second embodiment of the design, the sole difference being a substantially cross shaped member across the front thereof;  
FIG. 7 is a right hand elevational view of the polygonal step light showing a second embodiment of the design, the sole difference being a substantially cross shaped member across the front thereof;  
FIG. 8 is a left hand elevational of the annular step light showing a second embodiment of the design, the sole difference being a substantially cross shaped member across the front thereof;  
FIG. 9 is a perspective view of the polygonal step light showing a second embodiment of the design, the sole difference being a substantially cross shaped member across the front thereof; and,  
FIG. 10 is a bottom plan view of the polygonal step light showing a second embodiment of the design, the sole difference being a substantially cross shaped member across the front thereof.

**1 Claim, 2 Drawing Sheets**



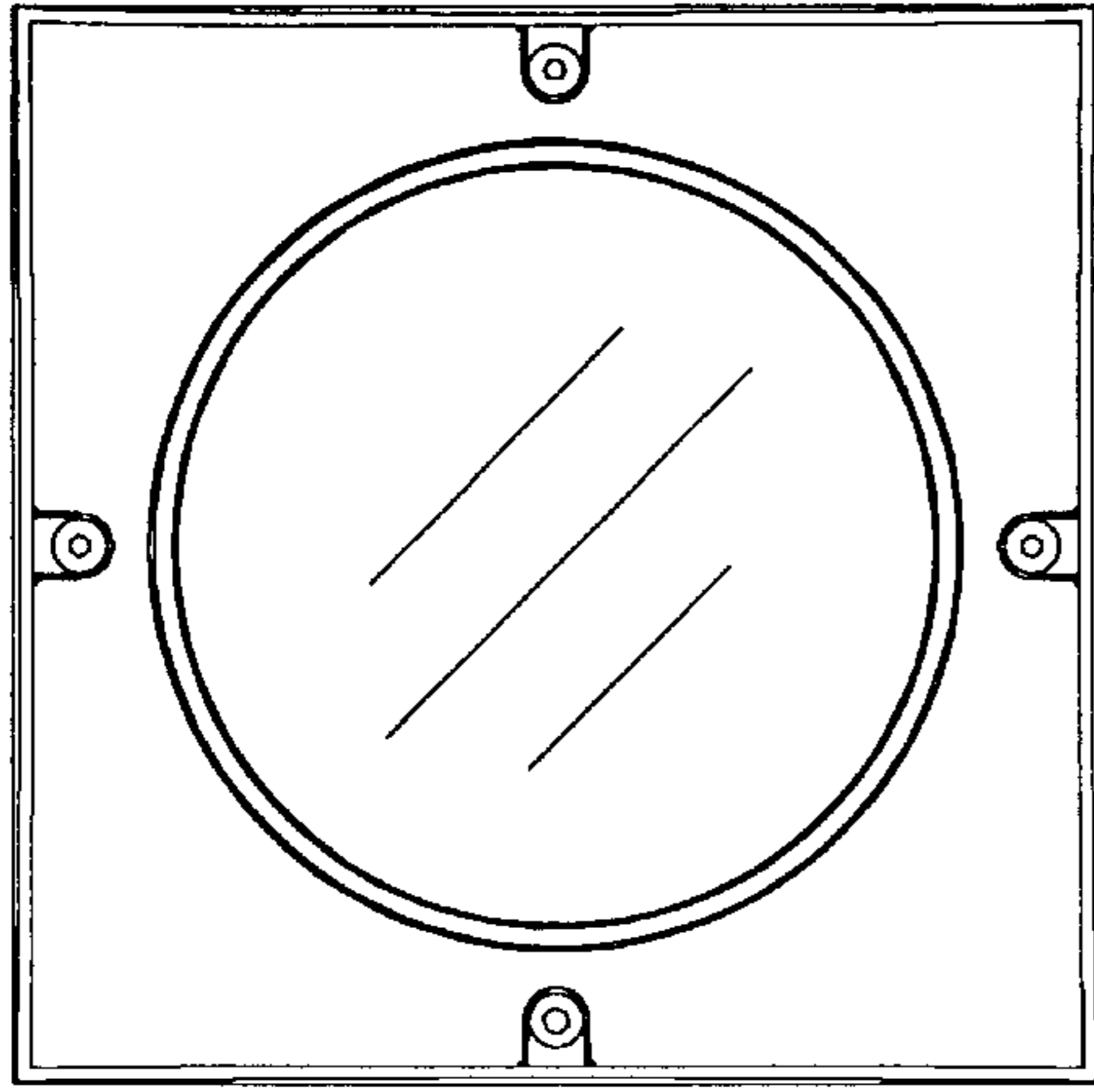


FIG. 1

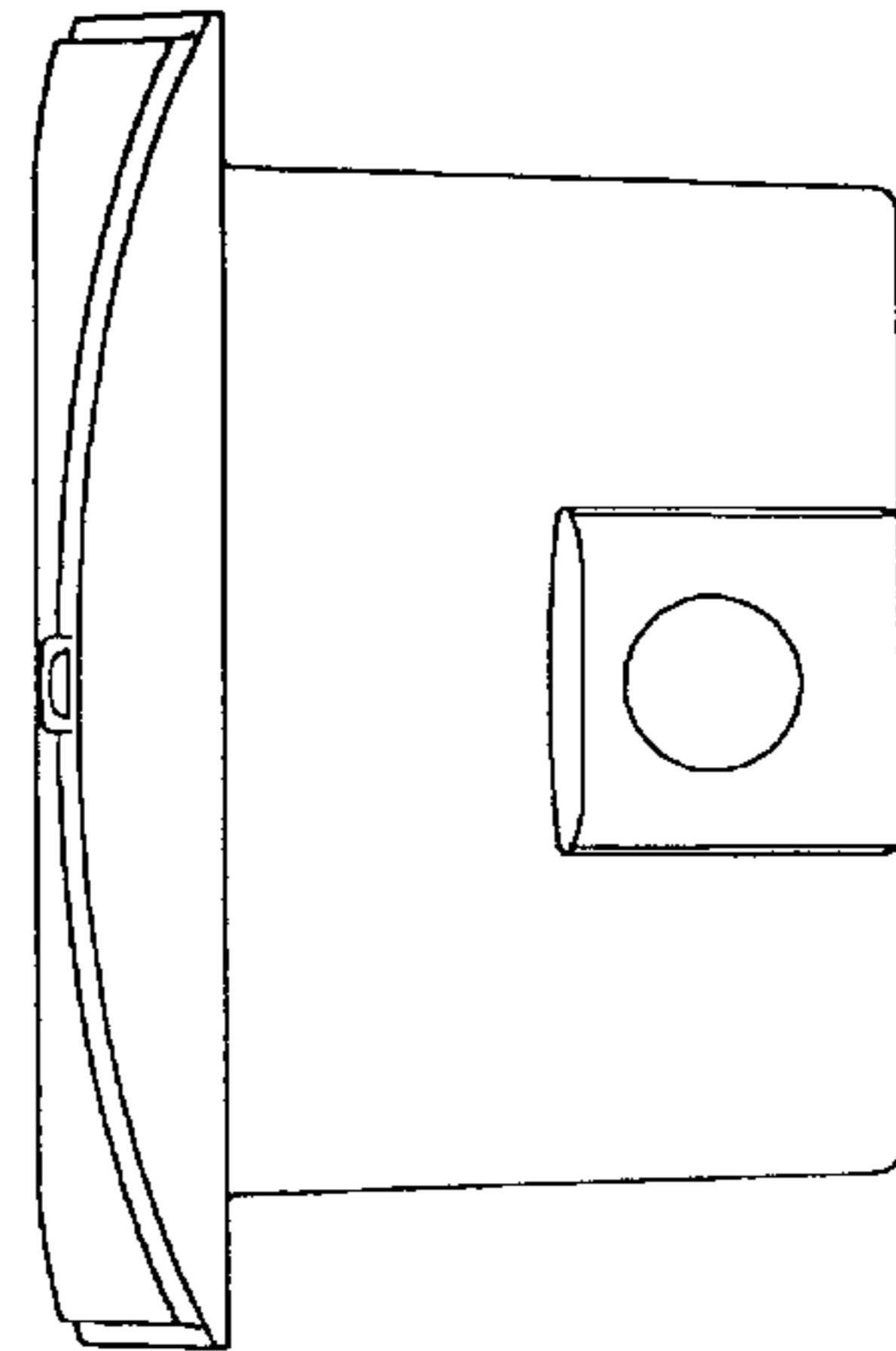


FIG. 2

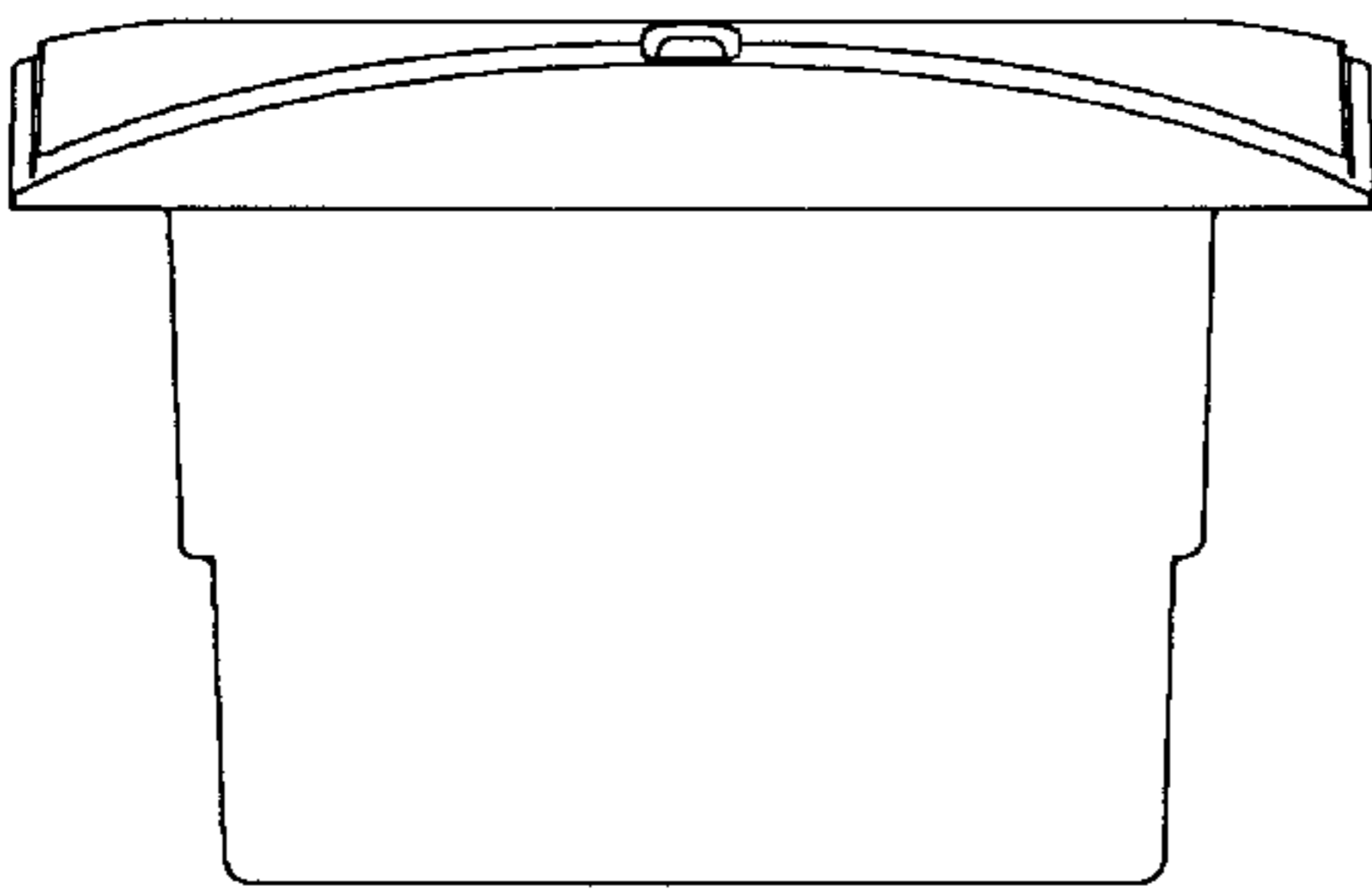


FIG. 3

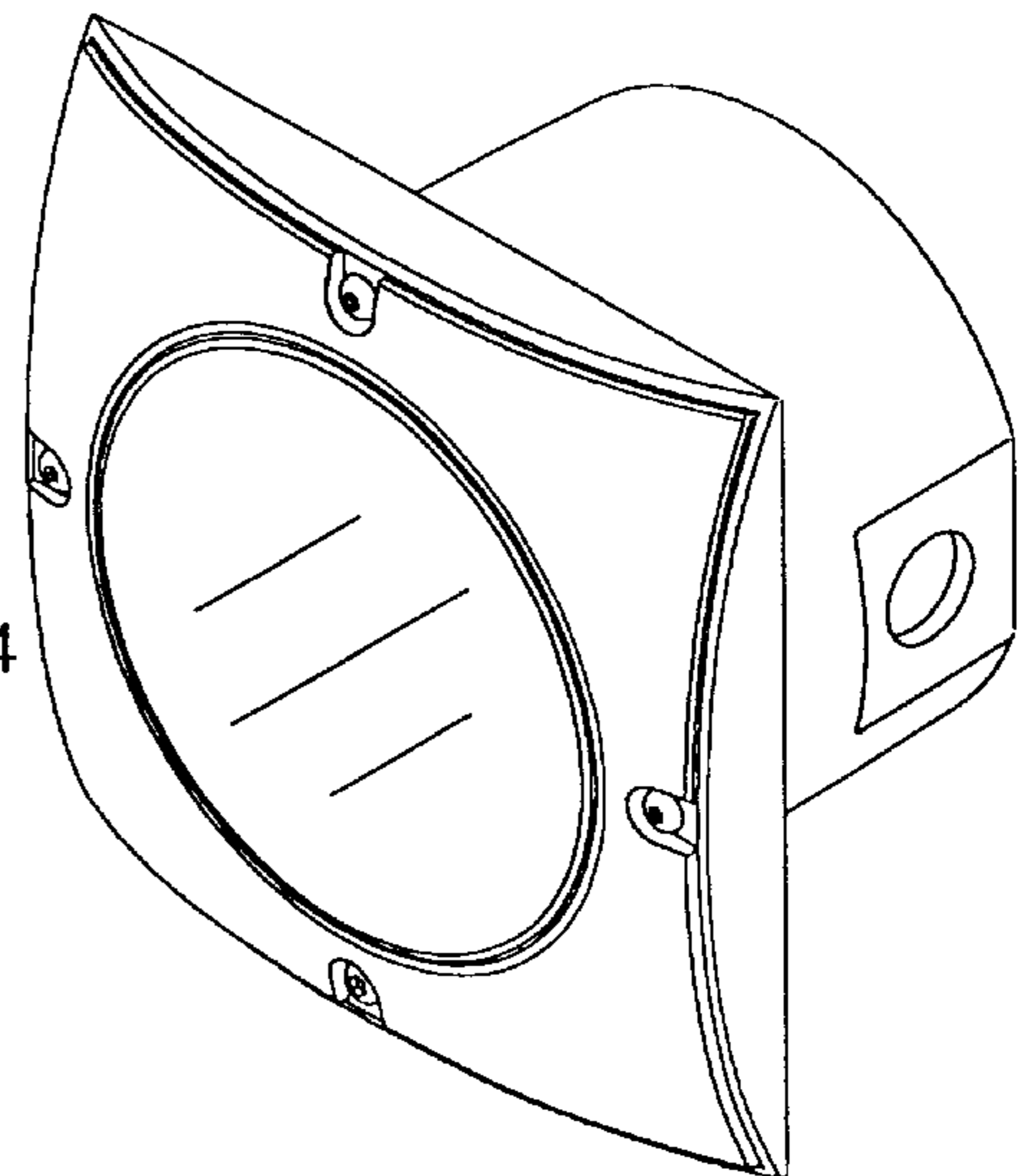


FIG. 4

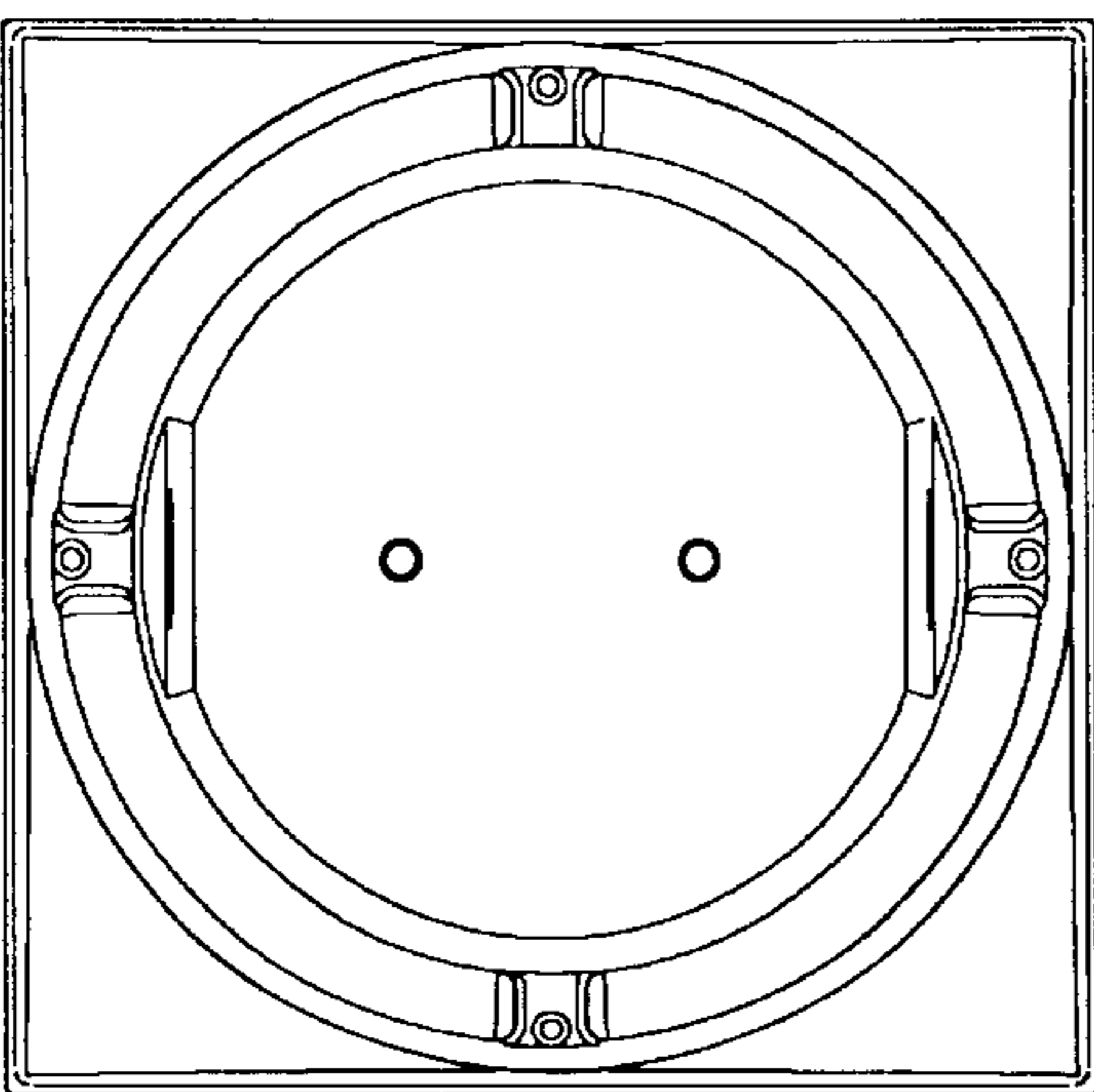


FIG. 5

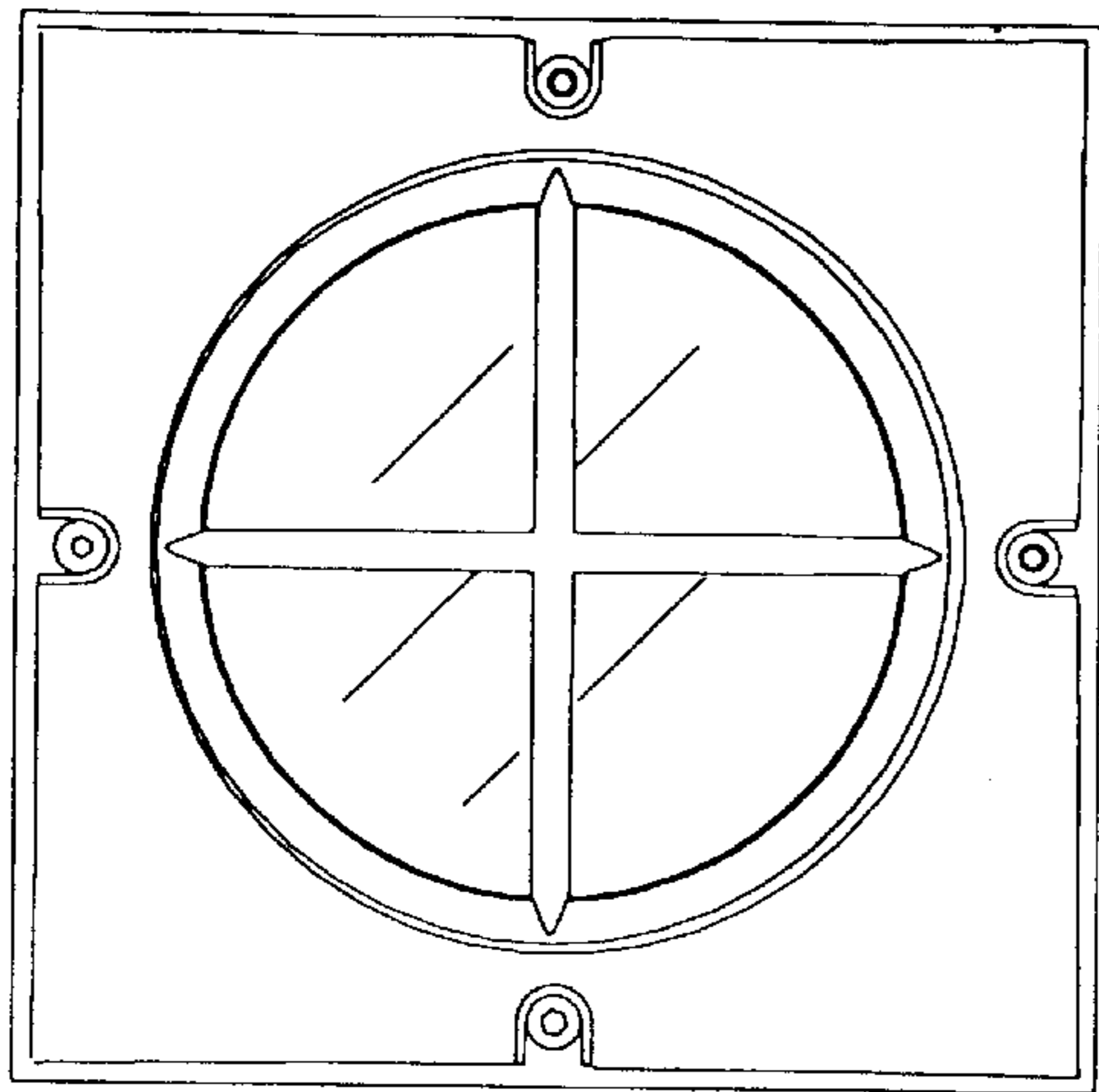


FIG. 6

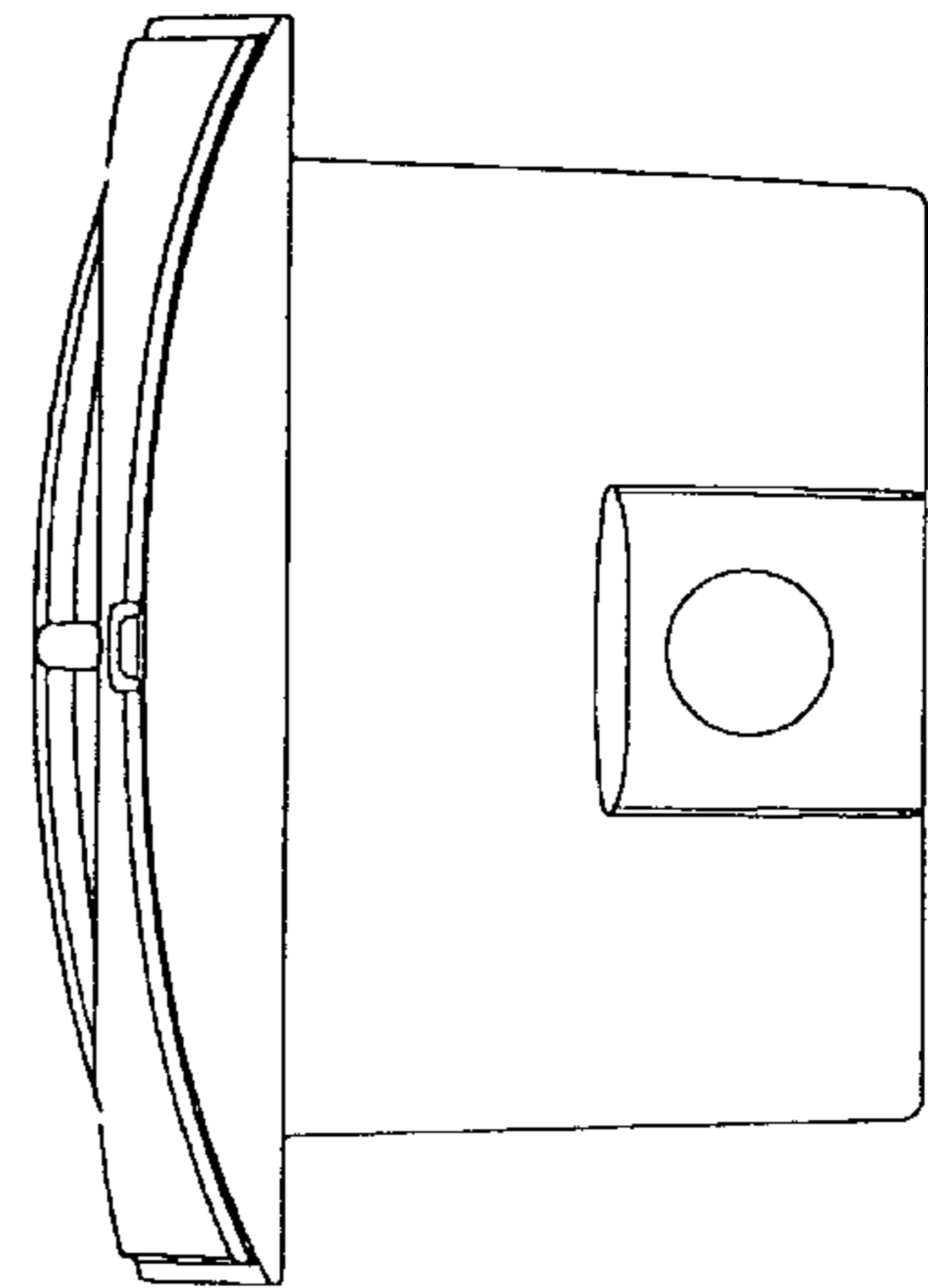


FIG. 7

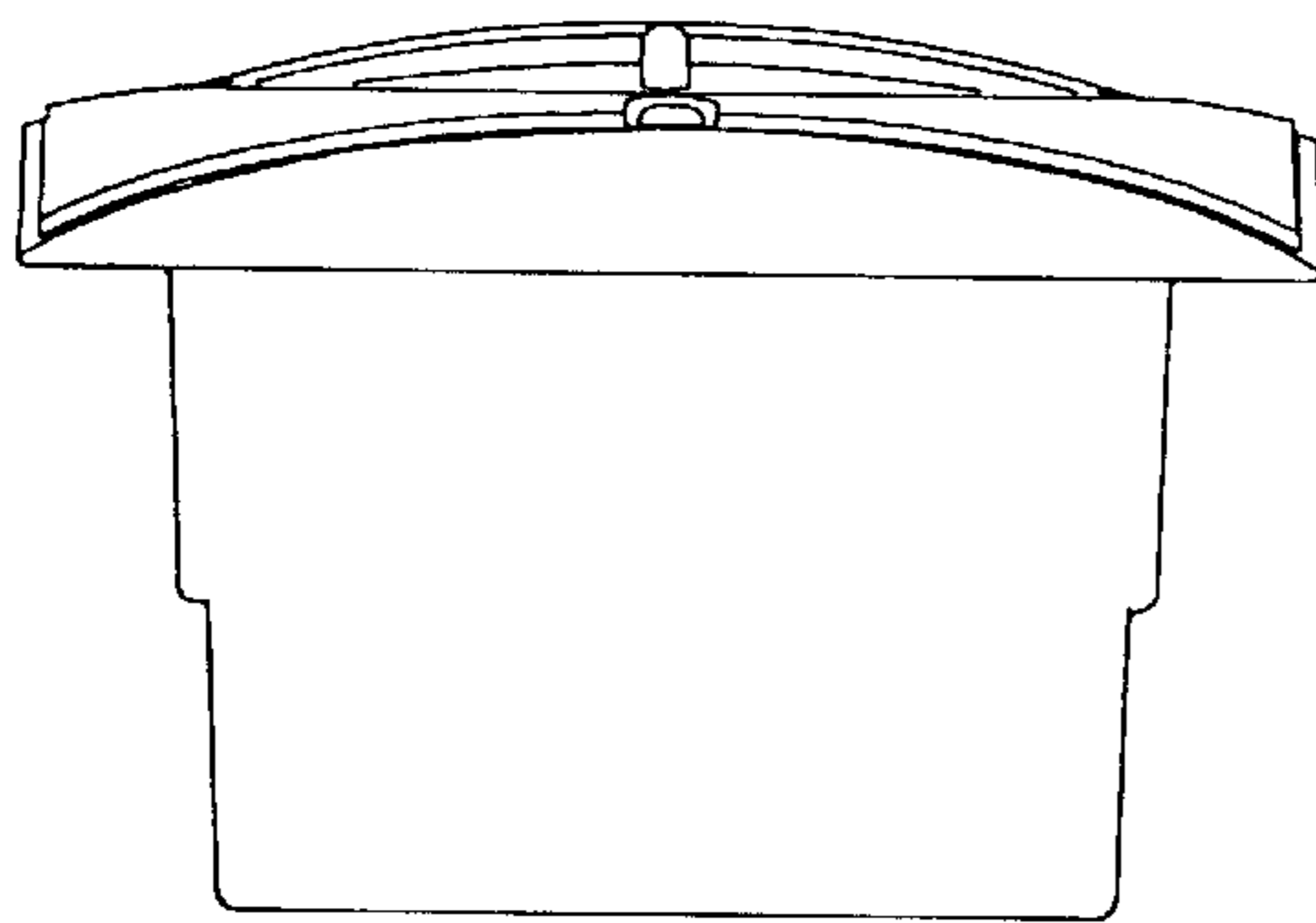


FIG. 8

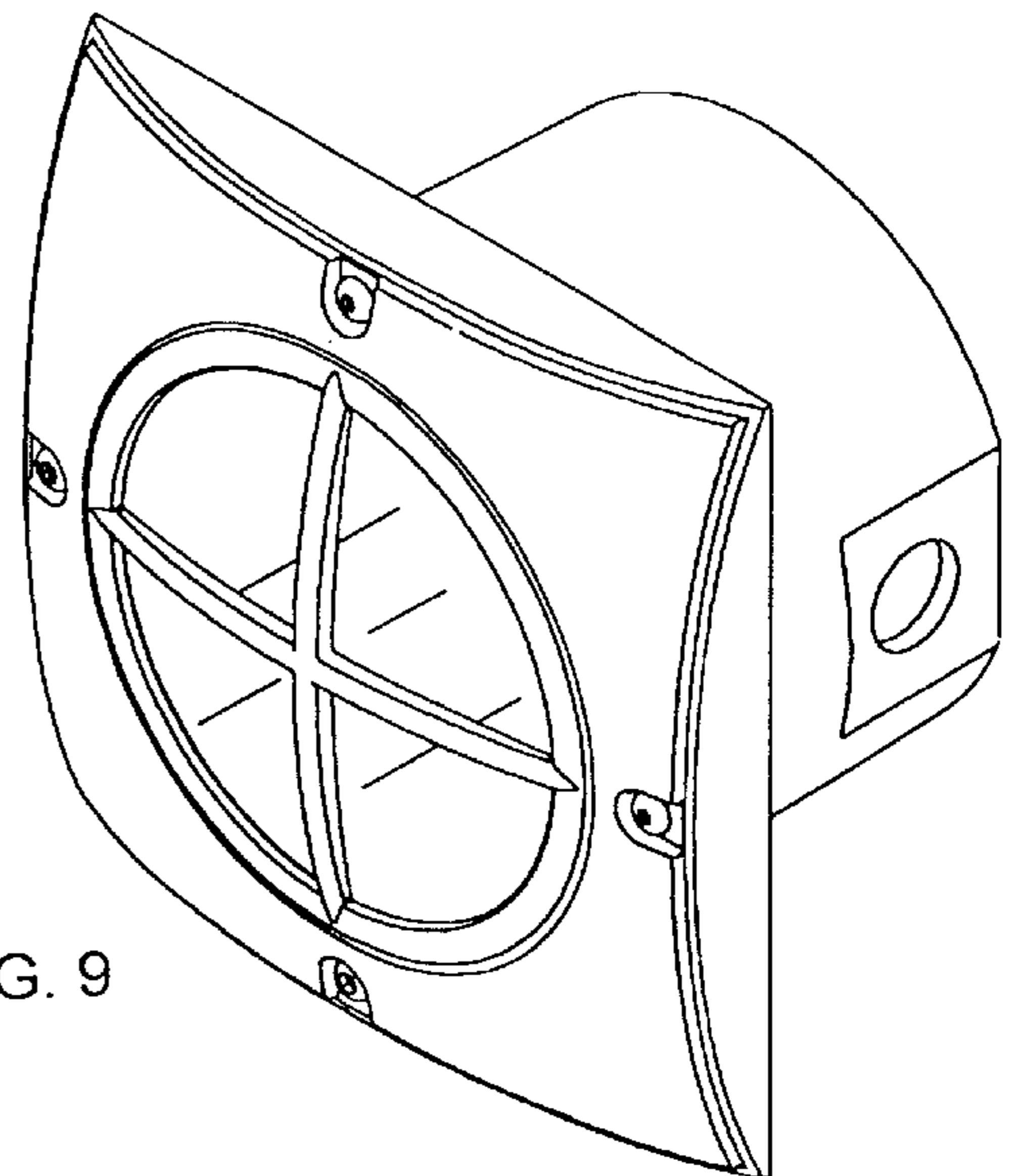


FIG. 9

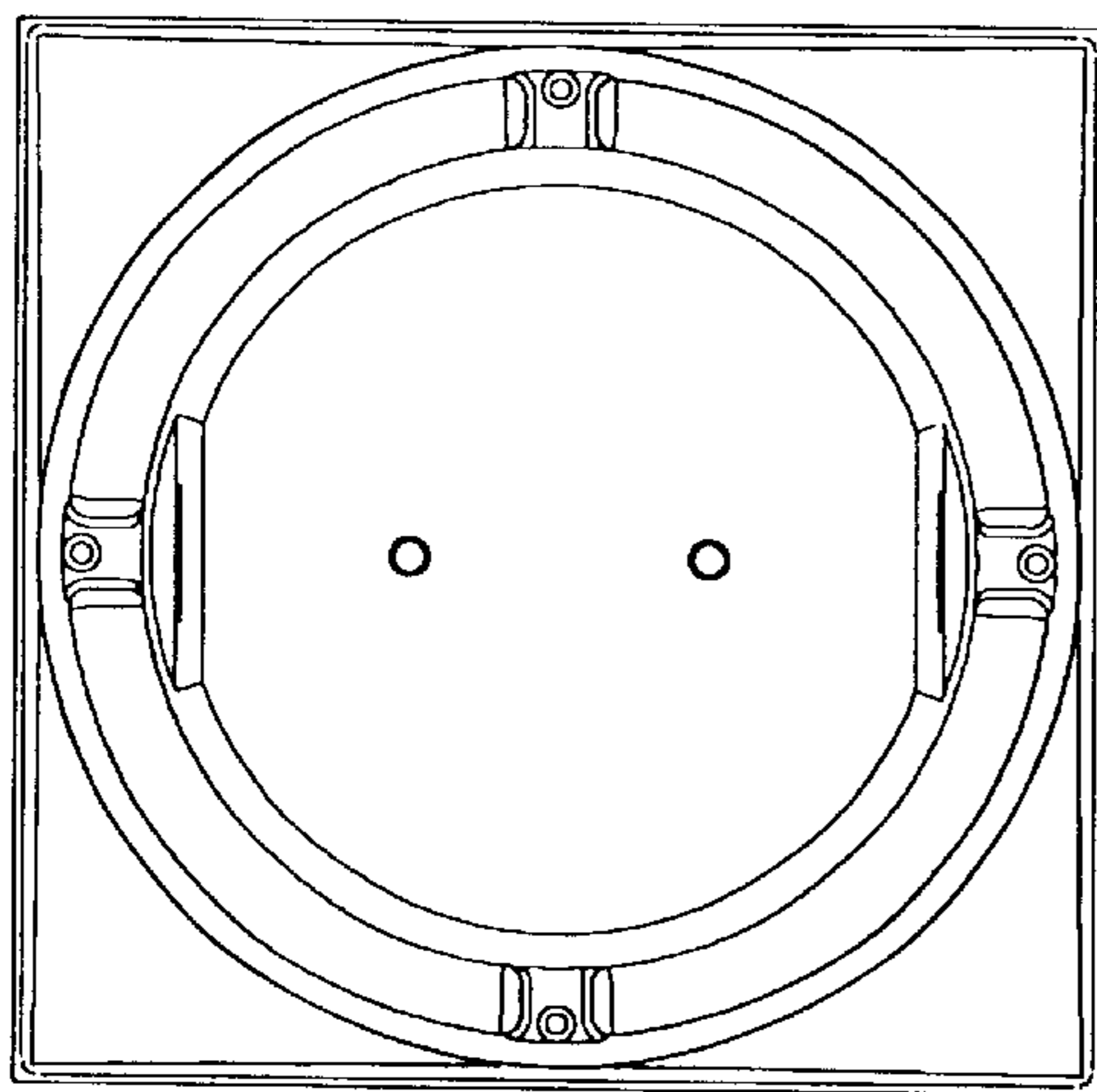


FIG. 10