



US00D474296S

(12) **United States Design Patent**
Shen

(10) **Patent No.:** **US D474,296 S**

(45) **Date of Patent:** **** May 6, 2003**

(54) **COMPUTER LAMP**

(75) Inventor: **Zhiming Shen**, Shangyu (CN)

(73) Assignee: **Shangyu Sunlit Electric Appliance for Illumination Co., Ltd.**, Shangyu (CN)

(**) Term: **14 Years**

(21) Appl. No.: **29/158,462**

(22) Filed: **Apr. 5, 2002**

(30) **Foreign Application Priority Data**

Oct. 12, 2001 (CN) 01341949

(51) **LOC (7) Cl.** **26-05**

(52) **U.S. Cl.** **D26/60**

(58) **Field of Search** D26/60-71; D14/432;
362/269, 270, 274, 275, 277, 278, 281,
283-286, 289, 401, 402, 423, 427

(56) **References Cited**

U.S. PATENT DOCUMENTS

D418,240 S * 12/1999 Sherman D26/63
D428,179 S * 7/2000 Huang D26/65

D430,686 S * 9/2000 Gismondi D26/63
D441,476 S * 5/2001 Mendelsohn et al. D26/63
D457,672 S * 5/2002 Tsai D26/62

* cited by examiner

Primary Examiner—Alan P. Douglas

Assistant Examiner—Clare E. Heflin

(74) *Attorney, Agent, or Firm*—Dickinson Wright PLLC

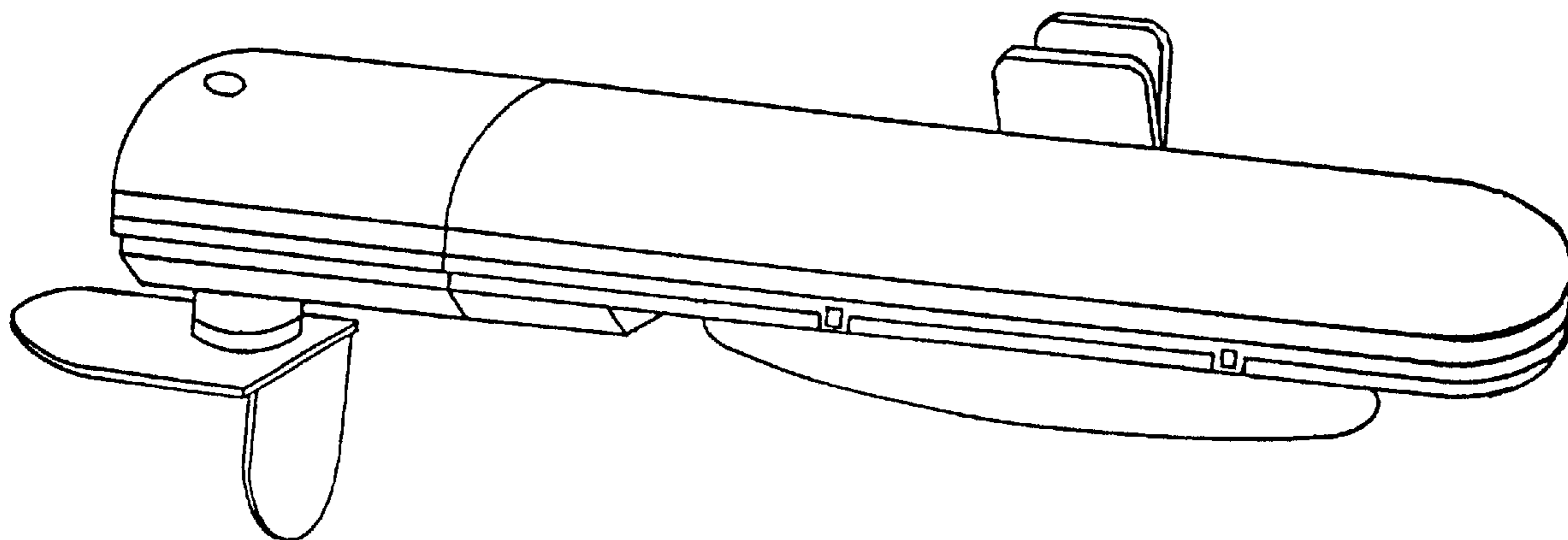
(57) **CLAIM**

The ornamental design for a computer lamp, as shown and described.

DESCRIPTION

FIG. 1 is a perspective view of a computer lamp showing my new design;
FIG. 2 is a front view of the computer lamp of FIG. 1;
FIG. 3 is a rear view of the computer lamp of FIG. 1;
FIG. 4 is a top view of the computer lamp of FIG. 1;
FIG. 5 is a bottom view of the computer lamp of FIG. 1;
FIG. 6 is a right side view of the computer lamp of FIG. 1;
and,
FIG. 7 is a left side view of the computer lamp of FIG. 1.

1 Claim, 4 Drawing Sheets



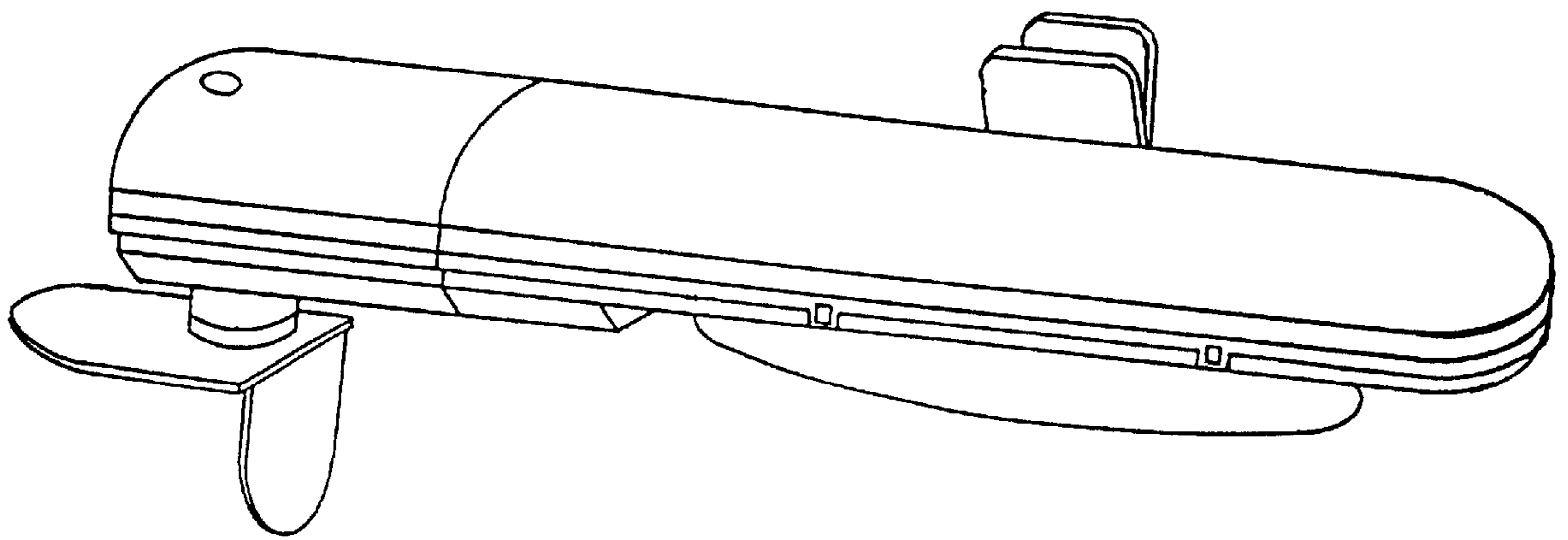


FIG. 1

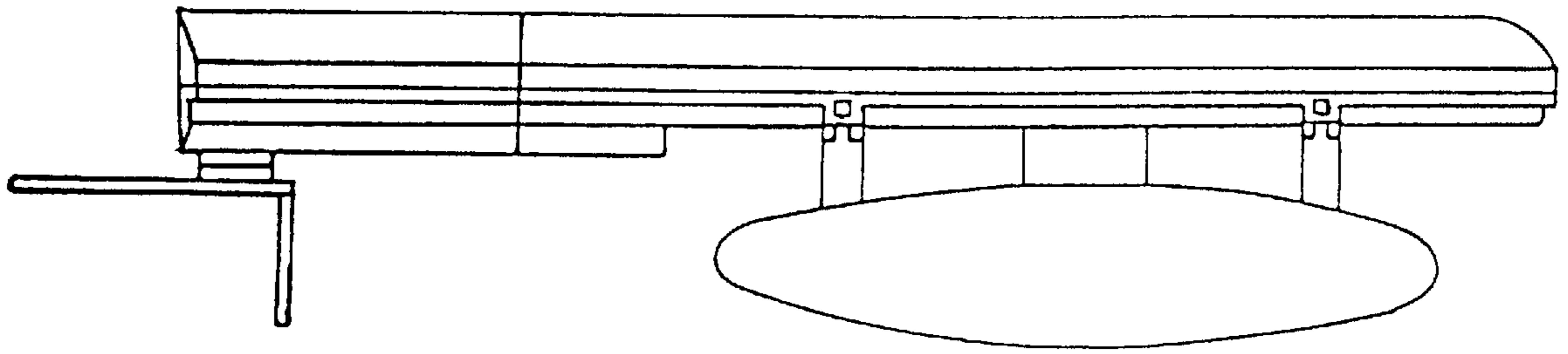


FIG. 2

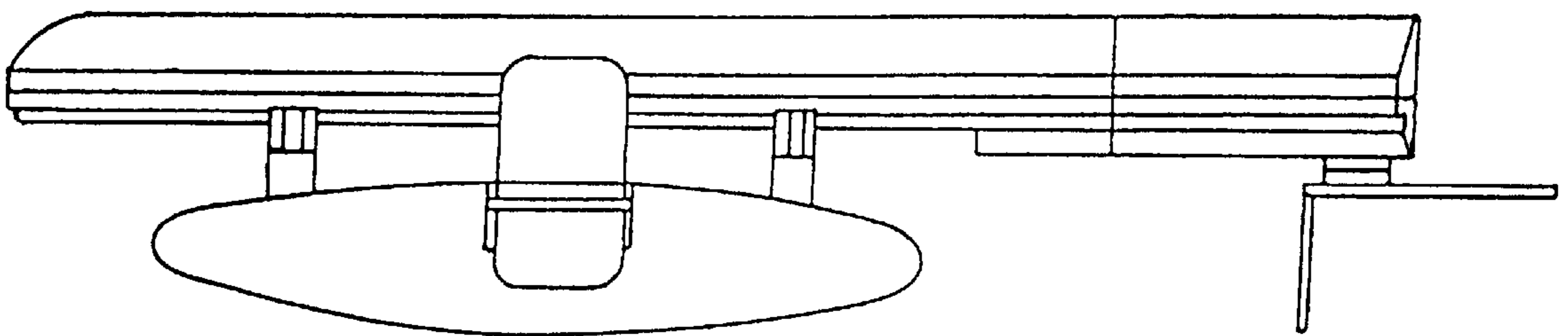


FIG. 3

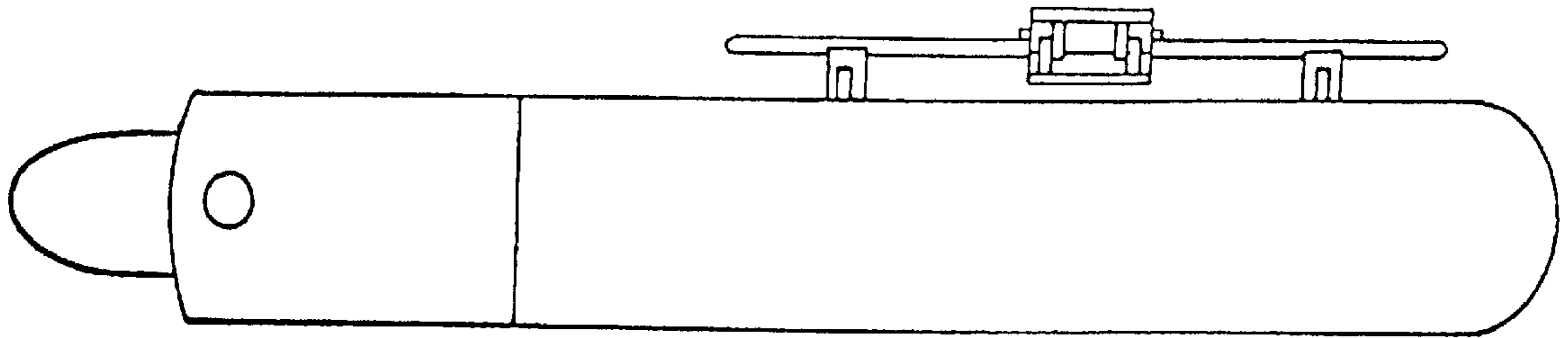


FIG. 4

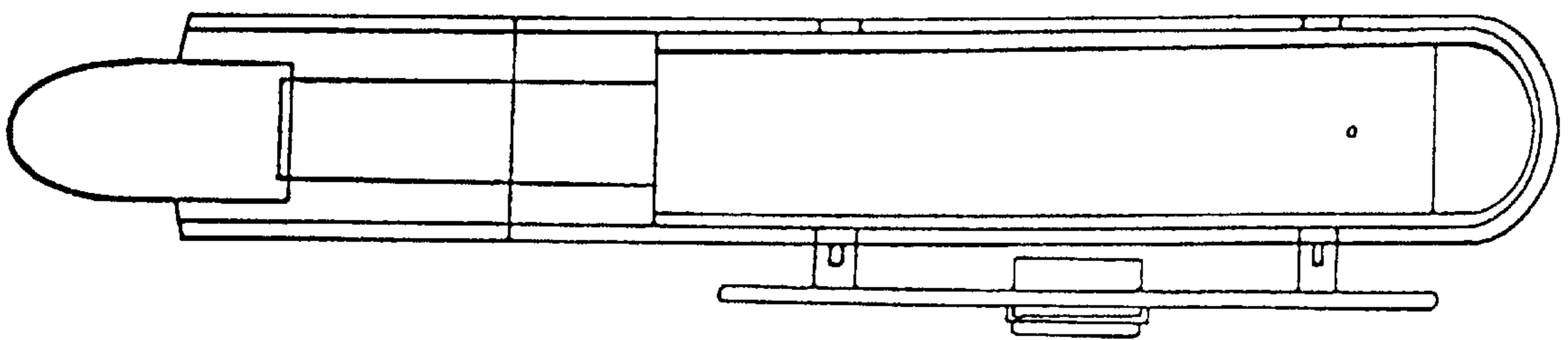


FIG. 5

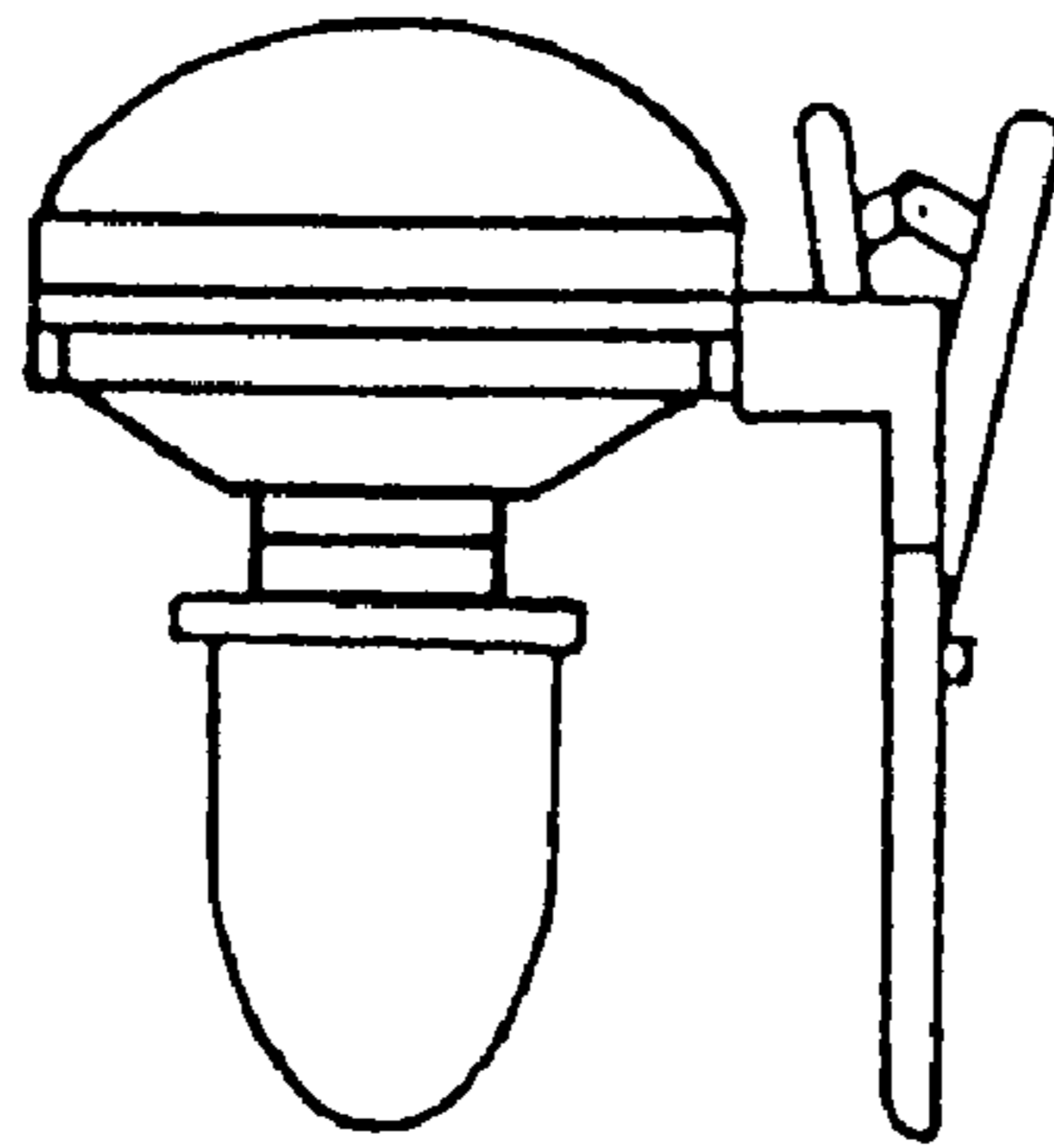


FIG. 6

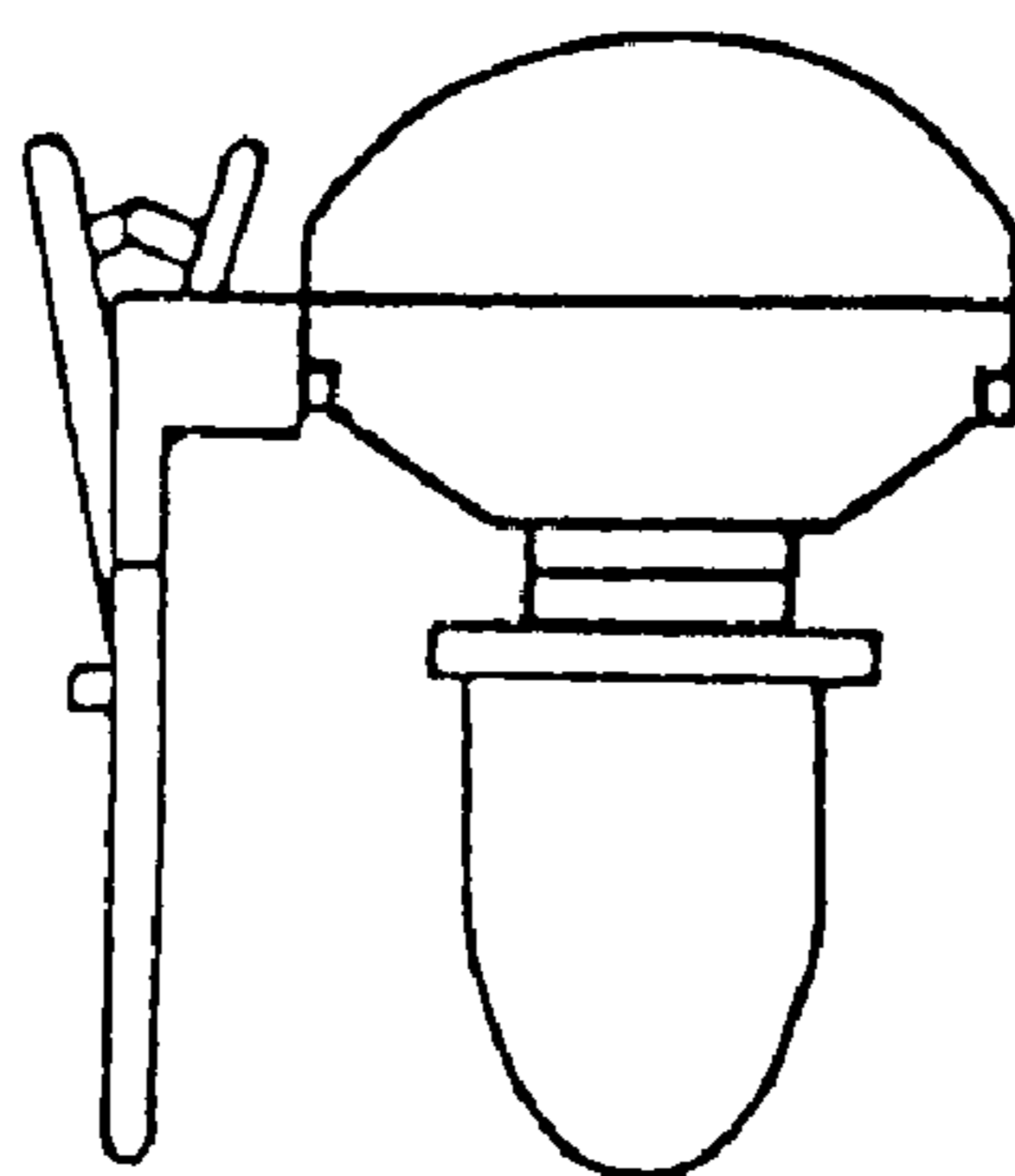


FIG. 7