



US00D474295S

(12) **United States Design Patent**
Bruwer

(10) **Patent No.:** **US D474,295 S**

(45) **Date of Patent:** **** May 6, 2003**

(54) **FLASHLIGHT**

(75) Inventor: **Frederick Johannes Bruwer, Paarl (ZA)**

(73) Assignee: **Azoteq (Pty) Limited, Paarl (ZA)**

(**) Term: **14 Years**

(21) Appl. No.: **29/160,786**

(22) Filed: **May 17, 2002**

(51) **LOC (7) Cl.** **26-02**

(52) **U.S. Cl.** **D26/37**

(58) **Field of Search** **D26/37-50; 362/157, 362/158, 171, 173, 183-208**

(56) **References Cited**

U.S. PATENT DOCUMENTS

D421,657 S	*	3/2000	Siebert	D26/37
D428,504 S	*	7/2000	Saunders	D26/49
D434,164 S	*	11/2000	Galli	D26/49
D454,968 S		3/2002	Dair et al.		
D455,510 S	*	4/2002	Galli	D26/37

* cited by examiner

Primary Examiner—Marcus A. Jackson

(74) *Attorney, Agent, or Firm*—Young & Thompson

(57) **CLAIM**

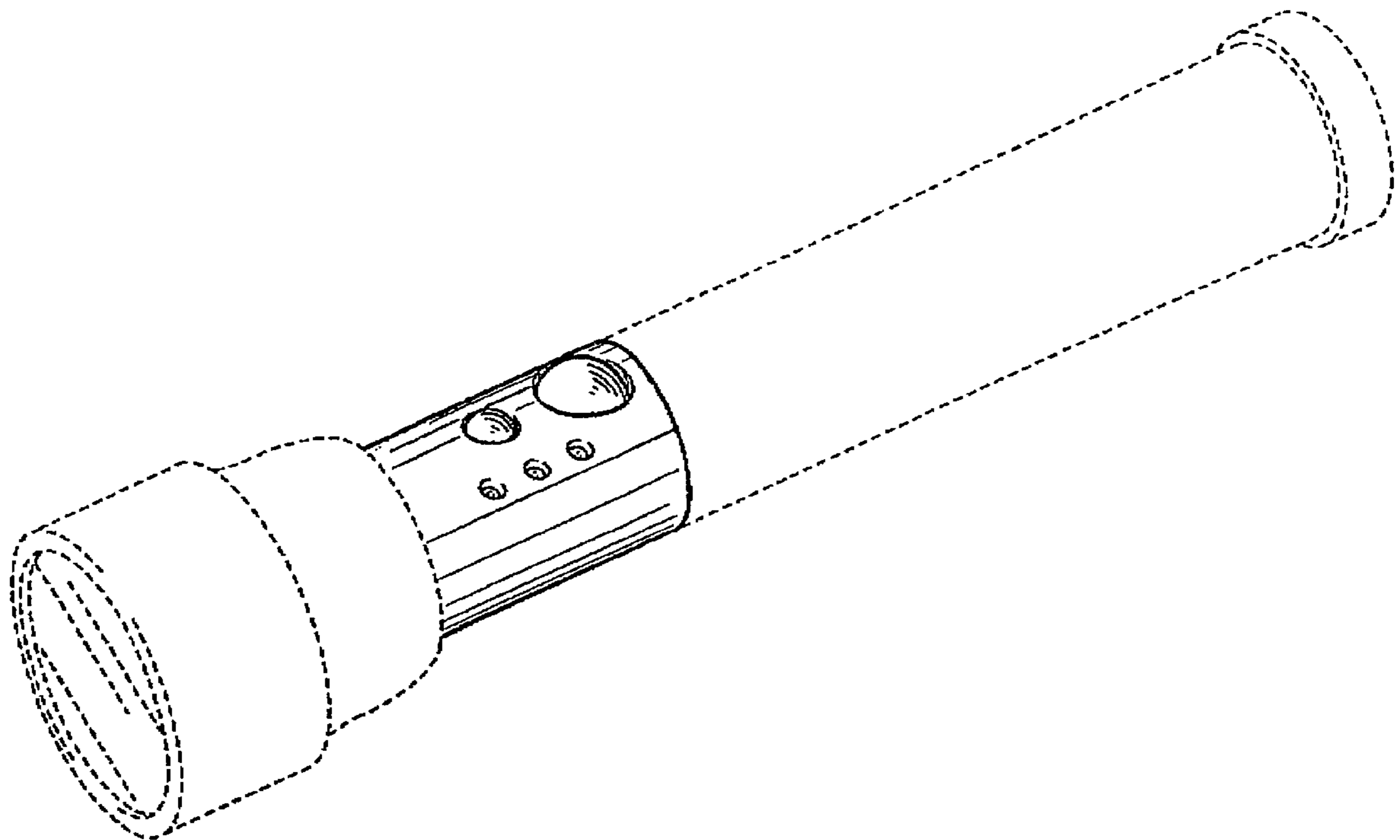
The ornamental design for a flashlight, as shown and described.

DESCRIPTION

FIG. 1 is a top perspective view of a first embodiment of the flashlight of the invention;
 FIG. 2 is a top plan view;
 FIG. 3 is a bottom plan view;
 FIG. 4 is a right side elevation view;
 FIG. 5 is a left side elevation view;
 FIG. 6 is a back end view;
 FIG. 7 is a front end view;
 FIG. 8 is a top perspective view of a second embodiment of the flashlight of the invention;
 FIG. 9 is a top plan view;
 FIG. 10 is a bottom plan view;
 FIG. 11 is a right side elevation view;
 FIG. 12 is a left side elevation view;
 FIG. 13 is a back end view; and,
 FIG. 14 is a front end view.

The broken line disclosure of unclaimed environmental structure shown in the drawings is for illustrative purposes only and does not constitute a part of the claimed design.

1 Claim, 8 Drawing Sheets



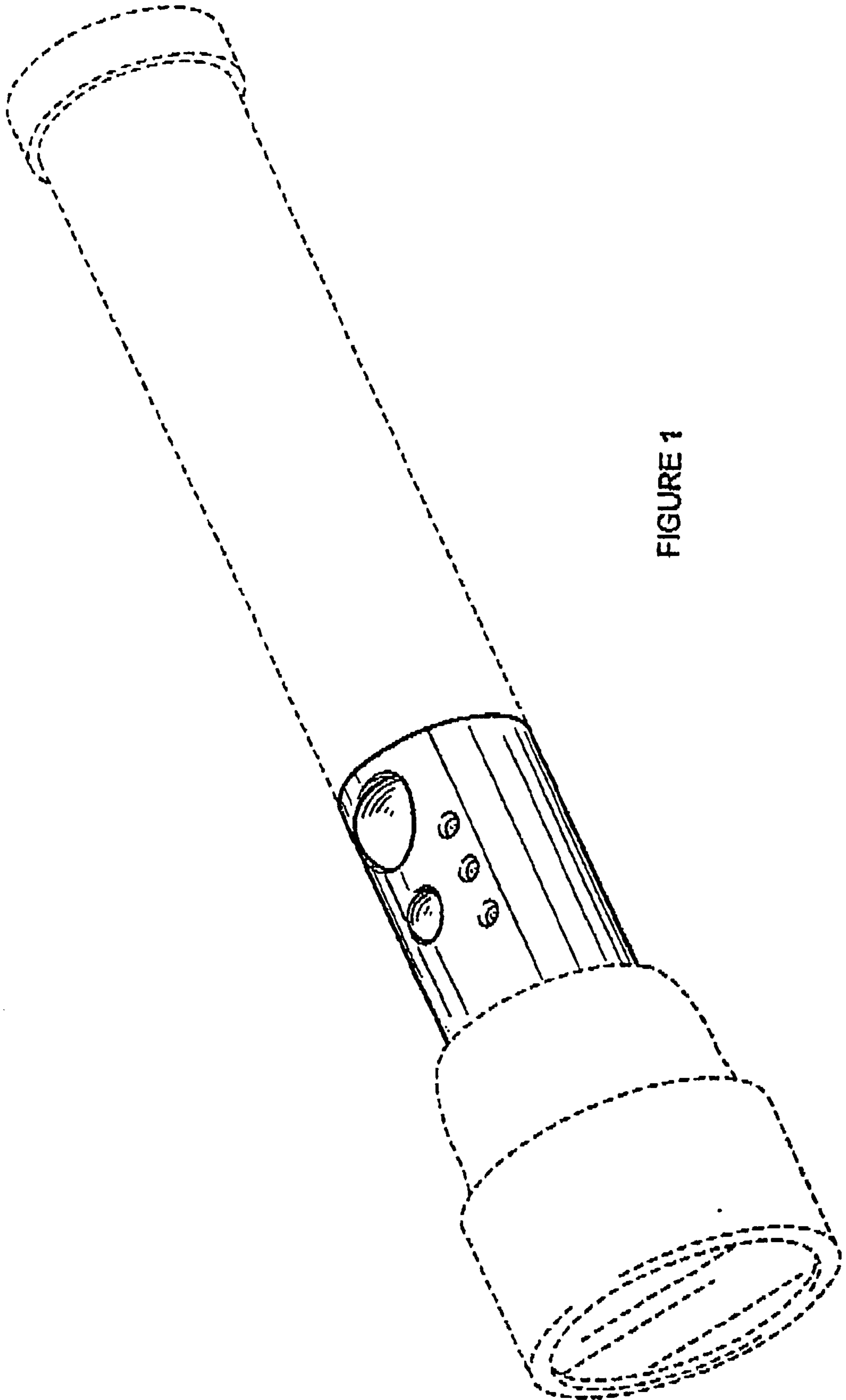
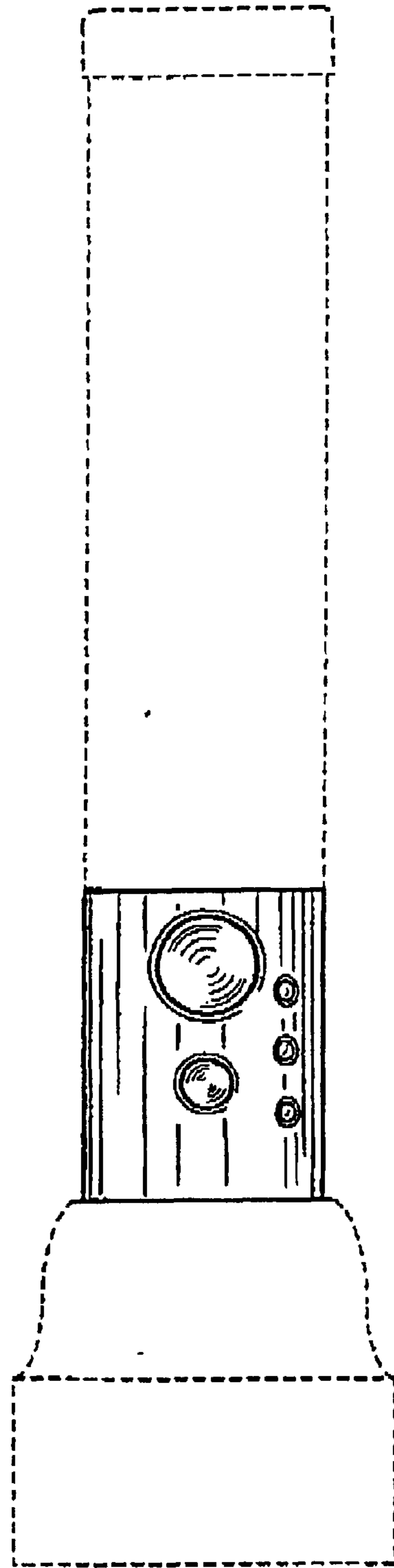
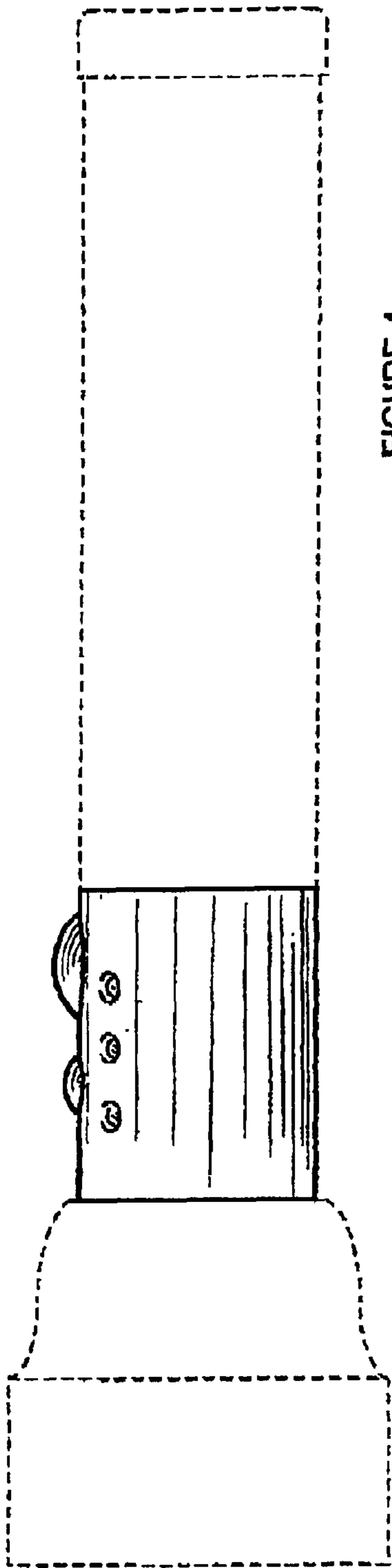


FIGURE 1



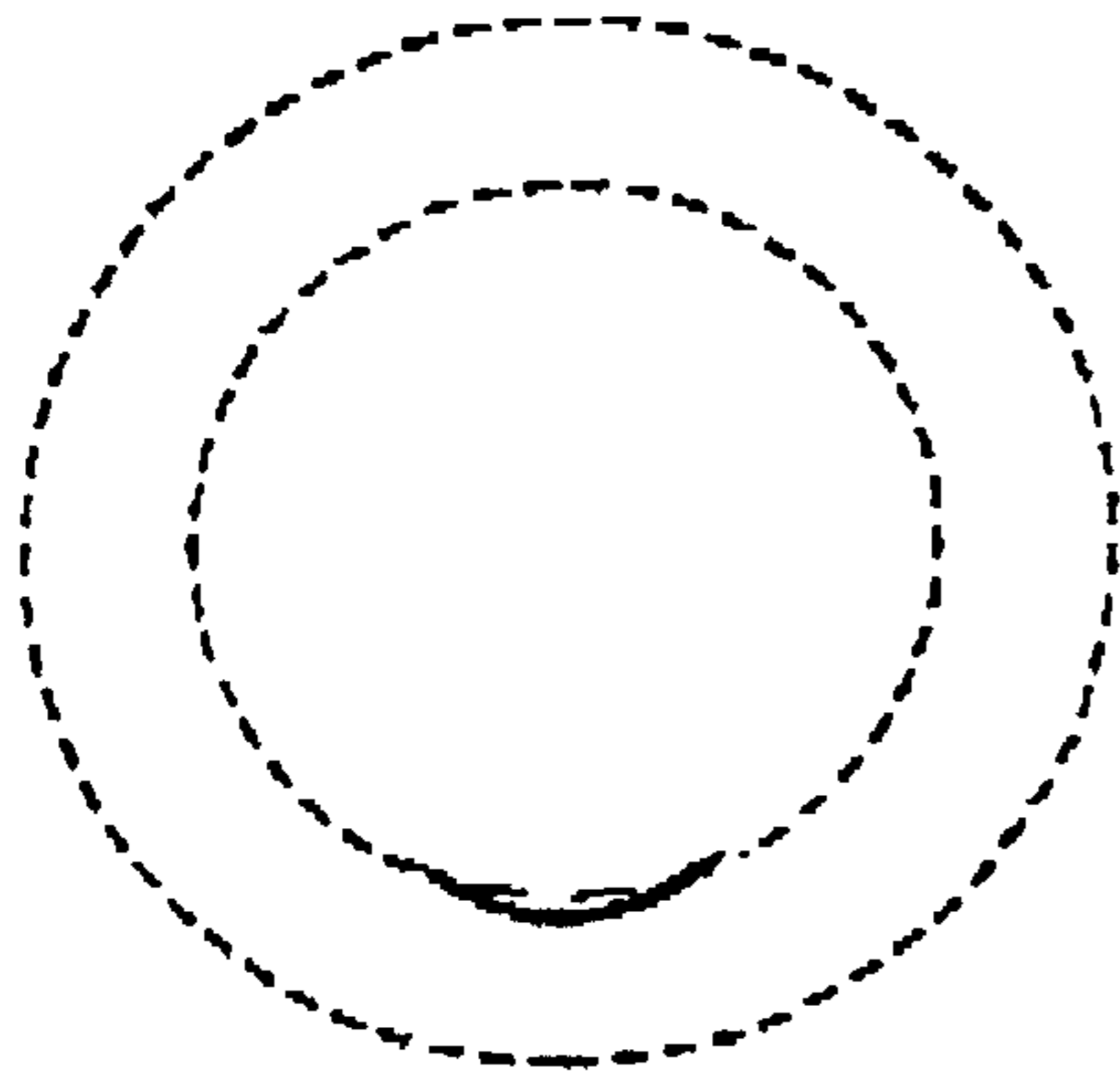


FIGURE 6

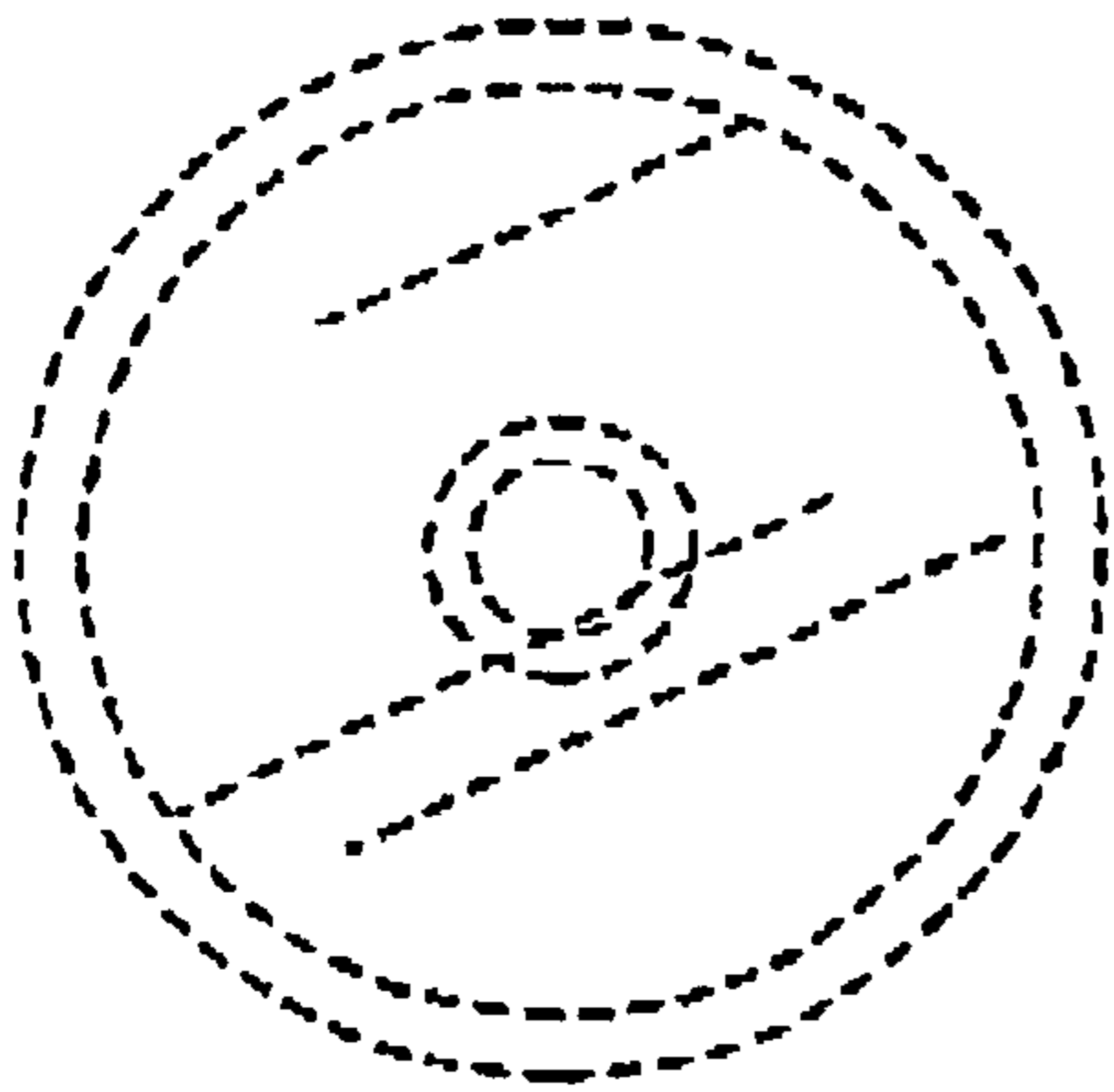


FIGURE 7

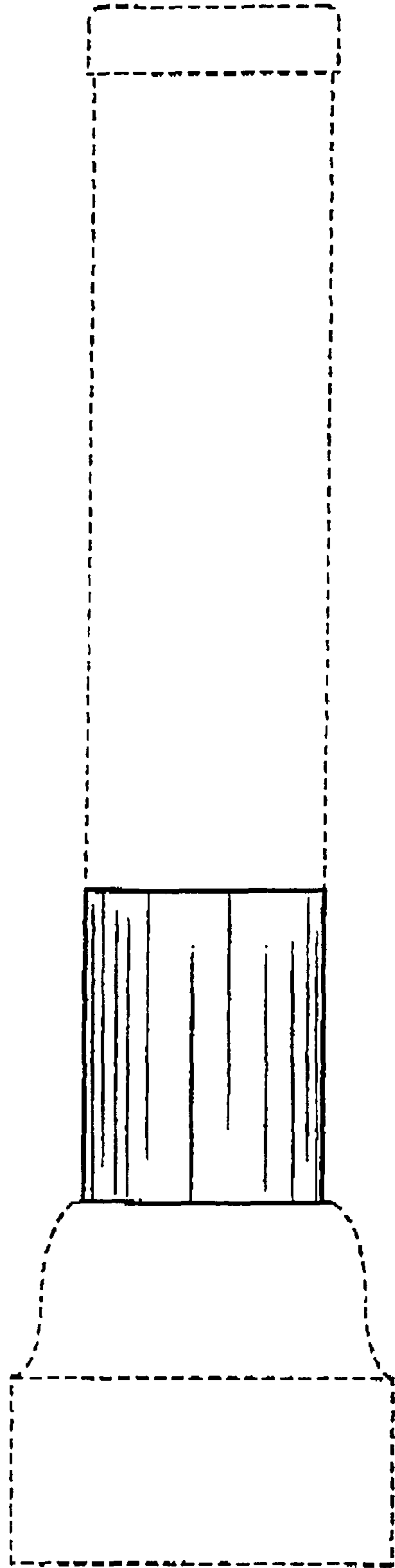


FIGURE 3

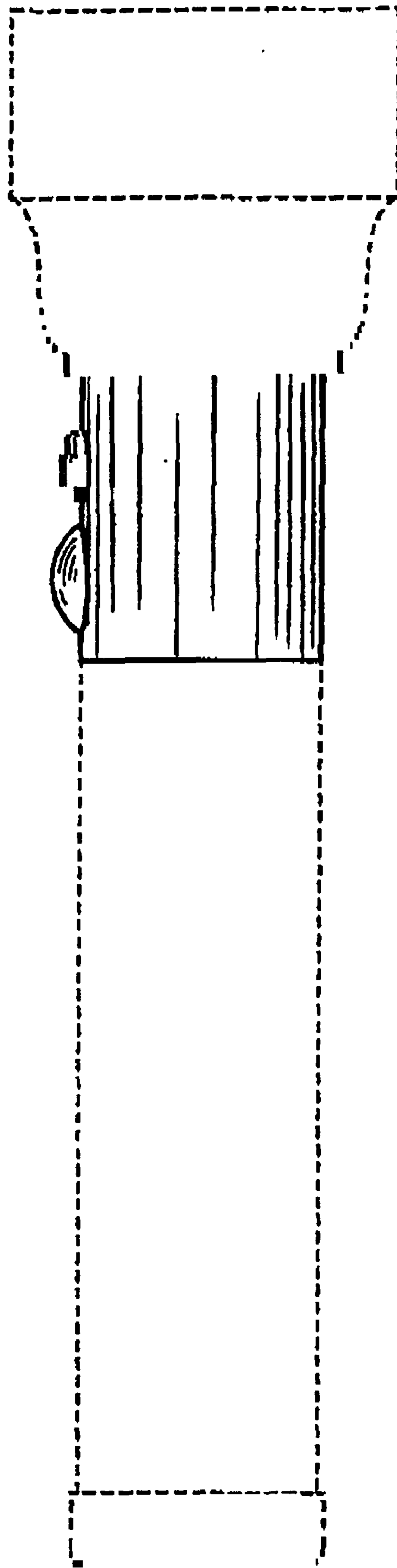
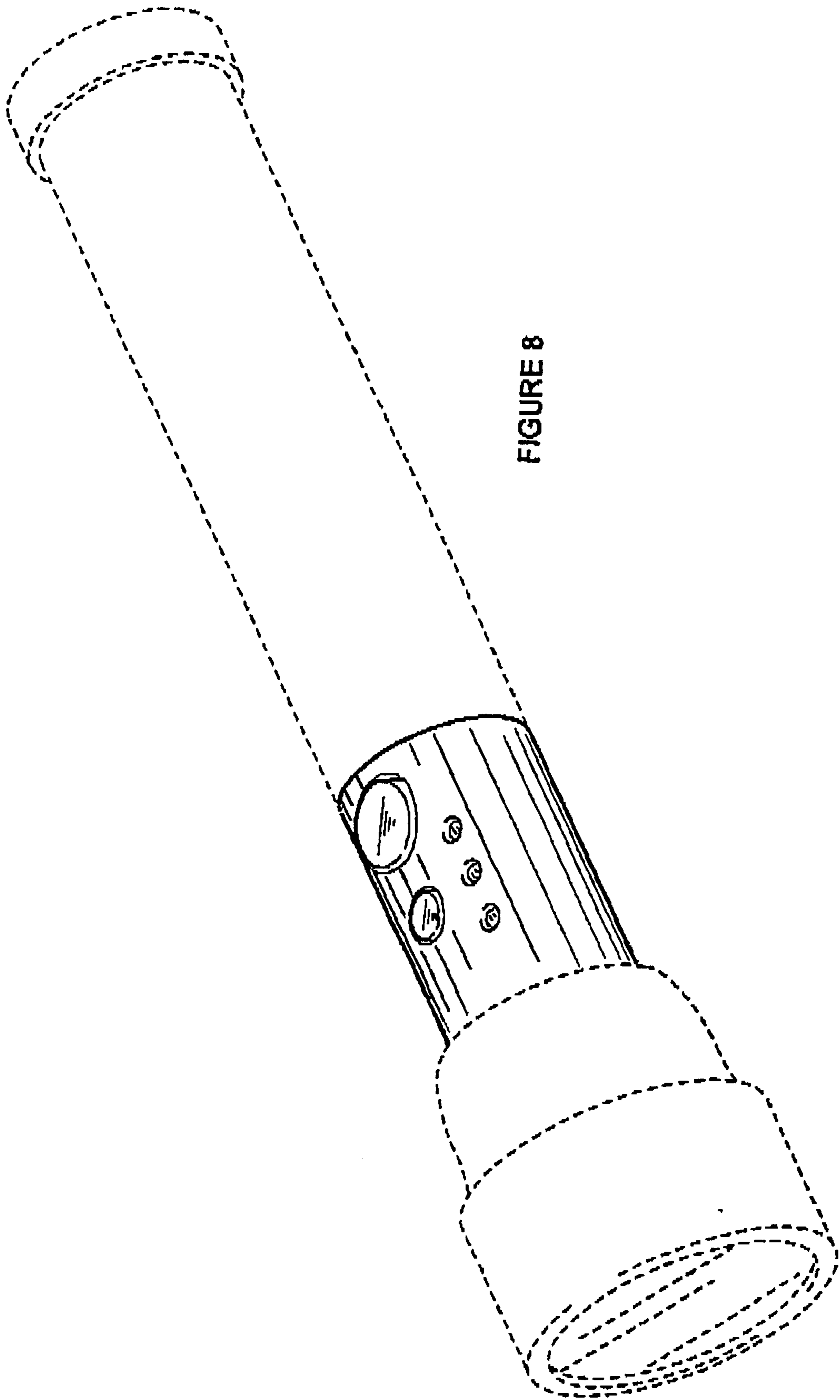


FIGURE 5



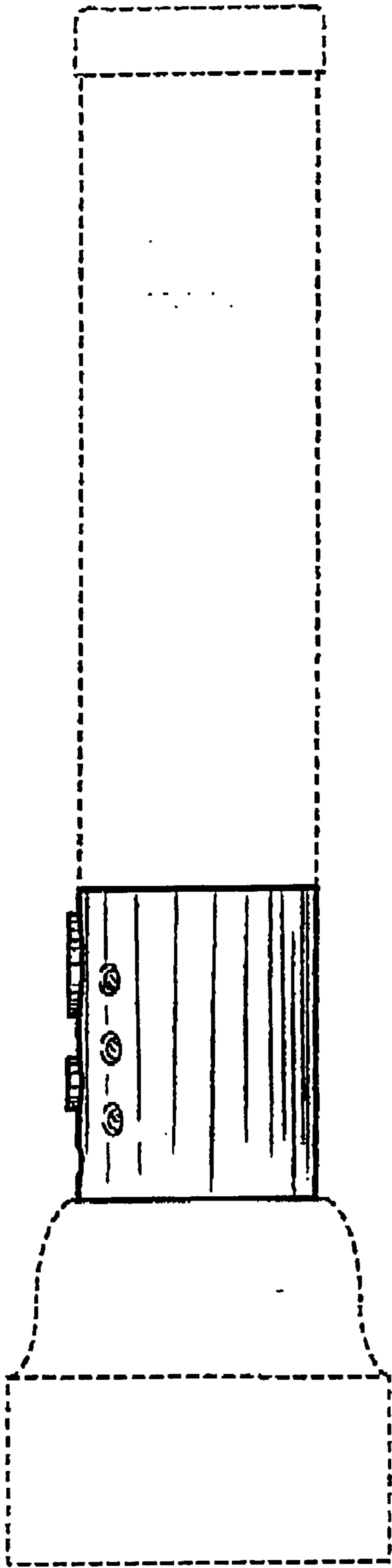


FIGURE 11

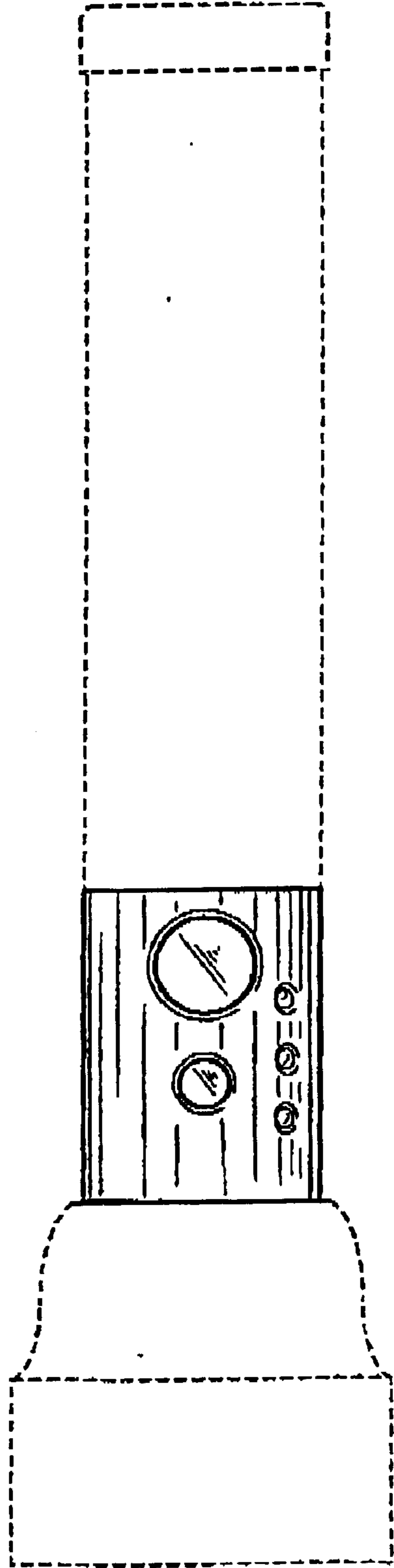


FIGURE 9

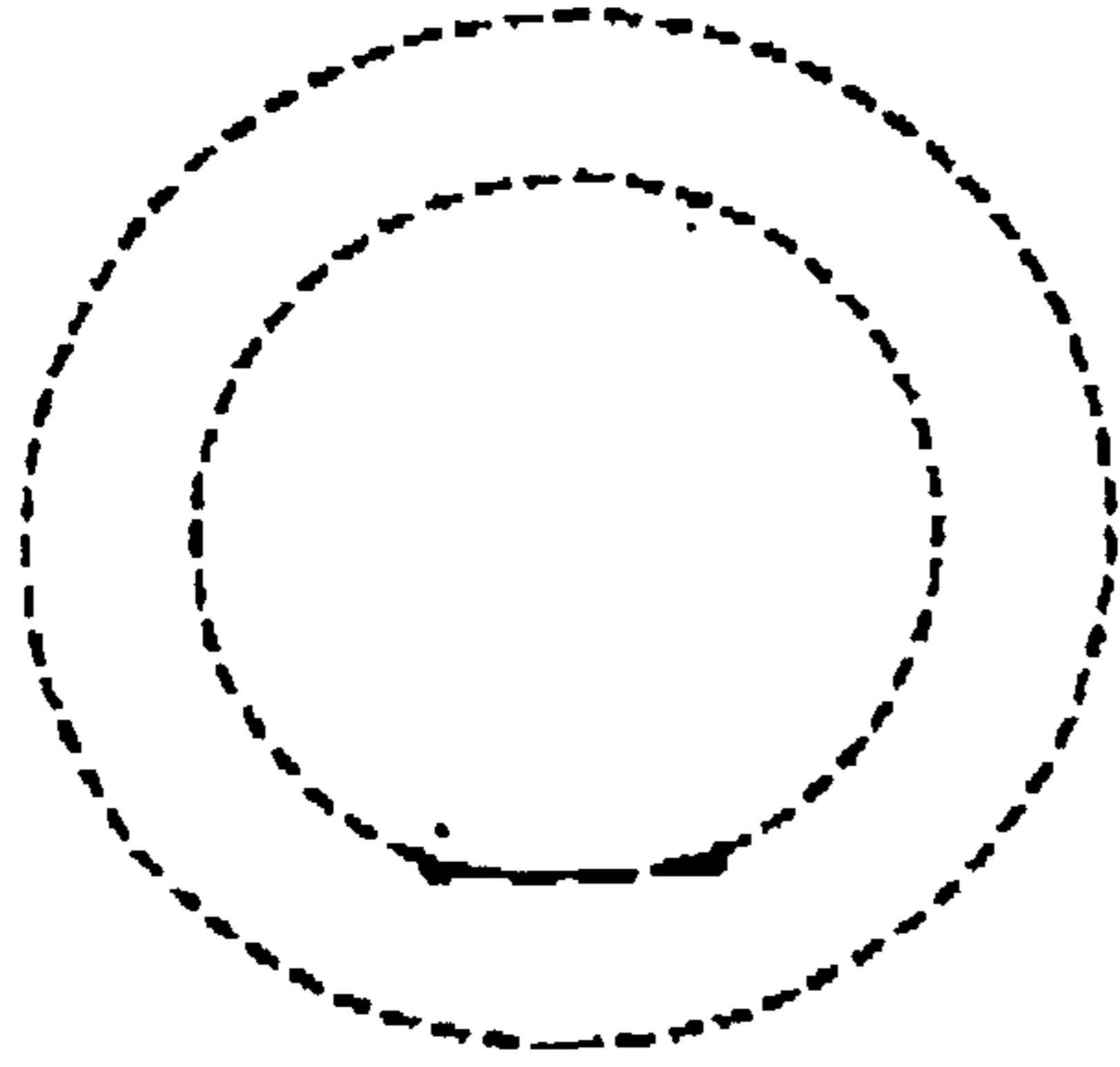


FIGURE 13

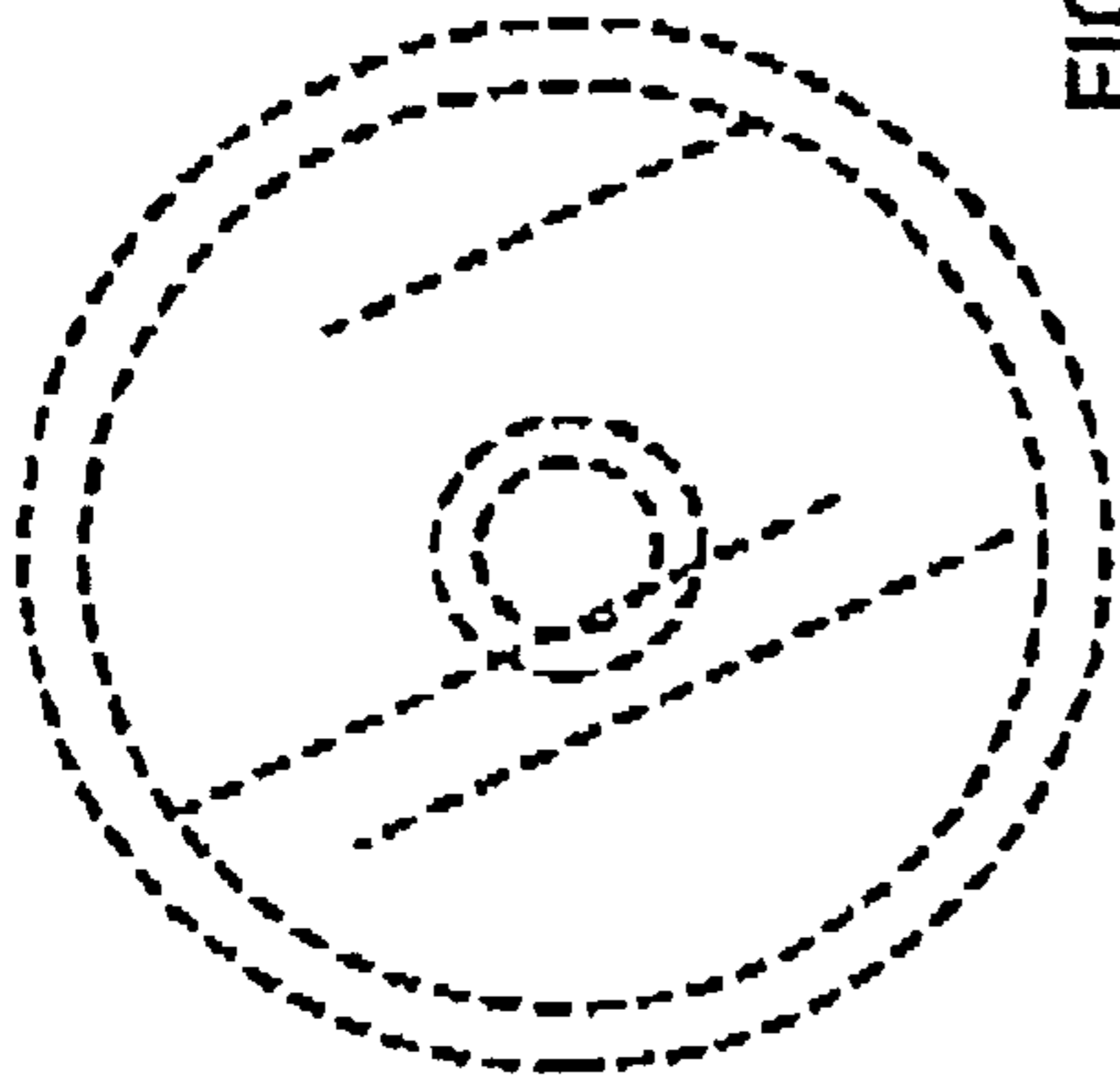


FIGURE 14

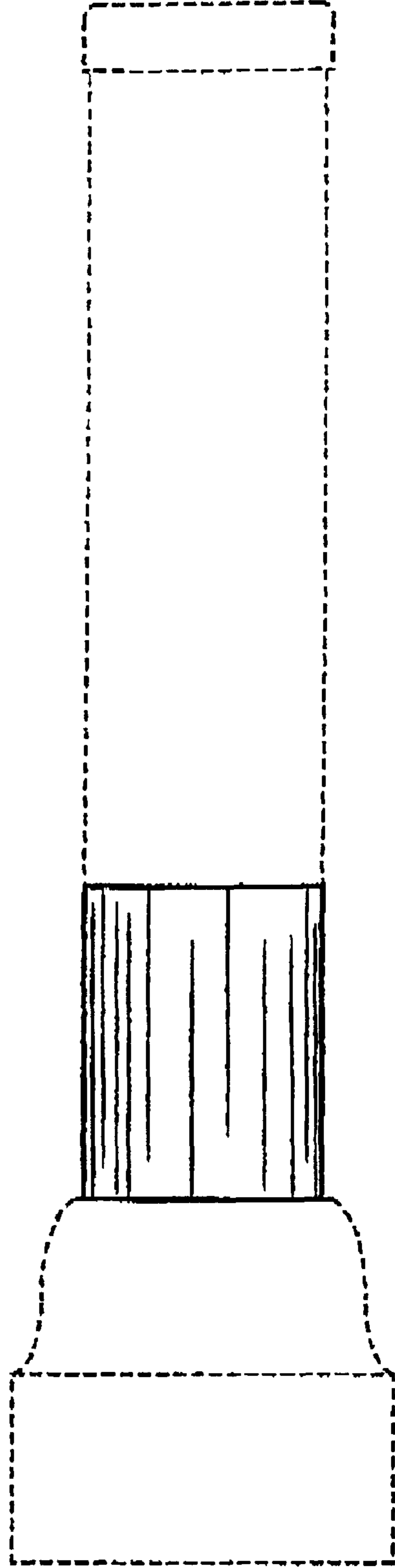


FIGURE 10

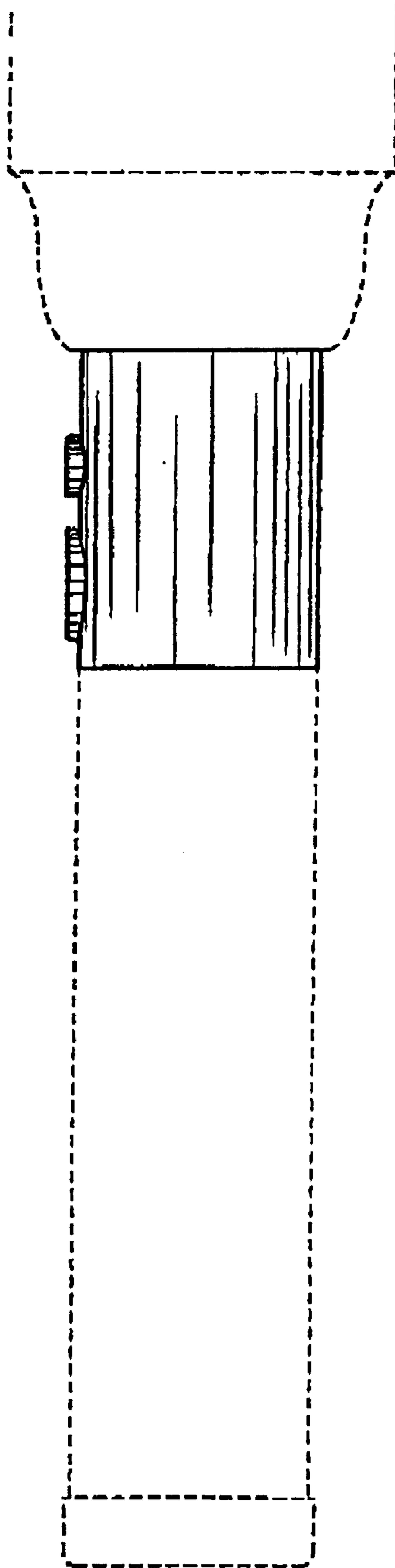


FIGURE 12