



US00D474294S

(12) **United States Design Patent**
Smith et al.

(10) **Patent No.: US D474,294 S**

(45) **Date of Patent: ** May 6, 2003**

(54) **LIGHT HOUSING**

(76) Inventors: **Tristan P. Smith**, 5500 Morro Way, No. 4, La Mesa, CA (US) 91942; **Tom Y. Smith**, 383 Barnswallow La., Vernon Hills, IL (US) 60061

(**) Term: **14 Years**

(21) Appl. No.: **29/160,496**

(22) Filed: **May 13, 2002**

(51) **LOC (7) Cl. 26-02**

(52) **U.S. Cl. D26/37**

(58) **Field of Search D26/37-50; 362/157, 362/158, 171, 172, 173, 183-208**

(56) **References Cited**

U.S. PATENT DOCUMENTS

D343,018 S * 1/1994 Garrity D26/37

D377,988 S * 2/1997 Brain et al. D26/37

* cited by examiner

Primary Examiner—Marcus A. Jackson

(74) *Attorney, Agent, or Firm*—Pauley Petersen Kinne & Erickson

(57) **CLAIM**

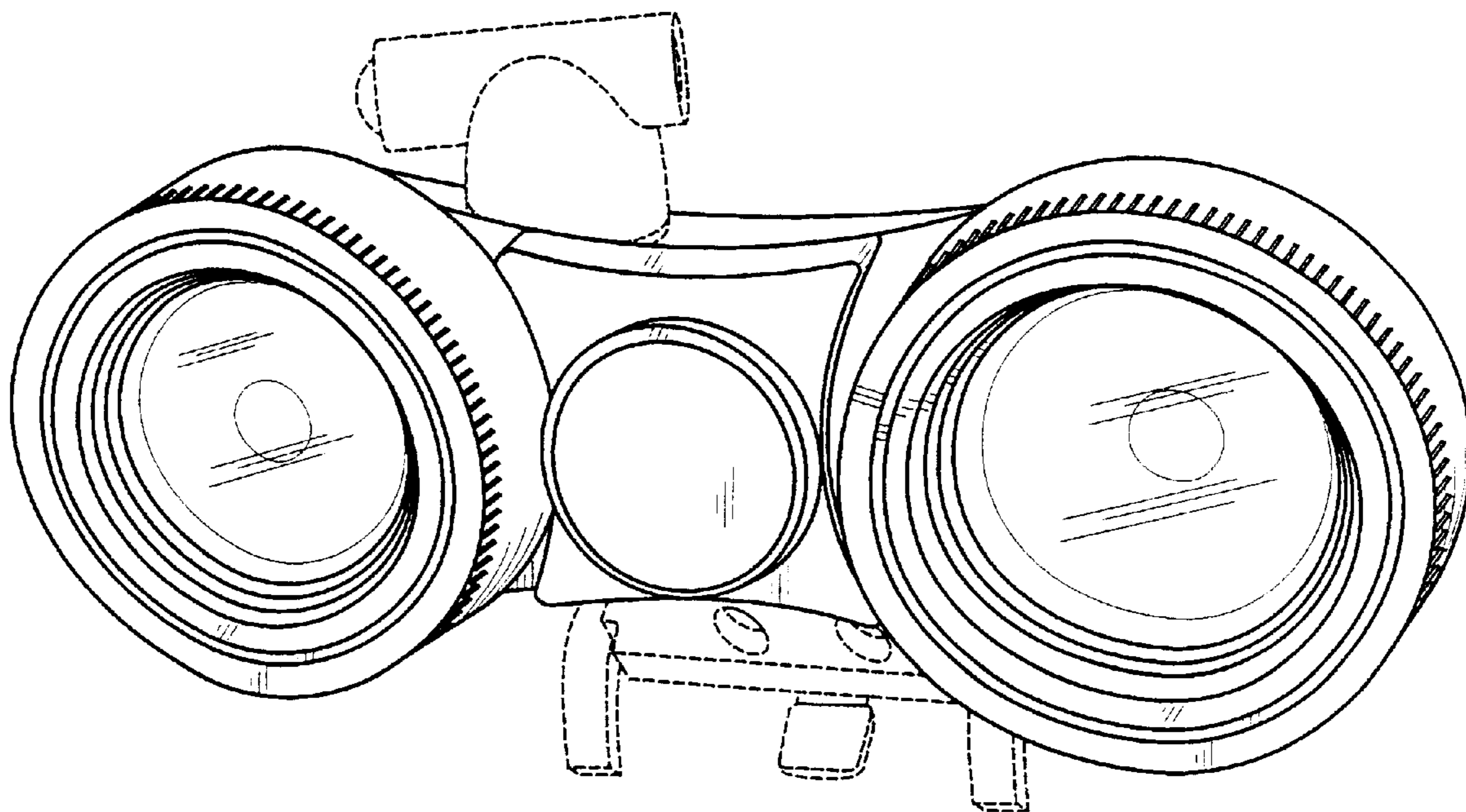
The ornamental design for a light housing, as shown and described.

DESCRIPTION

FIG. 1 is front perspective view of a light housing;
FIG. 2 is a front view of the light housing, as shown in FIG. 1;
FIG. 3 is a rear view of the light housing, as shown in FIG. 1;
FIG. 4 is a side view of the light housing, as shown in FIG. 1;
FIG. 5 is a side view, opposite the side view shown in FIG. 4, of the light housing, as shown in FIG. 1;
FIG. 6 is a top view of the light housing, as shown in FIG. 1; and,
FIG. 7 is a bottom view of the light housing, as shown in FIG. 1.

The dashed lines in the drawings are not a part of the ornamental design of the light housing according to this invention.

1 Claim, 4 Drawing Sheets



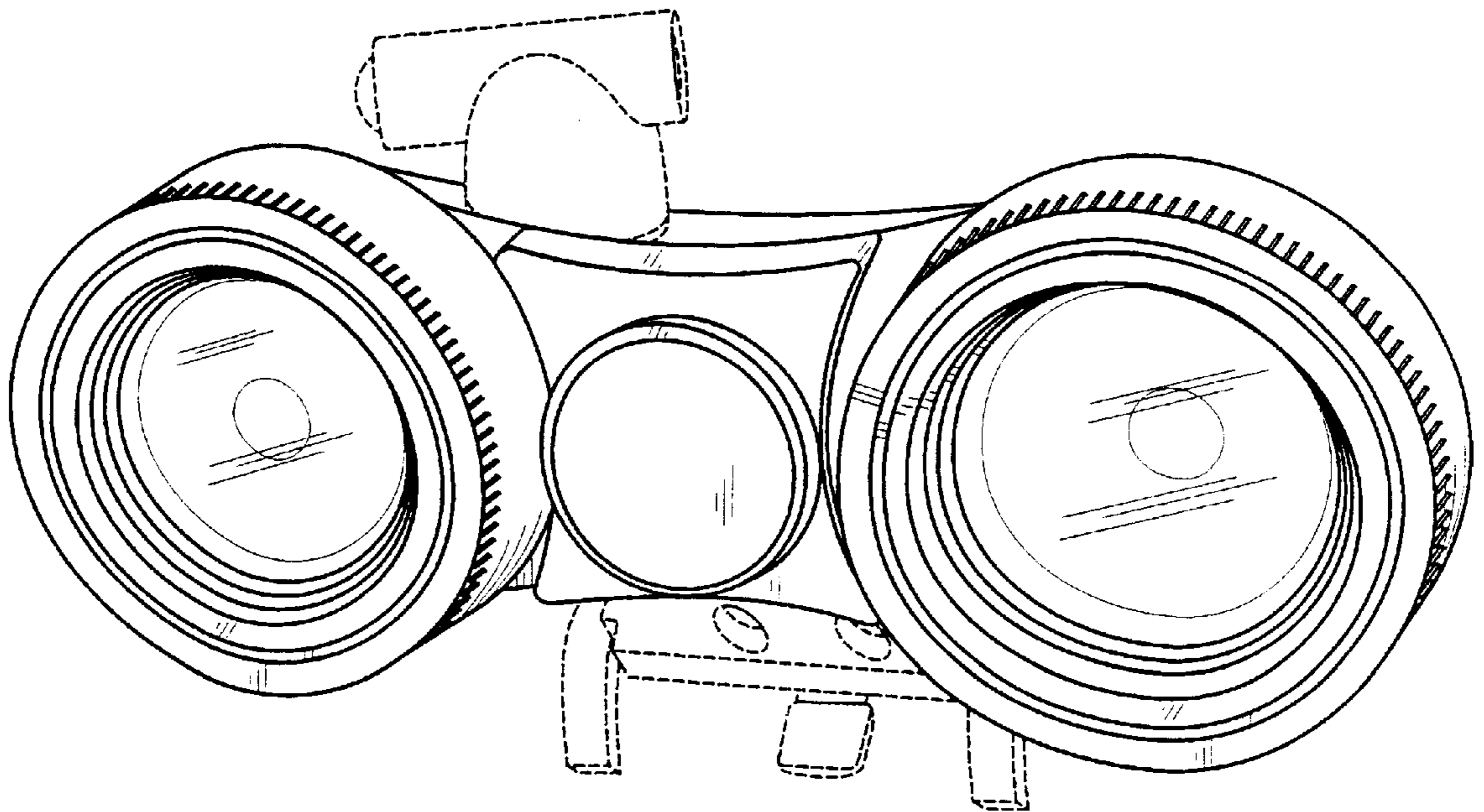


FIG. 1

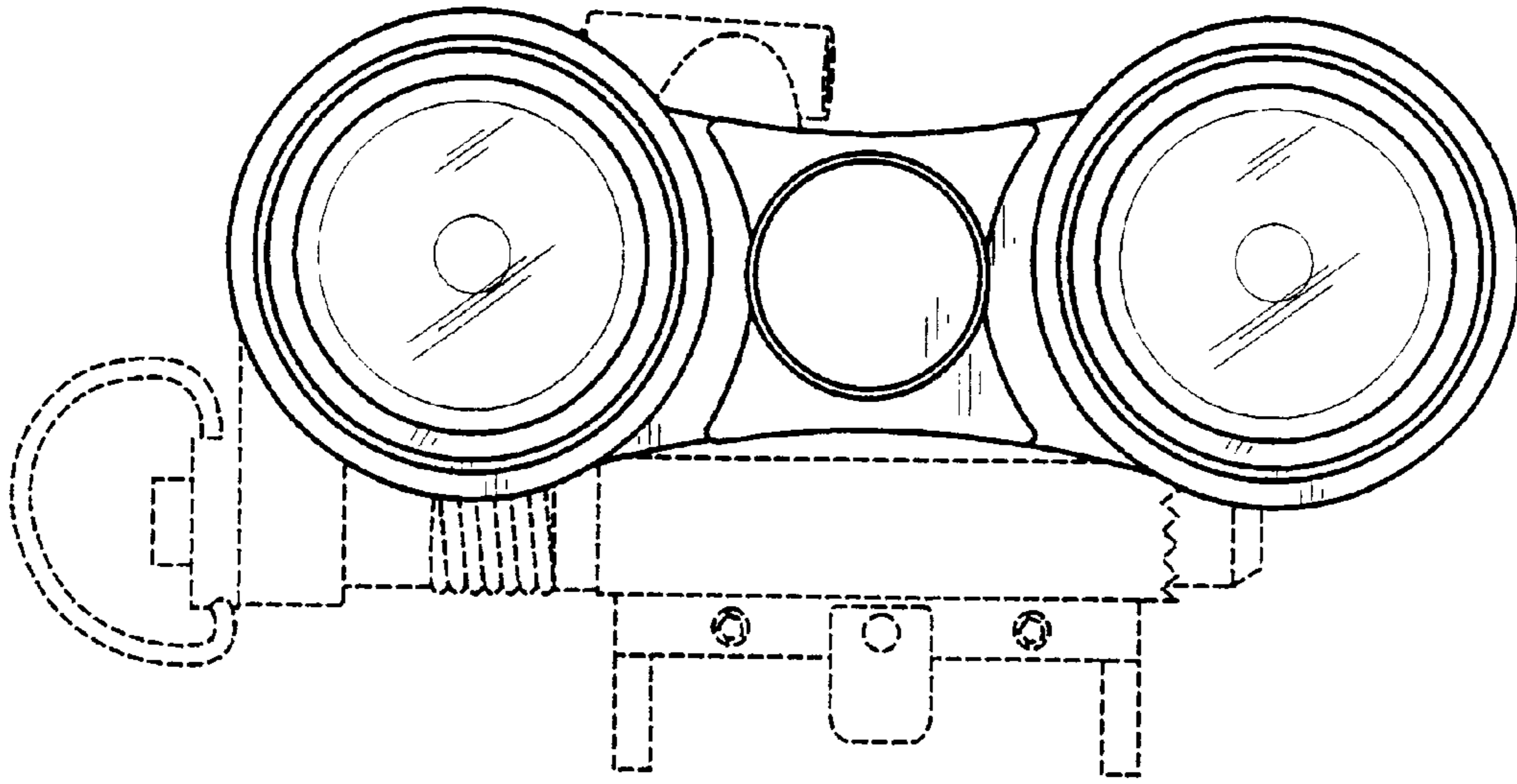


FIG. 2

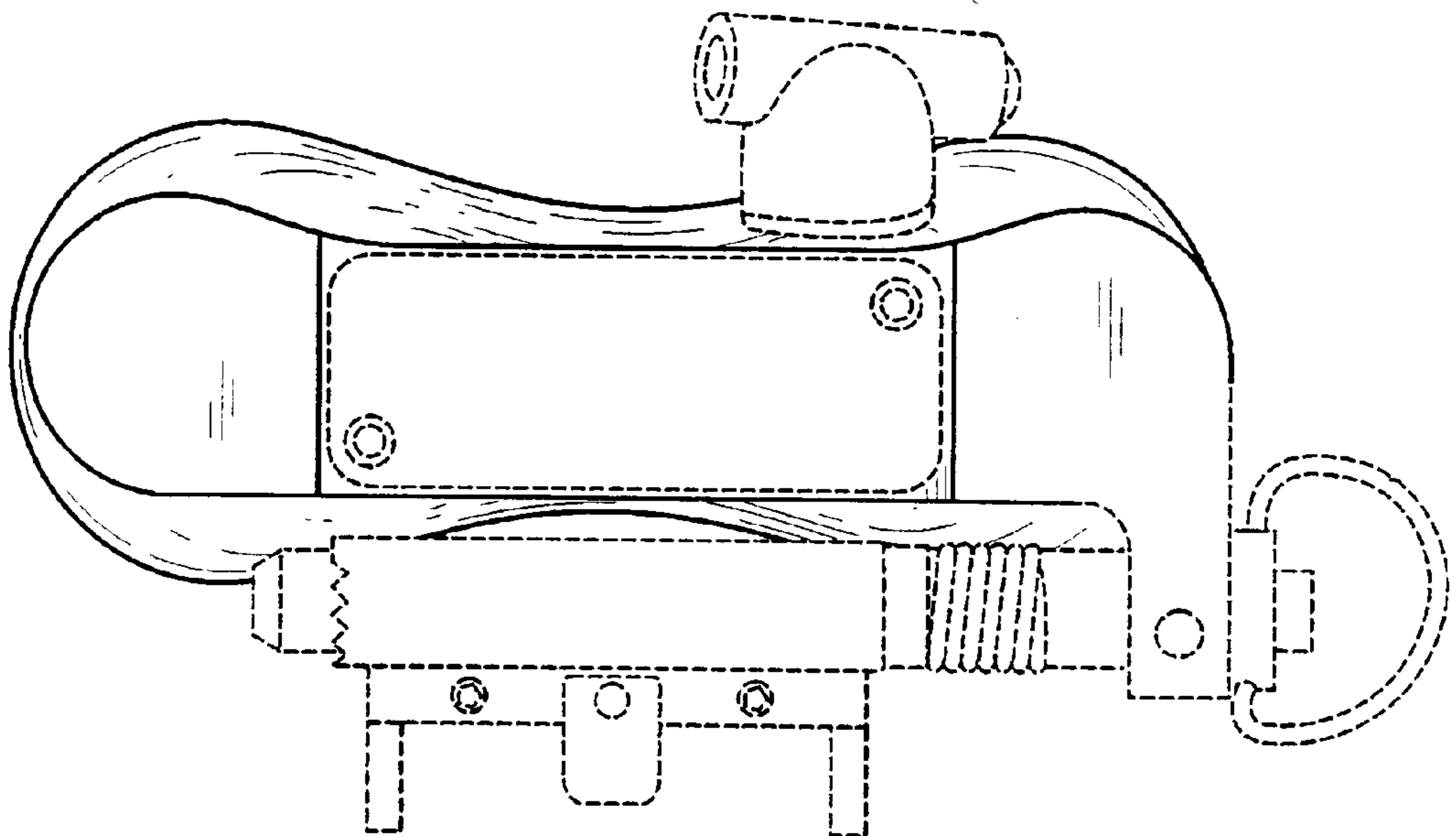


FIG. 3

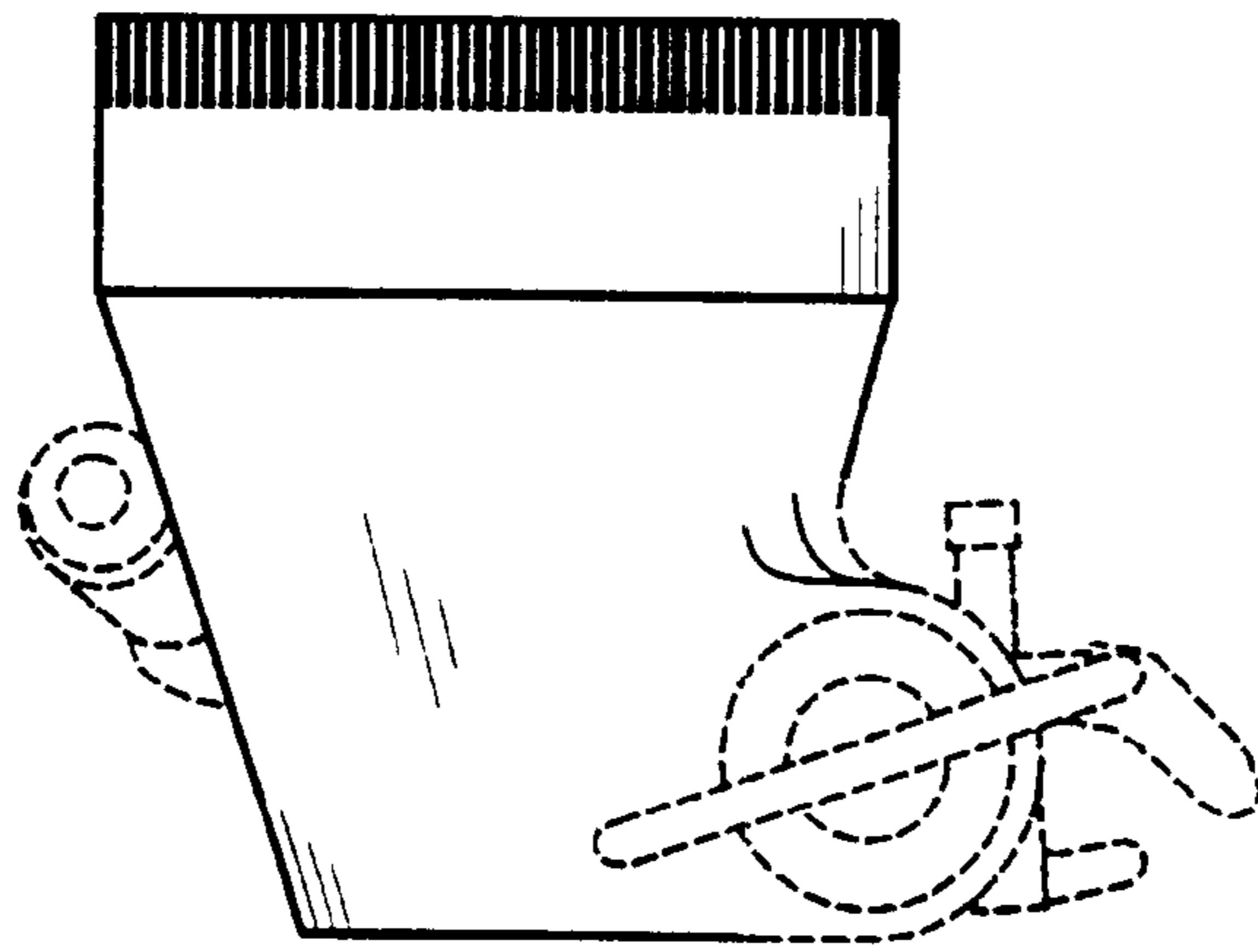


FIG. 4

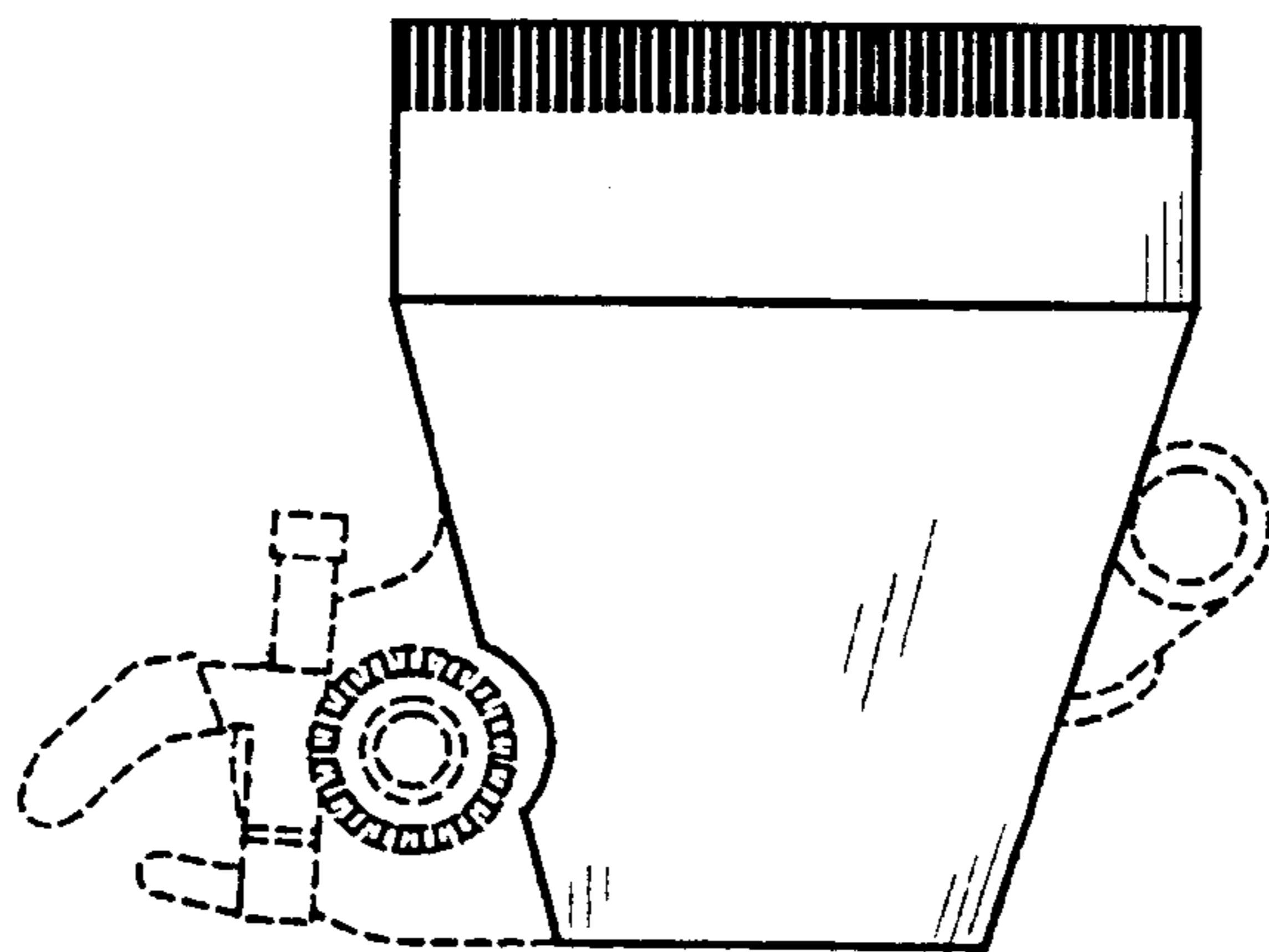


FIG. 5

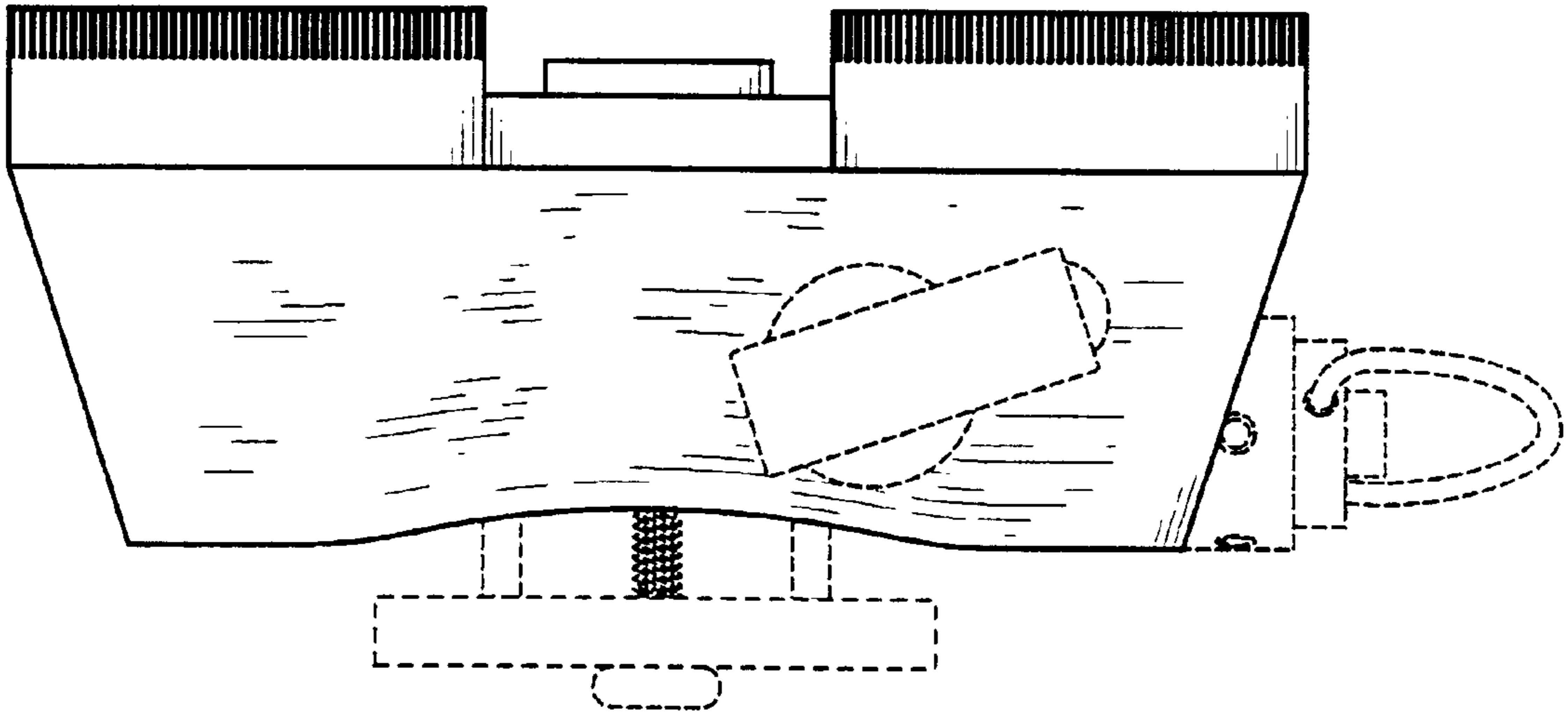


FIG. 6

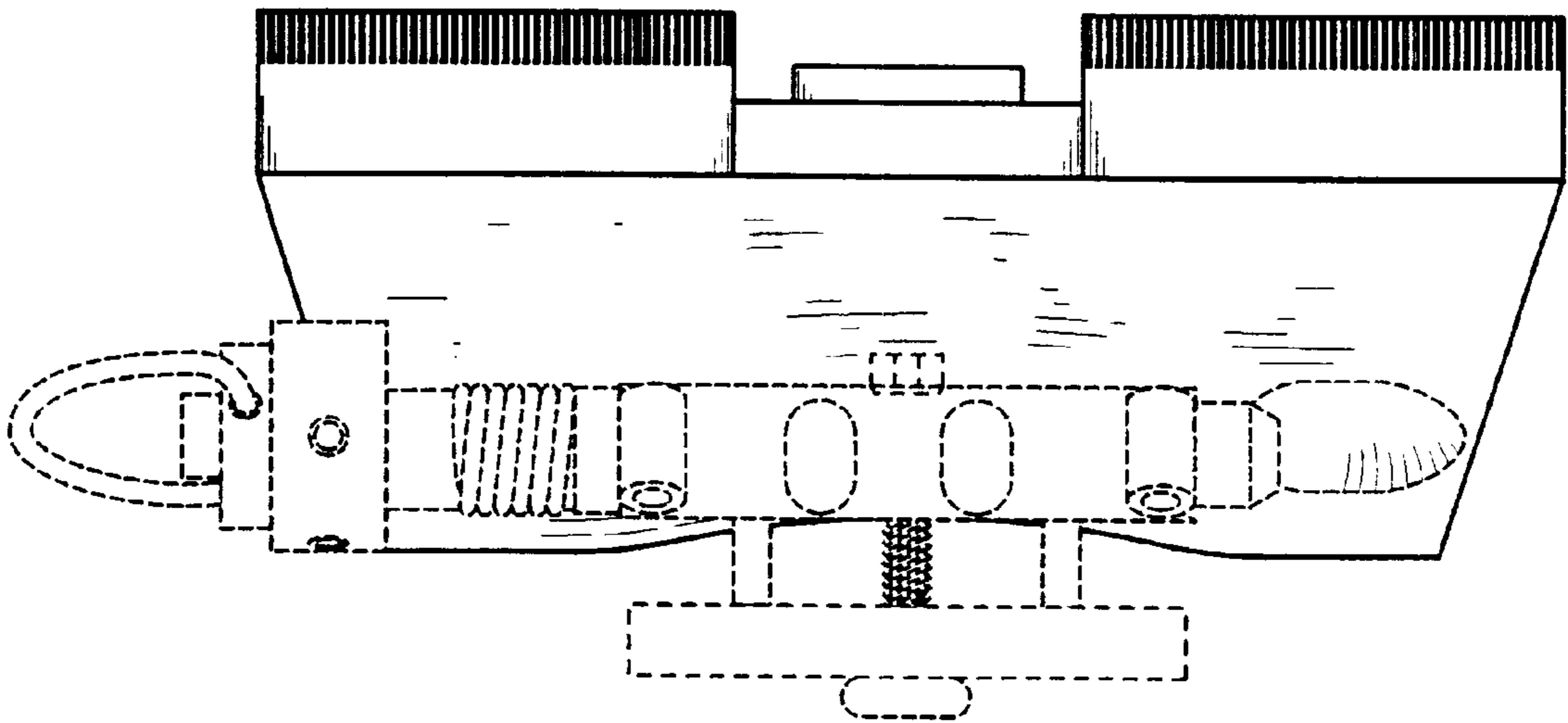


FIG. 7