



US00D474293S

(12) **United States Design Patent**  
**Yang**

(10) **Patent No.:** **US D474,293 S**

(45) **Date of Patent:** **\*\* May 6, 2003**

(54) **VEHICULAR TAIL LIGHT**

(76) Inventor: **Milton Yang**, 427 Sec. 2, Wenhua Road, Panchiano, Taipei (TW)

(\*\*) Term: **14 Years**

(21) Appl. No.: **29/166,347**

(22) Filed: **Aug. 26, 2002**

(51) **LOC (7) Cl.** ..... **26-06**

(52) **U.S. Cl.** ..... **D26/28**

(58) **Field of Search** ..... D26/28-36, 120,  
D26/122; 362/61, 80, 81, 82, 83, 83.4,  
267, 269, 275

(56) **References Cited**

**U.S. PATENT DOCUMENTS**

- D449,123 S \* 10/2001 Horowitz ..... D26/28
- D450,142 S \* 11/2001 Horowitz ..... D26/28
- D464,449 S \* 10/2002 Yang ..... D26/28

**OTHER PUBLICATIONS**

- Accord '98-'00 4D Tail Light.
- Accord 98-00 4D Back Lamp.
- Accord '98-'00 4D Tail Light2.
- Accord 98-00 4D Back Lamp2.
- Accord 2001-up 4D Back Light.

- Accord 2001-up 4D Tail Light.
- Accord 2001-up 4D Back Light2.
- Accord 2001-up 4D Tail Light2.

\* cited by examiner

*Primary Examiner*—Marcus A. Jackson  
(74) *Attorney, Agent, or Firm*—Stetina Brunda Garred & Brucker

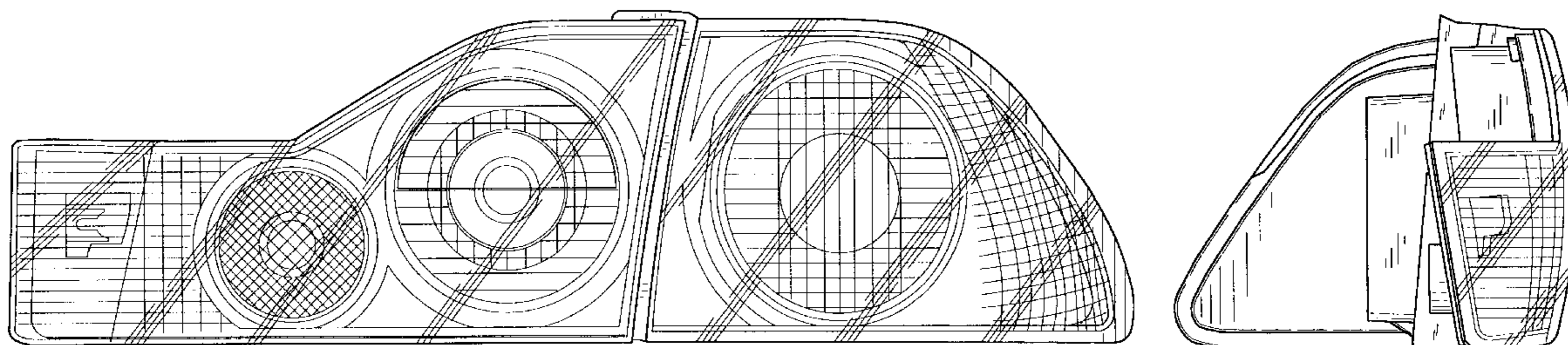
(57) **CLAIM**

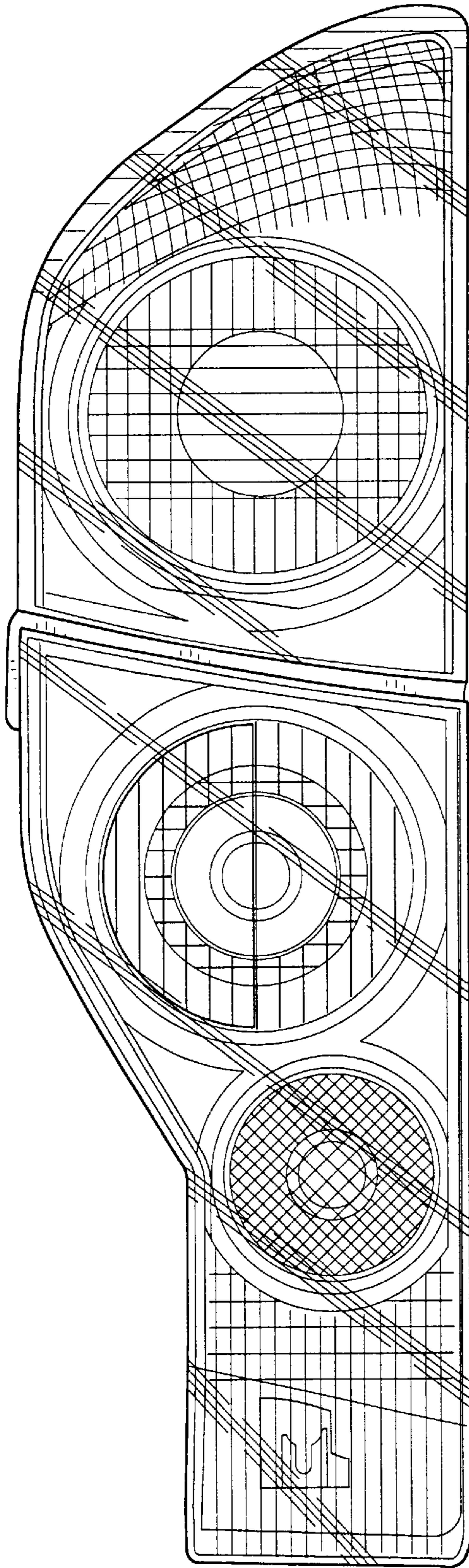
The ornamental design for a vehicular tail light, as shown and described.

**DESCRIPTION**

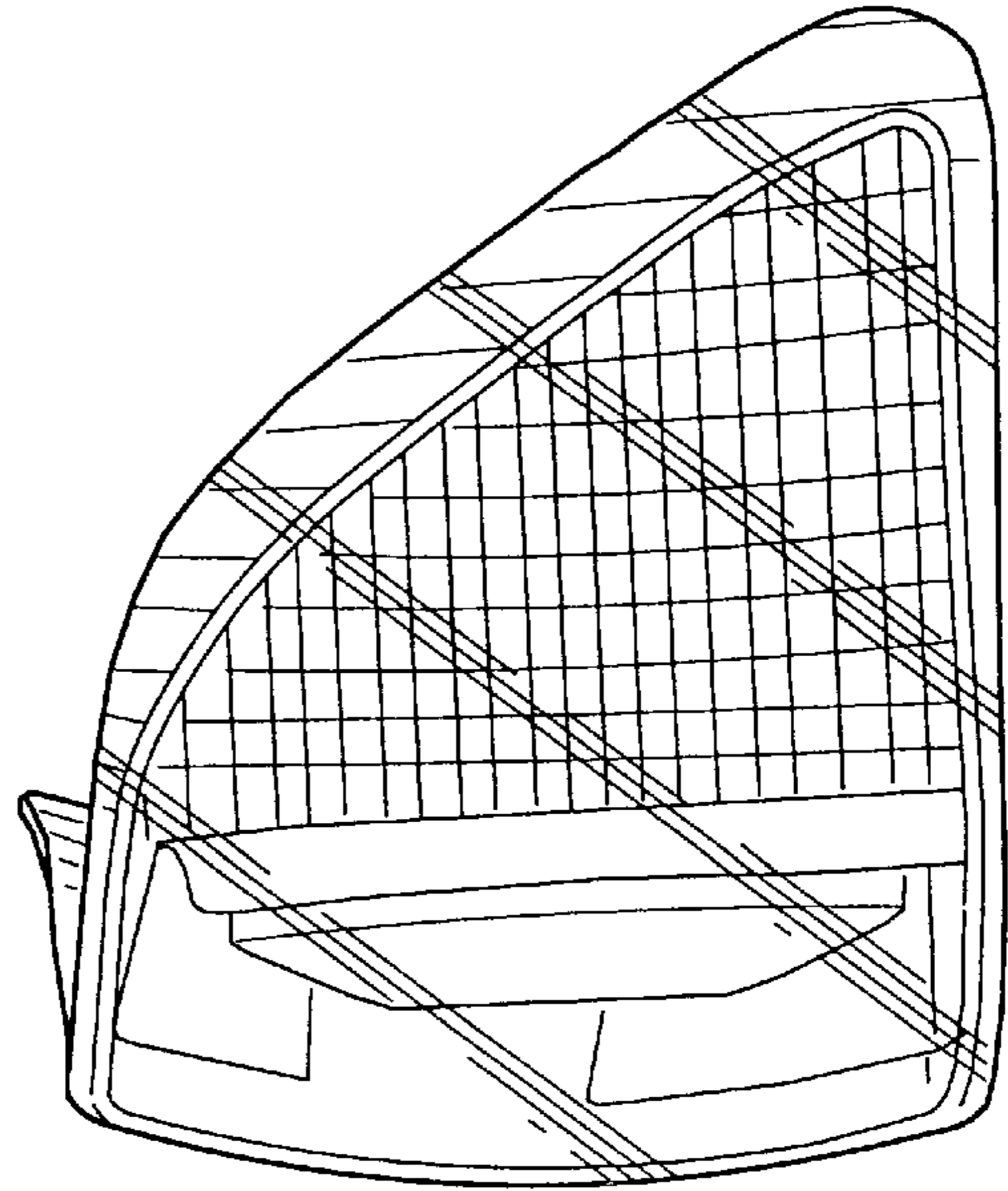
FIG. 1 is a front elevation view of the vehicular tail light of the present invention showing my new design;  
 FIG. 2 is a left side elevation view thereof;  
 FIG. 3 is a right side elevation view thereof;  
 FIG. 4 is a top plan view thereof;  
 FIG. 5 is a bottom plan view thereof;  
 FIG. 6 is a front elevation view of a second embodiment of the vehicular tail light of the present invention showing my new design;  
 FIG. 7 is a left side elevation view thereof;  
 FIG. 8 is a right side elevation view thereof;  
 FIG. 9 is a top plan view thereof; and,  
 FIG. 10 is a bottom plan view thereof.

**1 Claim, 4 Drawing Sheets**

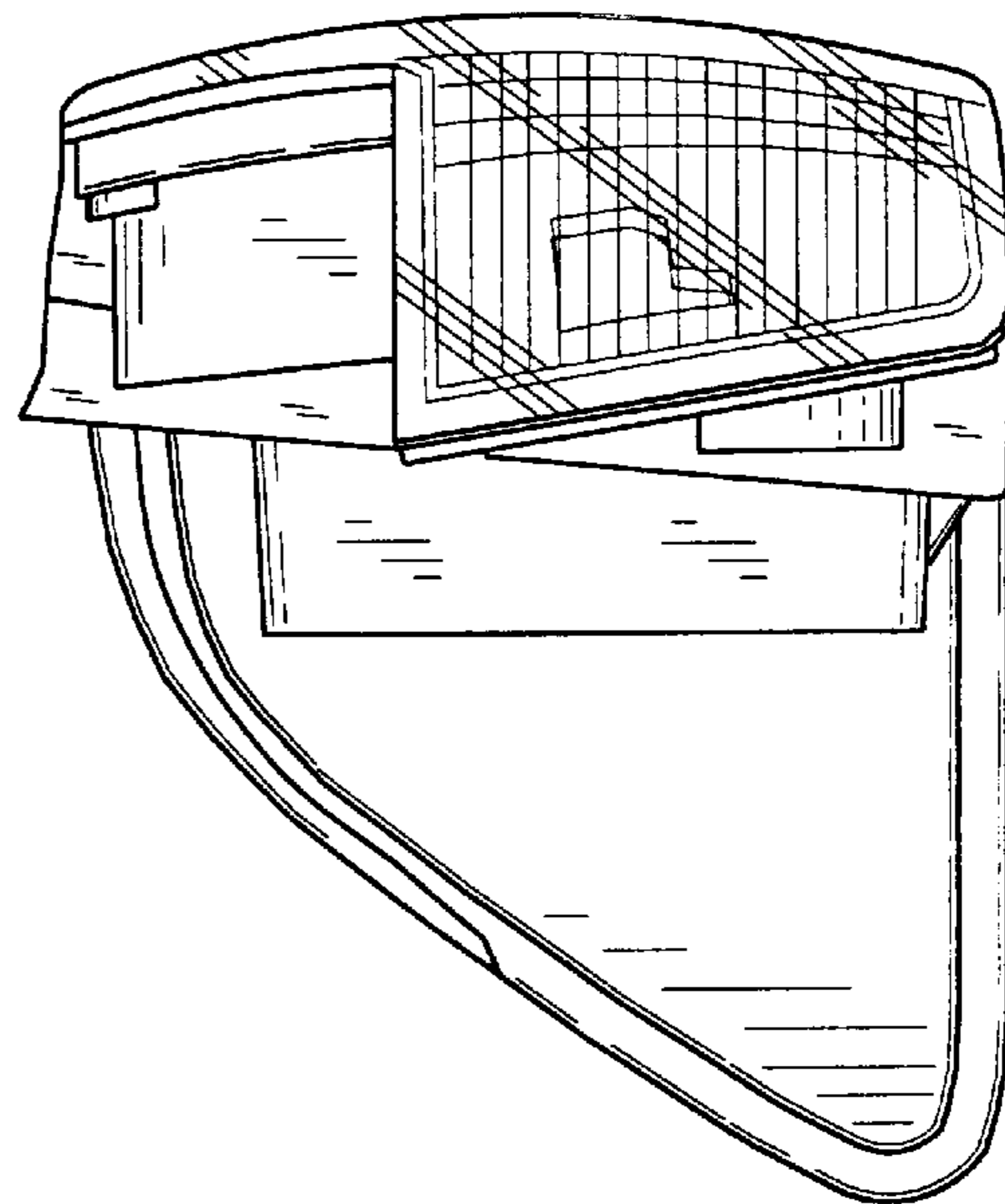




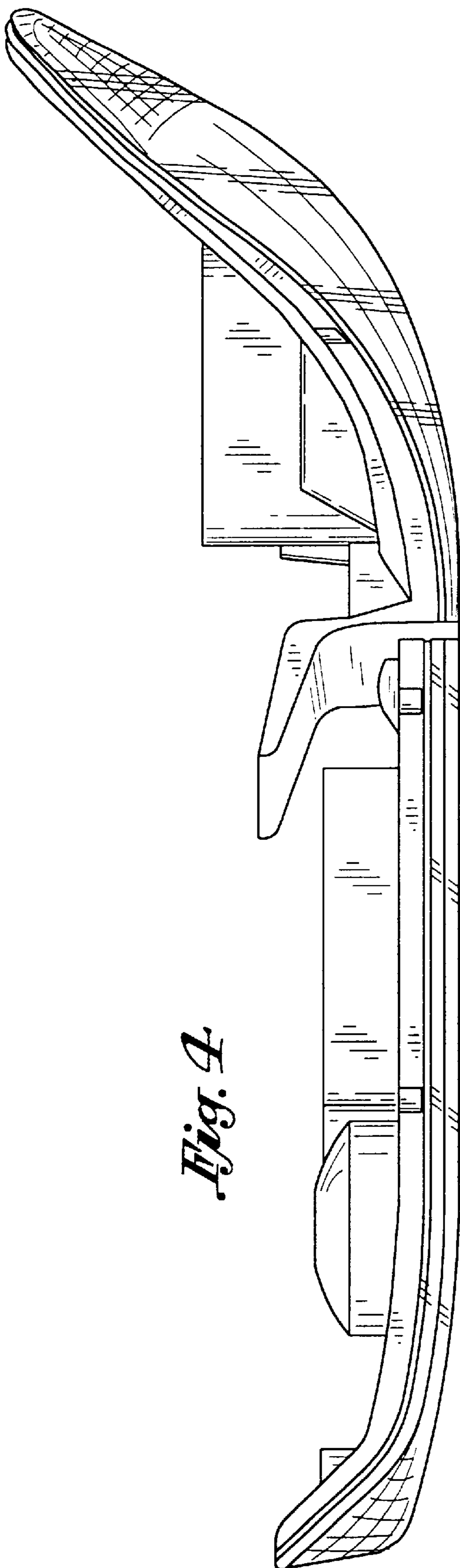
*Fig. 1*



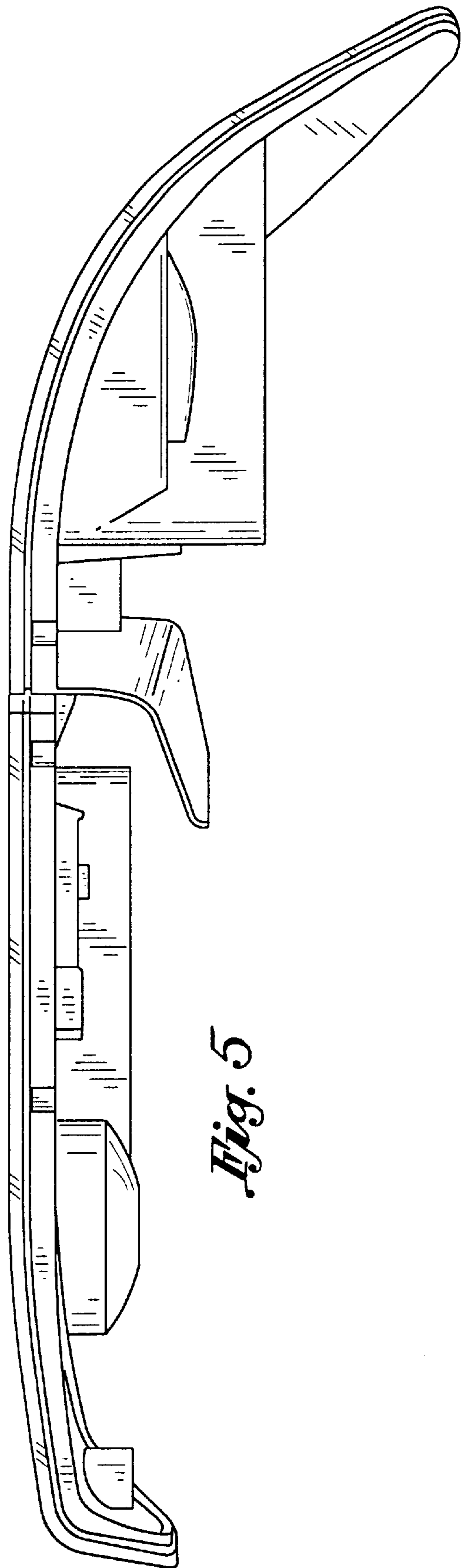
*Fig. 3*



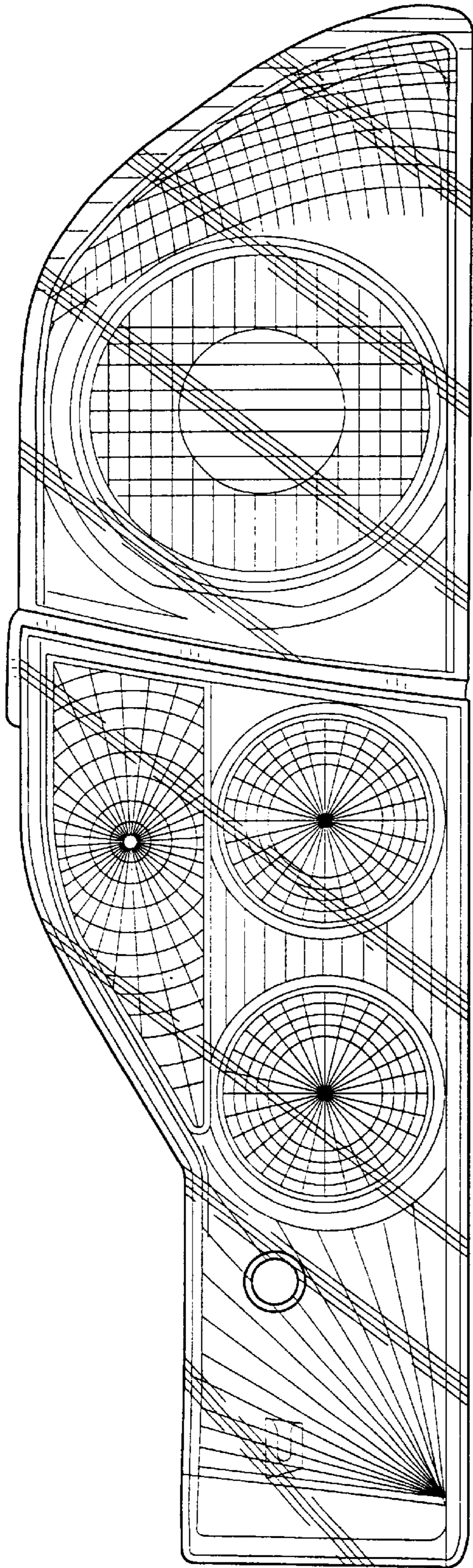
*Fig. 2*



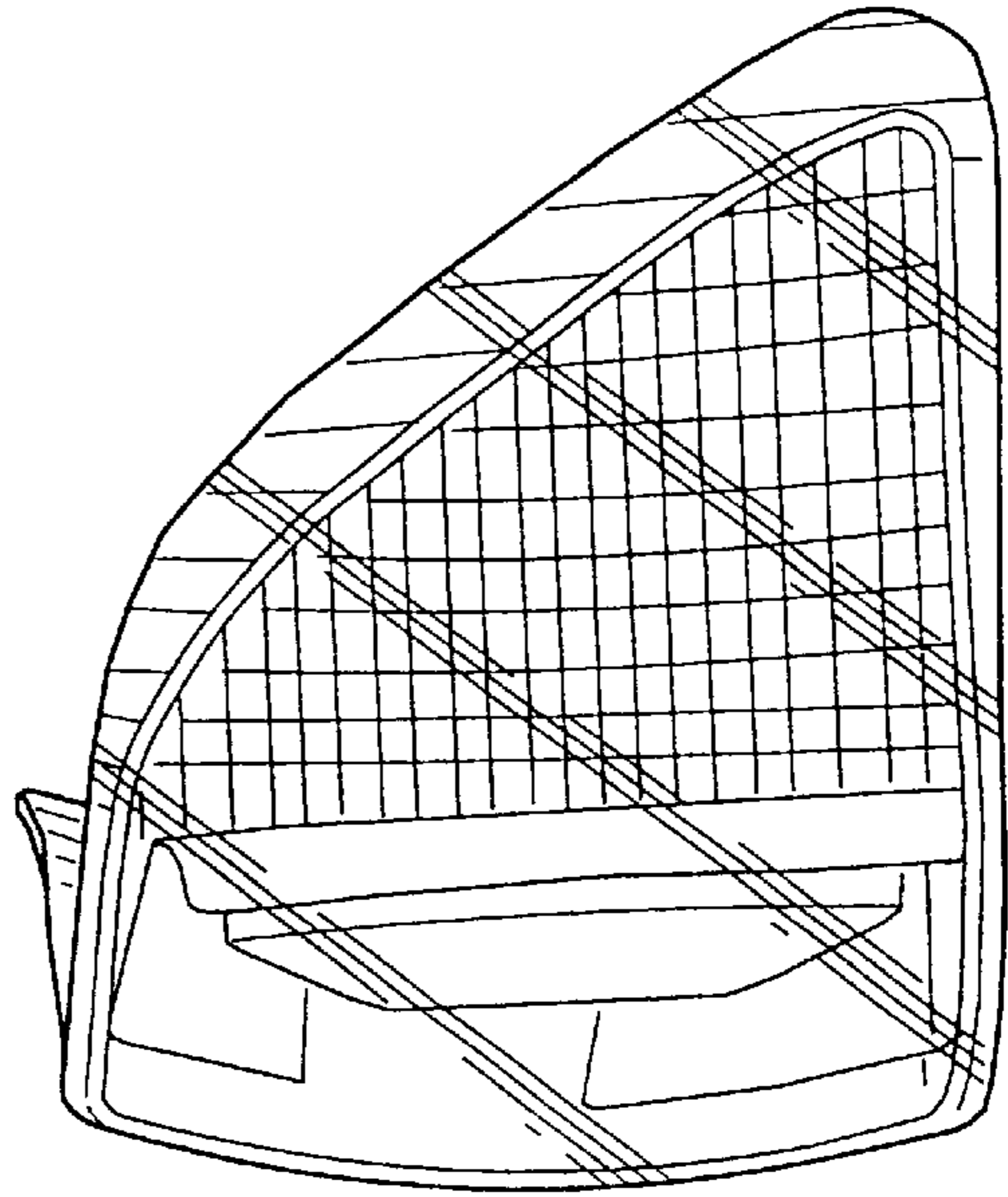
*Fig. 4*



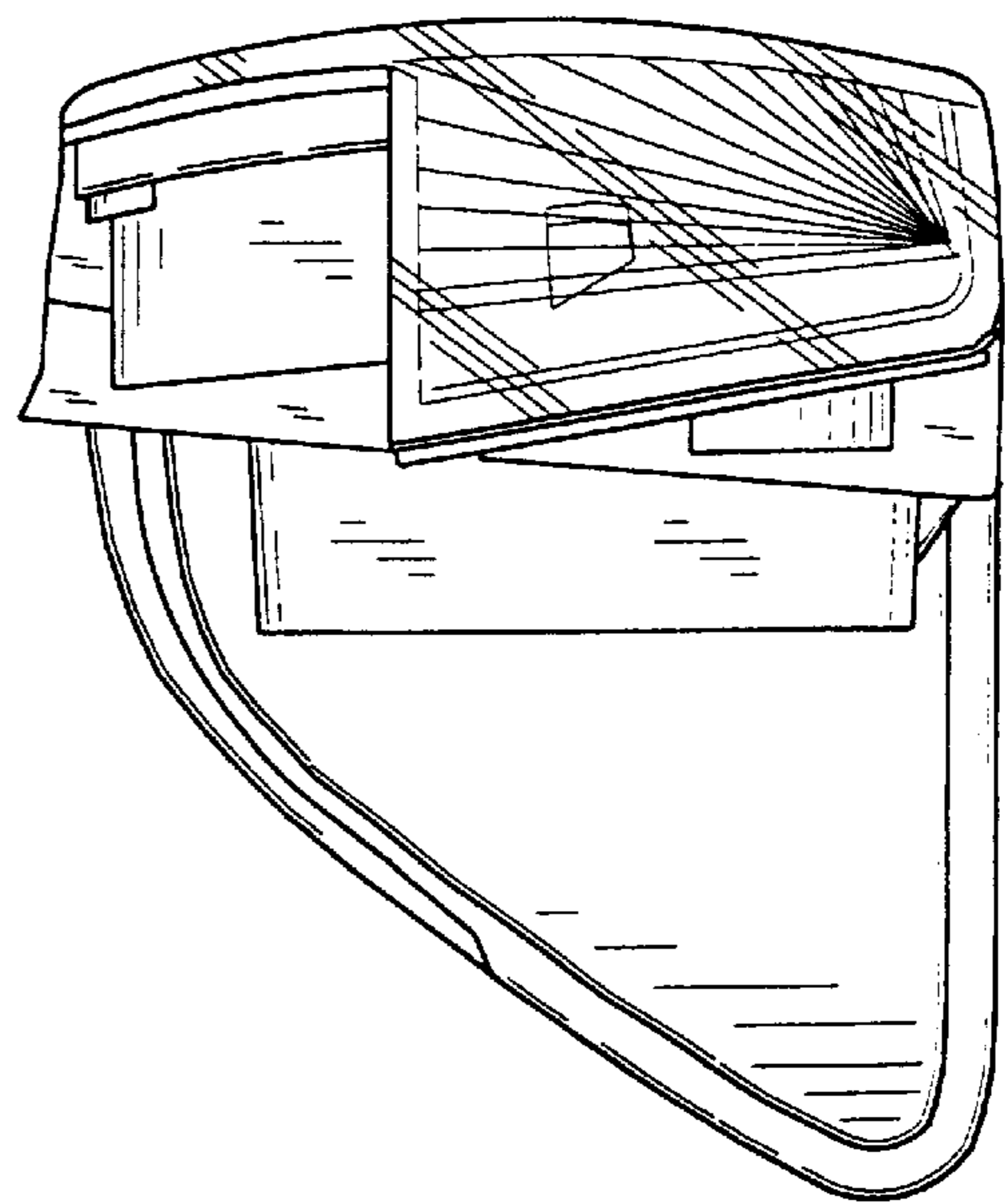
*Fig. 5*



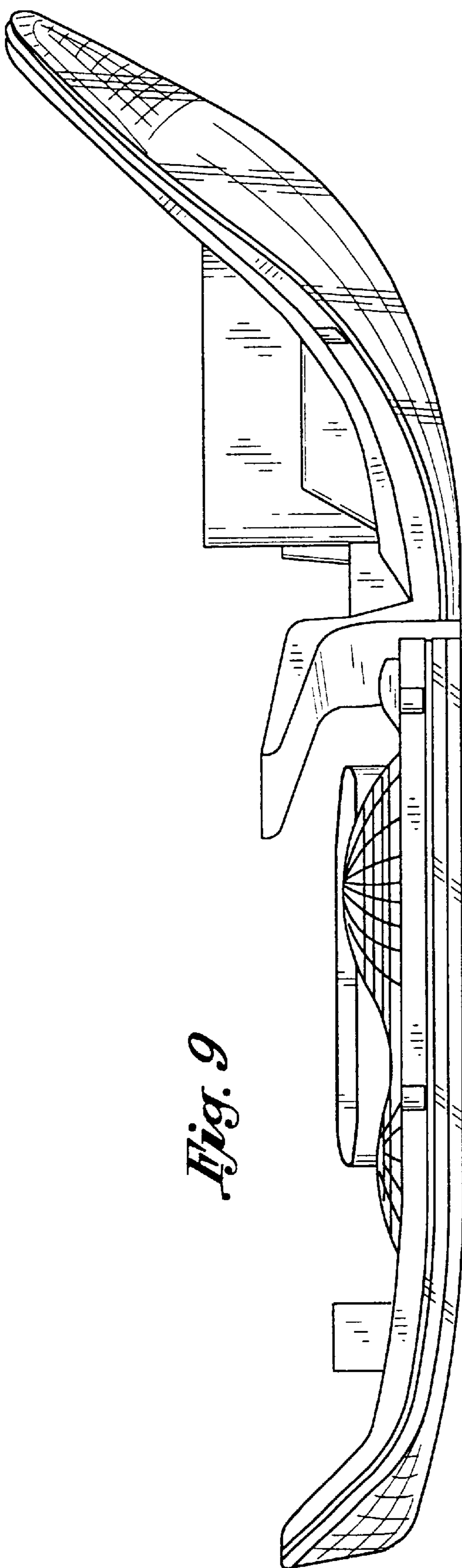
*Fig. 6*



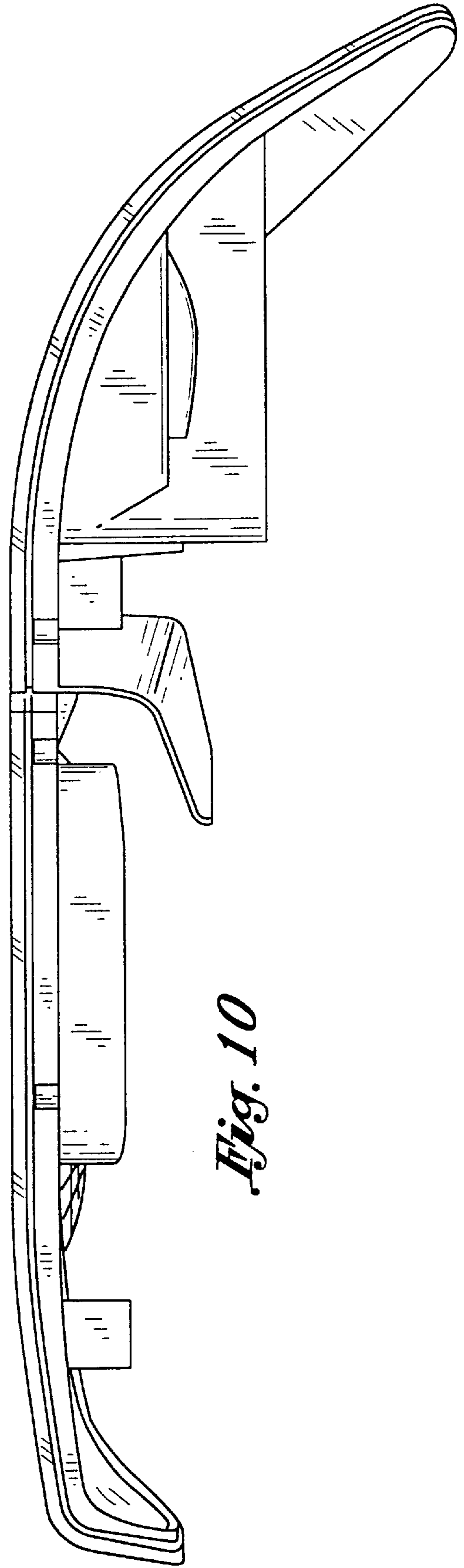
*Fig. 8*



*Fig. 7*



*Fig. 9*



*Fig. 10*