



US00D474287S

(12) **United States Design Patent**
Gresham et al.

(10) **Patent No.:** **US D474,287 S**

(45) **Date of Patent:** **** May 6, 2003**

(54) **PARTITION TRIM**

(75) Inventors: **David M. Gresham**, E. Grand Rapids, MI (US); **Karl Heinz Mueller**, E. Grand Rapids, MI (US); **Karl J. Mead**, E. Grand Rapids, MI (US)

(73) Assignee: **Steelcase Development Corporation**, Caledonia, MI (US)

(**) Term: **14 Years**

(21) Appl. No.: **29/158,194**

(22) Filed: **Mar. 29, 2002**

(51) **LOC (7) Cl.** **25-01**

(52) **U.S. Cl.** **D25/136**

(58) **Field of Search** D25/58, 138, 136, D25/60; 52/243, 465, 800.1, 800.11, 802.11, 802.1, 716.1, 716.8, 717.01

(56) **References Cited**

U.S. PATENT DOCUMENTS

3,807,102 A	4/1974	Albinson et al.	
4,035,972 A	7/1977	Timmons	
4,611,448 A	9/1986	De Long	
4,891,922 A	1/1990	Hozer et al.	
4,947,601 A	8/1990	McGuire	
4,949,519 A	8/1990	Jeffers	
5,070,666 A	12/1991	Looman	
5,175,969 A	1/1993	Knauf et al.	
5,274,975 A	* 1/1994	Haag 52/465	
5,347,778 A	9/1994	Bray	
5,377,466 A	1/1995	Insalaco et al.	
5,433,046 A	7/1995	MacQuarrie et al.	
5,560,169 A	10/1996	Palmer	
5,600,926 A	2/1997	Ehrlich	
5,642,593 A	7/1997	Shieh	
5,737,893 A	4/1998	Rossiter et al.	
5,839,240 A	11/1998	Elsholz et al.	
5,875,596 A	3/1999	Muller	
5,881,518 A	3/1999	Edwards et al.	
5,939,240 A	8/1999	Kobayashi	
5,970,675 A	10/1999	Schray	
D417,015 S	* 11/1999	Chau et al. D25/136	

6,009,675 A	1/2000	Waalkes et al.
6,052,958 A	4/2000	Miedema et al.
6,098,358 A	8/2000	Waalkes et al.
6,223,485 B1	5/2001	Beck et al.
6,260,324 B1	7/2001	Miedema et al.
6,276,103 B1	8/2001	Waalkes et al.
6,282,854 B1	9/2001	Vos et al.
6,314,687 B1	11/2001	Schondelmayer et al.

* cited by examiner

Primary Examiner—Doris Clark

(74) *Attorney, Agent, or Firm*—Price Heneveld Cooper Dewitt & Litton

(57) **CLAIM**

We claim the ornamental design for a partition trim, as shown and described.

DESCRIPTION

FIG. 1 is a perspective view of a corner section of a partition trim embodying our design;

FIG. 2 is a side view of FIG. 1;

FIG. 3 is a front view of FIG. 1, the rear being a mirror image thereof; and

FIG. 4 is a top view of FIG. 1.

FIG. 5 is a perspective view of a corner section of a second embodiment of a partition trim embodying our design;

FIG. 6 is a side view of FIG. 5;

FIG. 7 is a front view of FIG. 5, the rear being a mirror image thereof; and

FIG. 8 is a top view of FIG. 5.

FIG. 9 is a perspective view of a corner section of a third embodiment of a partition trim embodying our design;

FIG. 10 is a side view of FIG. 9;

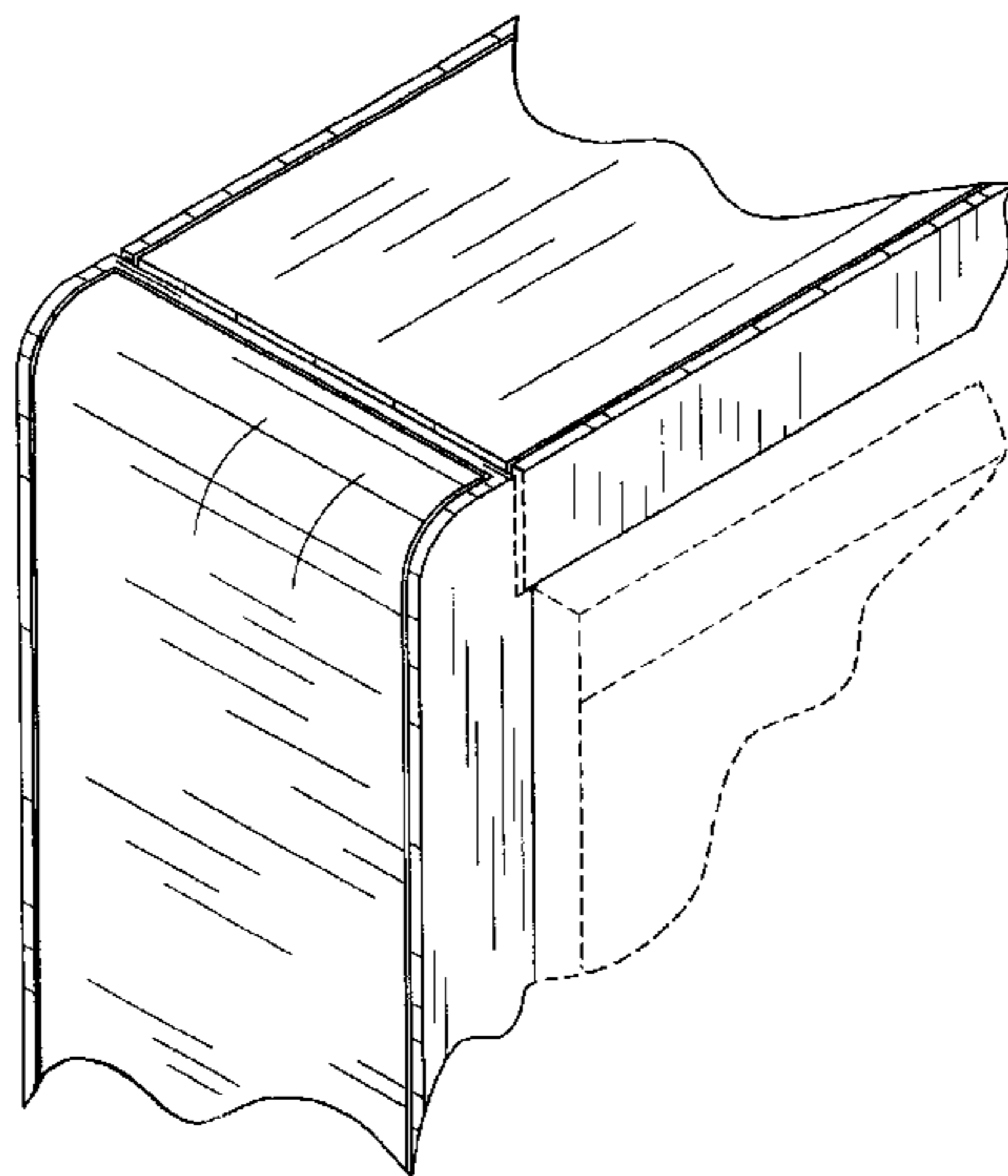
FIG. 11 is a front view of FIG. 9, the rear being a mirror image thereof; and,

FIG. 12 is a top view of FIG. 9.

The broken lines in FIGS. 1–12 are to show the environment and do not form a part of the present invention.

The claimed design is broken on the ends to indicate indefinite length.

1 Claim, 3 Drawing Sheets



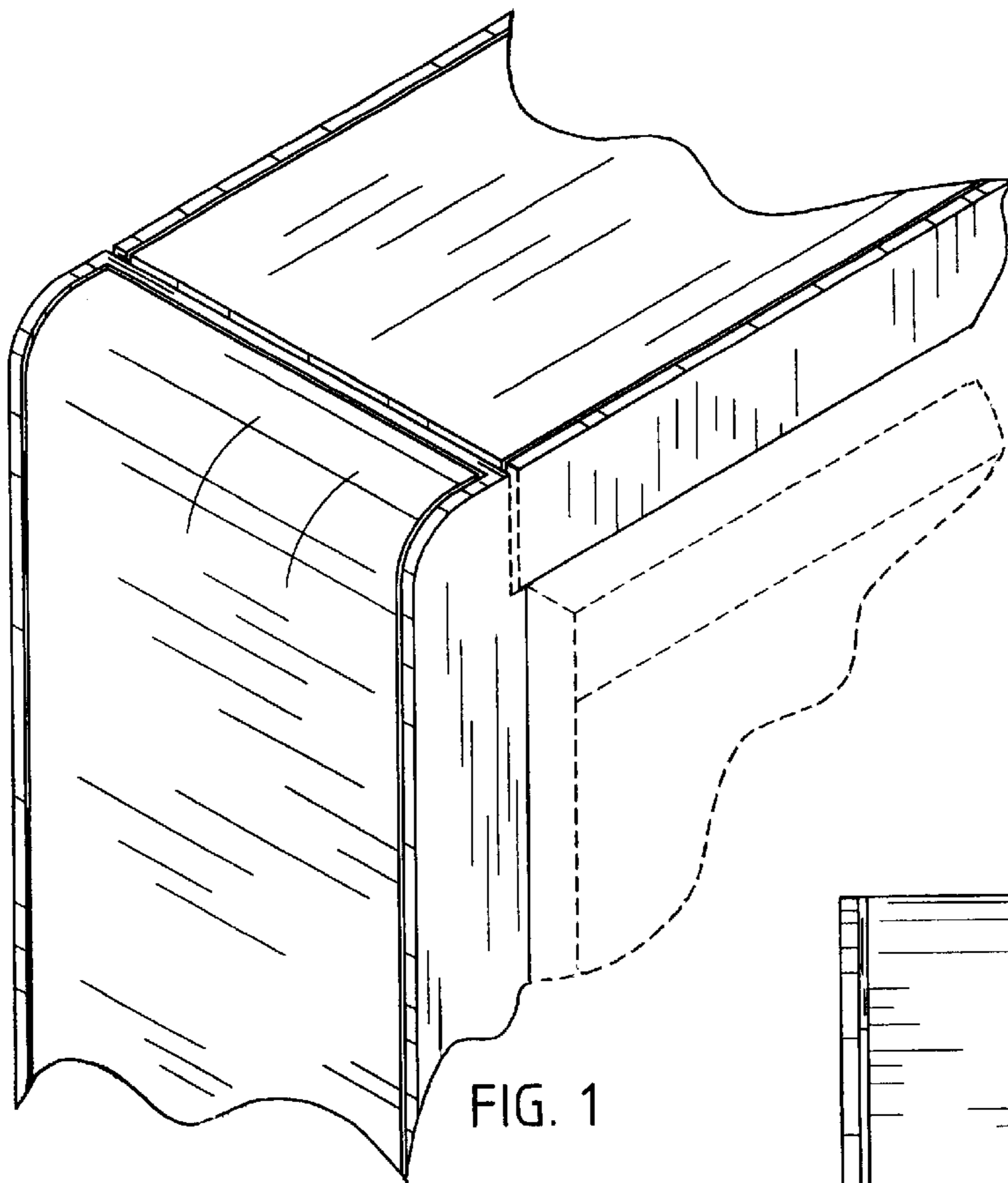


FIG. 1

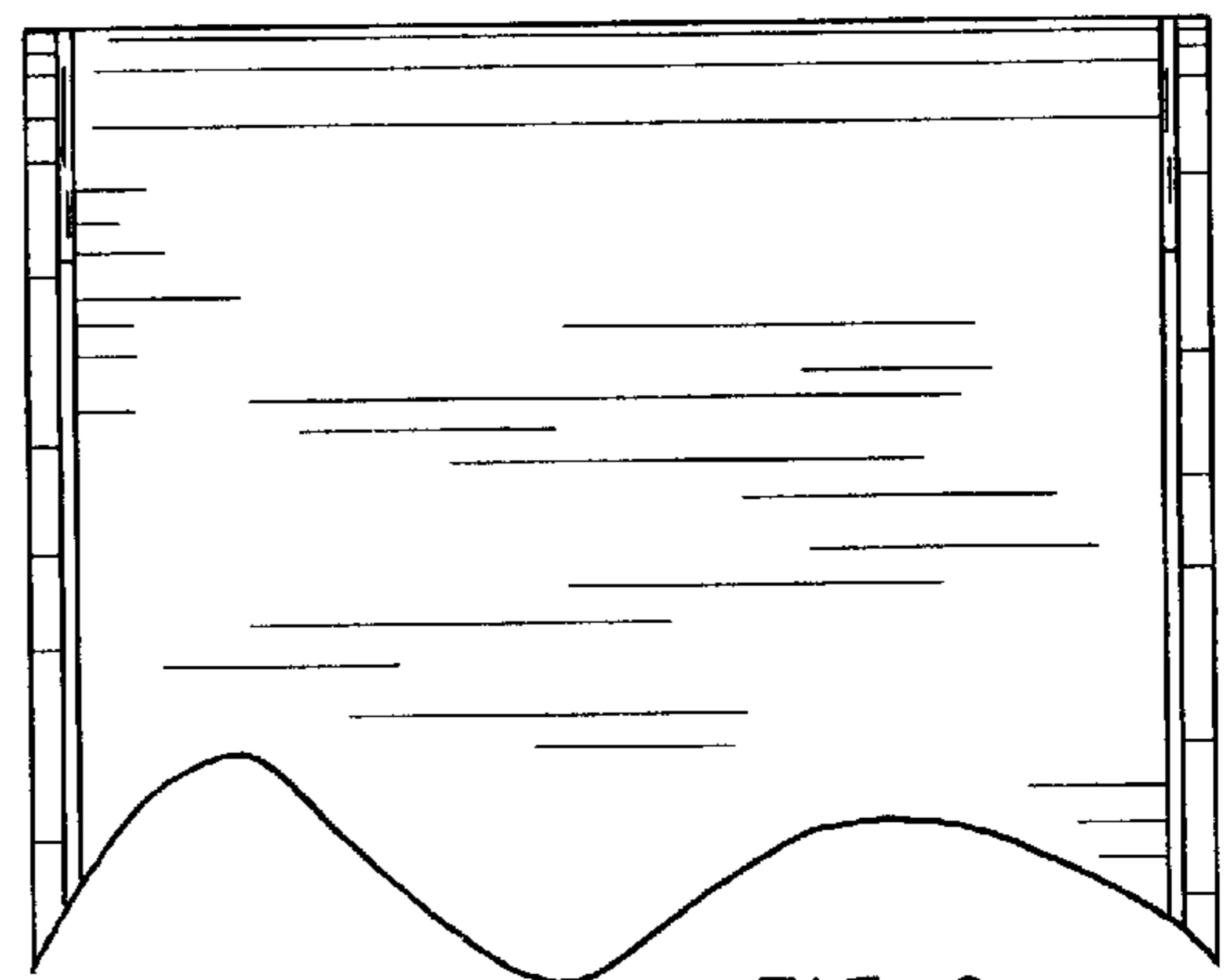


FIG. 2

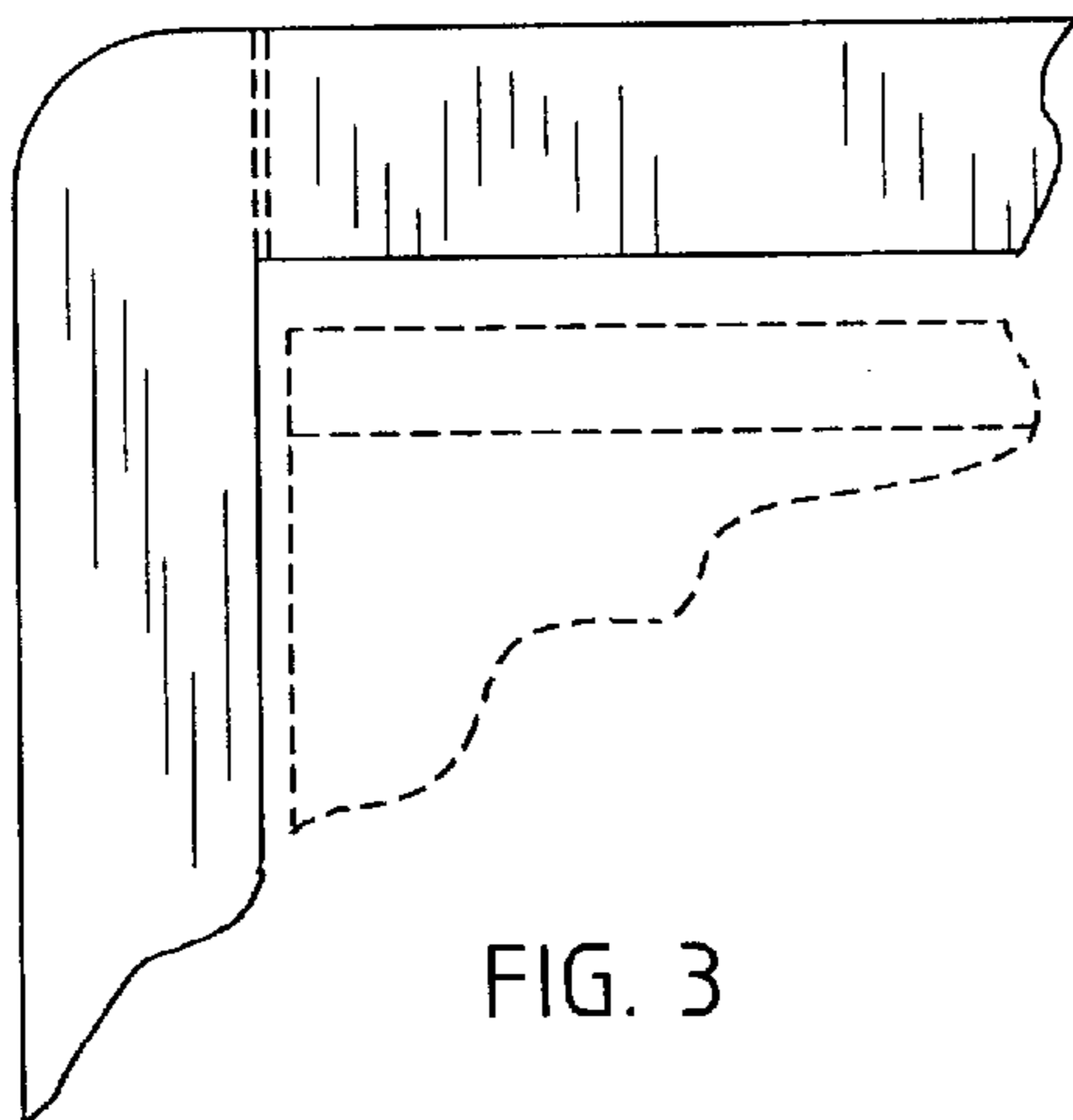


FIG. 3

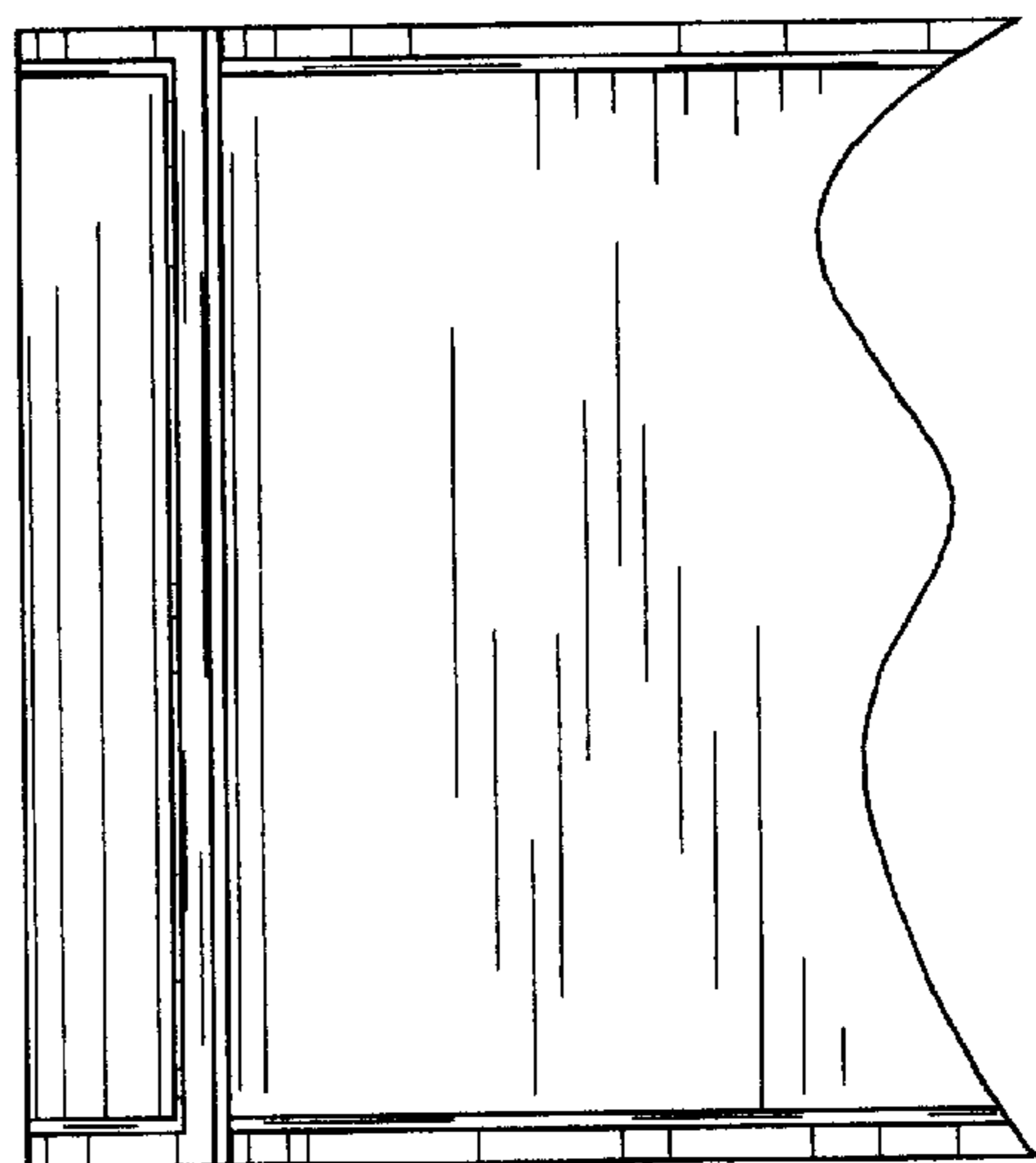


FIG. 4

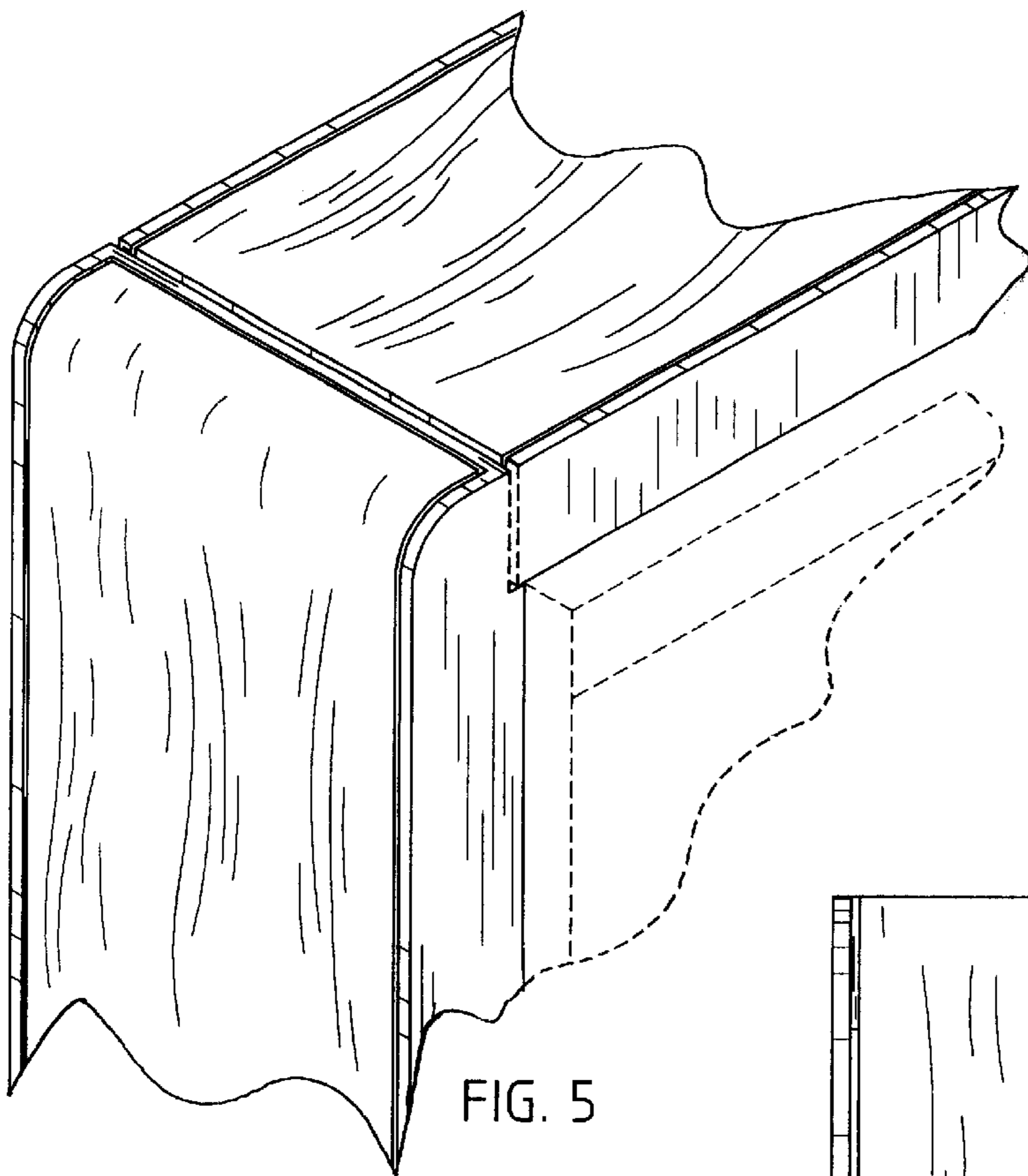


FIG. 5

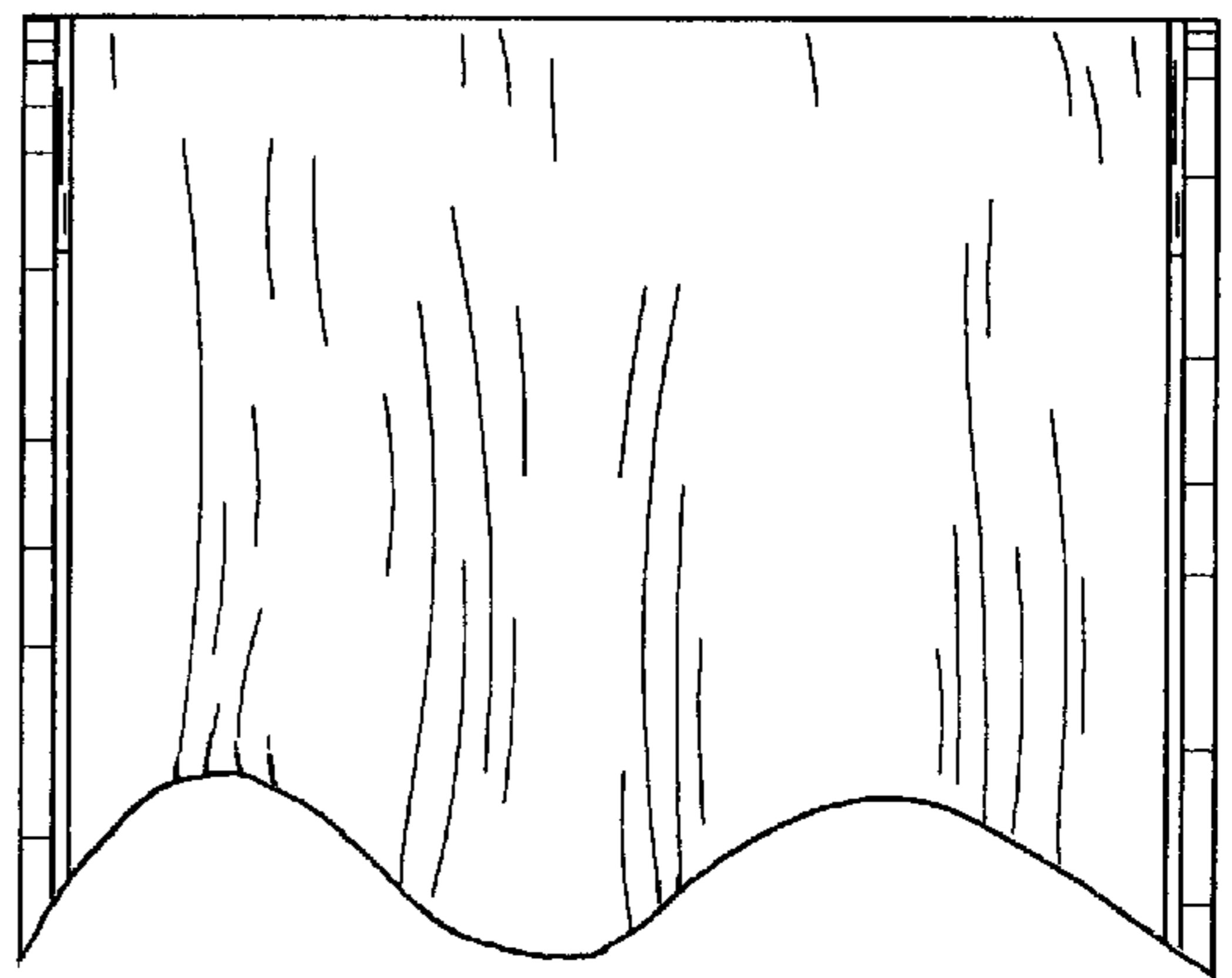


FIG. 6

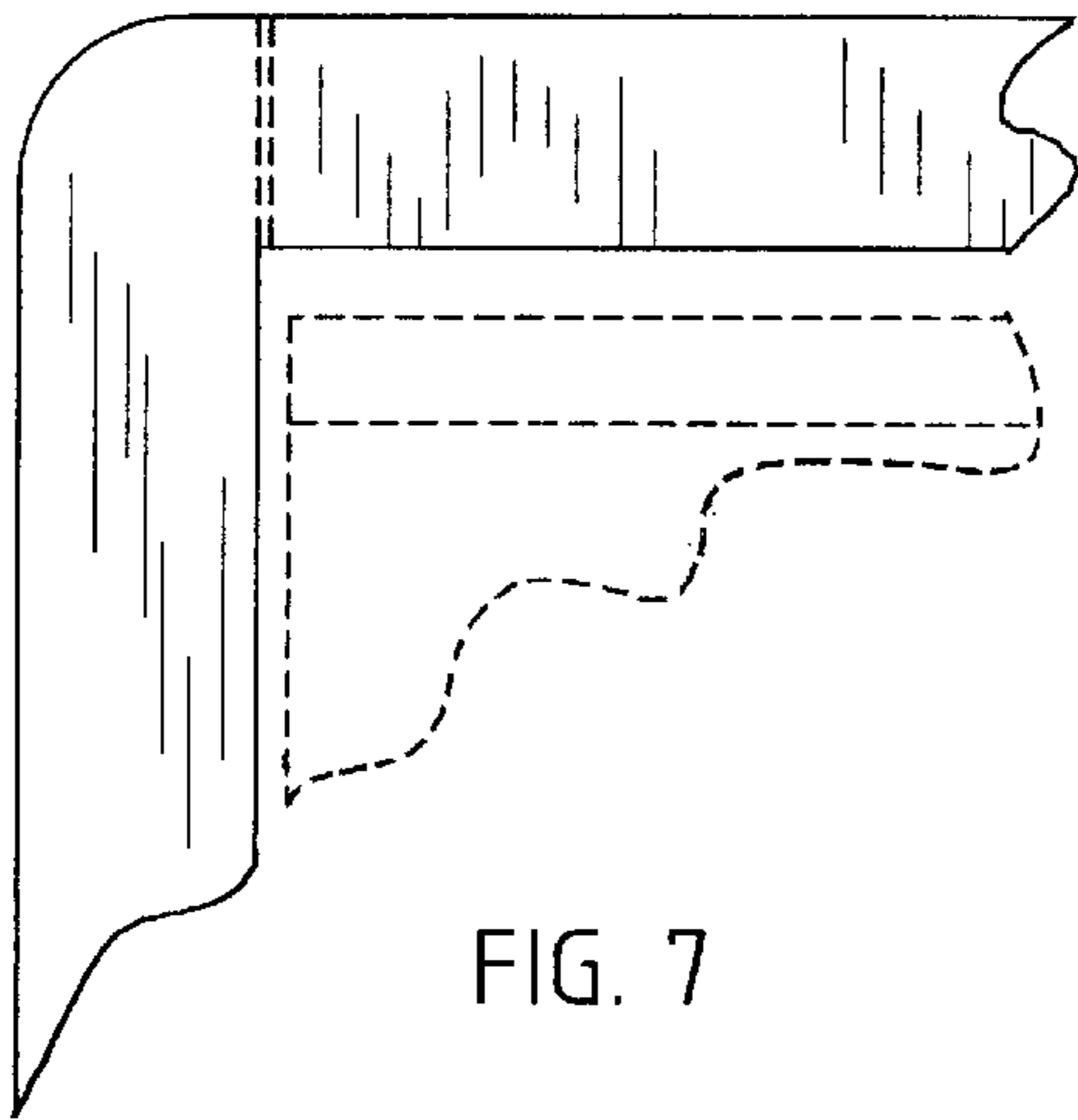


FIG. 7

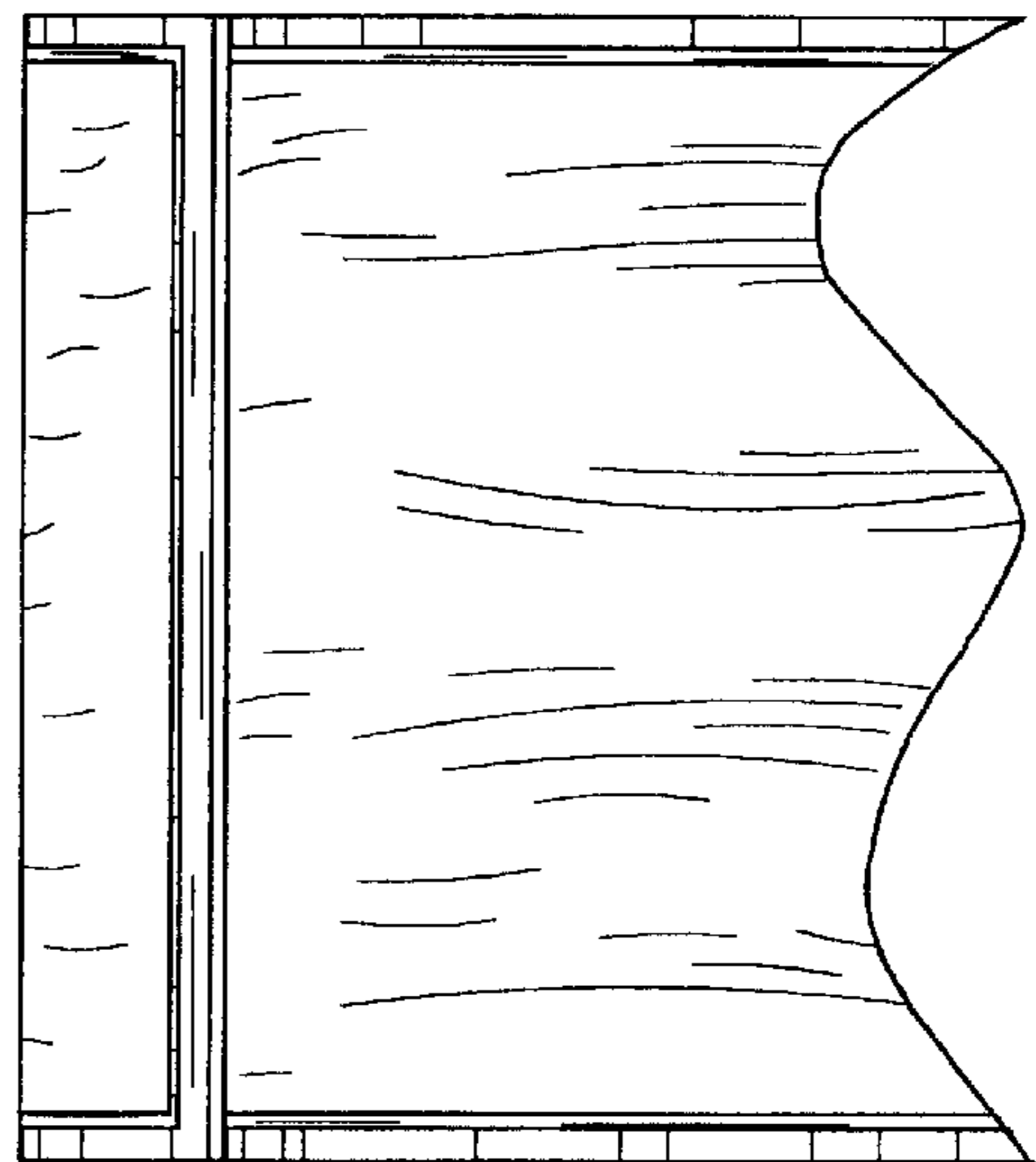


FIG. 8

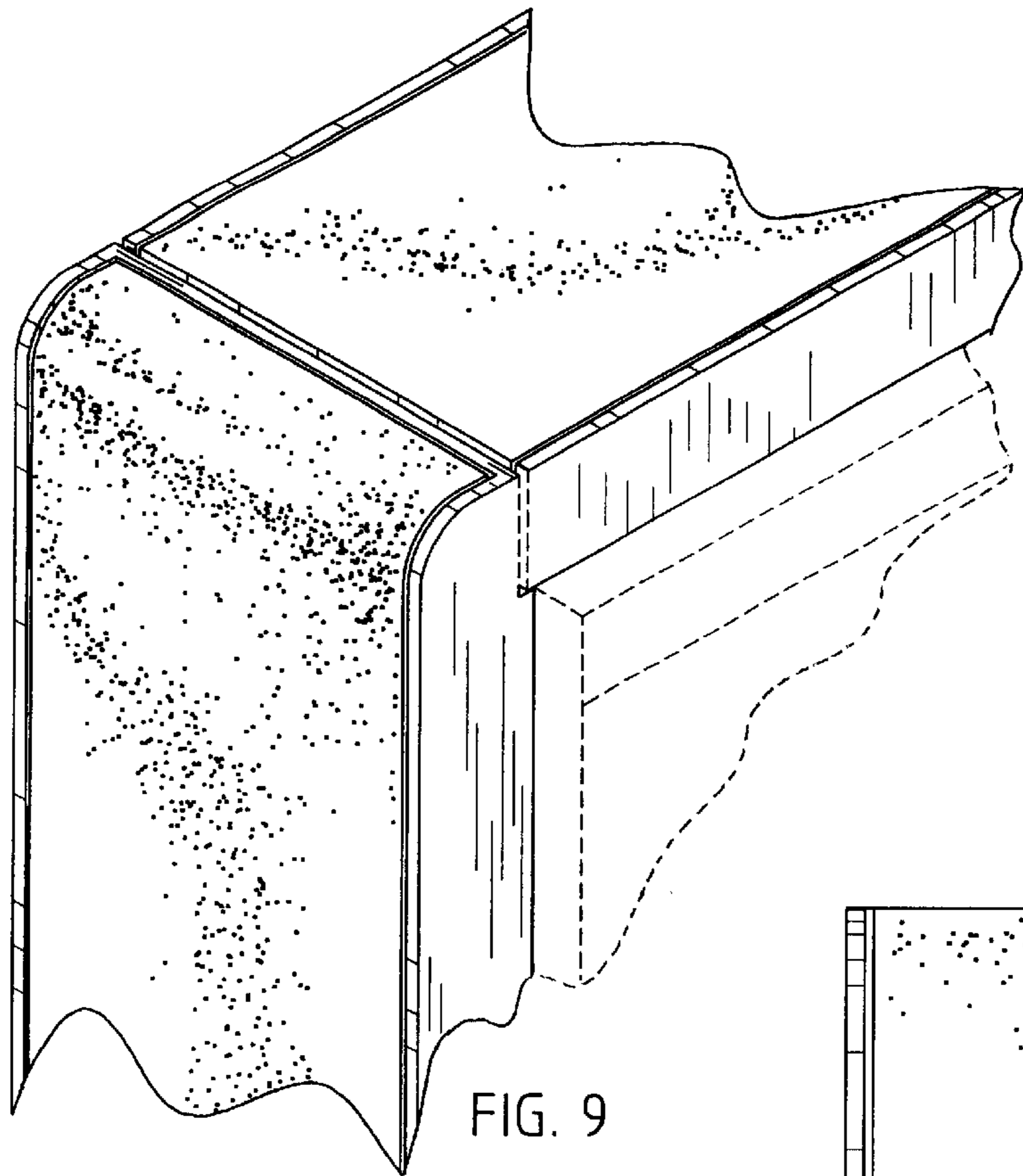


FIG. 9

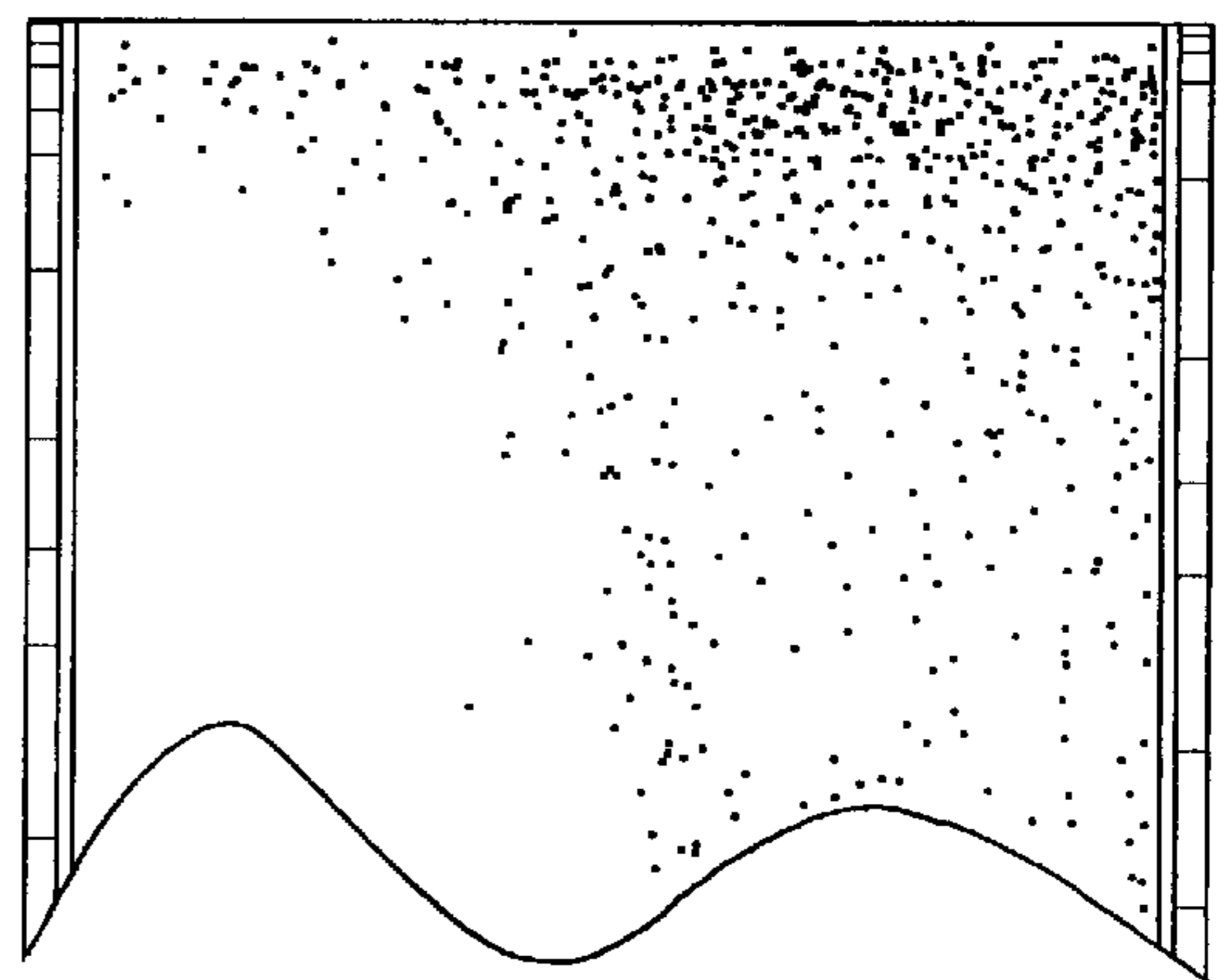


FIG. 10

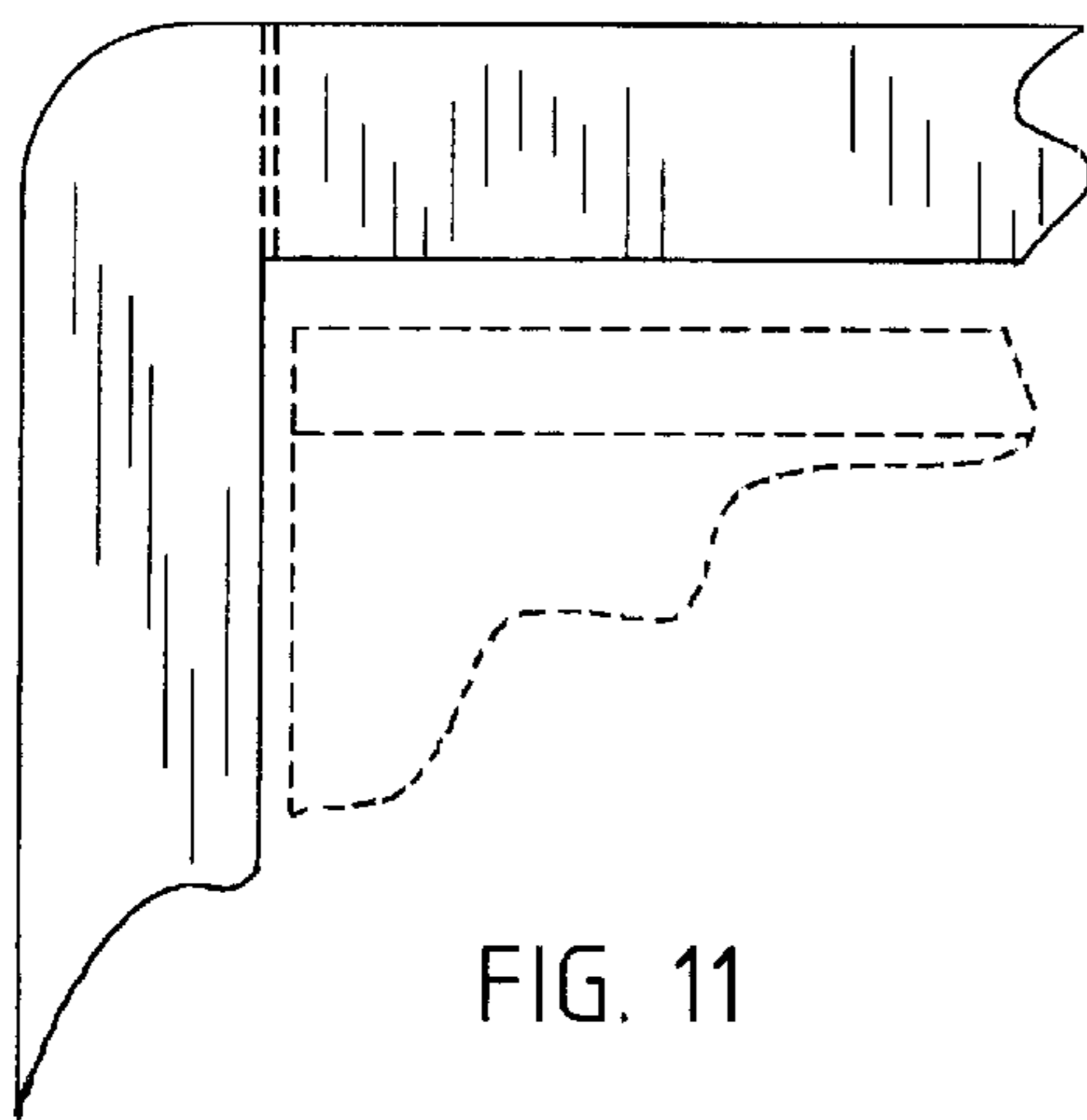


FIG. 11

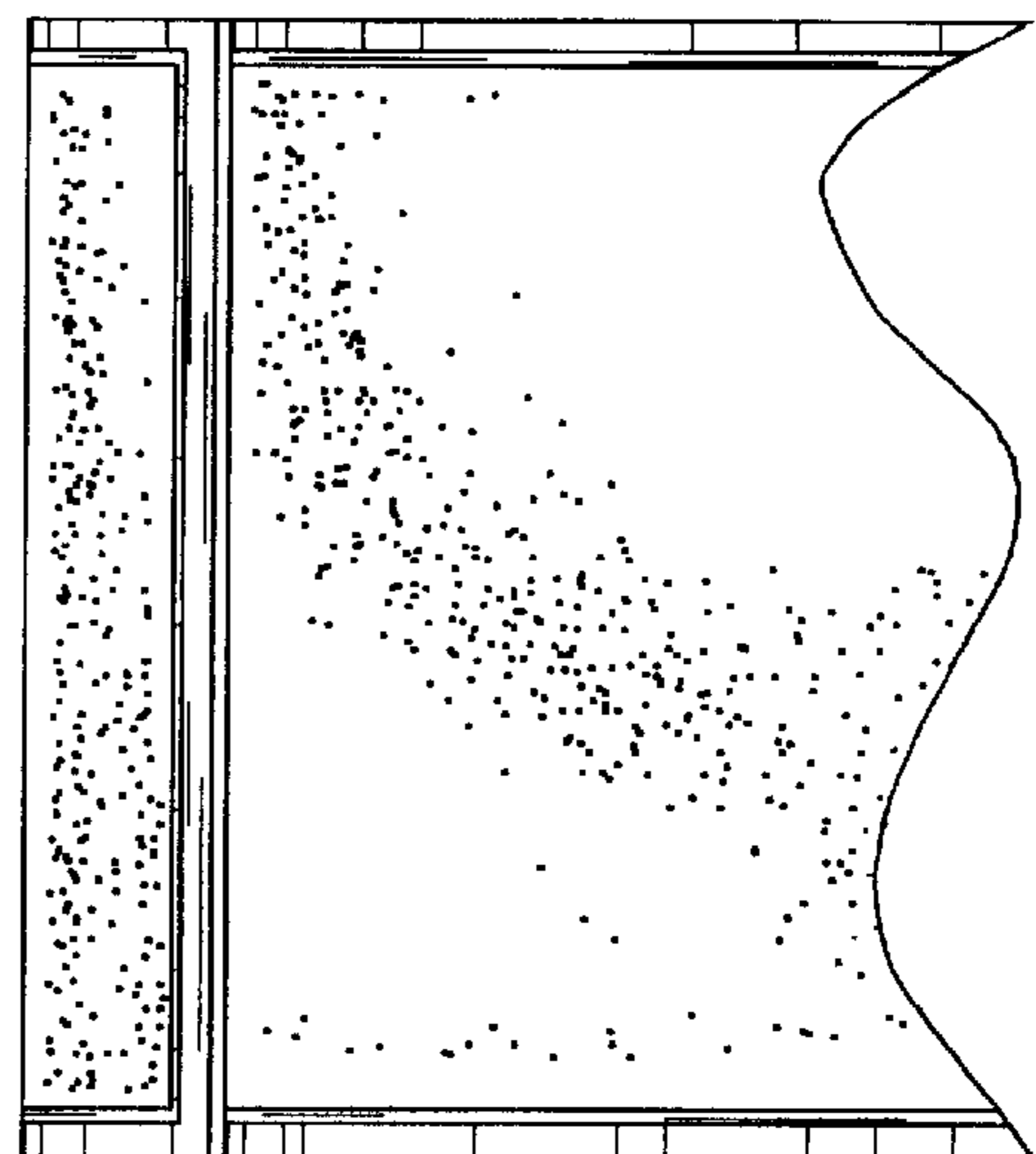


FIG. 12