



US00D474284S

(12) **United States Design Patent**
Spencer et al.

(10) **Patent No.:** **US D474,284 S**

(45) **Date of Patent:** **** May 6, 2003**

(54) **DEPTH LIMITING FOOTING FOR A HOLLOW FRAME LADDER**

5,918,699 A 7/1999 Summers
6,196,353 B1 * 3/2001 Howard 182/108

(76) Inventors: **Royce A. Spencer**, 4505 Canvasback Dr., Gloucester, VA (US) 23061; **Robert T. Carter**, 1470 Sandycreek Rd., West Point, VA (US) 23181

* cited by examiner

Primary Examiner—Doris Clark
(74) *Attorney, Agent, or Firm*—Norman Rainer

(**) Term: **14 Years**

(57) **CLAIM**

The ornamental design for a depth limiting footing for a hollow frame ladder, as shown and described.

(21) Appl. No.: **29/165,896**

(22) Filed: **Aug. 20, 2002**

DESCRIPTION

(51) **LOC (7) Cl.** **25-04**

(52) **U.S. Cl.** **D25/68**

(58) **Field of Search** D25/68, 69; 182/107, 182/108, 109

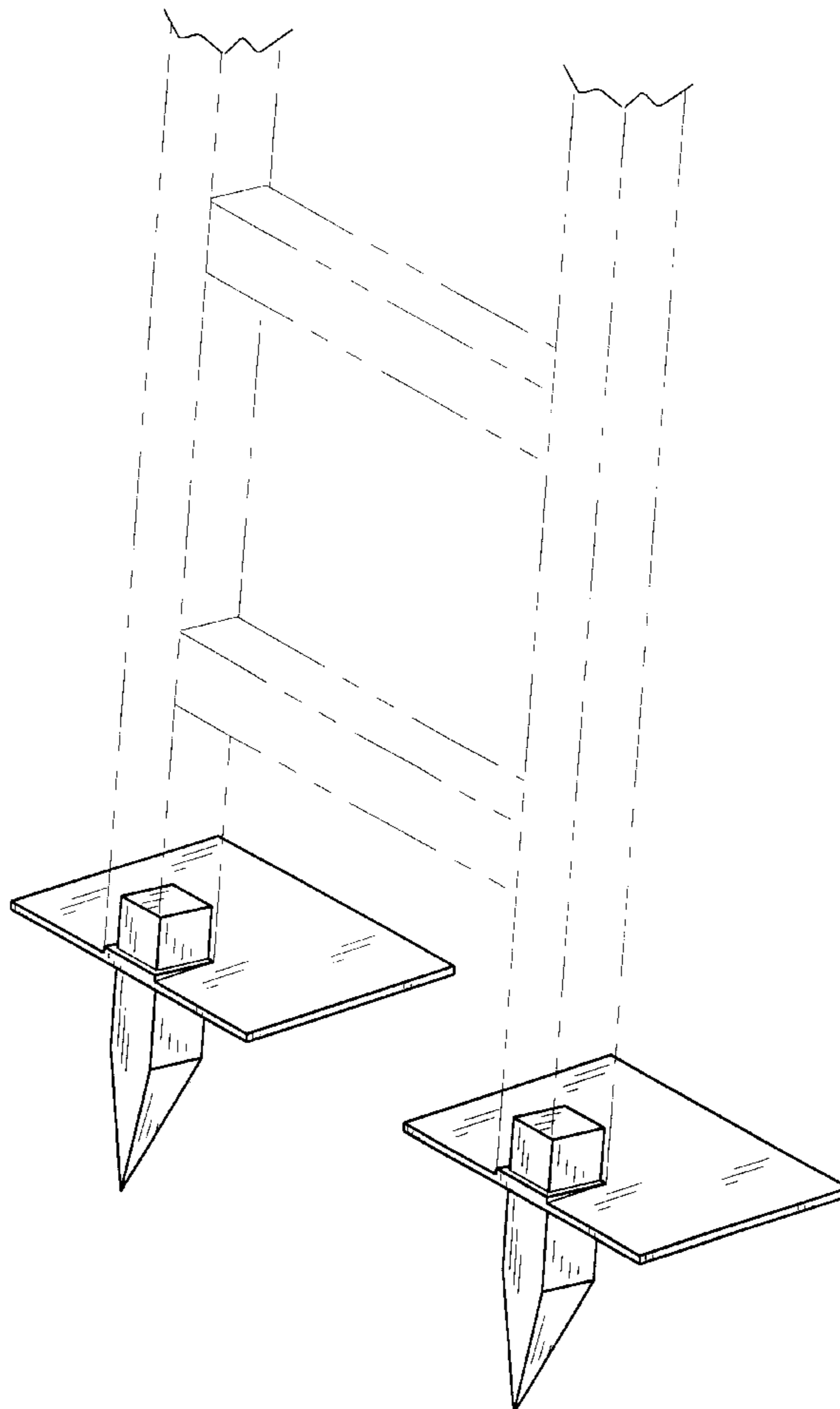
FIG. 1 is a top and front perspective view of a depth limiting footing for a hollow frame ladder showing our new design; FIG. 2 is a front view thereof; FIG. 3 is a side view thereof, the unshown opposite side being of identical appearance; FIG. 4 is a top view thereof; and, FIG. 5 is a perspective view of the depth limiting footing for a hollow frame ladder in operative engagement, the broken lines showing the ladder and one depth limiting footing is for illustrative purposes only and form no part of the claimed design.

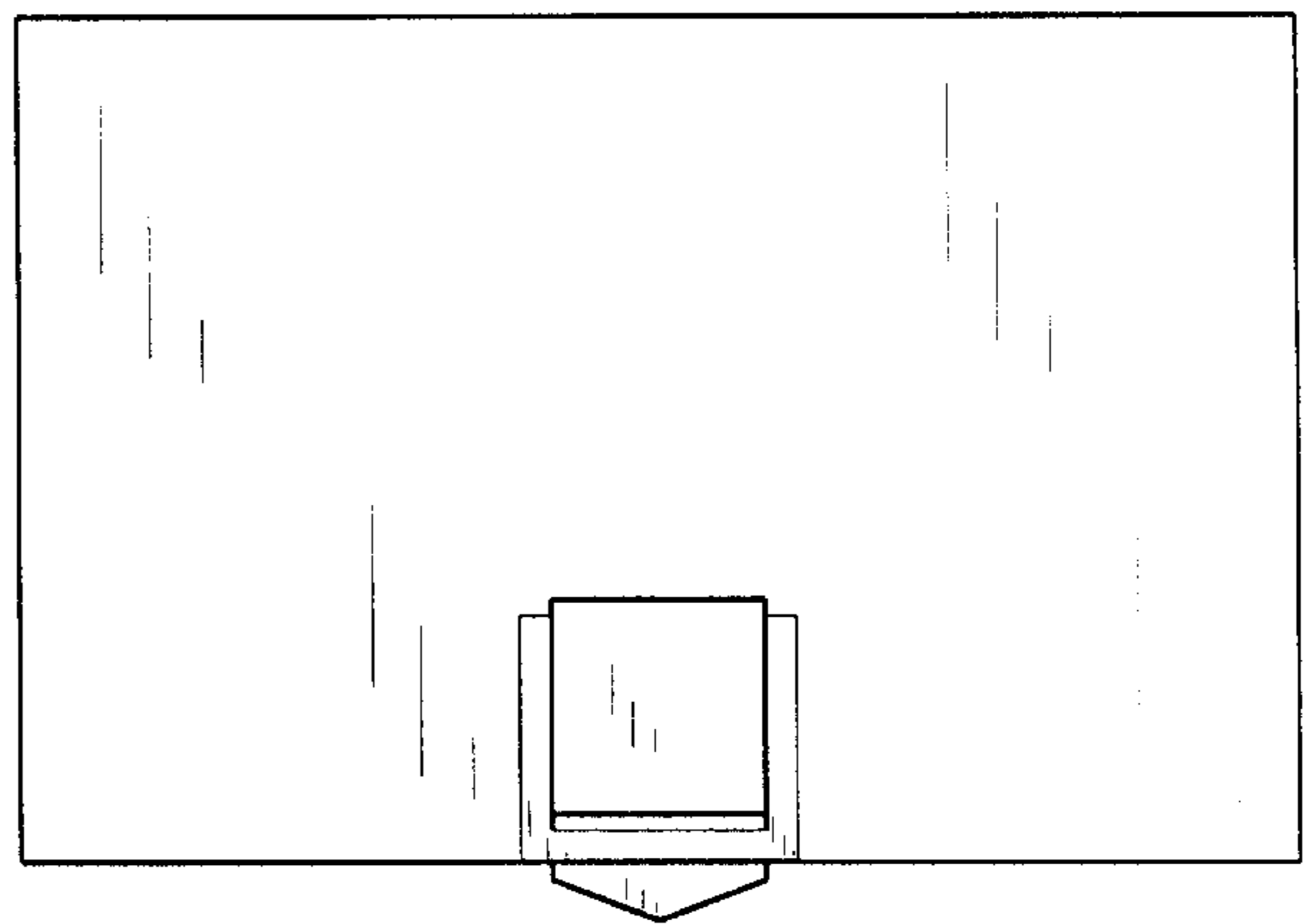
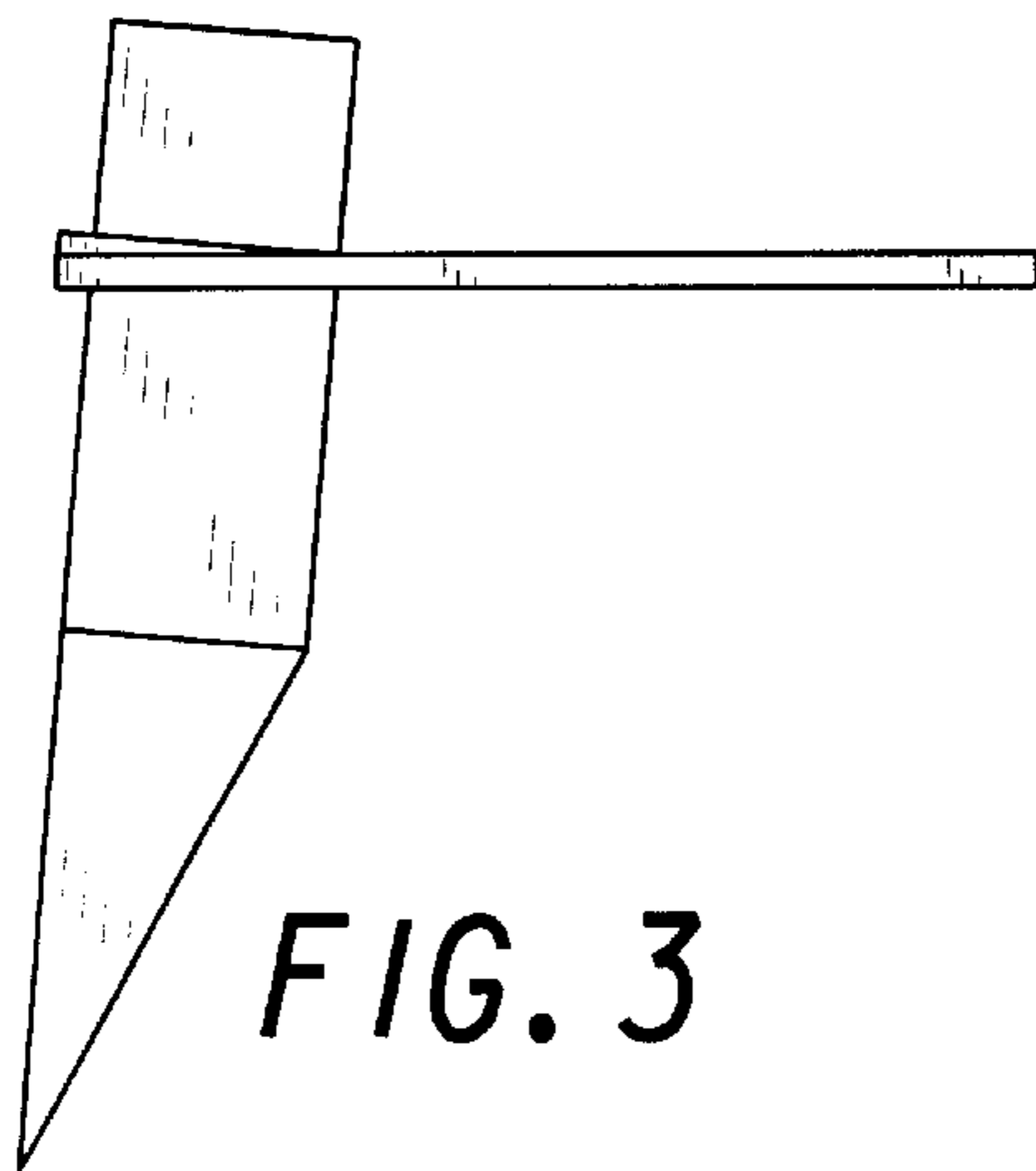
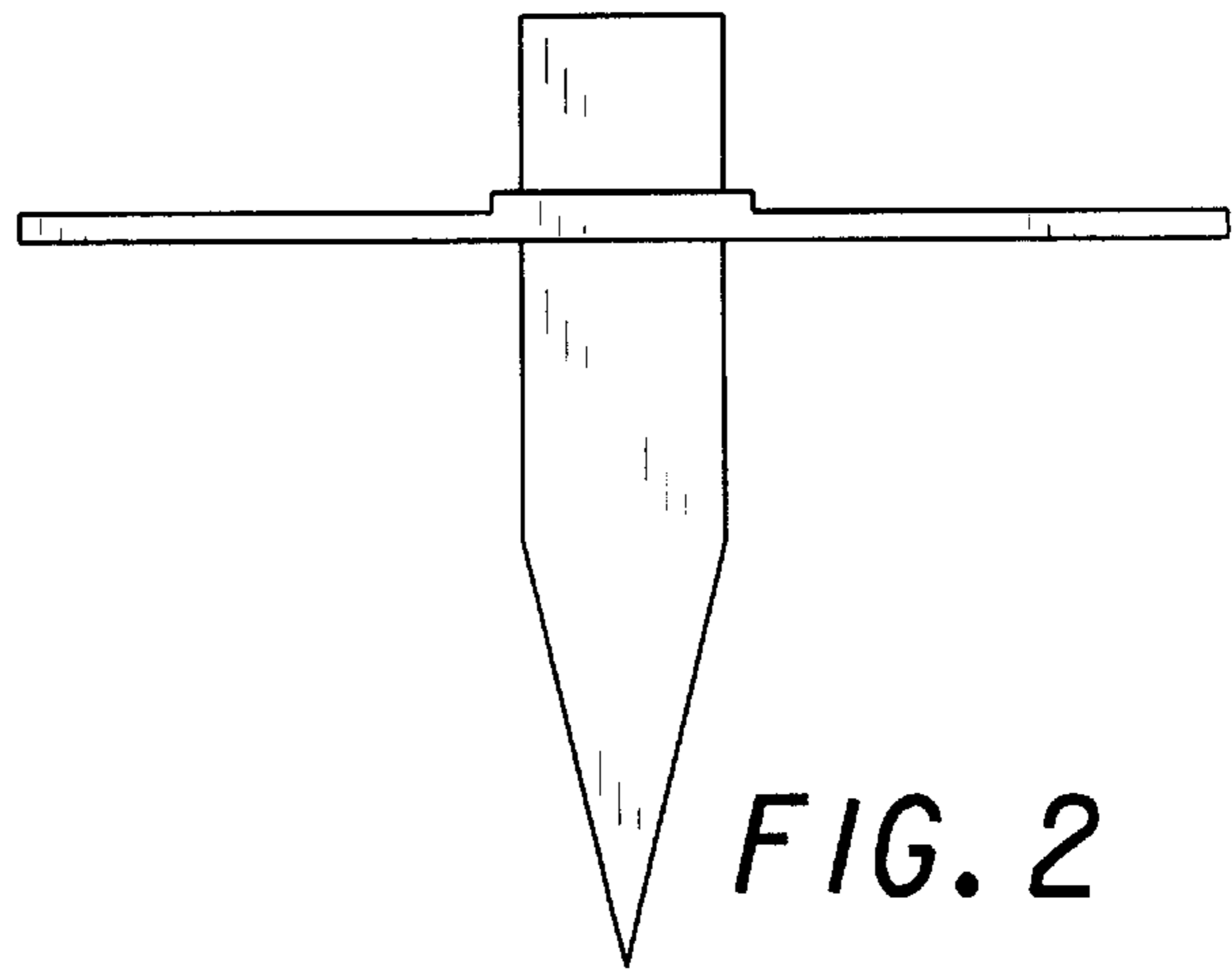
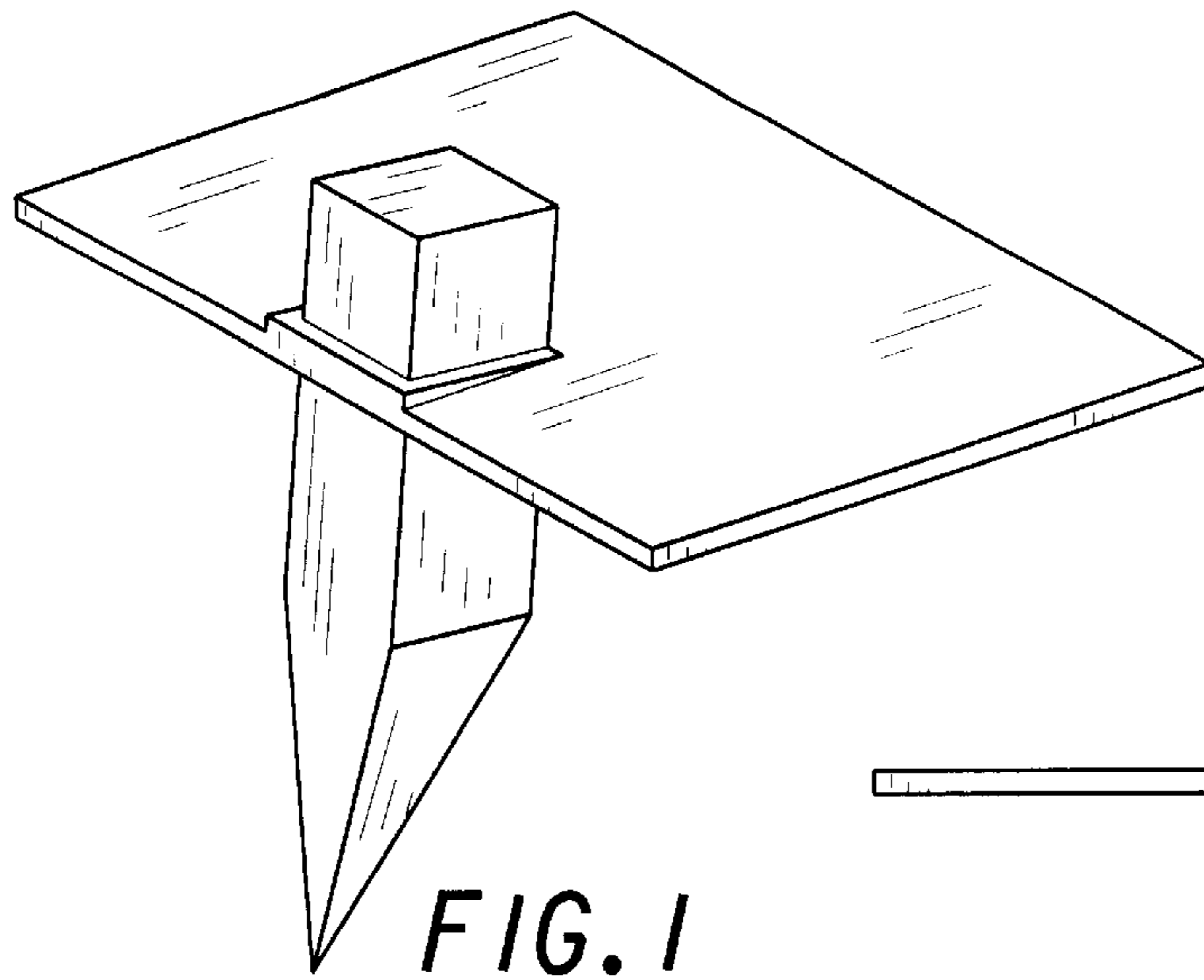
(56) **References Cited**

U.S. PATENT DOCUMENTS

- 4,576,250 A 3/1986 Marish
- 4,669,576 A 6/1987 Jones
- 5,054,579 A 10/1991 Moson
- D343,907 S * 2/1994 Porter D25/68
- 5,337,856 A 8/1994 Fillers

1 Claim, 2 Drawing Sheets





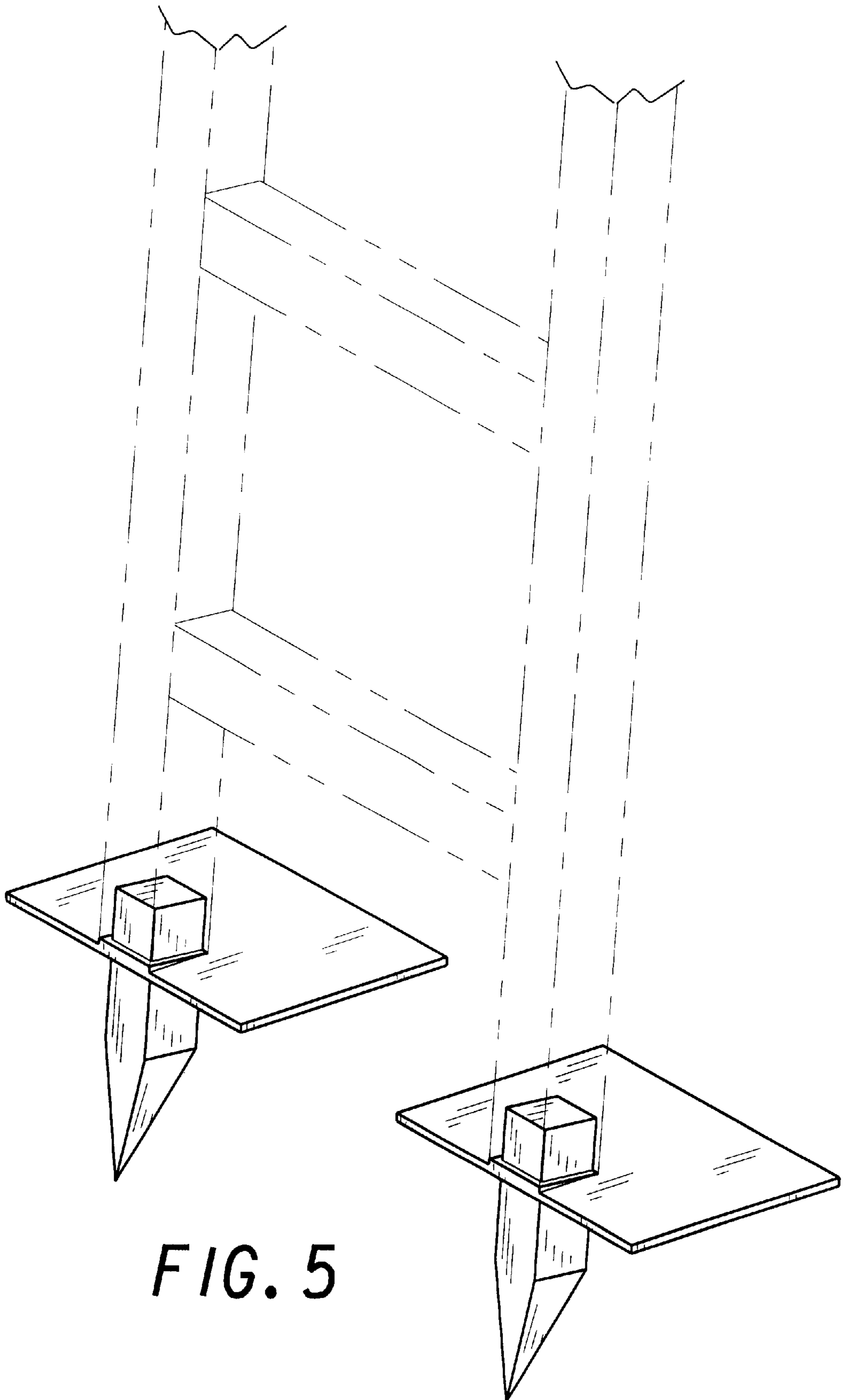


FIG. 5