



US00D474283S

(12) **United States Design Patent**
Graber

(10) **Patent No.:** **US D474,283 S**

(45) **Date of Patent:** **** May 6, 2003**

(54) **DOOR-JAMB**

5,836,118 A * 11/1998 Thornton et al. 52/204.1
5,901,510 A * 5/1999 Ellingson 52/210

(76) Inventor: **John D. Graber**, Daviess County,
Odon, IN (US) 47562

* cited by examiner

(**) Term: **14 Years**

Primary Examiner—Doris Clark
(74) *Attorney, Agent, or Firm*—Gary K. Price, Esq.

(21) Appl. No.: **29/153,694**

(22) Filed: **Jan. 14, 2002**

(57) **CLAIM**

(51) **LOC (7) Cl.** **25-02**

(52) **U.S. Cl.** **D25/60**

(58) **Field of Search** 52/204.1, 213,
52/210; D25/48, 199, 55, 60

The ornamental design for a door-jamb, as shown and described.

DESCRIPTION

FIG. 1 is a top perspective view showing my design; and, FIG. 2 is a bottom perspective view thereof.

(56) **References Cited**

U.S. PATENT DOCUMENTS

D217,713 S * 6/1970 Miller D25/60

1 Claim, 1 Drawing Sheet

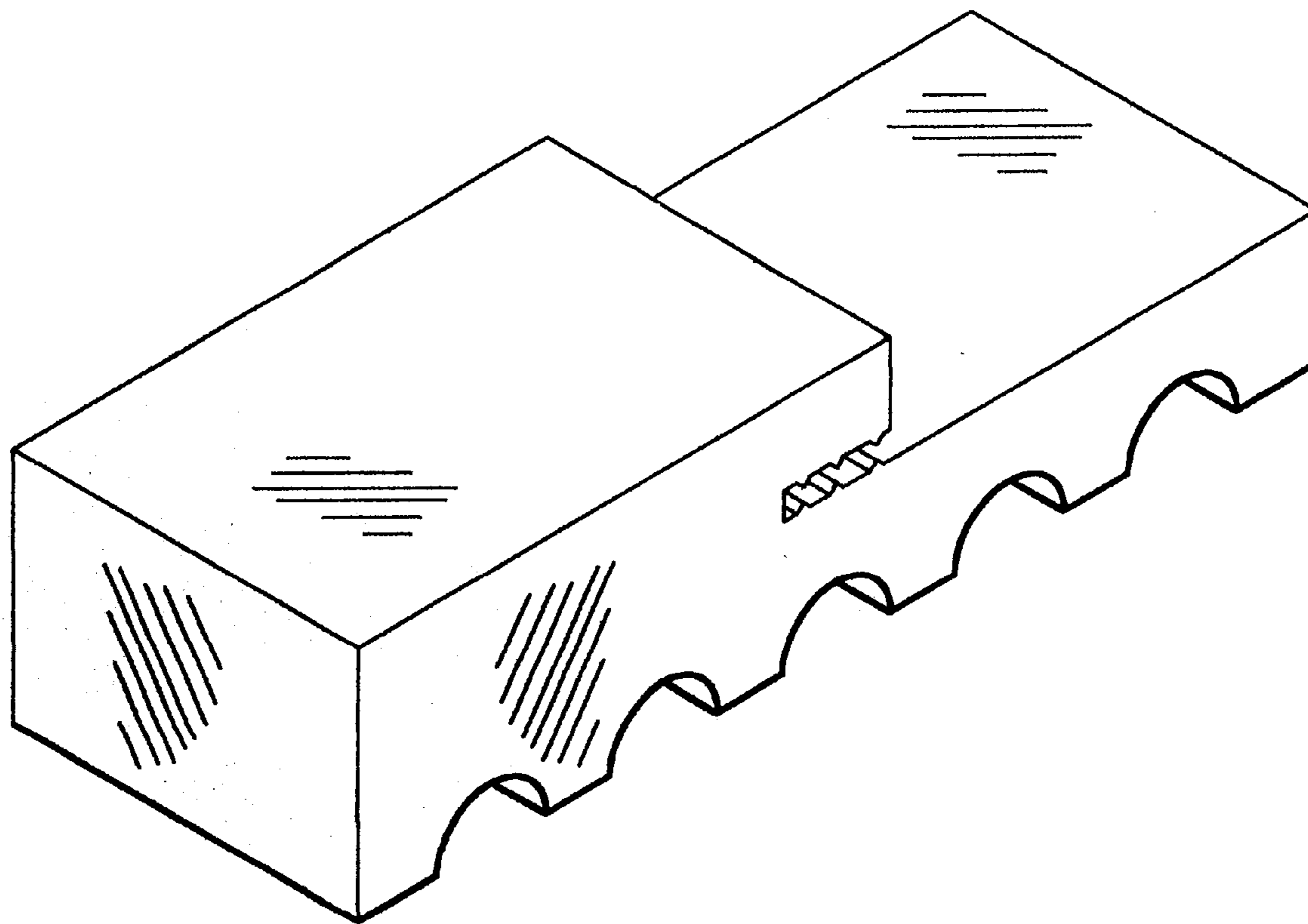


Fig. 1

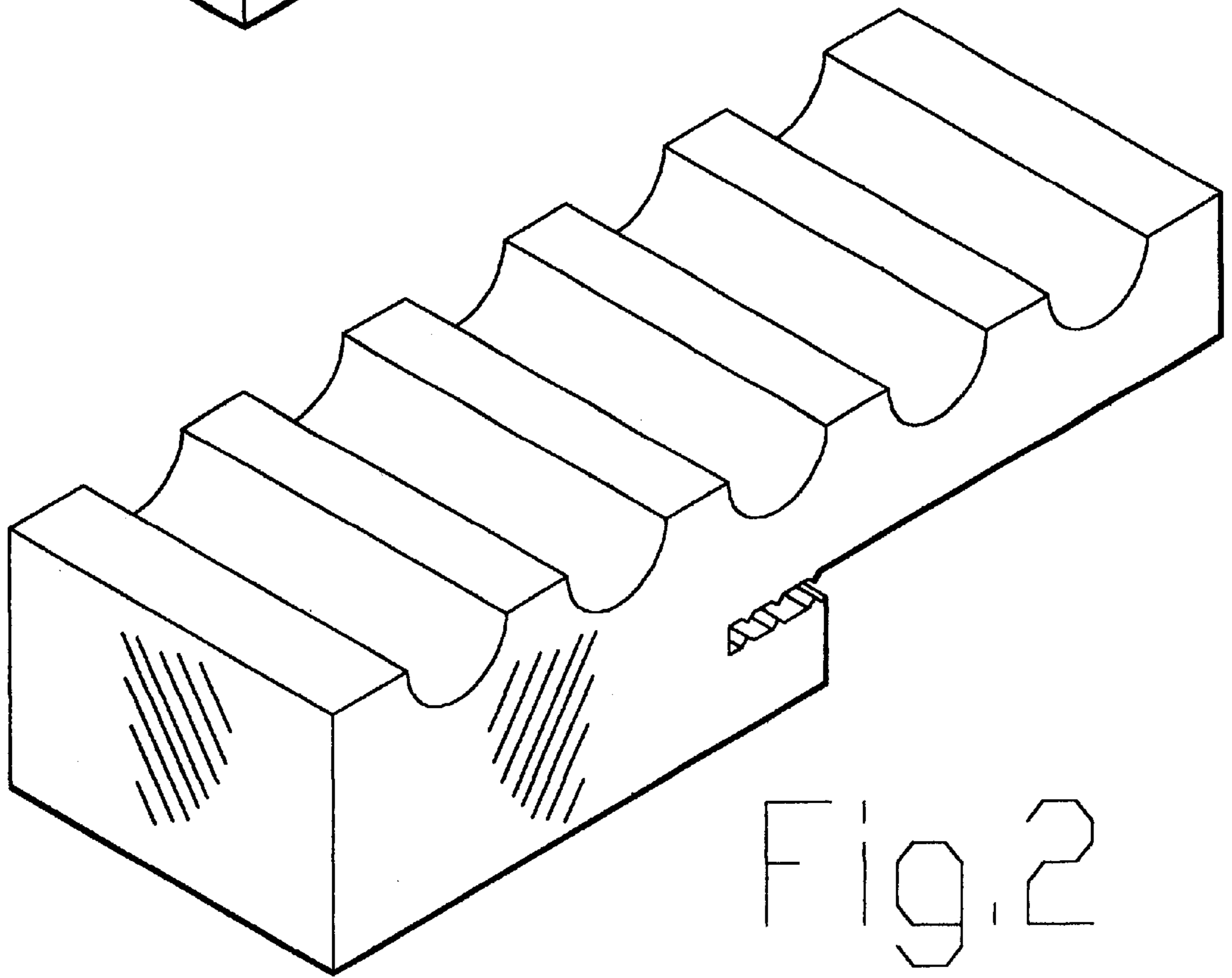
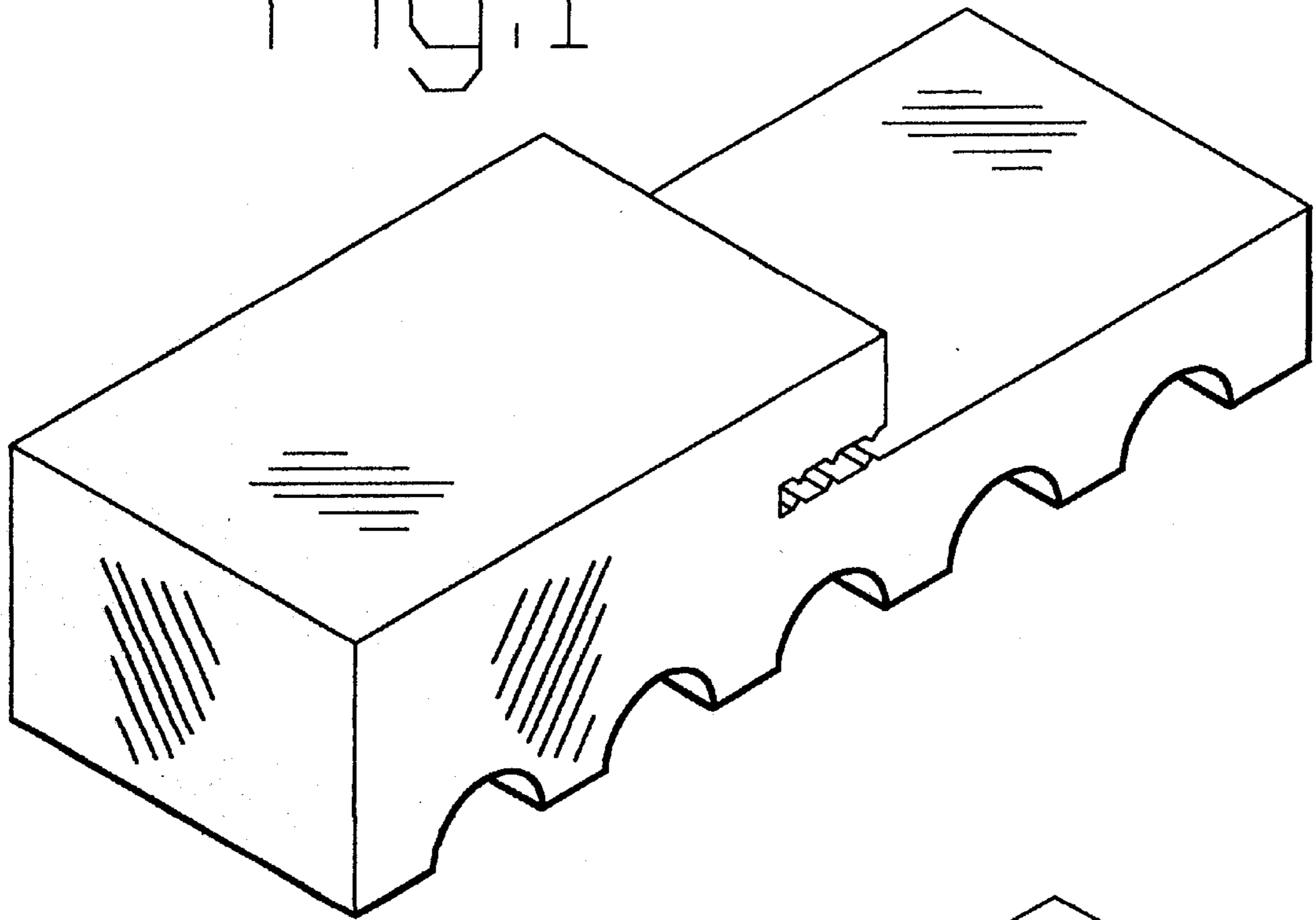


Fig. 2