



US00D474281S

(12) **United States Design Patent**  
**Hansen**

(10) **Patent No.:** **US D474,281 S**

(45) **Date of Patent:** **\*\* May 6, 2003**

(54) **GRAB RAIL HAVING A SECURE SUPPORT MEMBER CONNECTION**

*Primary Examiner*—Doris Clark  
(74) *Attorney, Agent, or Firm*—Dority & Manning, P.A.

(76) **Inventor:** **Randall C. Hansen**, 6 Old Mill Ct.,  
Columbia, SC (US) 29206

(57) **CLAIM**

(\*\*) **Term:** **14 Years**

I claim the ornamental design for a grab rail having a secure support member connection, as shown and described.

(21) **Appl. No.:** **29/152,518**

**DESCRIPTION**

(22) **Filed:** **Dec. 19, 2001**

FIG. 1 is a perspective view of a grab rail having a secure support member connection. The grab rail is shown attached to a wall. The broken lines are for illustrative purposes only and form no part of the claimed design.

(51) **LOC (7) Cl.** ..... **25-02**

(52) **U.S. Cl.** ..... **D25/38**

(58) **Field of Search** ..... 182/206, 113;  
256/59, 65; D25/38

FIG. 2 is a perspective view of the grab rail having the secure support member connection. The grab rail is shown with the length of the rail being broken for clarity.

(56) **References Cited**

**U.S. PATENT DOCUMENTS**

4,220,316 A	9/1980	Naka et al.	
4,895,332 A	1/1990	Hansen et al.	
5,127,131 A *	7/1992	Corrigan et al. ....	256/59
5,190,267 A	3/1993	Schmitt et al.	
D344,592 S *	2/1994	Zaccai et al. ....	D25/38
5,779,228 A	7/1998	Hansen	
6,076,233 A	6/2000	Sasaki et al.	

FIG. 3 is a top plan view of a grab rail having the secure support member connection of FIG. 2.

FIG. 4 is a bottom plan view of a grab rail having the secure support member connection of FIG. 2.

FIG. 5 is a side elevation view of a grab rail having the secure support member connection of FIG. 2.

FIG. 6 is a side elevation view of a grab rail having the secure support member connection of FIG. 2, as seen from the opposite position as shown in FIG. 5; and,

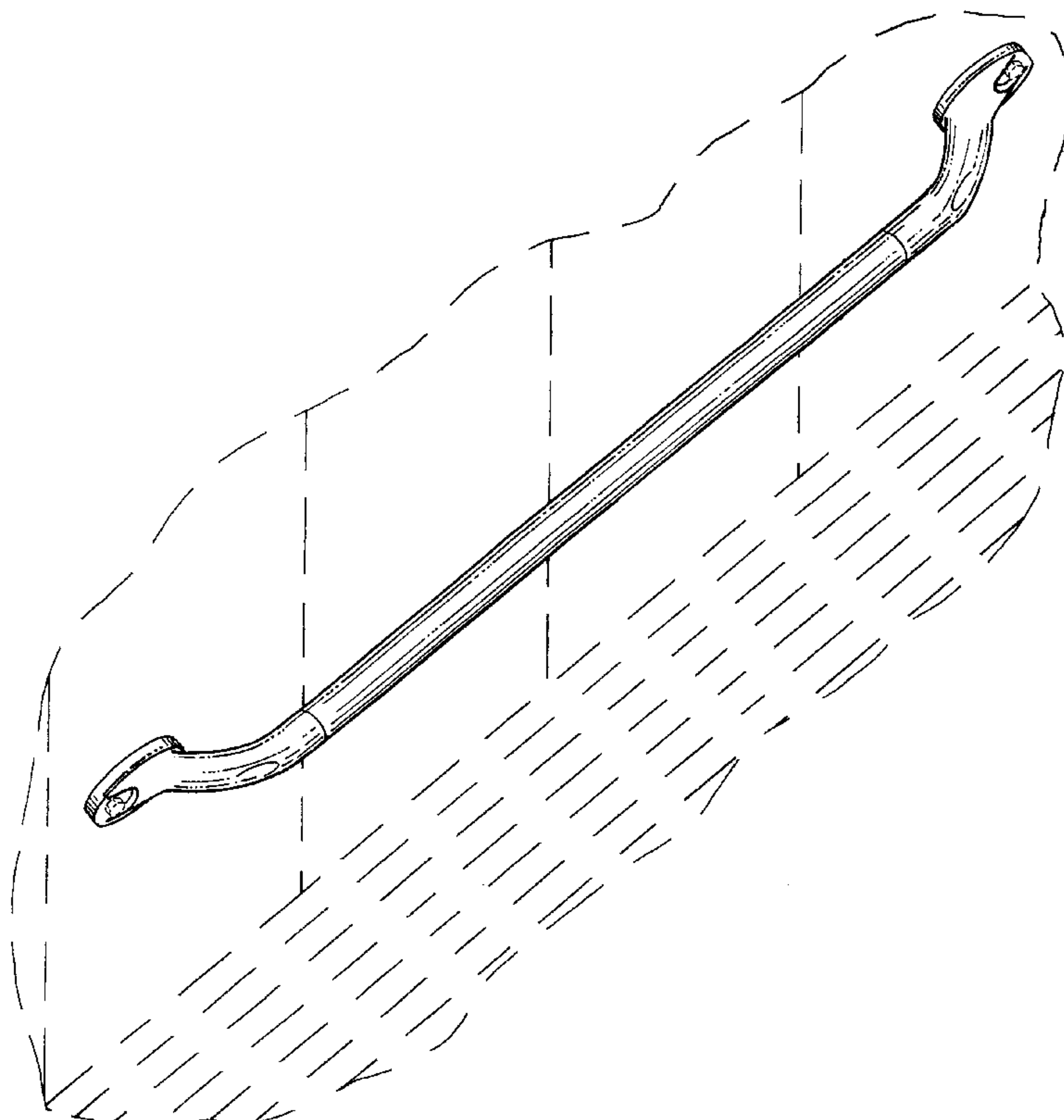
**OTHER PUBLICATIONS**

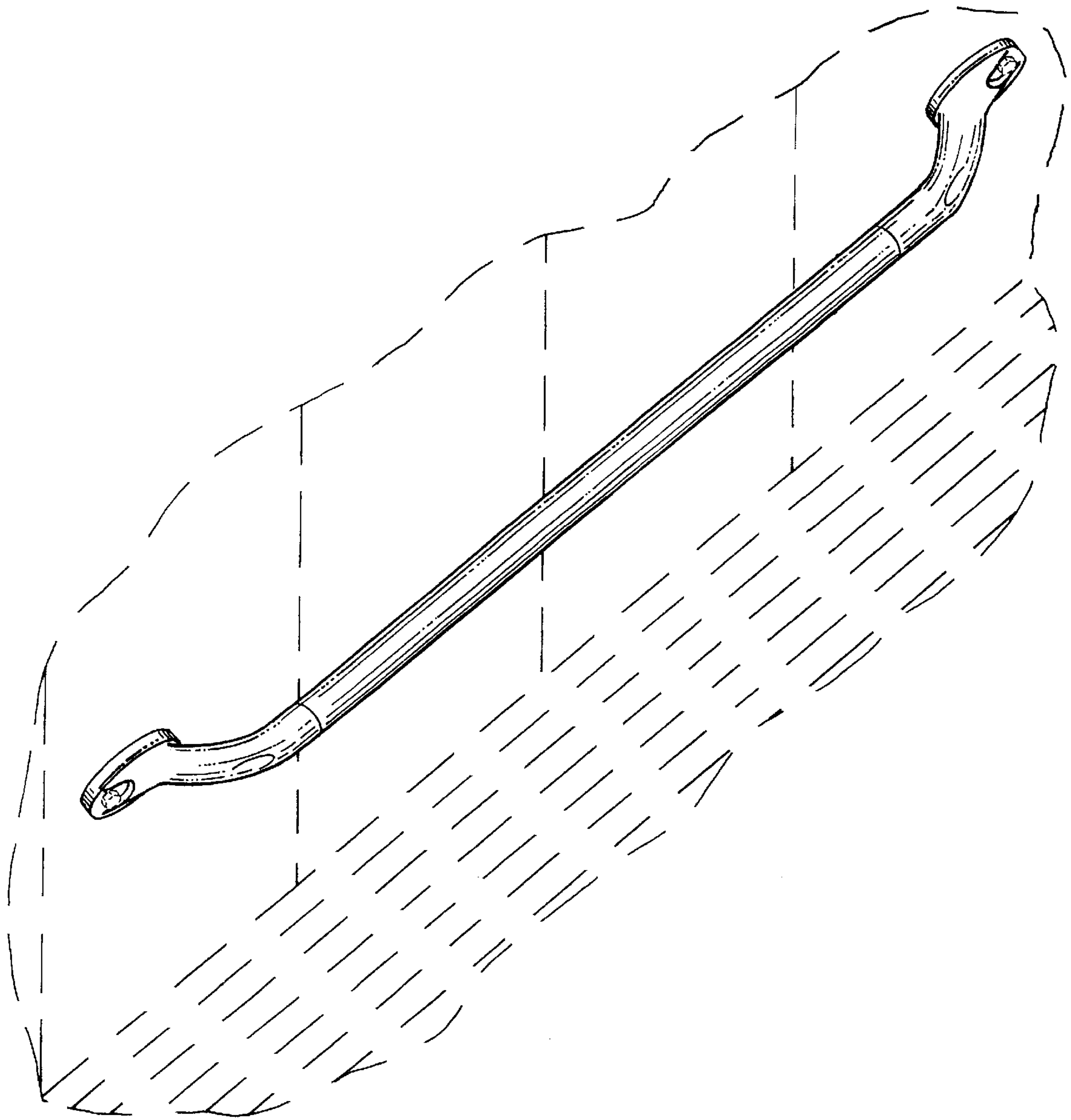
Hansen Commercial & Industrial Hardware Catalogue, at least as early as 1997, pp. 73, 74, 75, 79, 80, and 134.

FIG. 7 is an elevation view of a grab rail having the secure support member connection of FIG. 2, taken from either the front or back end.

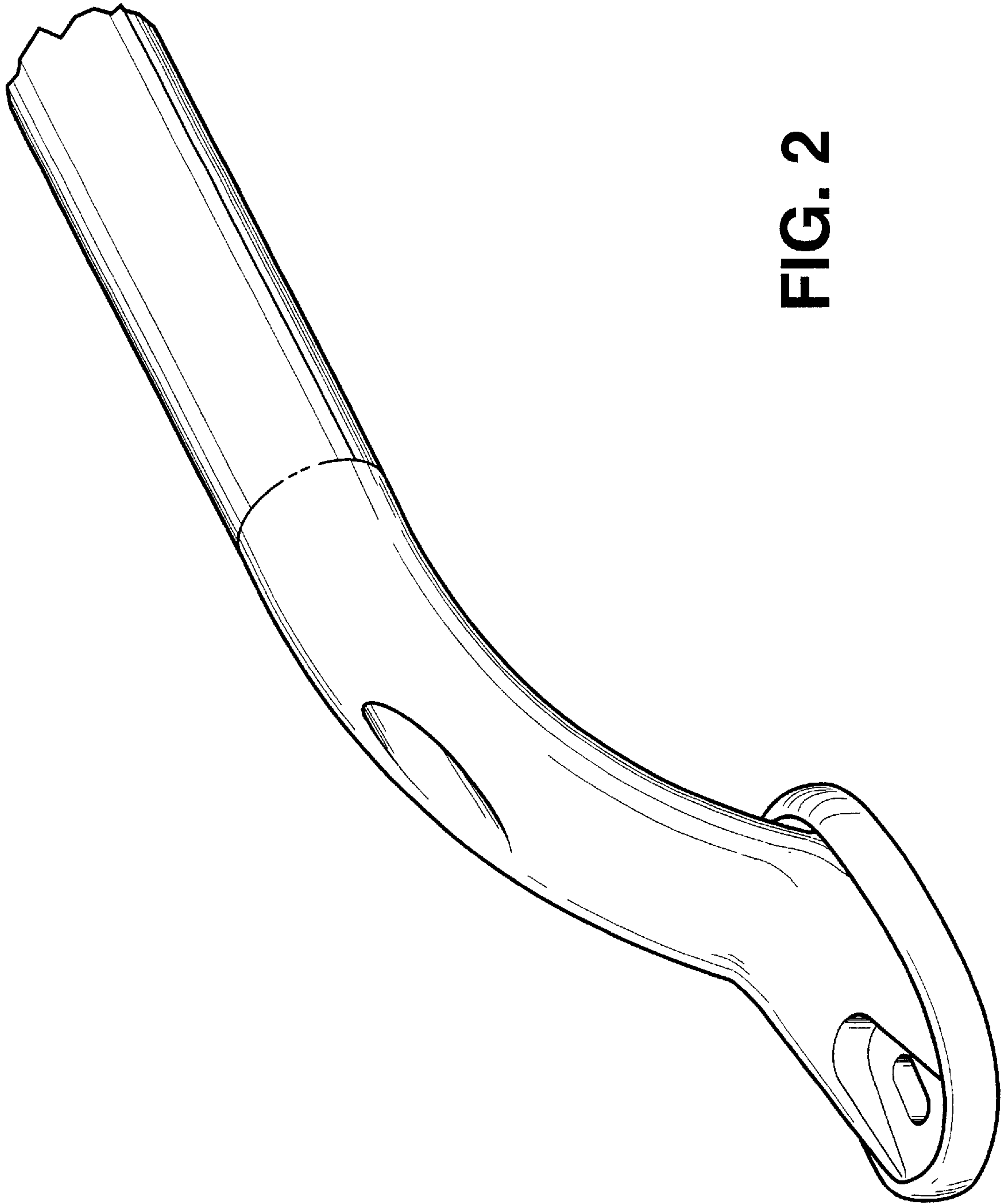
\* cited by examiner

**1 Claim, 5 Drawing Sheets**

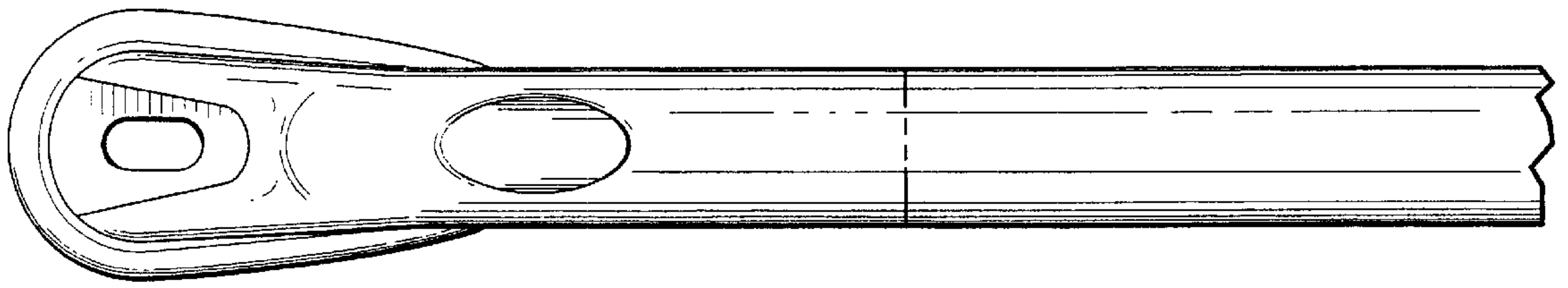




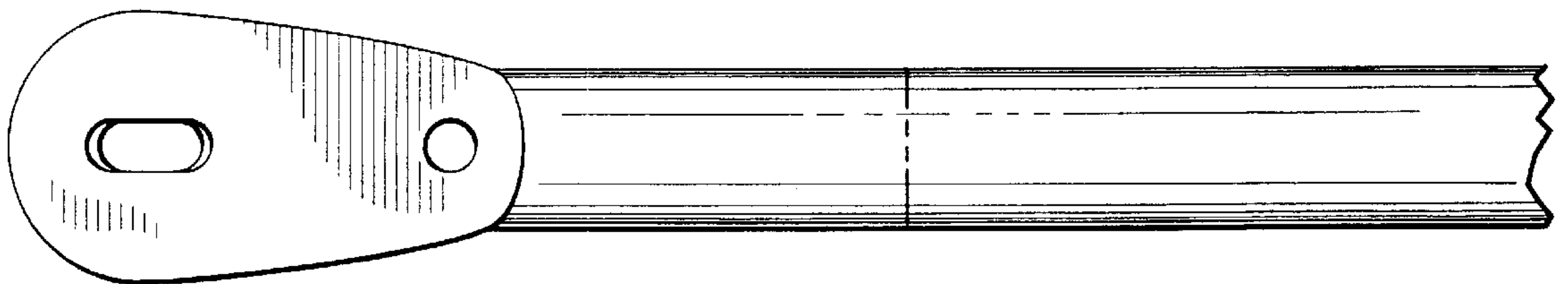
**FIG. 1**



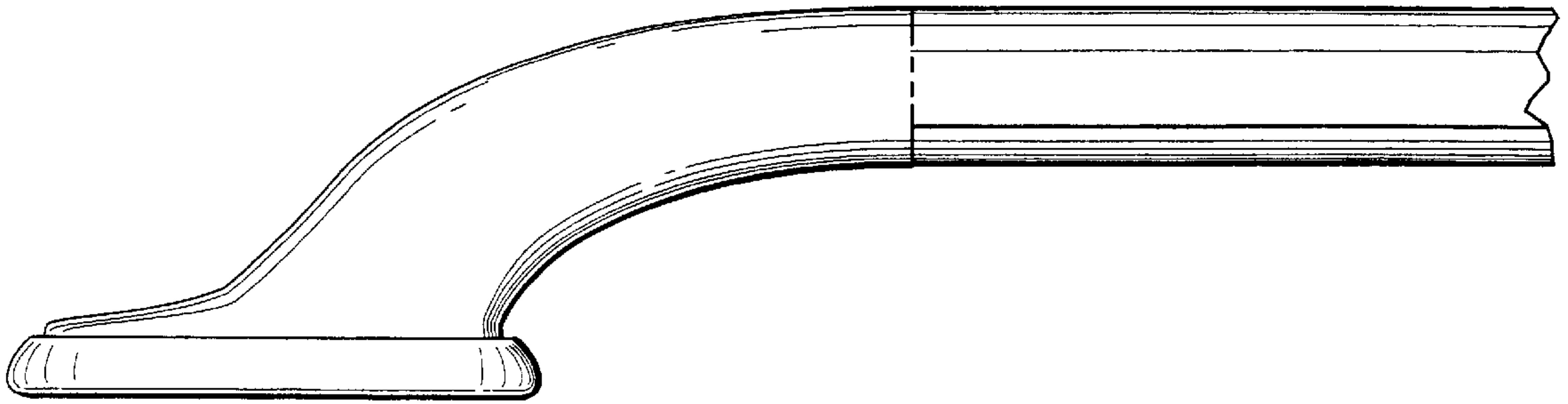
**FIG. 2**



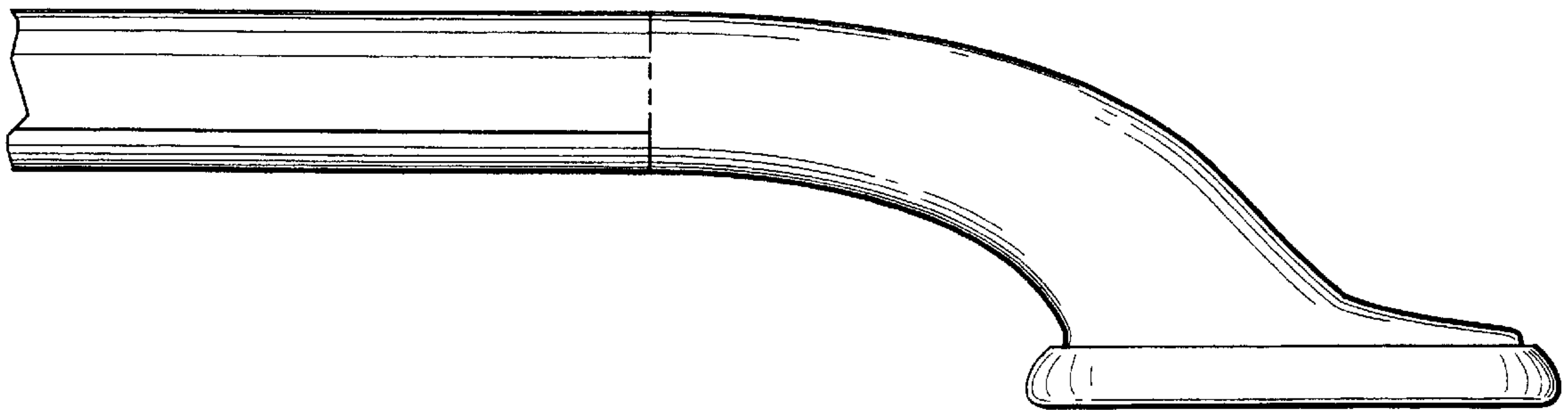
**FIG. 3**



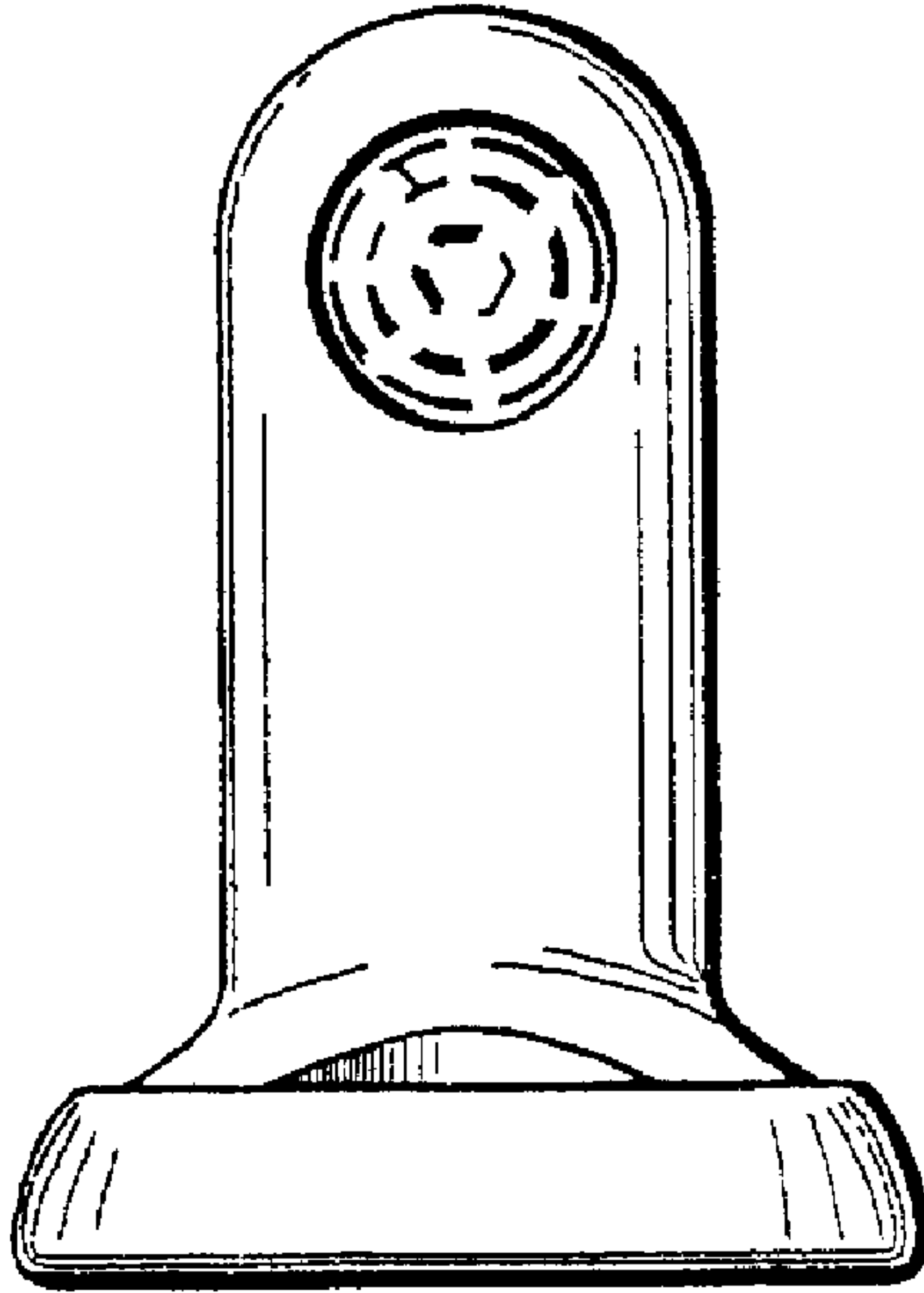
**FIG. 4**



**FIG. 5**



**FIG. 6**



**FIG. 7**