



US00D474279S

(12) **United States Design Patent** (10) **Patent No.:** **US D474,279 S**
Mayer et al. (45) **Date of Patent:** **** May 6, 2003**

(54) **SPECIMEN PROCESSING INSTRUMENT**

Primary Examiner—Ian Simmons
(74) *Attorney, Agent, or Firm*—Foley & Lardner

(75) Inventors: **William J. Mayer**, South Barrington, IL (US); **James D. Morrow**, Oak Park, IL (US)

(57) **CLAIM**

The ornamental design for a specimen processing instrument, as shown and described.

(73) Assignee: **MonoGen, Inc.**, Vernon Hills, IL (US)

(**) Term: **14 Years**

DESCRIPTION

(21) Appl. No.: **29/160,604**

FIG. 1 is a perspective view of the specimen processing instrument taken from above, the front and the right side thereof;

(22) Filed: **May 15, 2002**

FIG. 2 is a top plan view of the specimen processing instrument;

(51) **LOC (7) Cl.** **24-01**

(52) **U.S. Cl.** **D24/232; D24/231**

FIG. 3 is a front elevational view of the specimen processing instrument;

(58) **Field of Search** D24/232, 231;
D10/81; 422/100, 67, 62, 68.1, 99, 81,
89, 63, 69.1

FIG. 4 is a rear elevational view of the specimen processing instrument;

(56) **References Cited**

U.S. PATENT DOCUMENTS

5,055,408 A	*	10/1991	Higo et al.	D24/232
D338,419 S	*	8/1993	Frenkel et al.	D24/232
D378,782 S	*	4/1997	LaBarbera et al.	D24/232
D467,349 S	*	12/2002	Niedbala et al.	D24/232

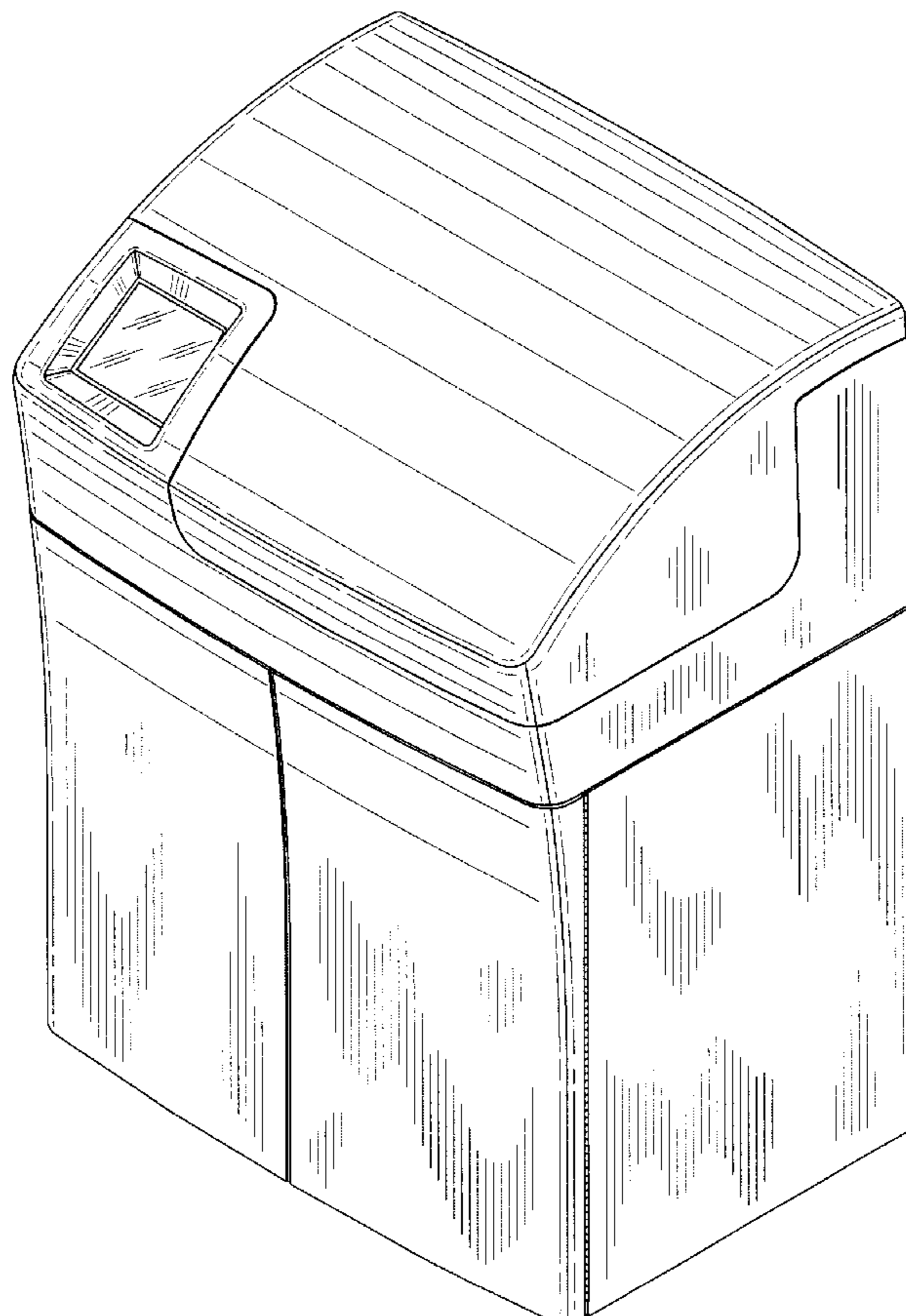
FIG. 5 is a right side elevational view of the specimen processing instrument; and,

FIG. 6 is a left side elevational view of the specimen processing instrument.

The portions shown in broken lines in FIGS. 3, 4, 5 and 6 form no part of the claimed design.

* cited by examiner

1 Claim, 4 Drawing Sheets



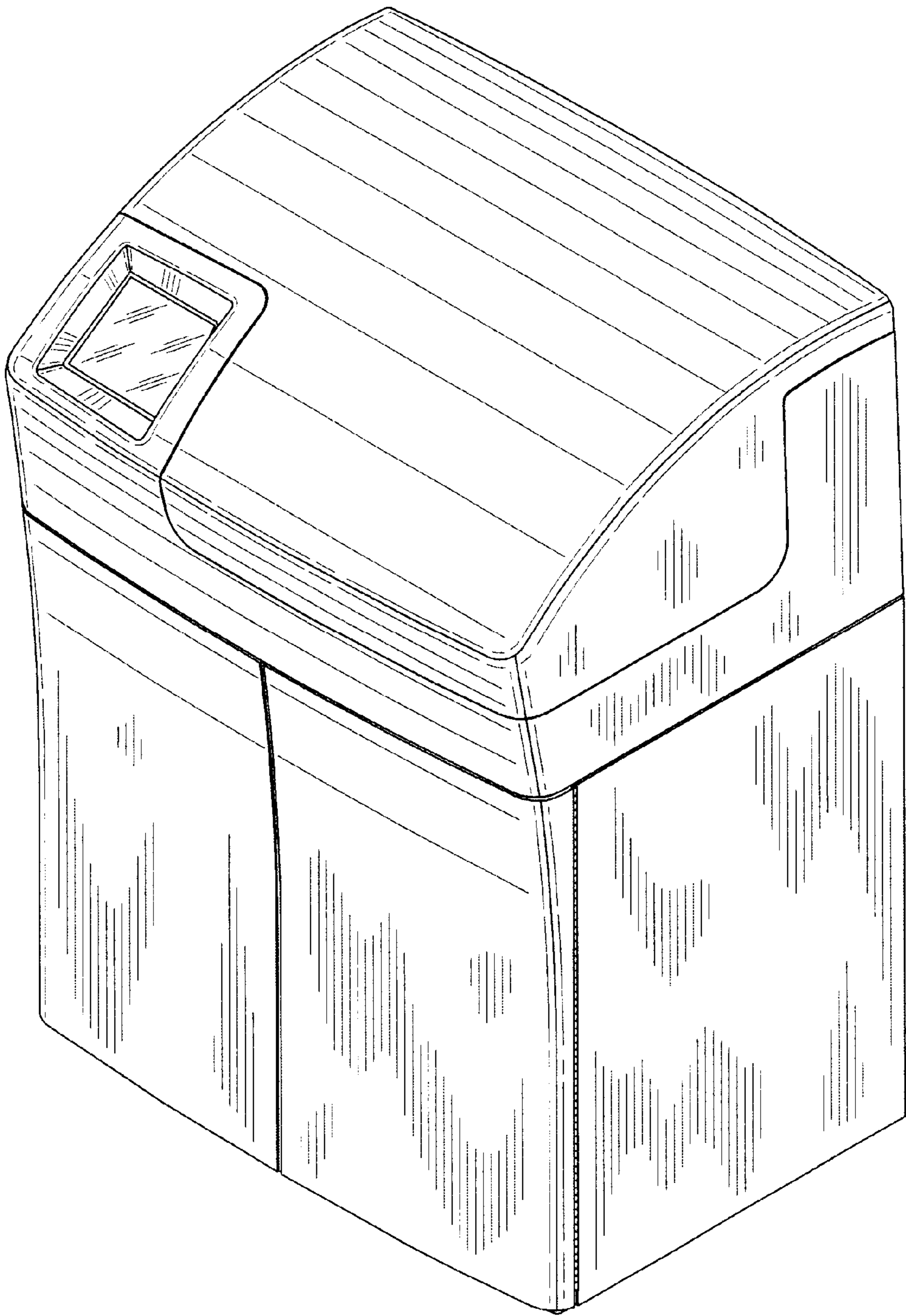


FIG. 1

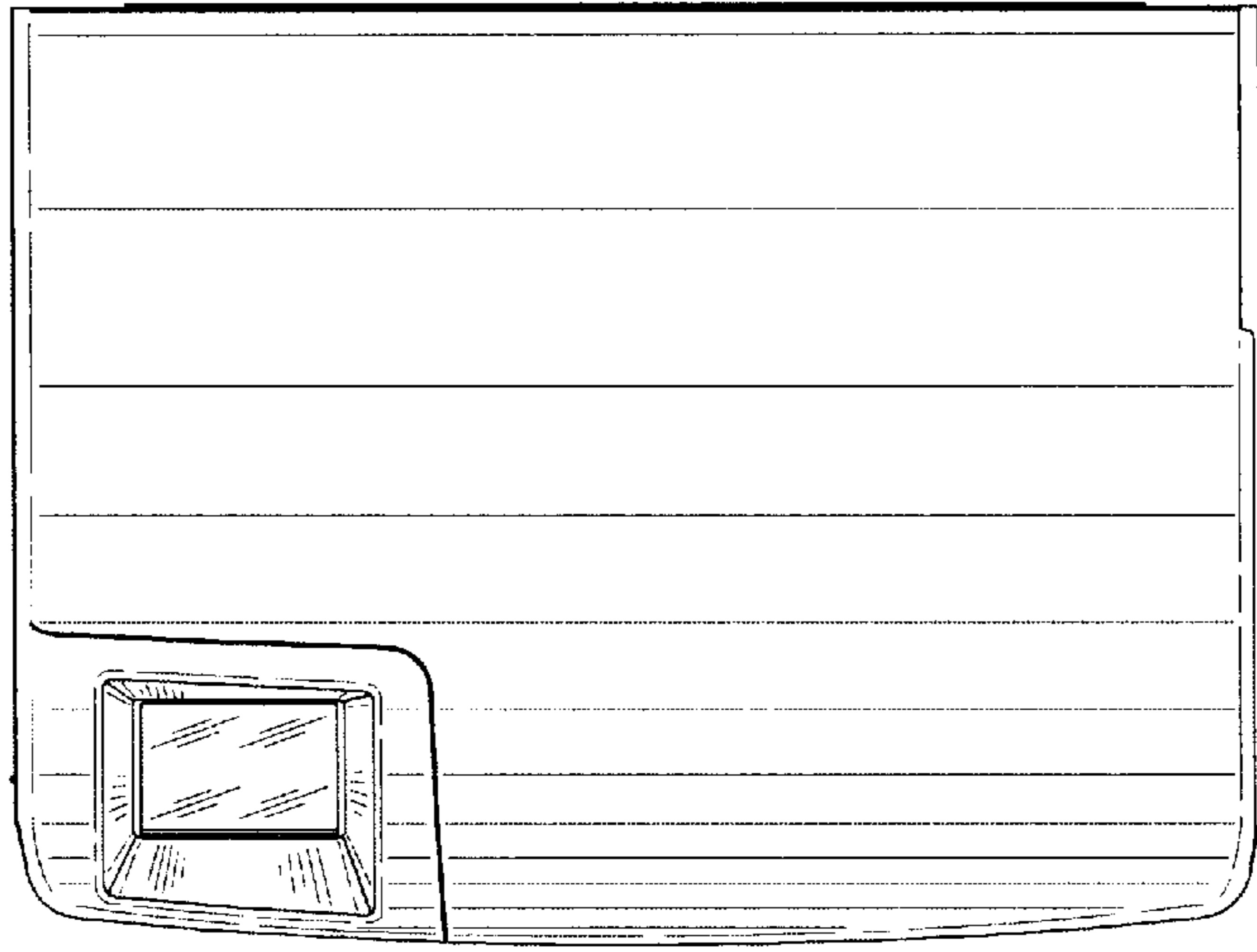


FIG. 2

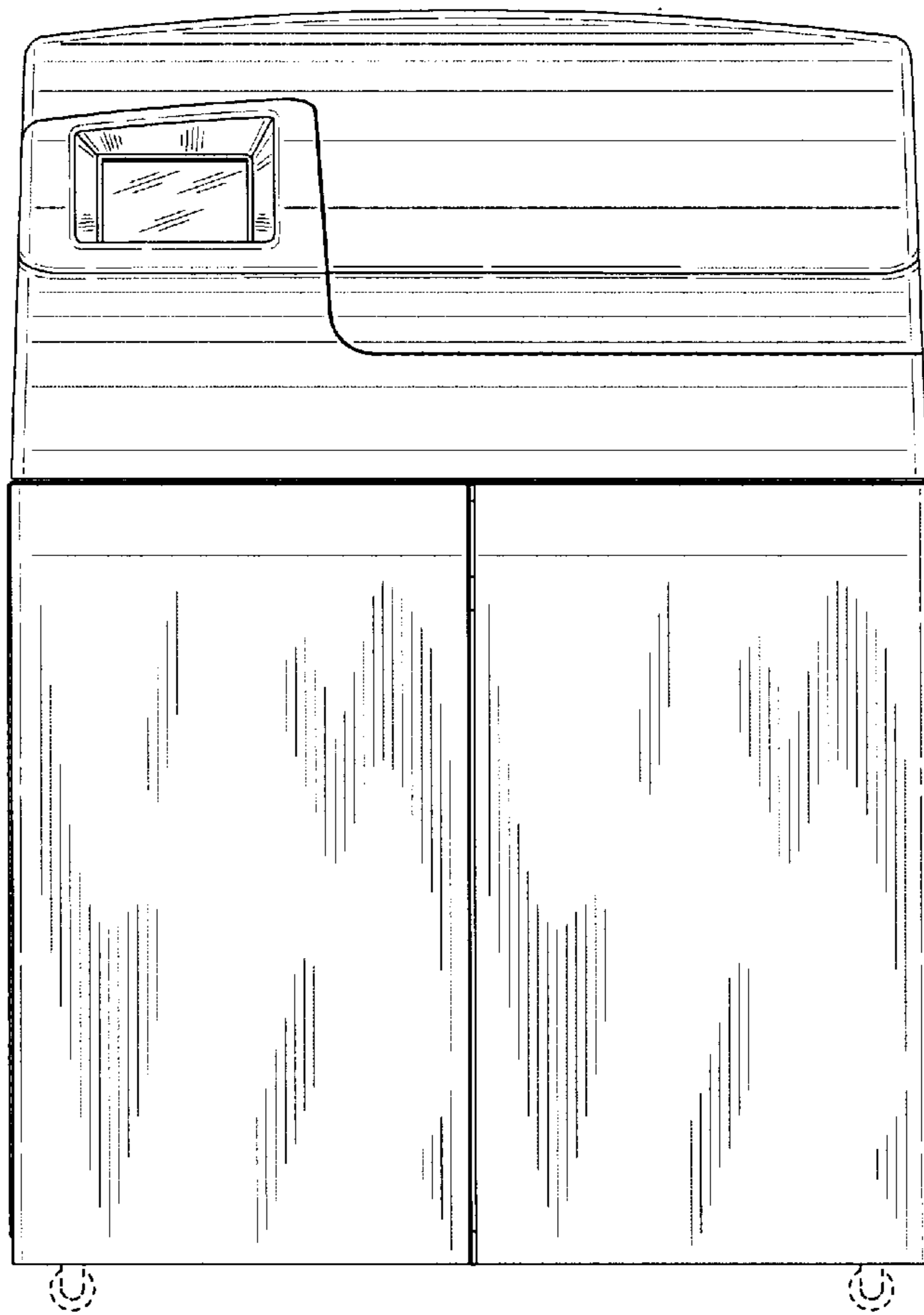


FIG. 3

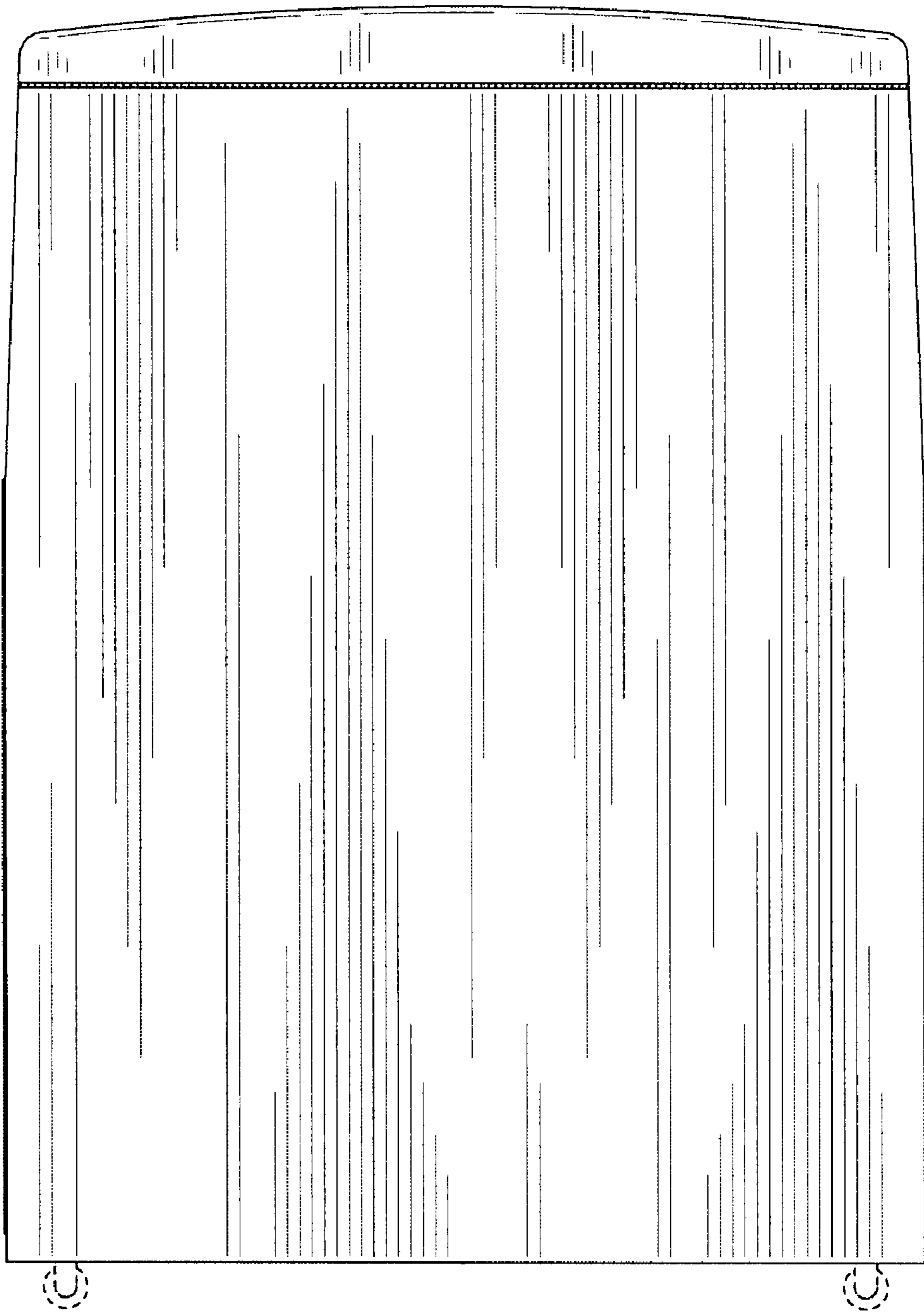


FIG. 4

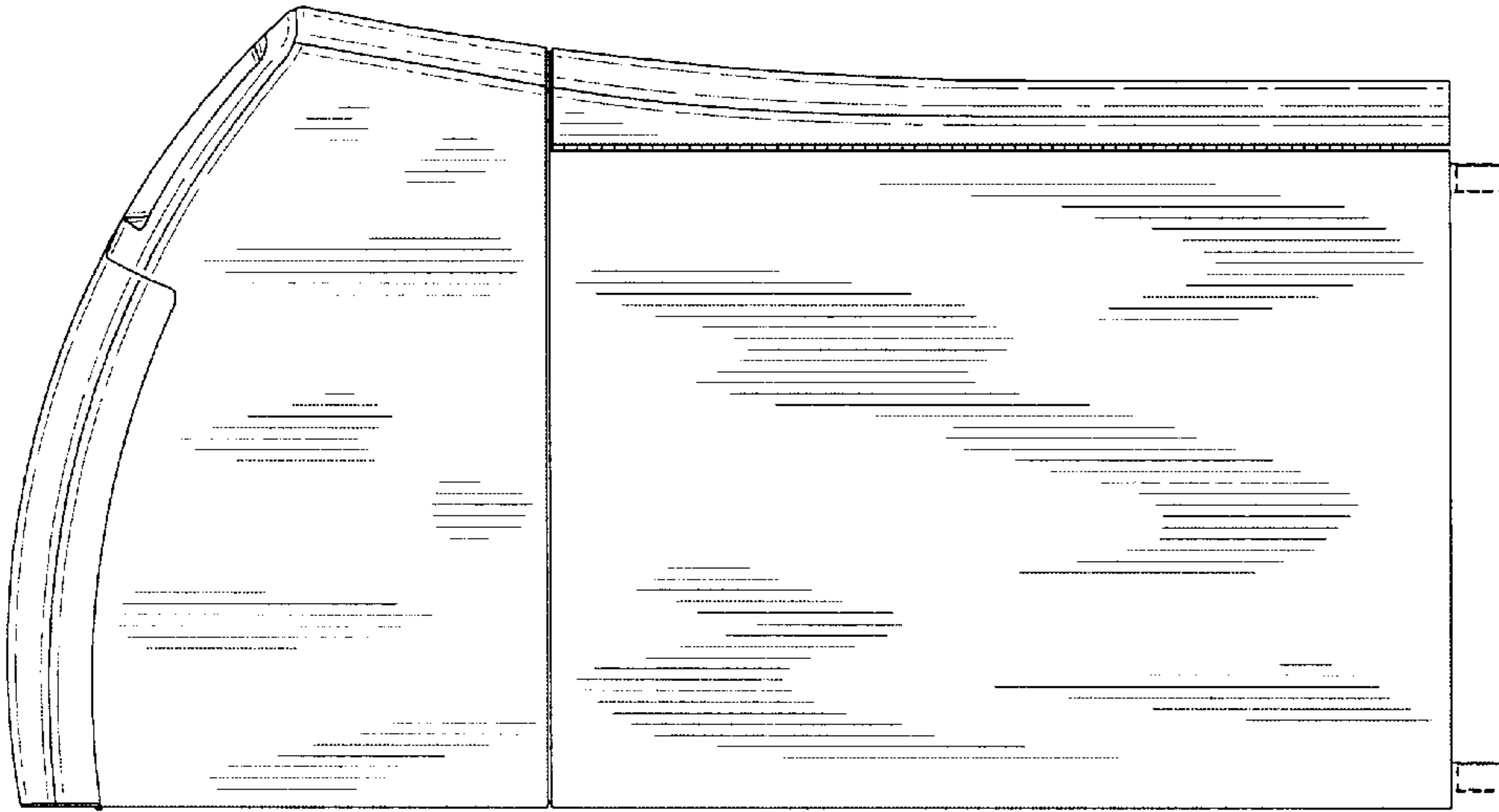


FIG. 6

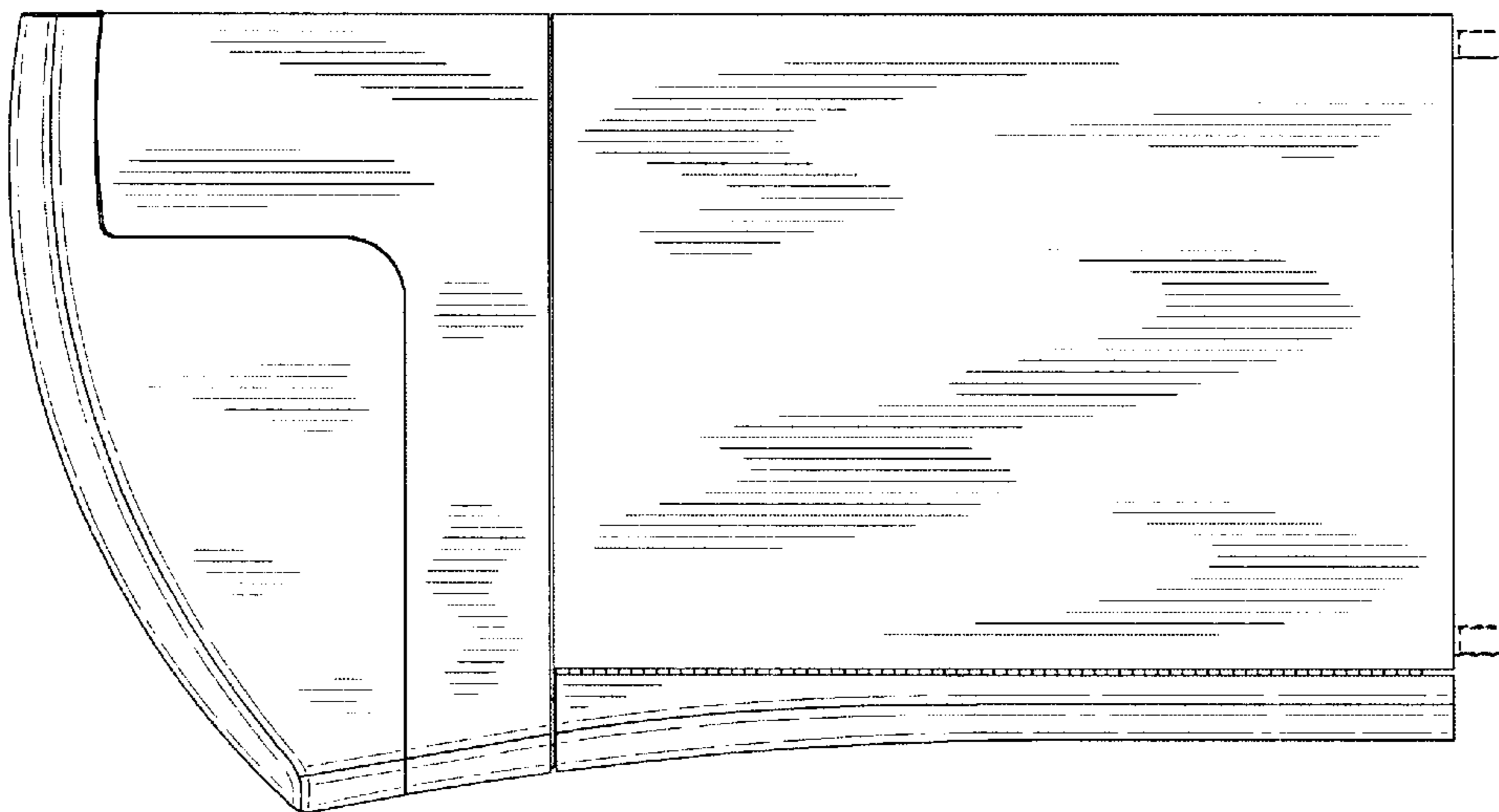


FIG. 5