



US00D474277S

(12) **United States Design Patent**
Juni

(10) **Patent No.:** **US D474,277 S**

(45) **Date of Patent:** **** May 6, 2003**

(54) **NUCLEAR MEDICAL IMAGING APPARATUS**

6,359,279 B1 * 3/2002 Gagnon et al. 250/363.1

(76) Inventor: **Jack E. Juni**, 25595 York St., Royal Oak, MI (US) 48067

* cited by examiner

(**) Term: **14 Years**

Primary Examiner—Stella Reid
(74) *Attorney, Agent, or Firm*—Gifford, Krass, Groh, Sprinkle, Anderson & Citkowski, PC

(21) Appl. No.: **29/162,422**

(57) **CLAIM**

(22) Filed: **Jun. 14, 2002**

I claim the ornamental design for a nuclear medical imaging apparatus, as shown and described.

Related U.S. Application Data

DESCRIPTION

(63) Continuation-in-part of application No. 09/549,435, filed on Apr. 14, 2000.

(60) Provisional application No. 60/151,378, filed on Aug. 30, 1999.

(51) **LOC (7) Cl.** **24-01**

(52) **U.S. Cl.** **D24/158**

(58) **Field of Search** D24/158; 250/360.1, 250/363.01, 363.02, 363.03, 363.04, 363.05, 363.08, 363.09, 366, 369, 370.09

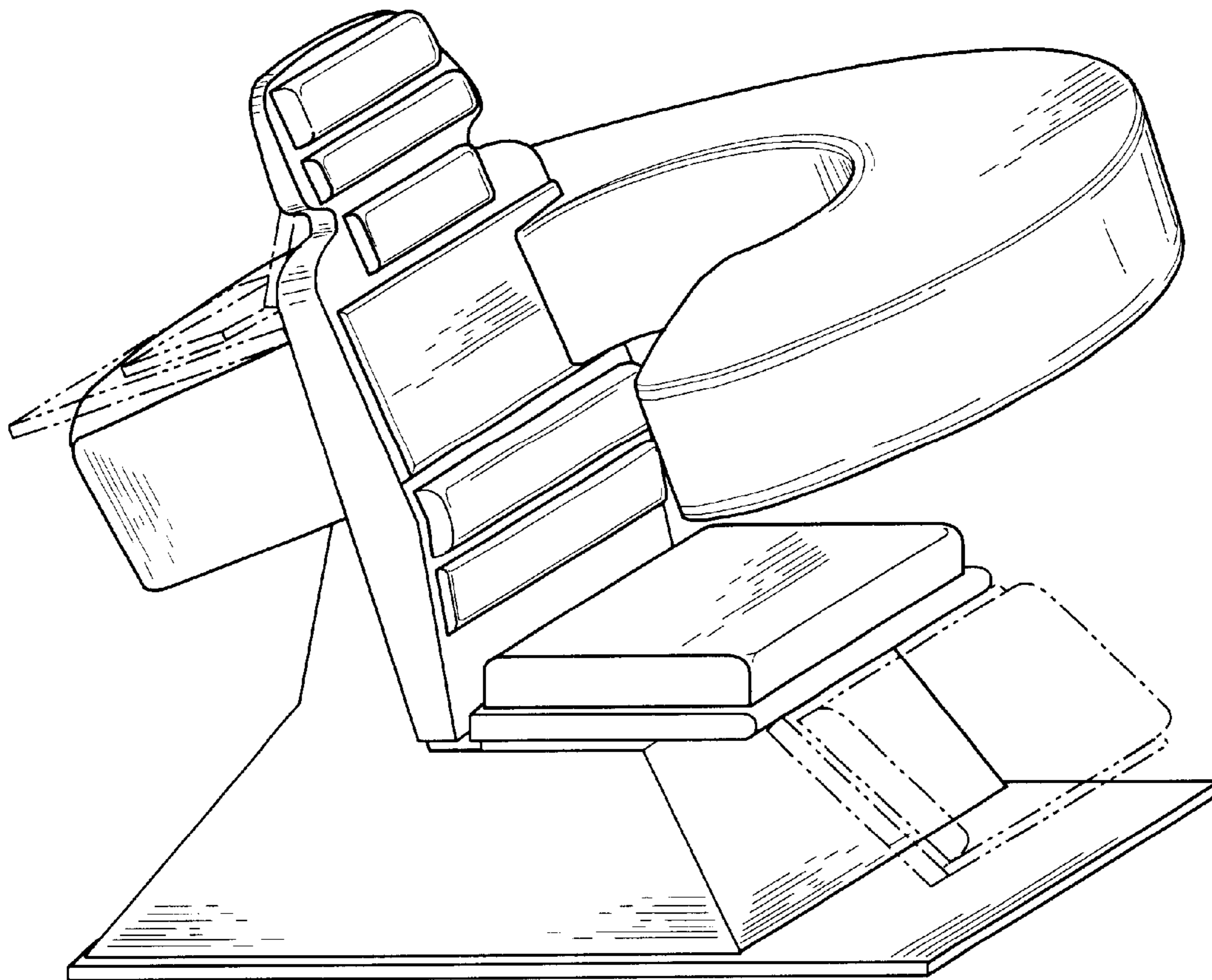
FIG. 1 is a perspective view of a nuclear medical imaging apparatus according to the present invention; FIG. 2 is a front elevational view of the apparatus of FIG. 1; FIG. 3 is a rear elevational view of the apparatus of FIGS. 1 and 2; FIG. 4 is a side elevational view of the apparatus of FIGS. 1-3; FIG. 5 is a side elevational view of the apparatus of FIGS. 1-4, showing the side opposite the side shown in FIG. 4; FIG. 6 is a bottom plan view of the apparatus of FIGS. 1-5; and, FIG. 7 is a top plan view of the apparatus of FIGS. 1-6. The broken lines shown in FIGS. 1-7 are for environmental purposes only and form no part of the claimed design.

(56) **References Cited**

U.S. PATENT DOCUMENTS

- 4,150,292 A * 4/1979 Ter-Pogossian 250/363.03
- H12 H * 1/1986 Bennett et al. 250/363.09
- 4,652,758 A * 3/1987 Barfod 250/363.04

1 Claim, 4 Drawing Sheets



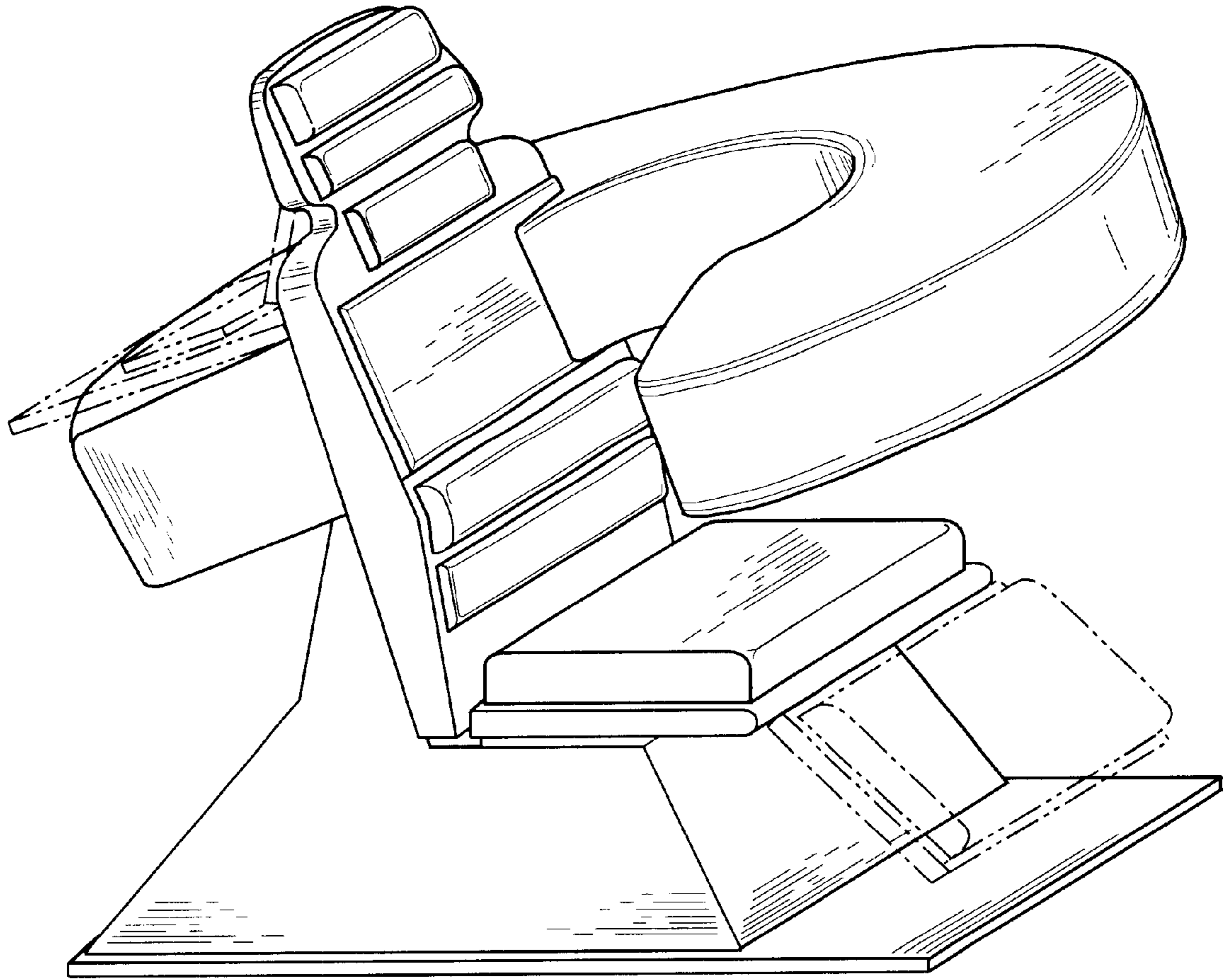


FIG - 1

FIG - 2

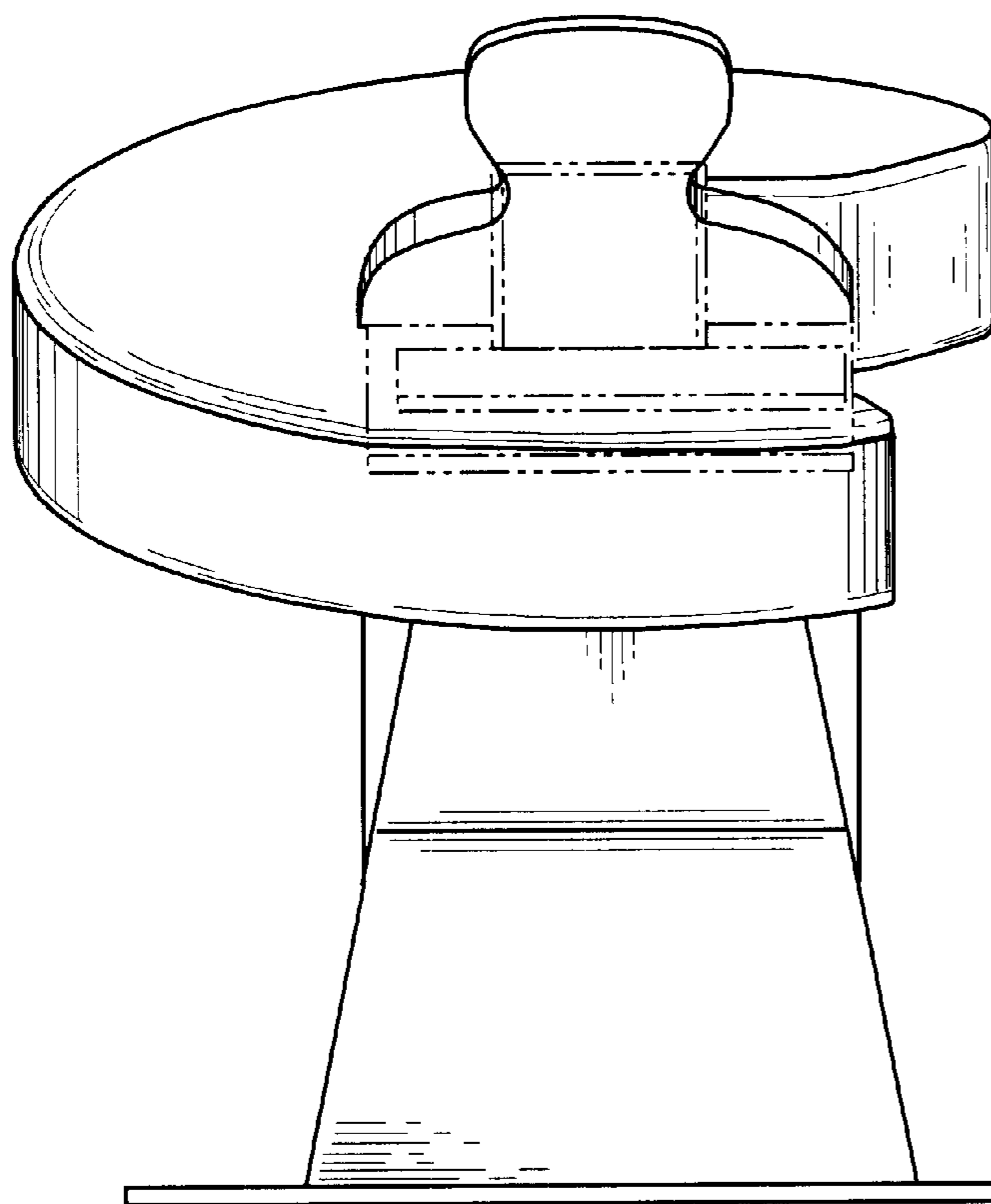
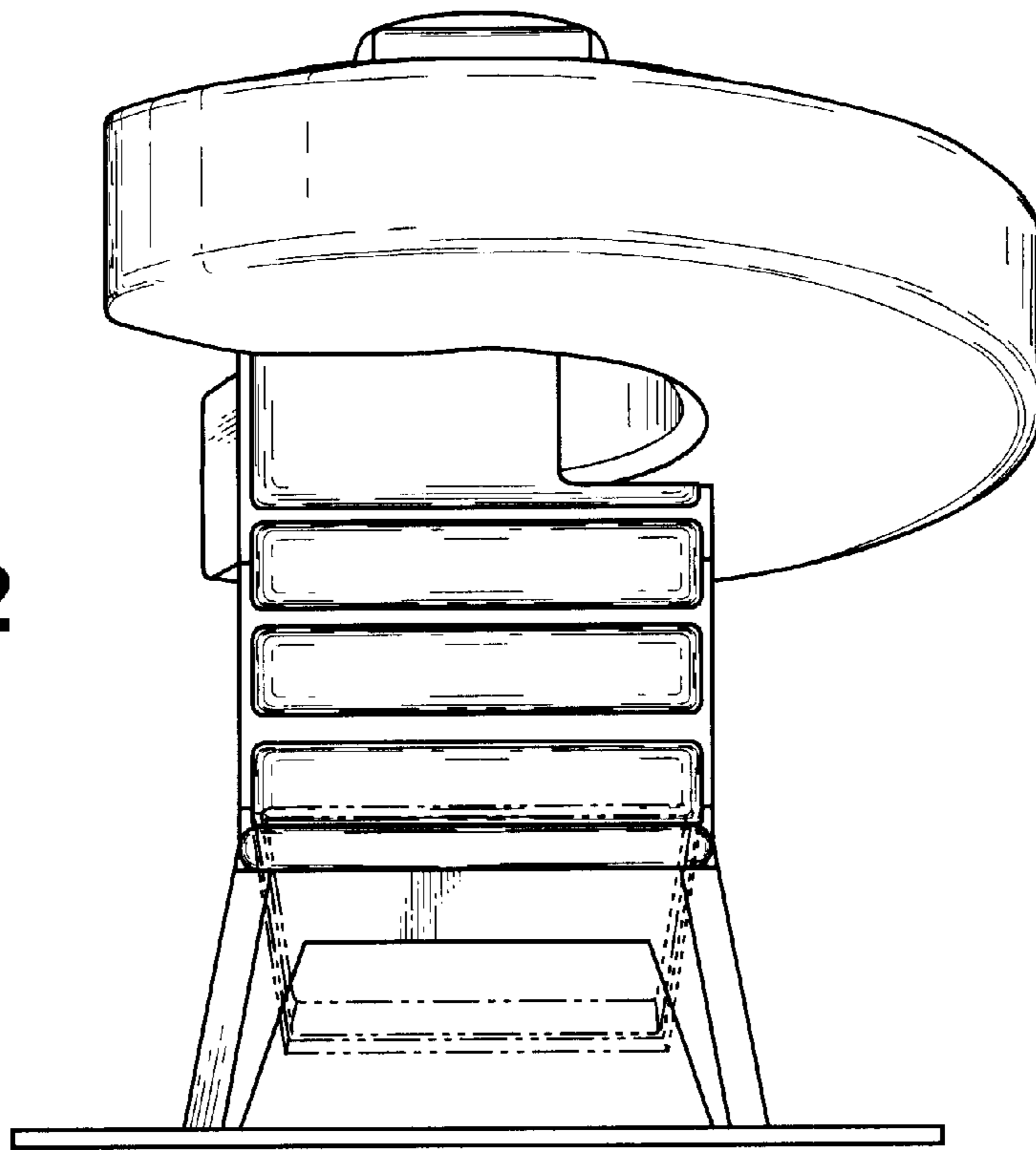


FIG - 3

FIG - 4

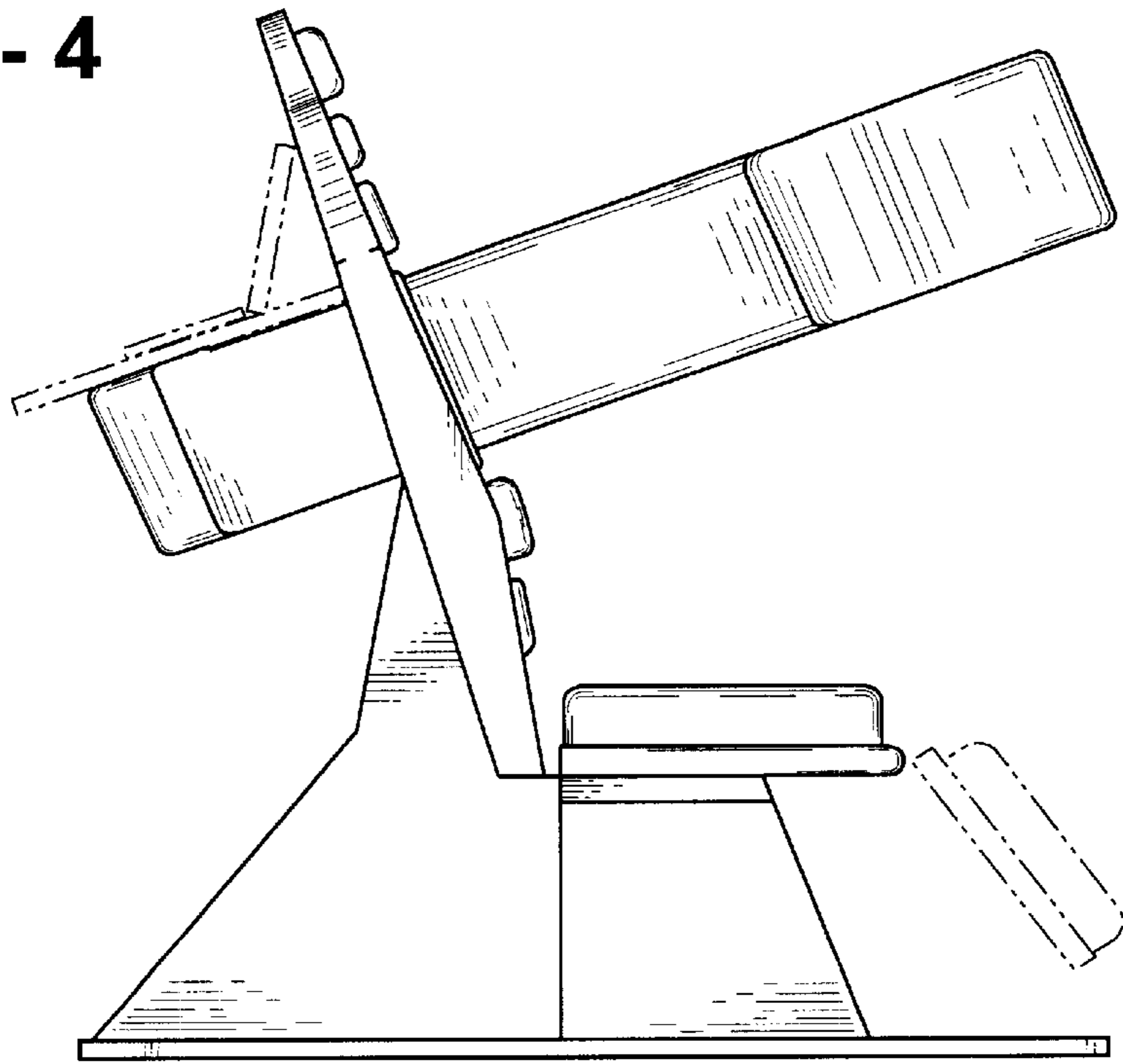
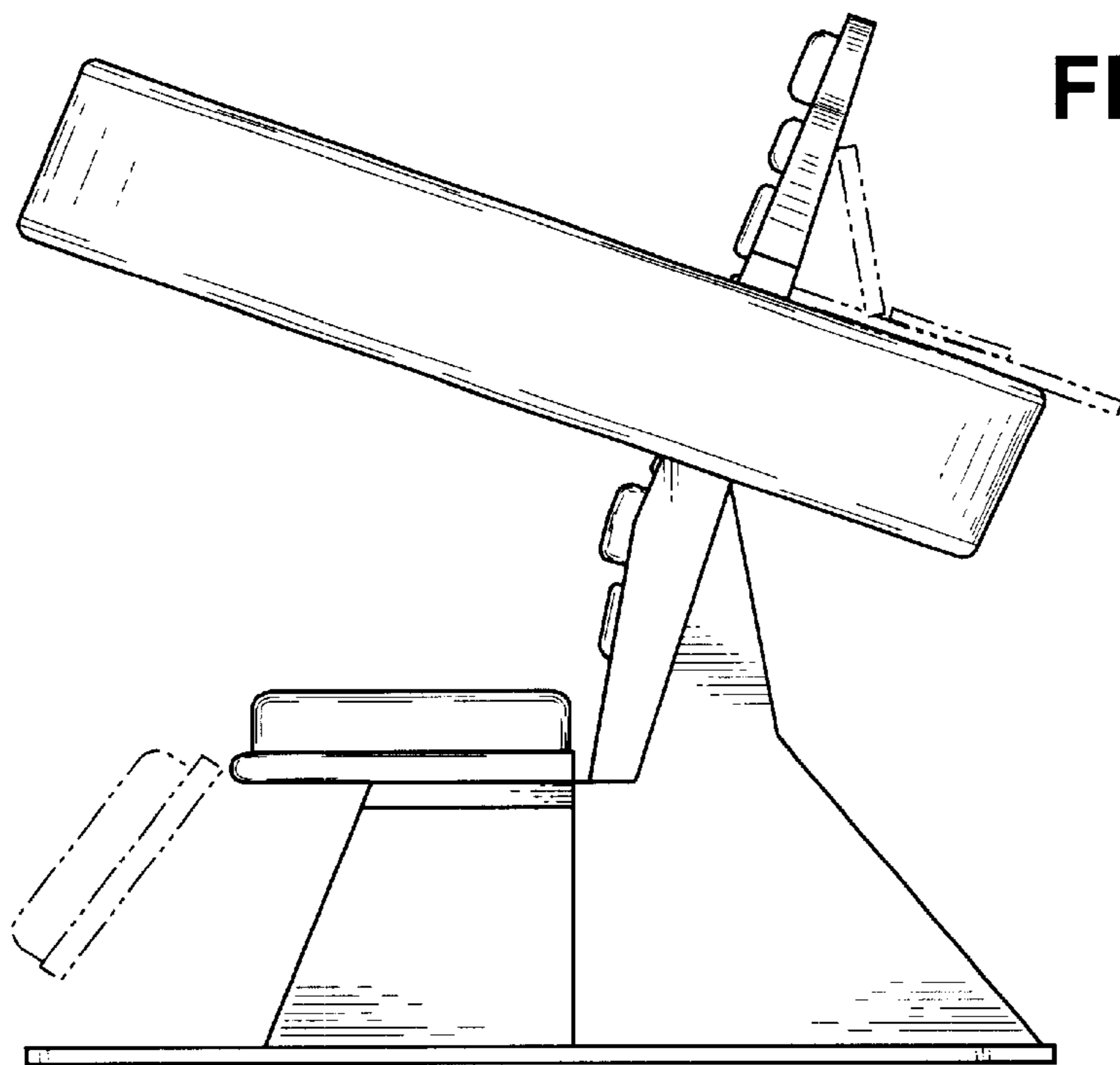


FIG - 5



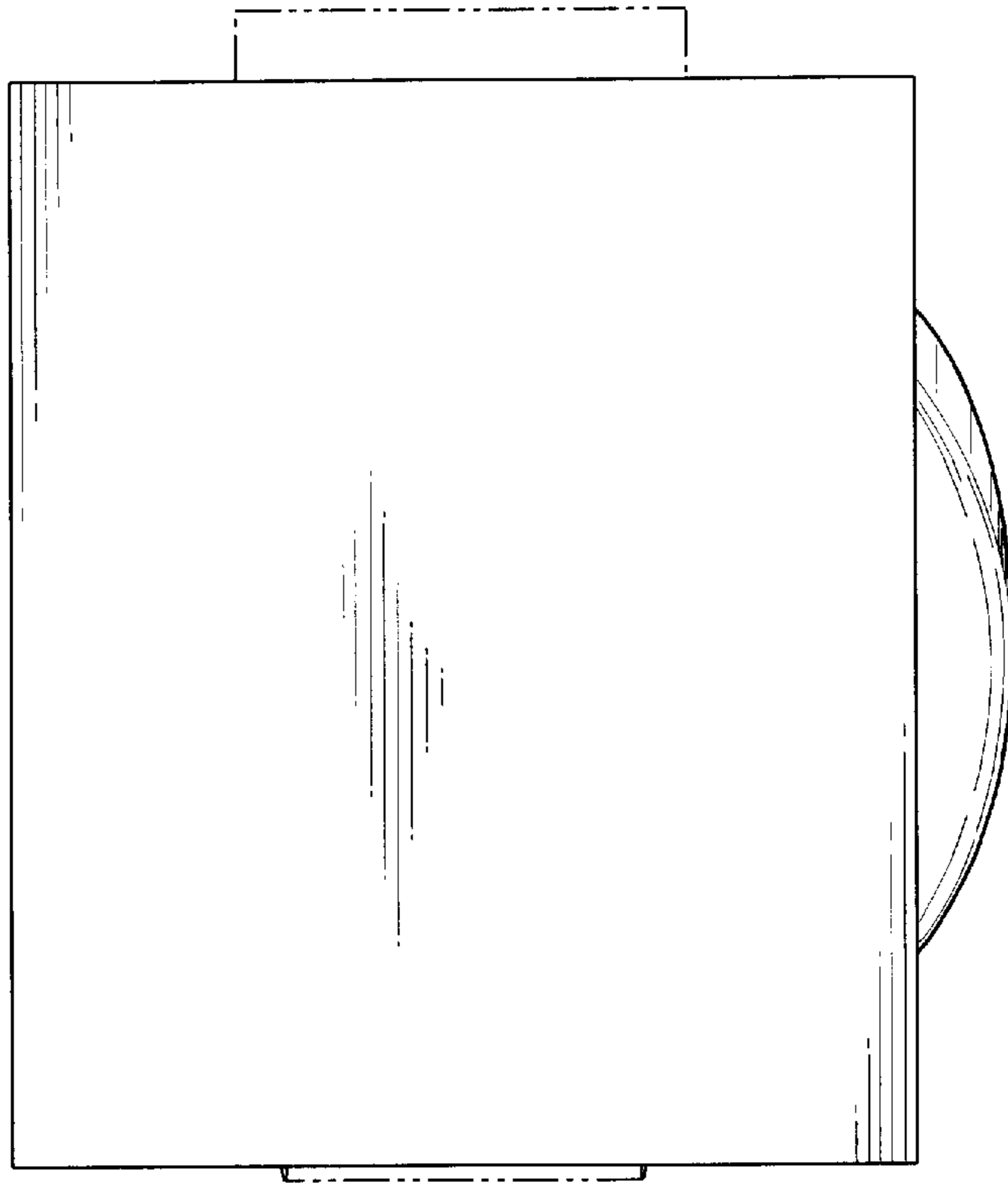


FIG - 6

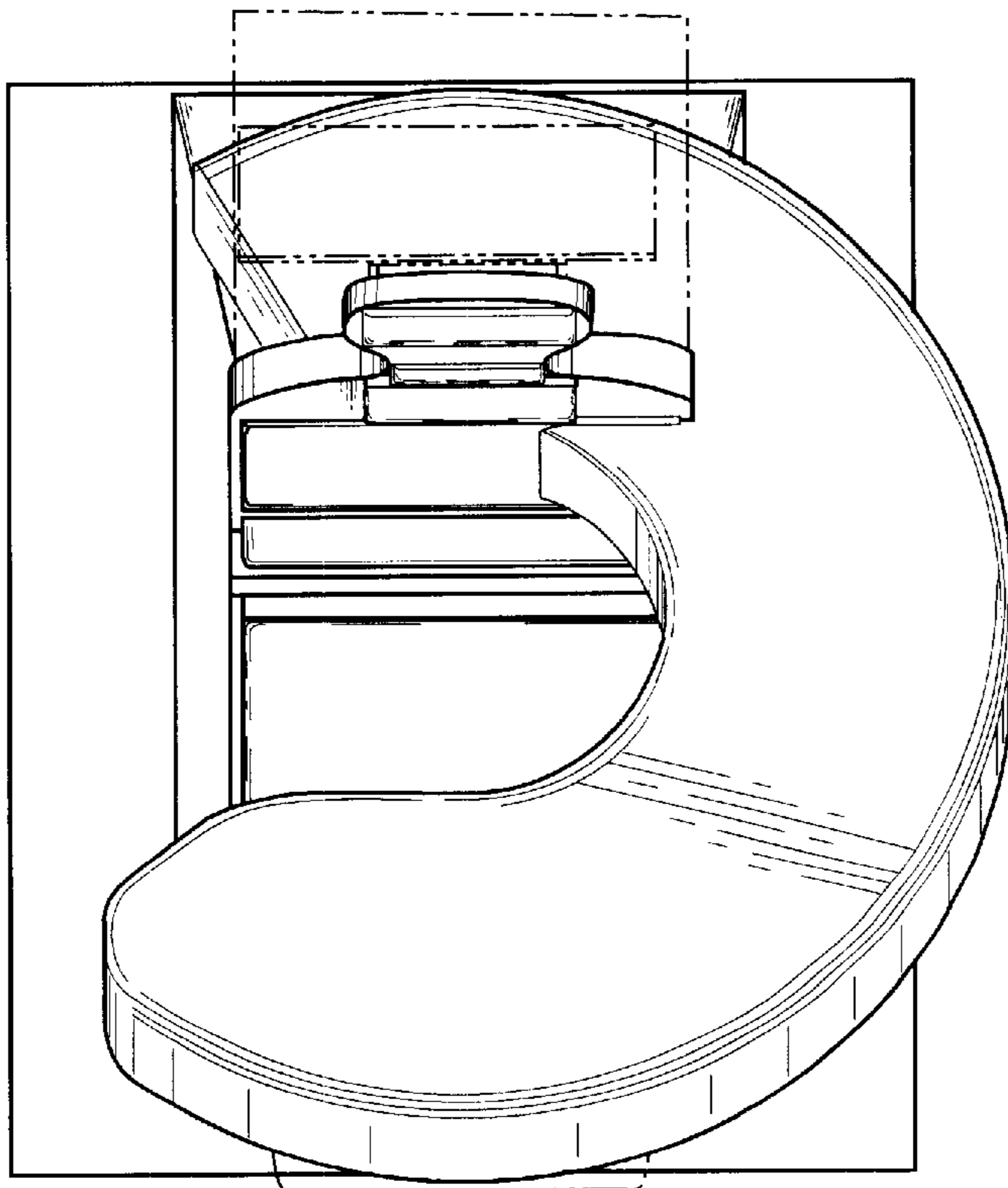


FIG - 7