



US00D474276S

(12) **United States Design Patent** (10) **Patent No.:** **US D474,276 S**  
**Greise et al.** (45) **Date of Patent:** **\*\* May 6, 2003**

(54) **ENDOSCOPIC VIDEO CAMERA HEAD**

(75) Inventors: **Carol E. Greise**, Santa Barbara, CA (US); **Kevin E. Halleck**, Santa Barbara, CA (US); **Marc R. Amling**, Santa Barbara, CA (US); **Thomas J. Anhalt**, Goleta, CA (US); **Dai N. Vu**, Ventura, CA (US); **Greg M. Chambers**, San Luis Obispo, CA (US)

(73) Assignee: **Karl Storz Imaging, Inc.**, Goleta, CA (US)

(\*\*) Term: **14 Years**

(21) Appl. No.: **29/153,265**

(22) Filed: **Dec. 31, 2001**

(51) **LOC (7) Cl.** ..... **24-02**

(52) **U.S. Cl.** ..... **D24/138**

(58) **Field of Search** ..... D24/137, 138,  
D24/133; 600/131, 158, 159, 122, 109,  
101, 106, 118

(56) **References Cited**

**U.S. PATENT DOCUMENTS**

D277,407 S	*	1/1985	Imada	.....	D24/138
5,447,148 A	*	9/1995	Oneda et al.	.....	600/131
D380,544 S	*	7/1997	Sandock	.....	D24/133
5,888,191 A	*	3/1999	Akiba et al.	.....	600/153
5,891,014 A	*	4/1999	Akiba	.....	600/158

**OTHER PUBLICATIONS**

- Olympus Brochure, Endo-Imaging Solutions, OTV-S5 System.
- Stryker Endoscopy Brochure, 888 3-Chip Camera.
- Stryker Endoscopy Brochure, 988 3-Chip Camera.
- The Stryker 596T Medical Video Camera Brochure.
- Lemke Brochure, 1 CCD Kamera MC 404.
- Lemke Brochure, 3 CCD Kamera TC 804.
- Lemke Brochure, 1 CCD Kamera MC 204.
- Angio Laz Brochure, Endoscopic Camera Head.
- Richard Wolf Brochure, Three Chip Endocam 5506.
- Stryker Brochure, 810 Medical Video Camera.
- Circom Brochure, 3-CCD Color Camera.
- Dyonics Brochure, ED3 Enhanced Digital 3-Chip Camera.

- Olympus Brochure, OTV-SX2 Digital 3CCD Camera.
- Olympus Brochure, Endo-Imaging Evolution, OTV-S6 OES Video System.
- Aesculap Brochure, David 3-Digital Aesculap Videoendoscopic Image Display 3-Chip Camera.
- Aesculap Brochure, David eco-Digital Aesculap Videoendoscopic Image Display 1-Chip Camera.
- Circom Brochure, MicroDigital Video Cameras.
- Linvatec Brochure, EnVision Autoclavable Camera Heads.
- Olympus Brochure, Evis Exera 160 Series Video Cameras and Adapters.
- Richard Wolf Brochure, 1 CCD Endocam 5502, 3 CCD Endocam 5507, 1 CCD Endocam 5511.
- Richard Wolf Brochure, 1 CCD Endocam 5512.
- Richard Wolf Brochure, 1 CCD Endocam Light 5551.
- Dyonics Brochure, 325Z and ED-3 Digital 3-Chip Video Camera and HD900 Digital 1-Chip Video Camera.
- Karl Storz Endoskope Brochure, Endovision HysteroCam SL, Endovision XL Camera System, Endovision Telecam SL, Endovision Tridam SL and Endovision Tricam SL/DX.

\* cited by examiner

*Primary Examiner*—Ian Simmons

(74) *Attorney, Agent, or Firm*—St. Onge Steward Johnston & Reens LLC

(57) **CLAIM**

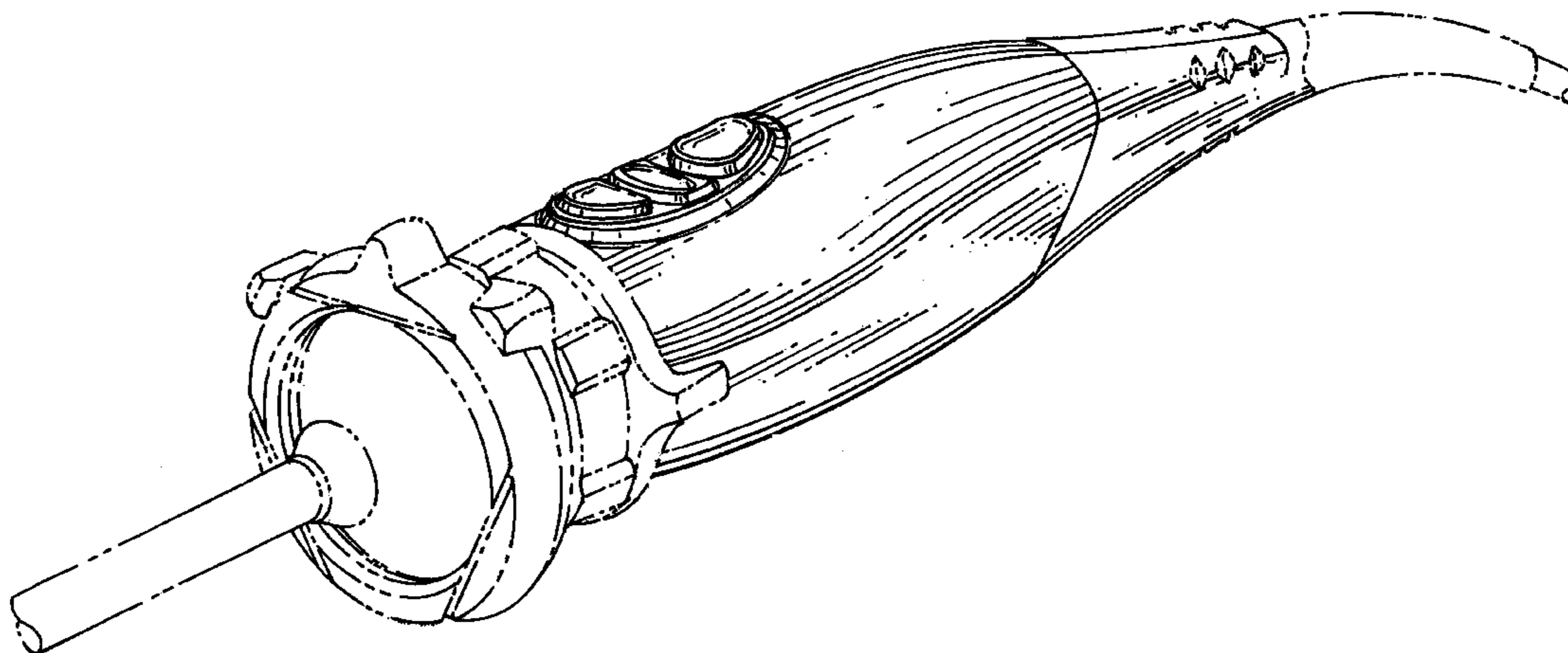
The ornamental design for an endoscopic video camera head, as shown and described.

**DESCRIPTION**

FIG. 1 is a front isometric view of an endoscopic video camera head in accordance with the new design;  
 FIG. 2 is a front elevation view of the camera head of FIG. 1;  
 FIG. 3 is a bottom plan view of the camera head of FIG. 1;  
 FIG. 4 is a top plan view of the camera head of FIG. 1;  
 FIG. 5 is a side elevation view of the camera head of FIG. 1; and,  
 FIG. 6 is a side elevation view of the camera head of FIG. 1.

The broken line showing in FIGS. 1 through 6 are for illustrative purposes only and forms no part of the claimed design.

**1 Claim, 3 Drawing Sheets**



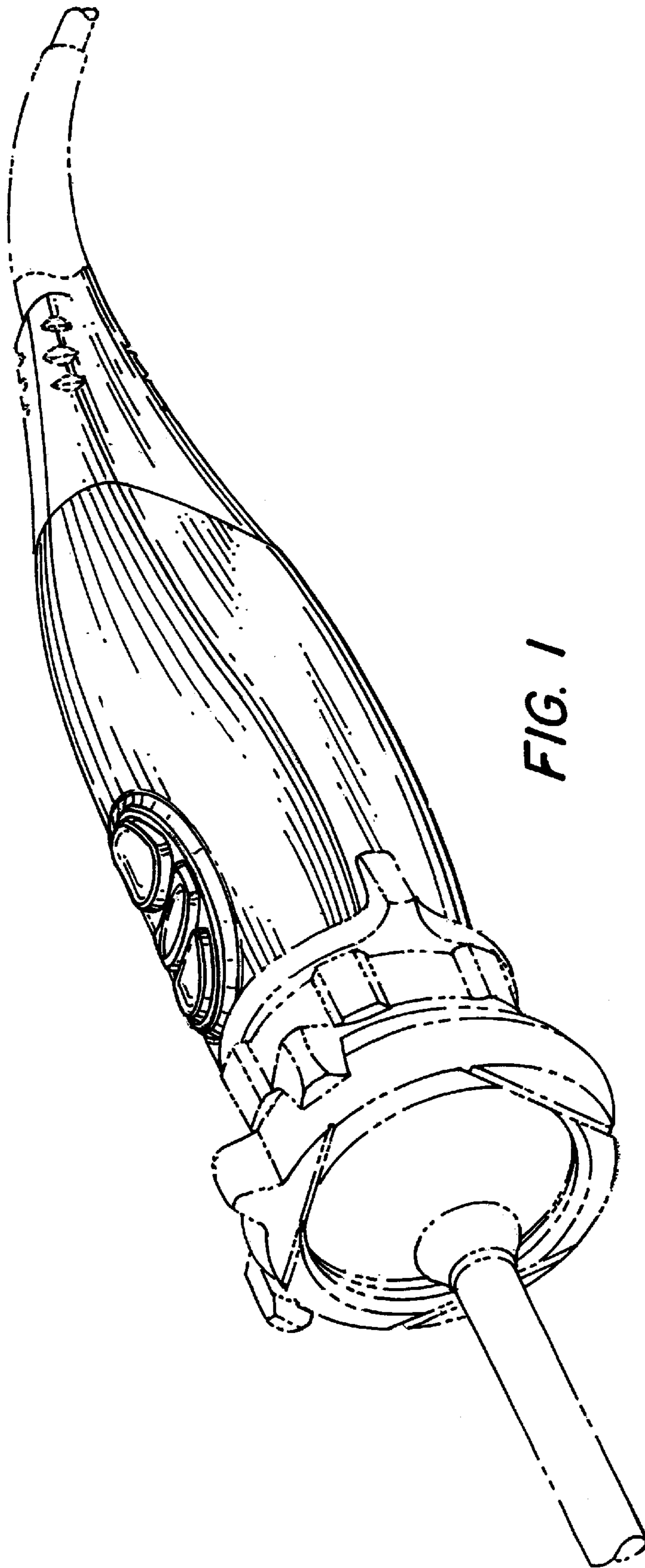


FIG. 1

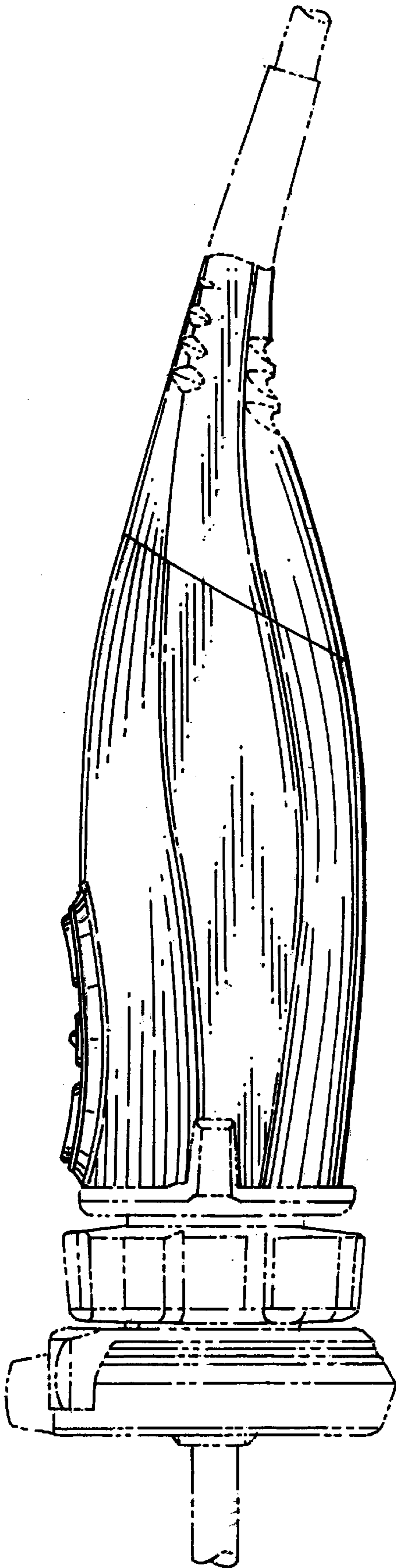


FIG. 2

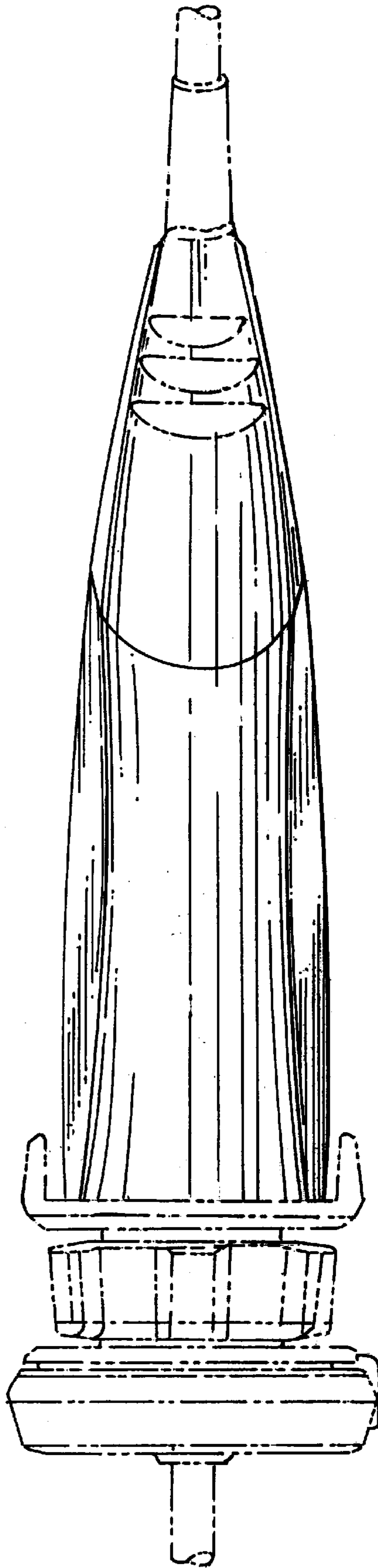


FIG. 3

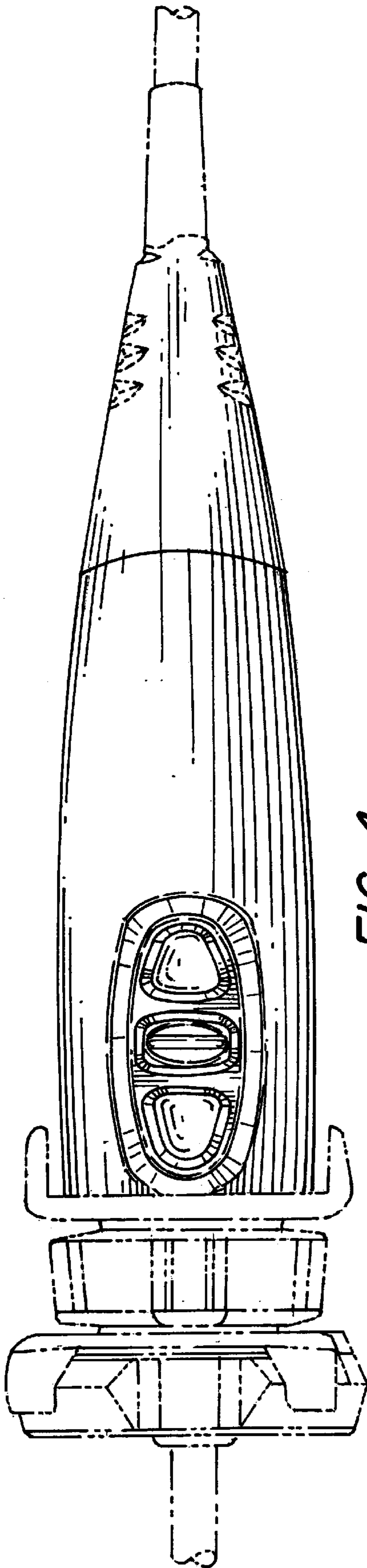


FIG. 4

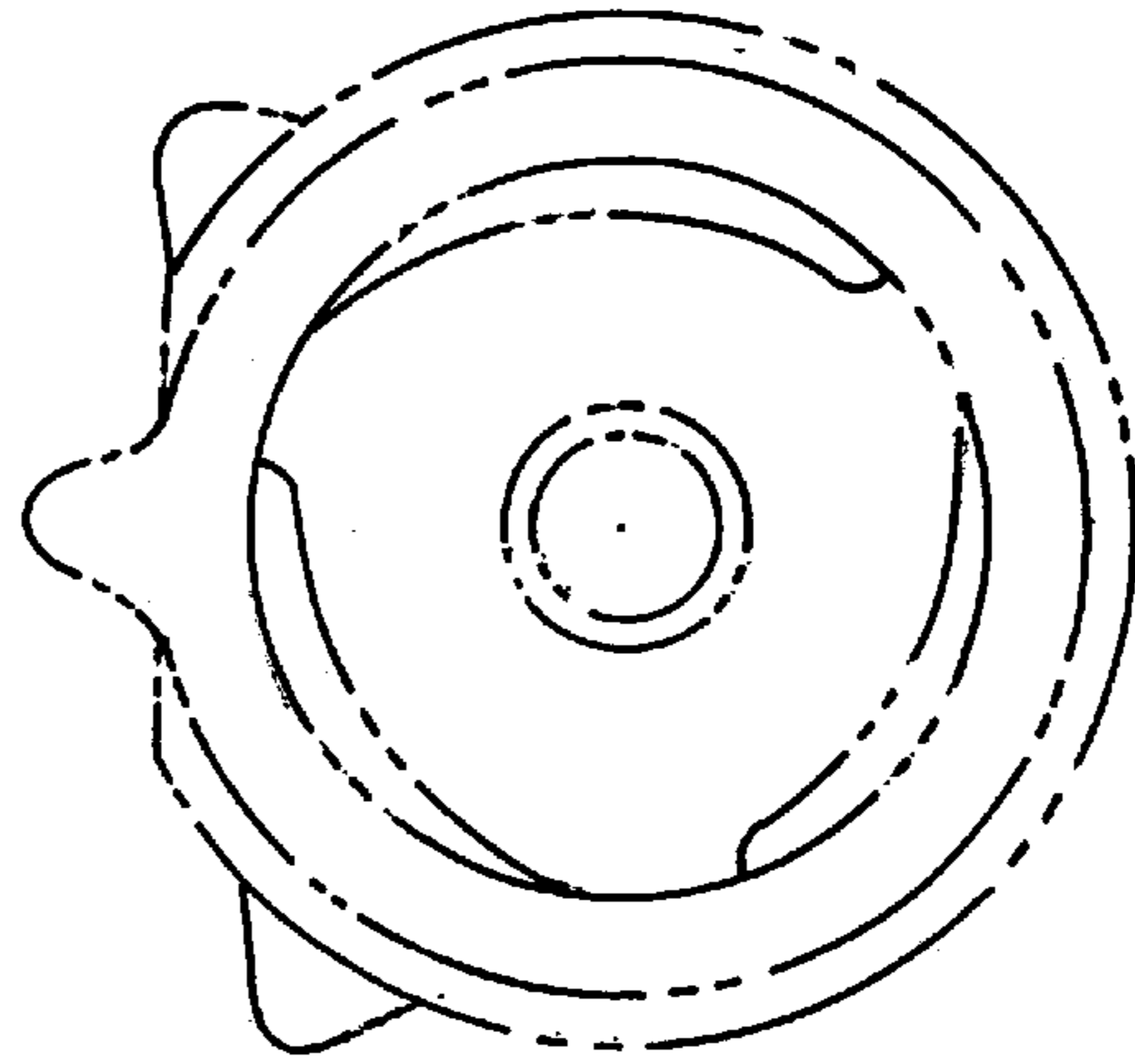


FIG. 6

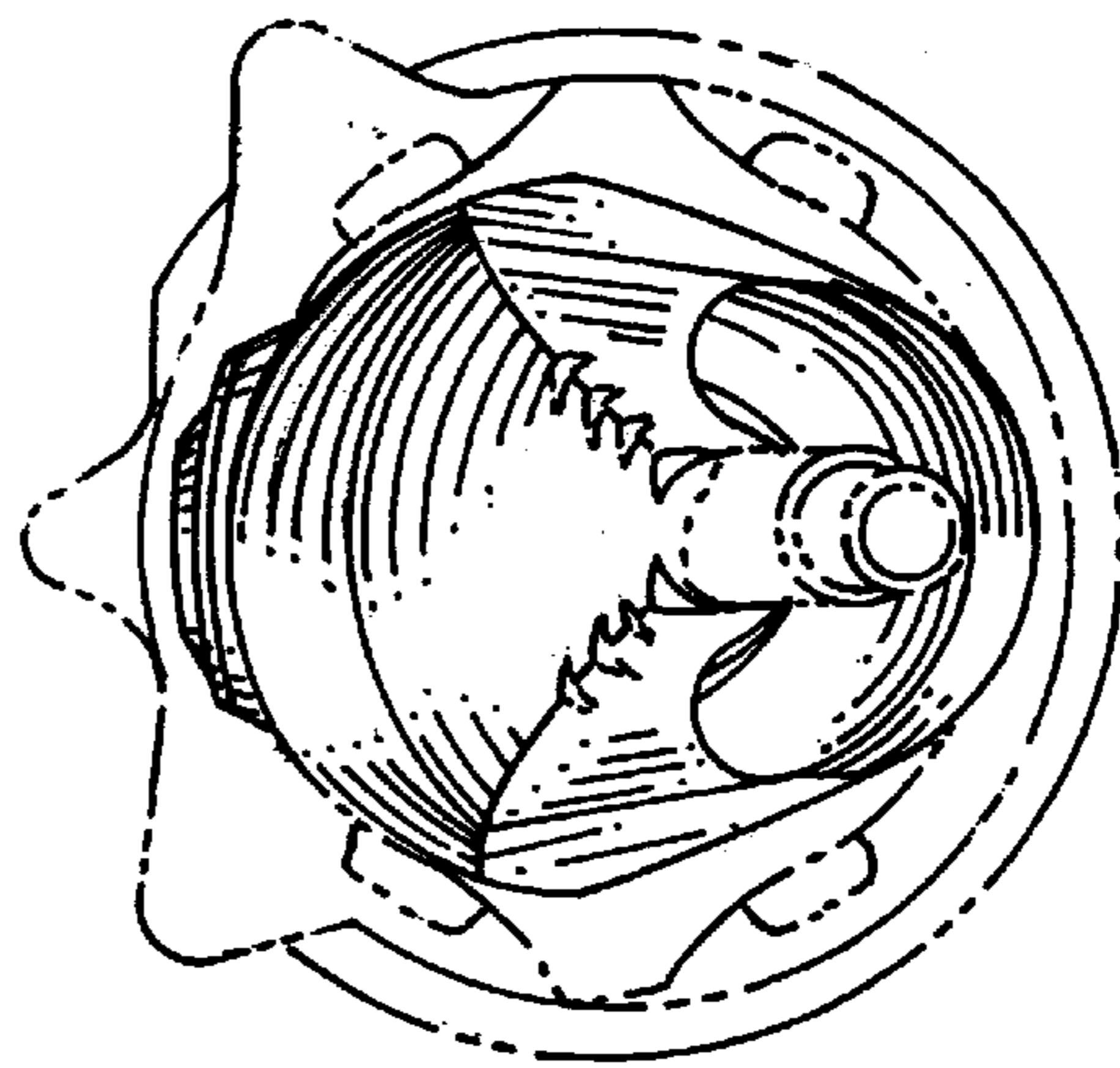


FIG. 5