



US00D474271S

(12) **United States Design Patent**
Iori et al.

(10) **Patent No.:** **US D474,271 S**

(45) **Date of Patent:** **** May 6, 2003**

(54) **APPLICATOR TIP FOR TAKING SPECIMEN**

(75) Inventors: **Hitomi Iori**, Nakagawa-machi (JP);
Nobuya Kajiwara, Kobe (JP); **Koji Ochiai**, Kakogawa (JP)

(73) Assignee: **International Reagents Corporation**,
Kobe (JP)

(**) Term: **14 Years**

(21) Appl. No.: **29/157,870**

(22) Filed: **Mar. 28, 2002**

(30) **Foreign Application Priority Data**

Oct. 18, 2001 (JP) 2001-034062

(51) **LOC (7) Cl.** **24-02**

(52) **U.S. Cl.** **D24/119; D24/133; D24/147;**
D24/216

(58) **Field of Search** D24/119, 147,
D24/133, 141, 216; 600/569, 570, 572,
562; 604/1; 422/102, 56, 58, 61, 101; 435/304.2,
307.1, 309.1

(56) **References Cited**

U.S. PATENT DOCUMENTS

3,640,268	A *	2/1972	Davis	600/572
4,027,658	A *	6/1977	Marshall	600/570
D364,003	S *	11/1995	Benson	D24/224
5,477,863	A *	12/1995	Grant	D24/223
5,543,115	A *	8/1996	Karakawa	422/102
6,312,395	B1 *	11/2001	Tripp et al.	600/572

* cited by examiner

Primary Examiner—Ian Simmons

(74) *Attorney, Agent, or Firm*—Shinju Global IP
Counselors, LLP

(57) **CLAIM**

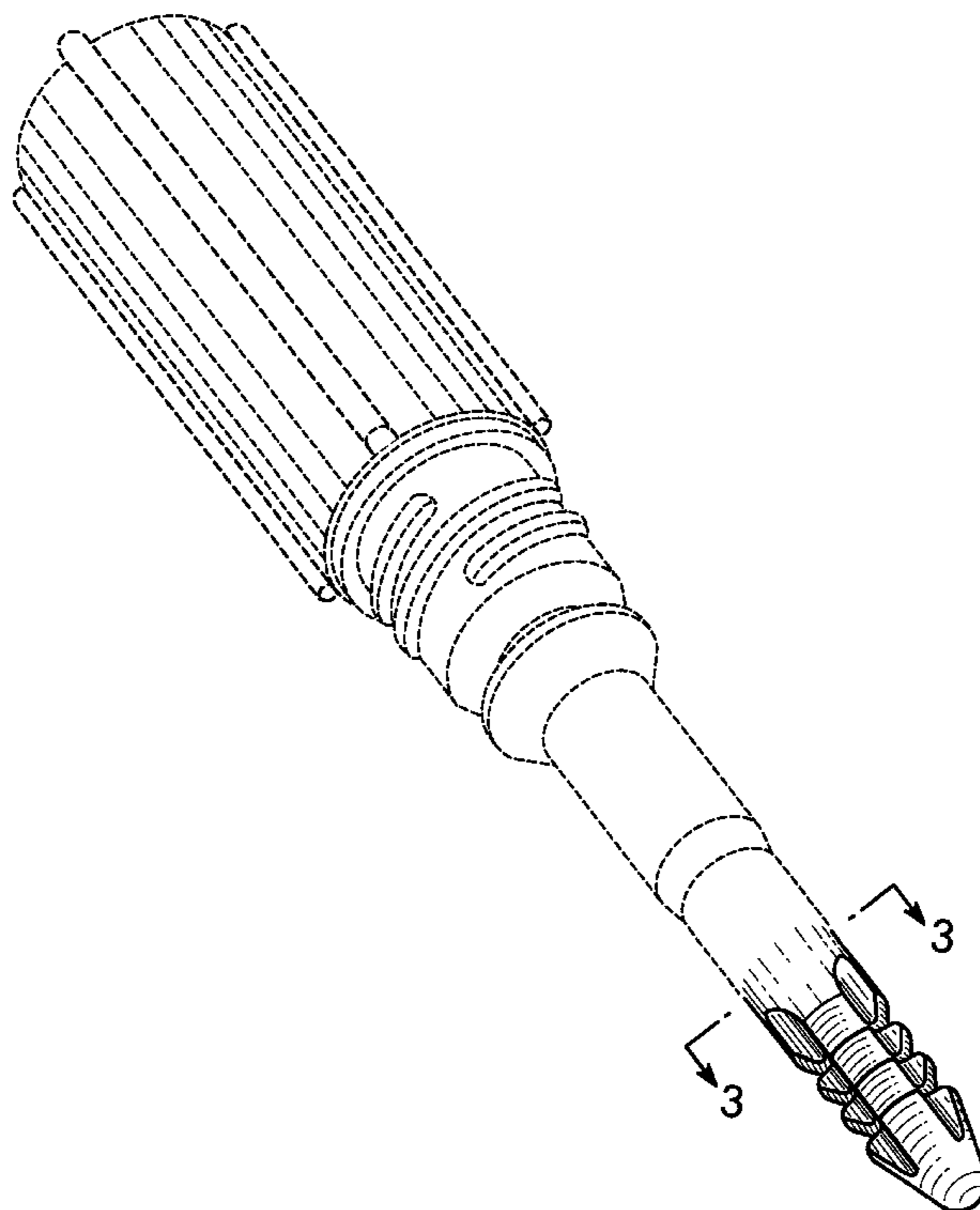
The ornamental design for an applicator tip for taking
specimen, as shown and described.

DESCRIPTION

FIG. 1 is a perspective view of an applicator tip for taking
specimen in accordance with our new design;
FIG. 2 is a tip end elevational view of the applicator tip for
taking specimen illustrated in FIG. 1;
FIG. 3 is a cross-section elevational view of the applicator
tip for taking specimen illustrated in FIGS. 1 and 2 as
viewed along section line 3—3 of FIG. 1;
FIG. 4 is a left side elevational view of the applicator tip for
taking specimen illustrated in FIGS. 1—3;
FIG. 5 is a right side elevational view of the applicator tip
for taking specimen illustrated in FIGS. 1—4;
FIG. 6 is a top plan view of the applicator tip for taking
specimen illustrated in FIGS. 1—5;
FIG. 7 is a bottom plan view of the applicator tip for taking
specimen illustrated in FIGS. 1—6; and,
FIG. 8 is an inclined front side view of the applicator tip for
taking specimen illustrated in FIGS. 1—7.

The broken line showing of environment (the remaining
structure of the applicator tip for taking specimen) in the
Figures is for illustrative purposes only and forms no part of
the claimed design.

1 Claim, 3 Drawing Sheets



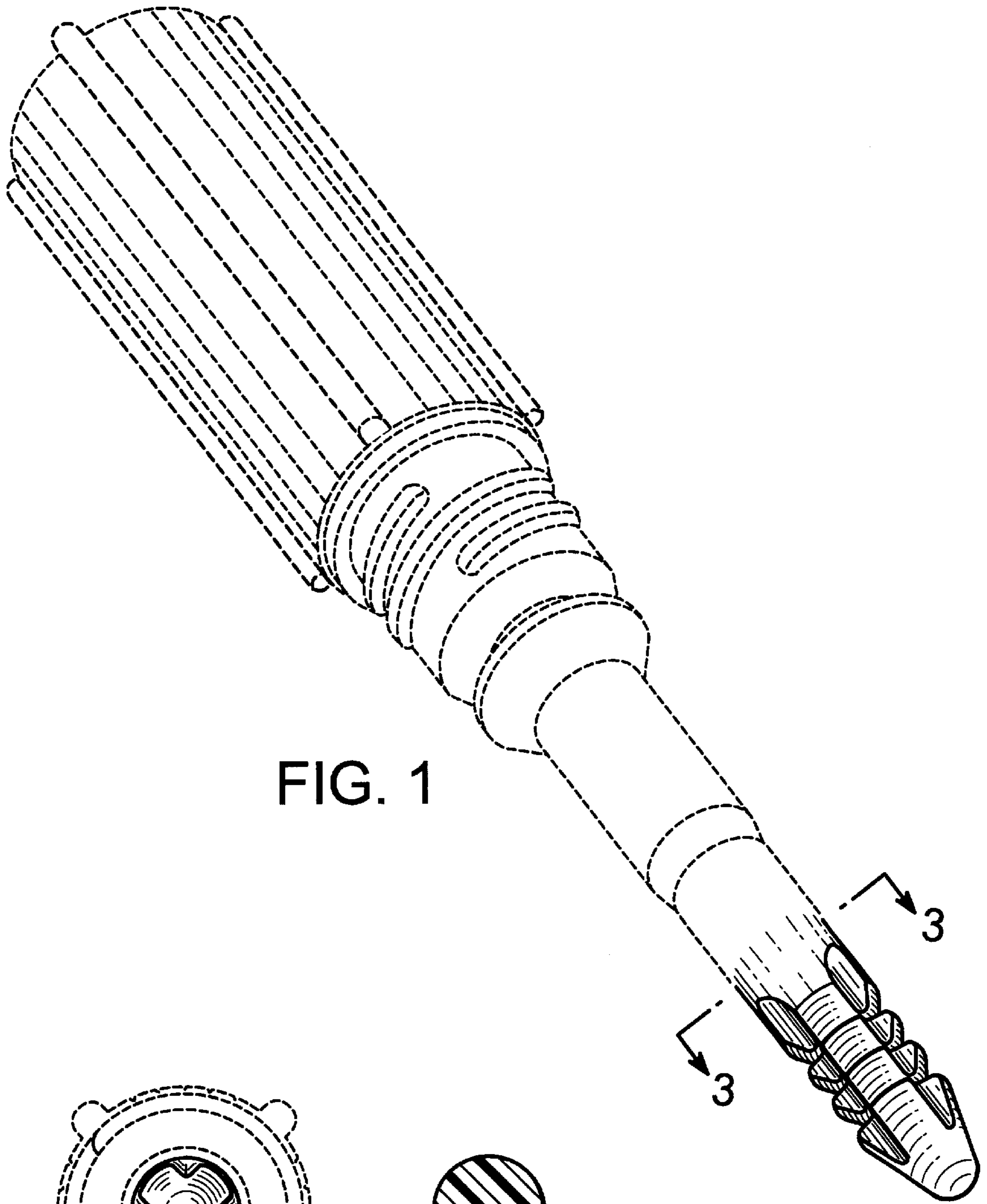


FIG. 1

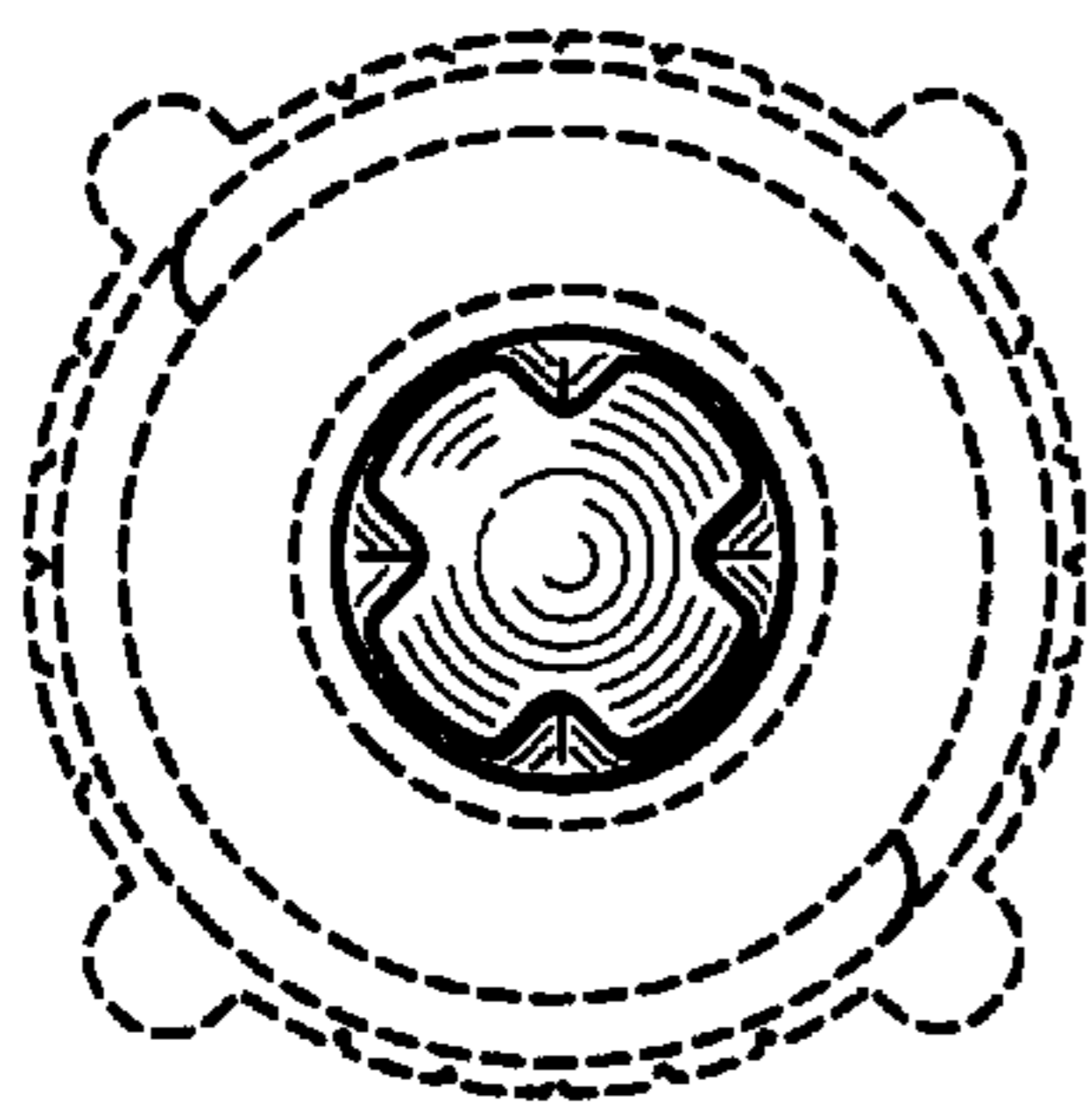


FIG. 2



FIG. 3

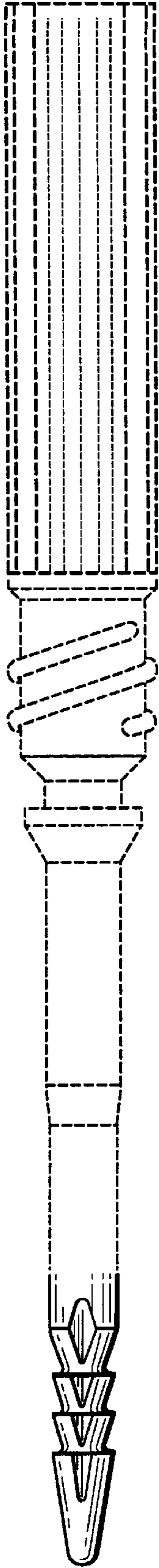


FIG. 4

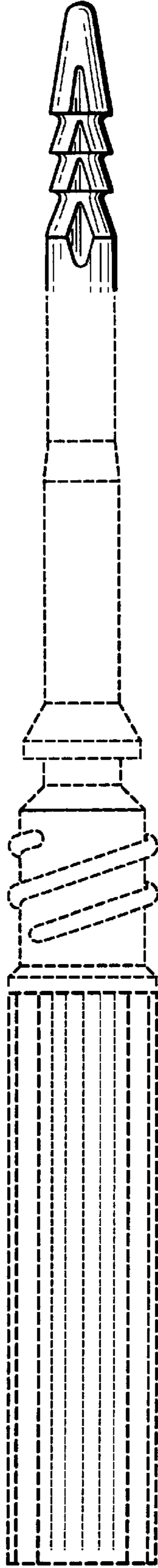


FIG. 5

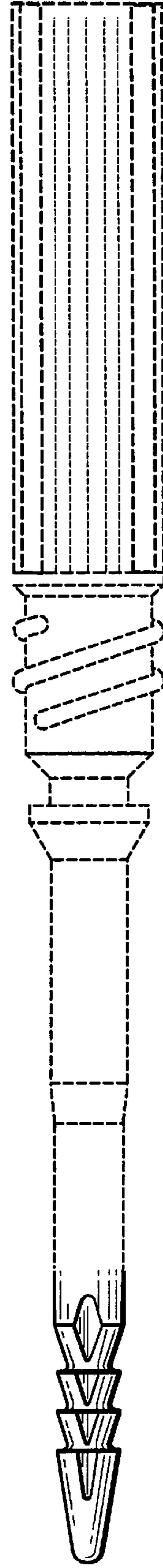


FIG. 6

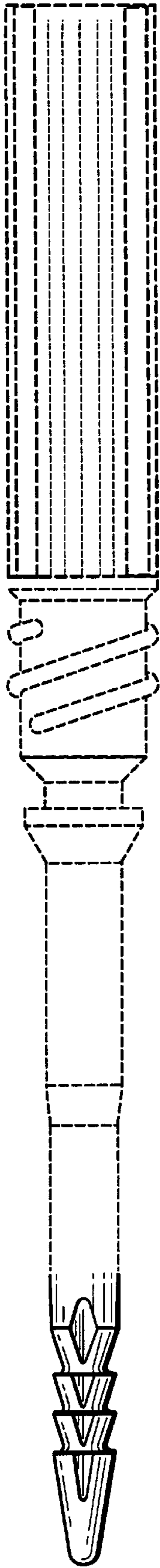


FIG. 7

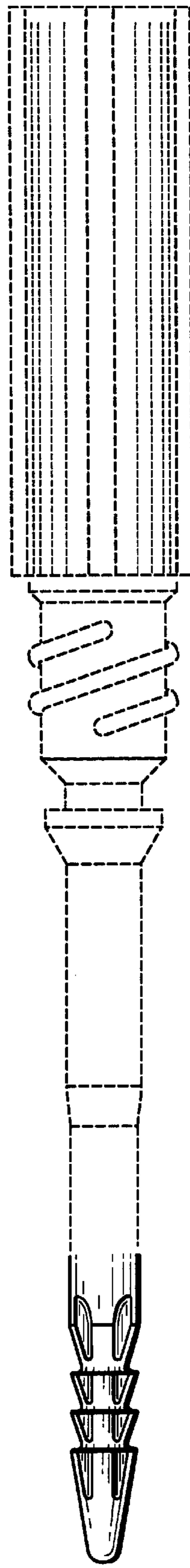


FIG. 8