



US00D474270S

(12) **United States Design Patent**
Anderson

(10) **Patent No.:** **US D474,270 S**

(45) **Date of Patent:** **** May 6, 2003**

(54) **SET OF NOSE CONES**

(75) Inventor: **Leslie B. Anderson**, Easton, PA (US)

(73) Assignee: **Medico International, Inc.**, Palmer, PA (US)

(**) Term: **14 Years**

(21) Appl. No.: **29/153,045**

(22) Filed: **Dec. 21, 2001**

(51) **LOC (7) Cl.** **29-02**

(52) **U.S. Cl.** **D24/110**

(58) **Field of Search** D21/110, 110.1,
D21/110.5, 163, 164; 128/202.12, 205.26,
203.12, 207.11, 206.21, 206.24, 200.14,
206.26

(56) **References Cited**

U.S. PATENT DOCUMENTS

3,505,998	A	*	4/1970	Halstead et al.	128/207.11
4,332,244	A	*	6/1982	Levy et al.	128/205.25
4,513,741	A	*	4/1985	Demi	128/205.25
4,577,628	A	*	3/1986	Hickmann	128/205.26
6,349,725	B1	*	2/2002	Perkins et al.	128/206.21

* cited by examiner

Primary Examiner—Ian Simmons

(74) *Attorney, Agent, or Firm*—Dann, Dorfman, Herrell and Skillman; Henry H. Skillman

(57) **CLAIM**

The ornamental design for a set of nose cones, as shown and described.

DESCRIPTION

FIG. 1 is a perspective view of a set of nose cones for use with anesthesia apparatus for laboratory animals, the first component being a nose cone for large laboratory animals, the second component being a nose cone for use with medium sized laboratory animals, and the third nose cone for use with small laboratory animals;

FIG. 2 is a front elevation of the first component of the set of nose cones, the top plan and bottom plan views being identical, a lefthand portion of the component being broken away to illustrate the thickness of the sidewall of the component;

FIG. 3 is a left side elevational view of the first component shown in FIG. 2;

FIG. 4 is a right side elevational view of the component shown in FIG. 2;

FIG. 5 is a front elevation of the second component of the set of nose cones, the top plan view and the bottom plan view being identical, a portion of the lefthand end of the drawing being broken away to illustrate the thickness of the side wall of the component;

FIG. 6 is a left side elevation of the second component shown in FIG. 5;

FIG. 7 is a right side elevation of the component shown in FIG. 5;

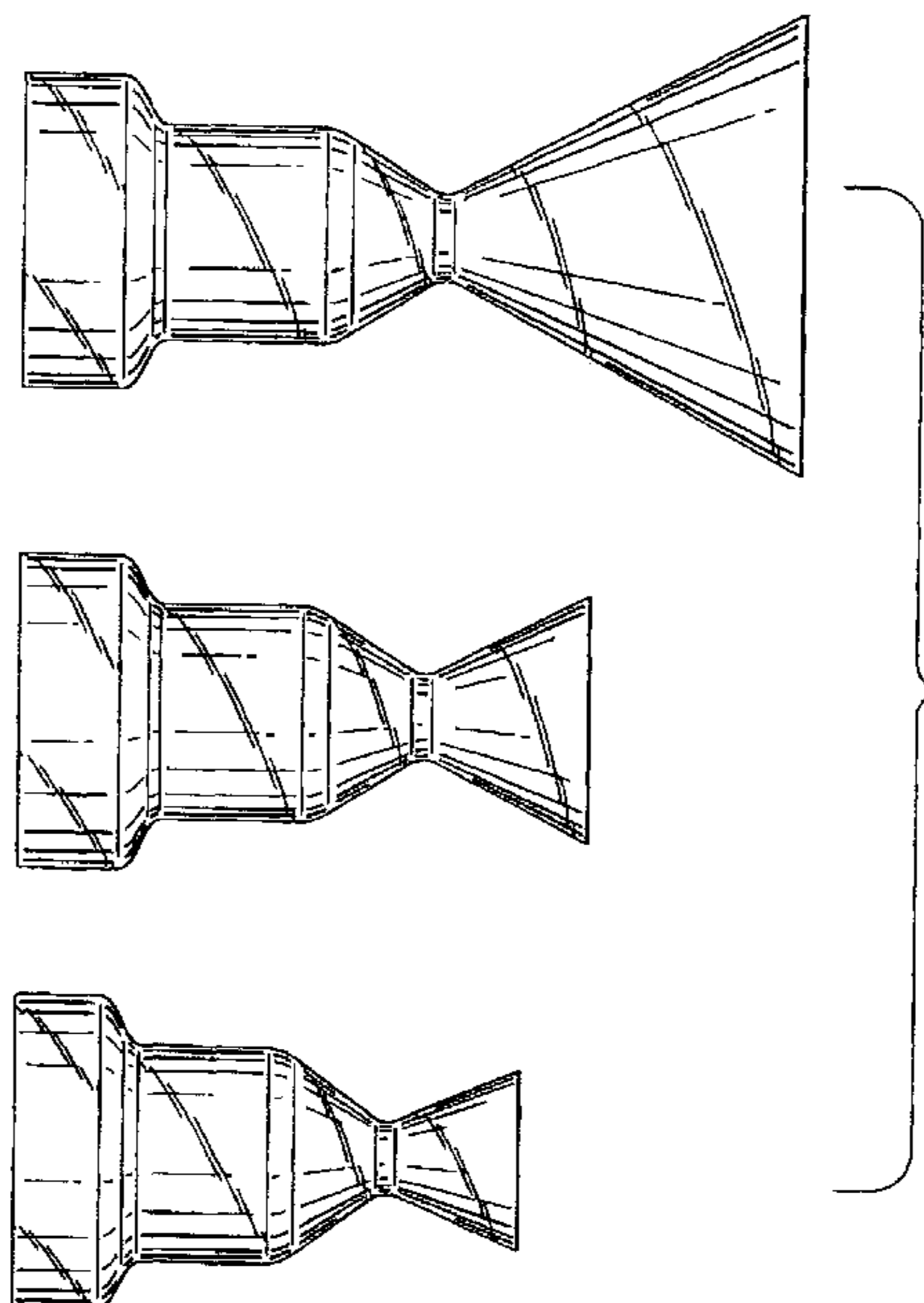
FIG. 8 is a front elevational view of the third component of the set of nose cones, the top and bottom plan views thereof being identical, a portion of the lefthand end of the drawing being broken away to illustrate the thickness of the sidewall of the component;

FIG. 9 is a left side elevation of the third component shown in FIG. 5.

FIG. 10 is a right side elevation of the component shown in FIG. 5; and,

FIG. 11 is a front elevation of the first component of the set of nose cones showing its attachment to an anathesia machine indicated in broken lines in FIG. 11.

1 Claim, 5 Drawing Sheets



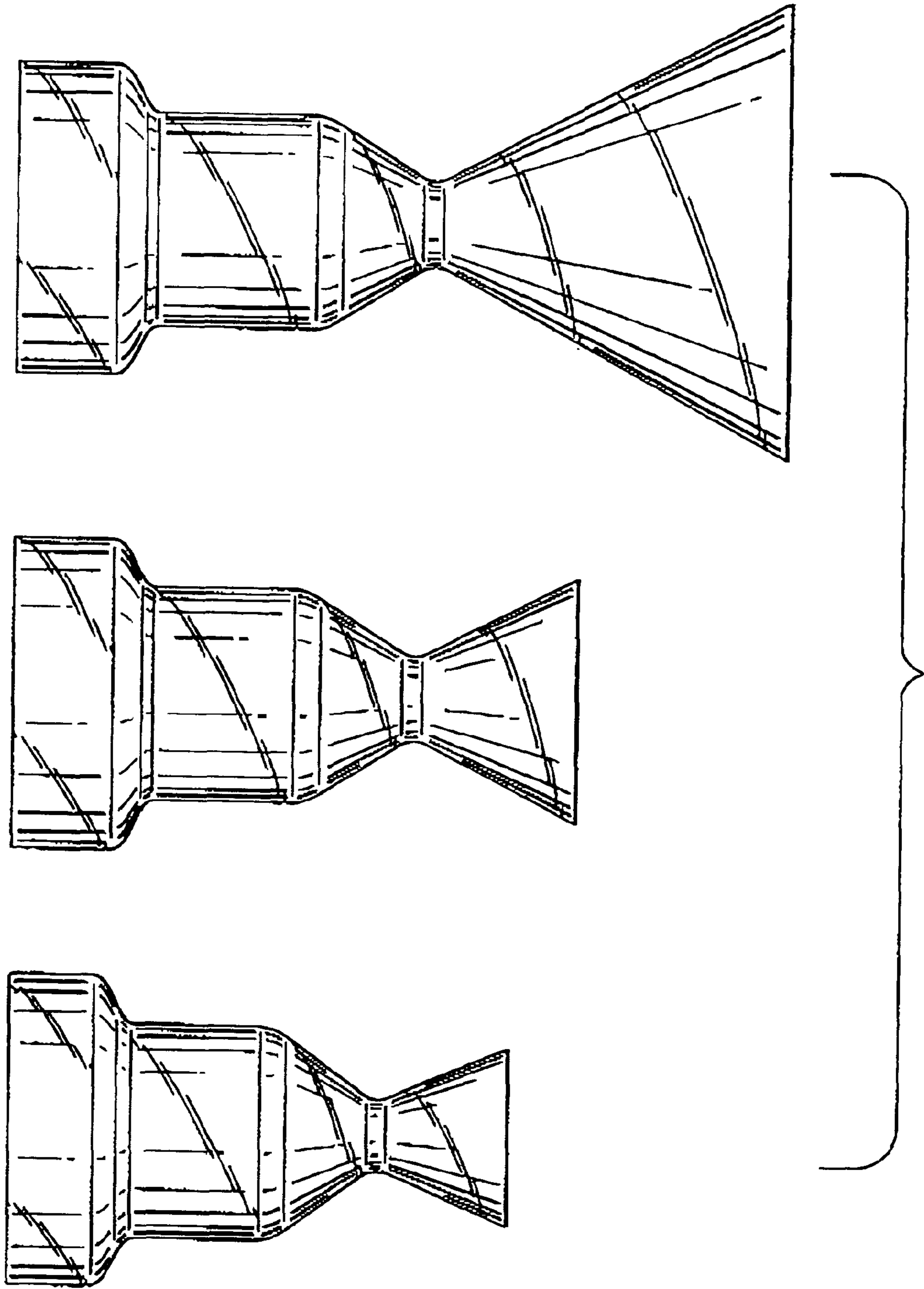


Fig. 1

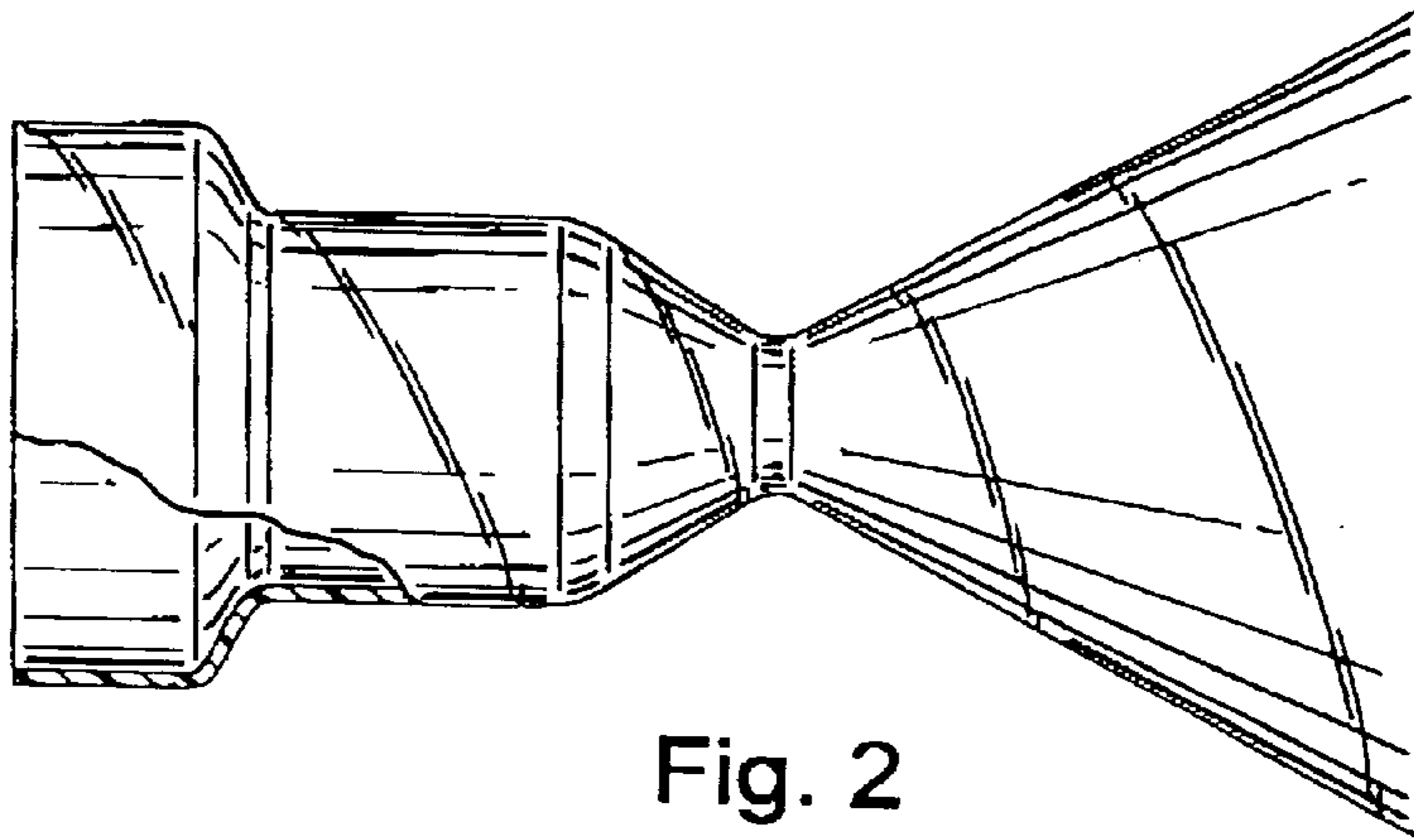


Fig. 2

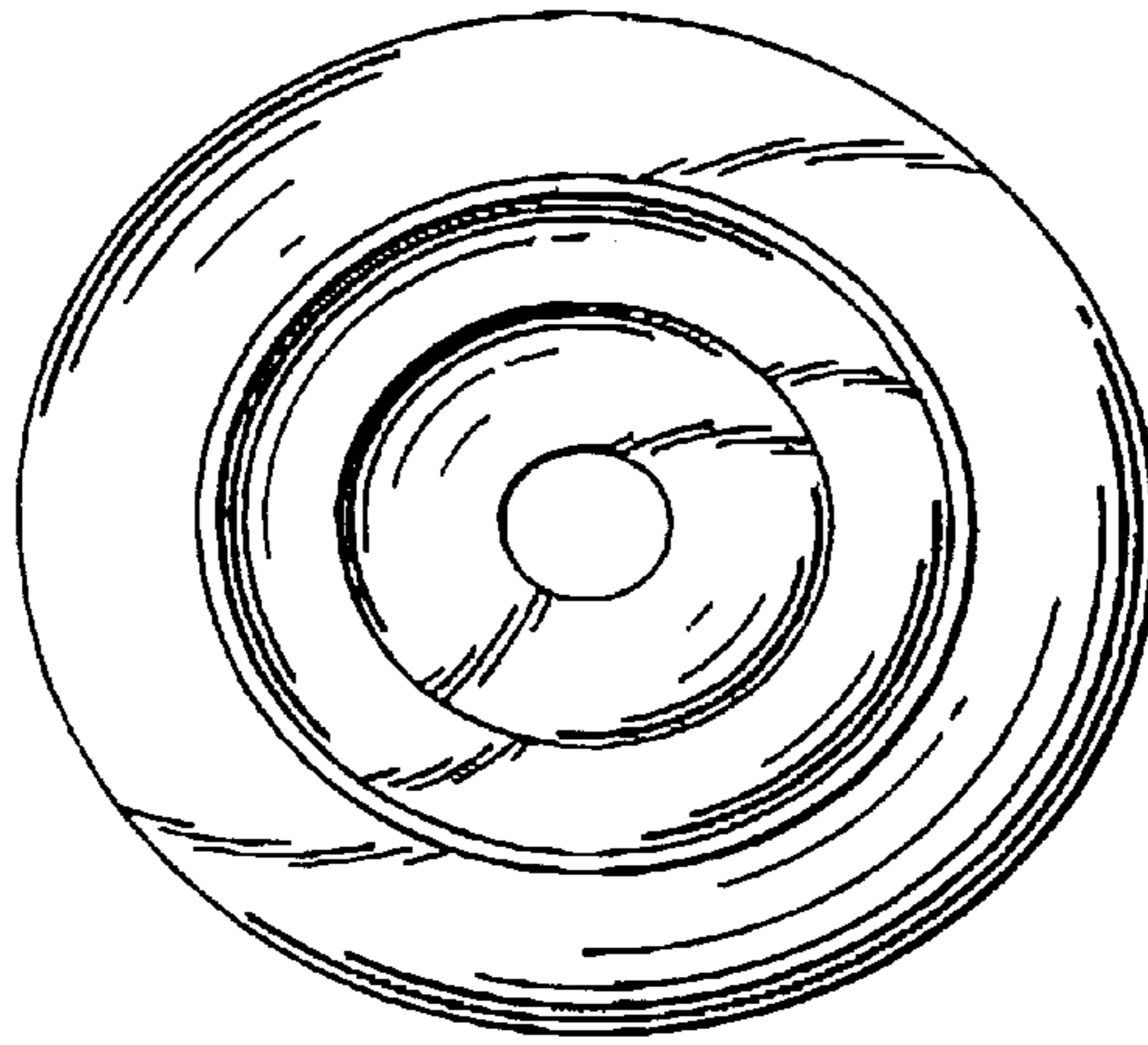


Fig. 3

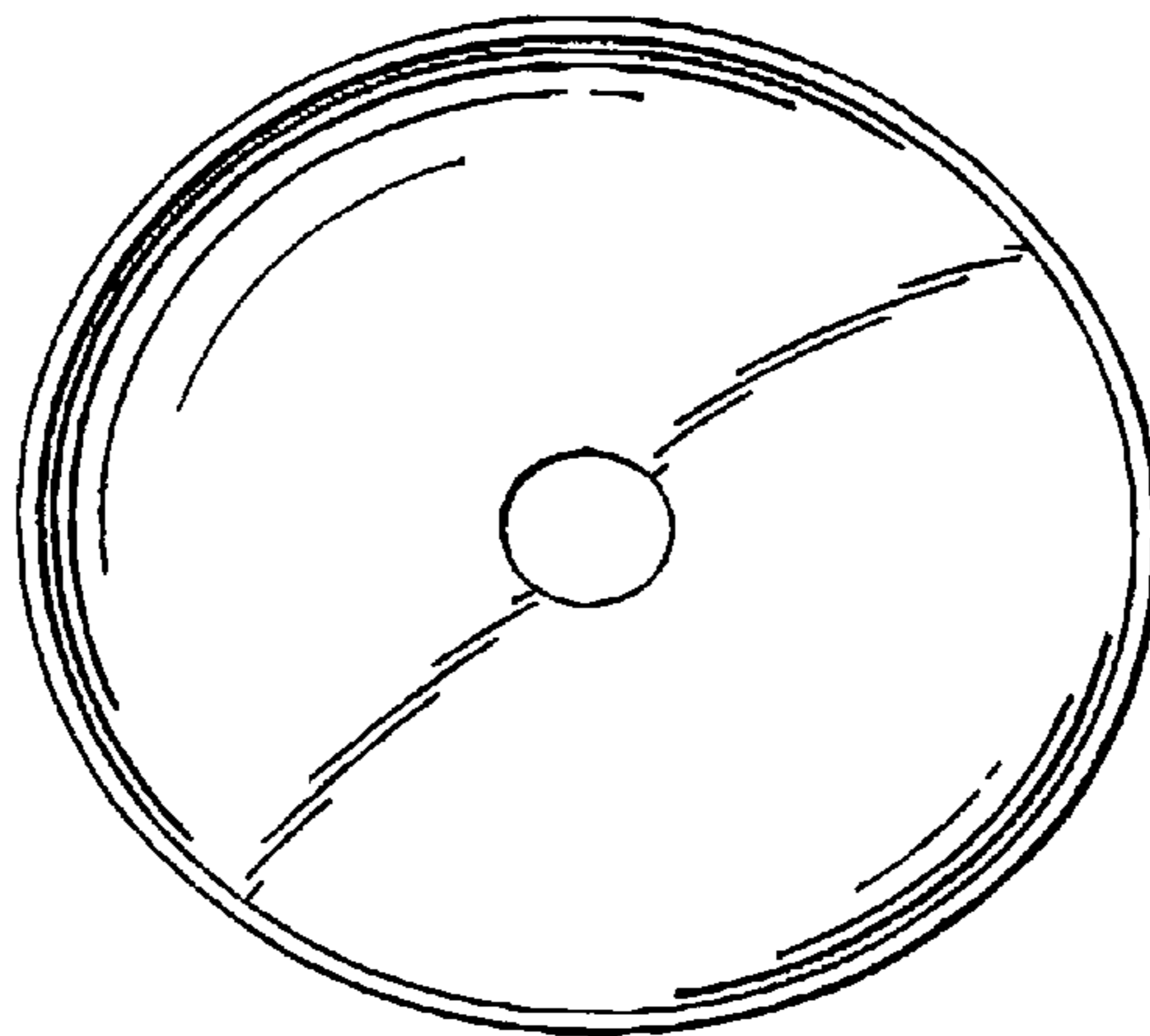


Fig. 4

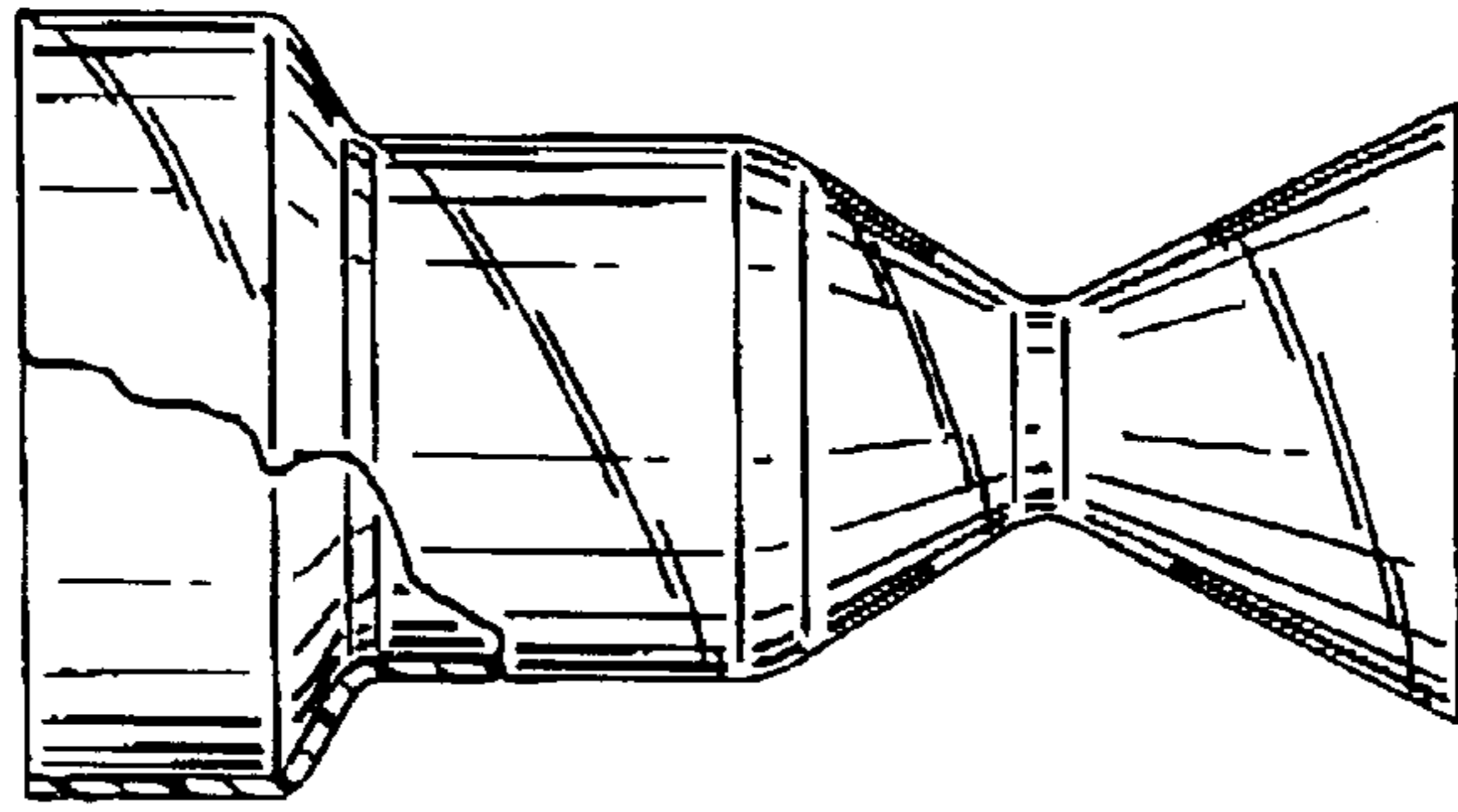


Fig. 5

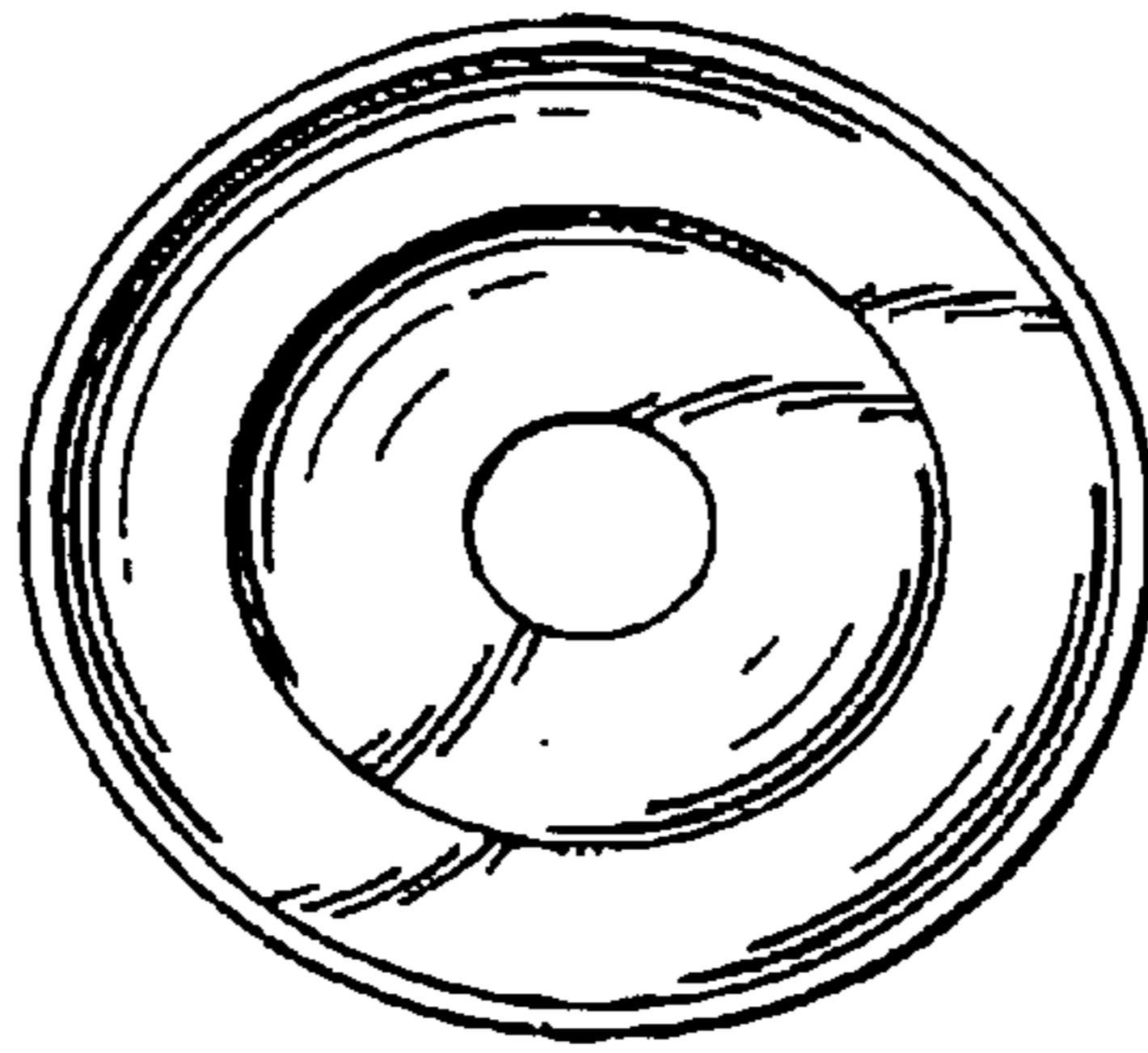


Fig. 6

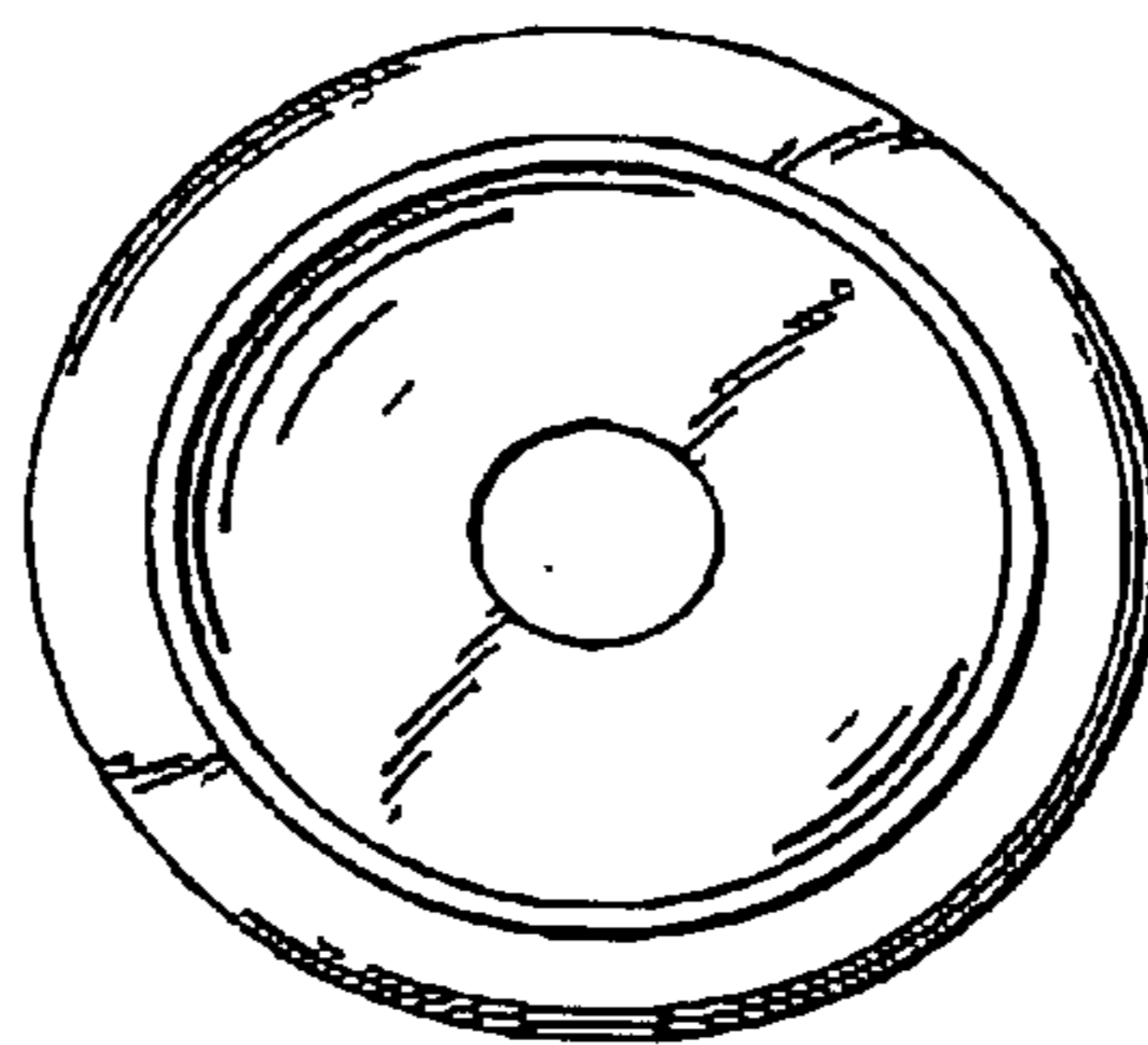


Fig. 7

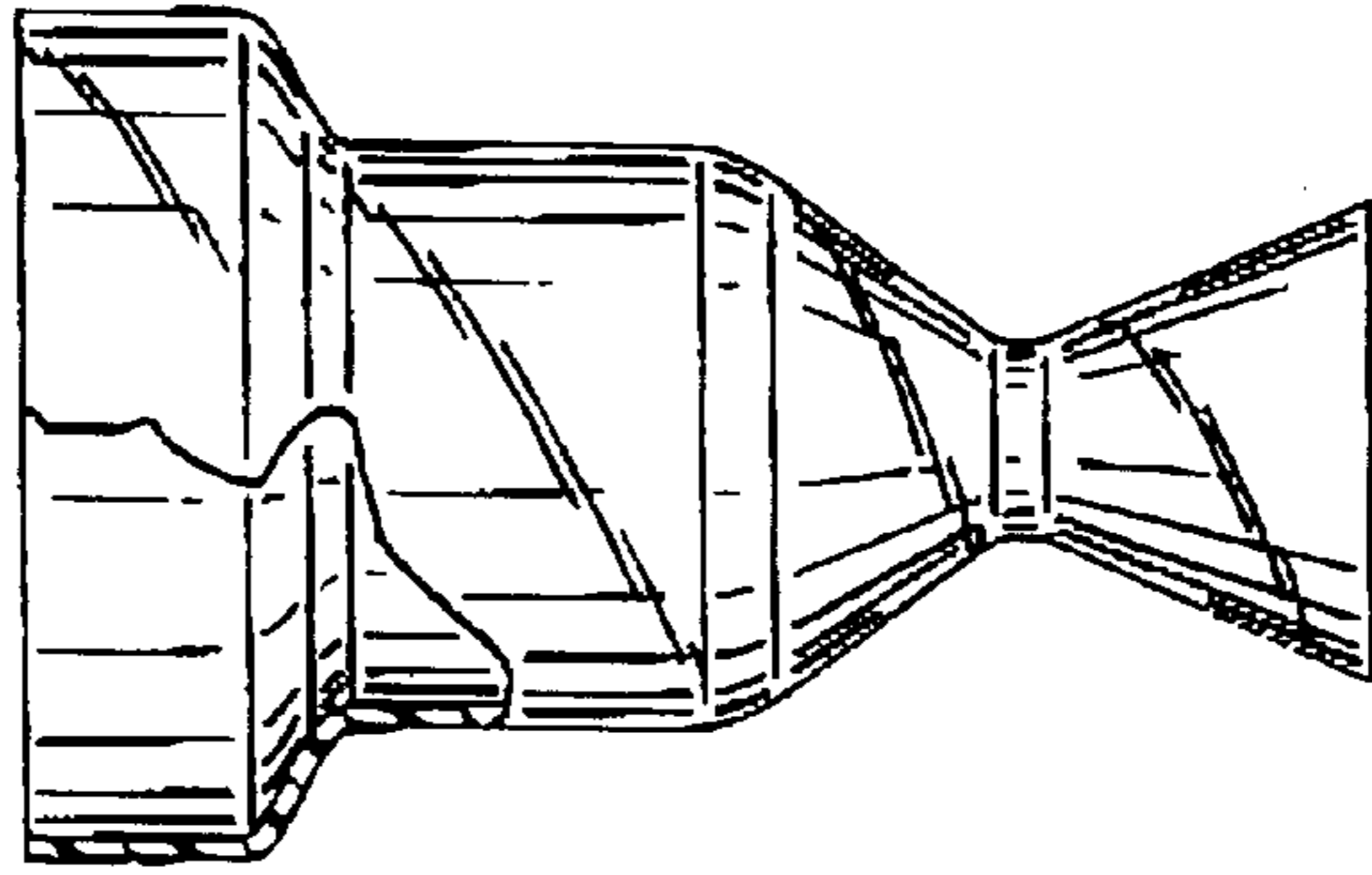


Fig. 8

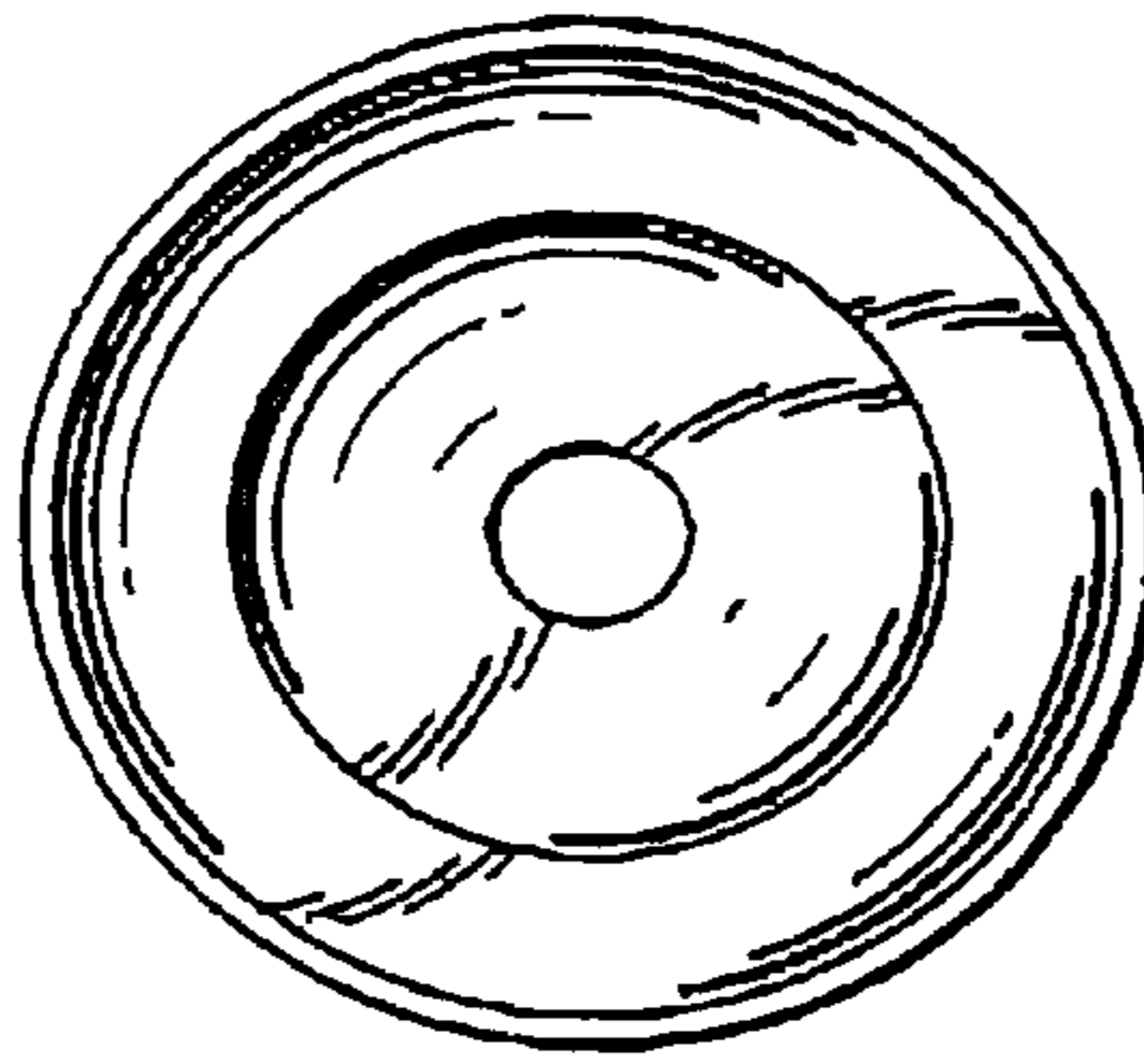


Fig. 9

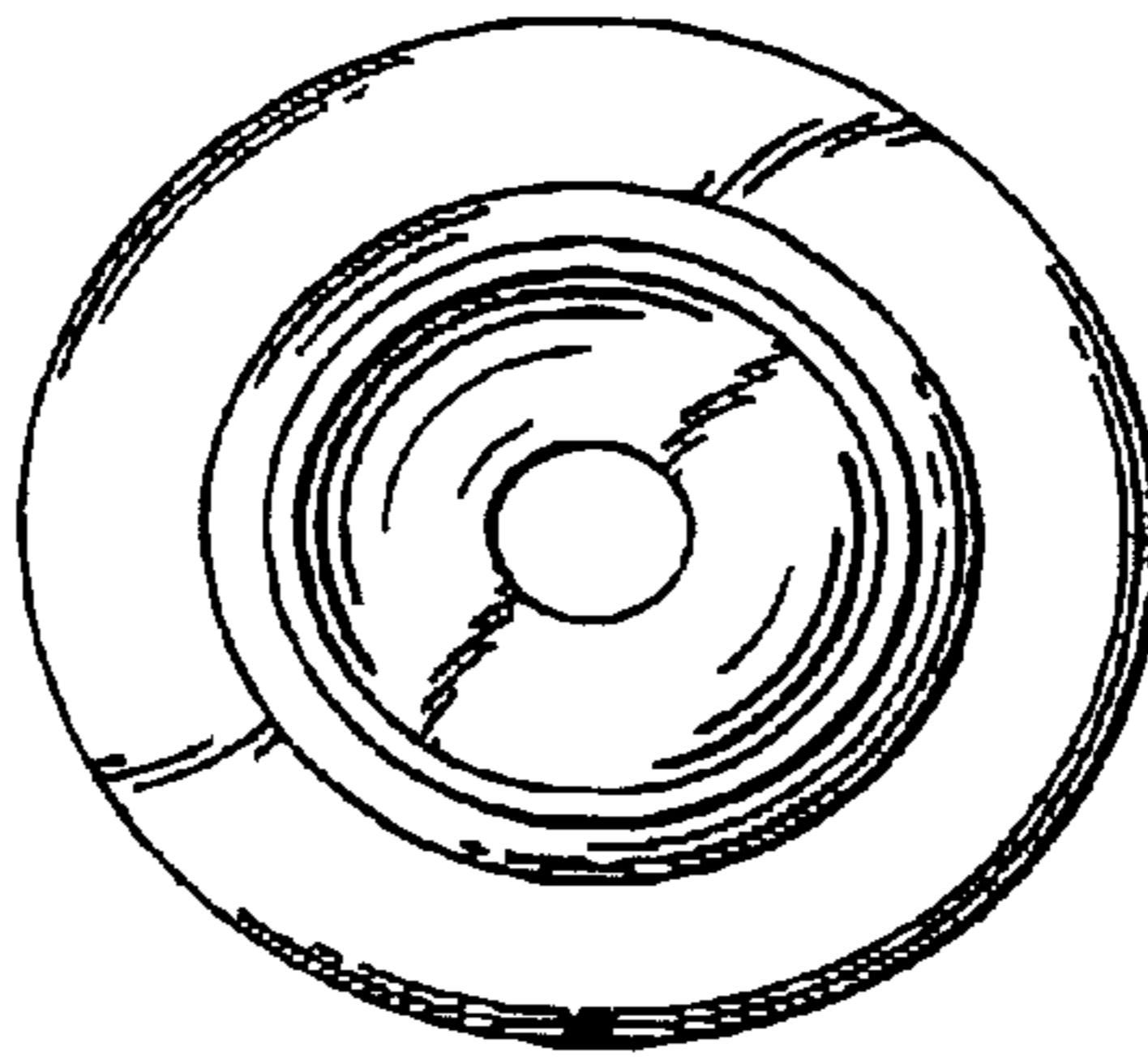


Fig. 10

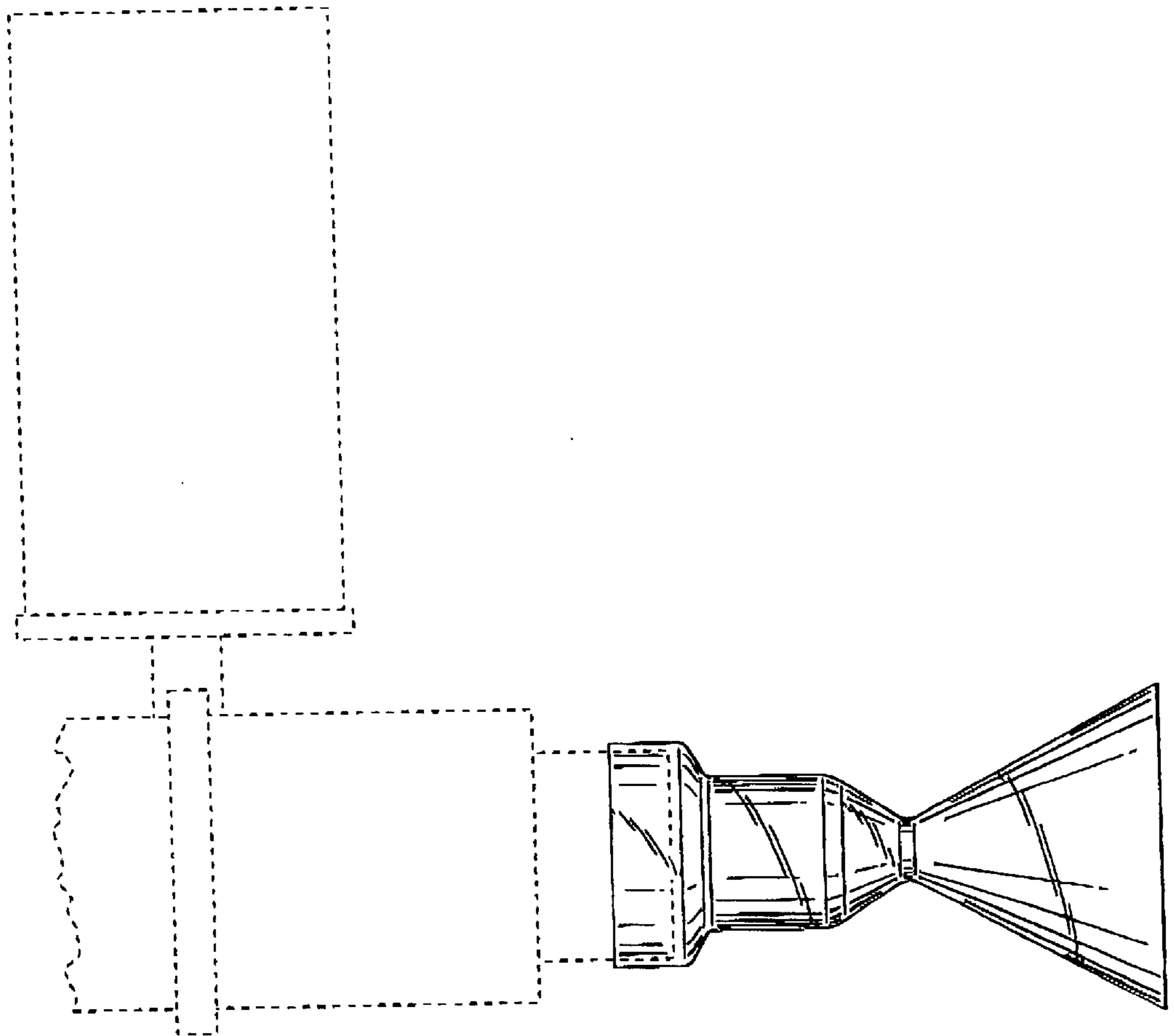


Fig. 11