



US00D474267S

(12) **United States Design Patent**
Mosley, Sr.

(10) **Patent No.:** **US D474,267 S**

(45) **Date of Patent:** **** May 6, 2003**

(54) **COMBINED AIR FRESHENER AND ELASTIC BAND FOR MOUNTING ON A CEILING FAN BLADE**

5,775,876 A 7/1998 Walker et al.
5,935,526 A 8/1999 Moore

* cited by examiner

(76) **Inventor:** **Leo T. Mosley, Sr.**, 7685 Fairbanks Ferry Rd., Havana, FL (US) 32333-5054

Primary Examiner—M. H. Tung
(74) *Attorney, Agent, or Firm*—Donald R. Schoonover

(**) **Term:** **14 Years**

(57) **CLAIM**

I claim the ornamental design for a combined air freshener and elastic band for mounting on a ceiling fan blade, as shown and described.

(21) **Appl. No.:** **29/157,360**

(22) **Filed:** **Mar. 19, 2002**

DESCRIPTION

(51) **LOC (7) Cl.** **23-04**

(52) **U.S. Cl.** **D23/366**

(58) **Field of Search** D23/366-9; 422/120, 422/122-4; 239/211, 34-60

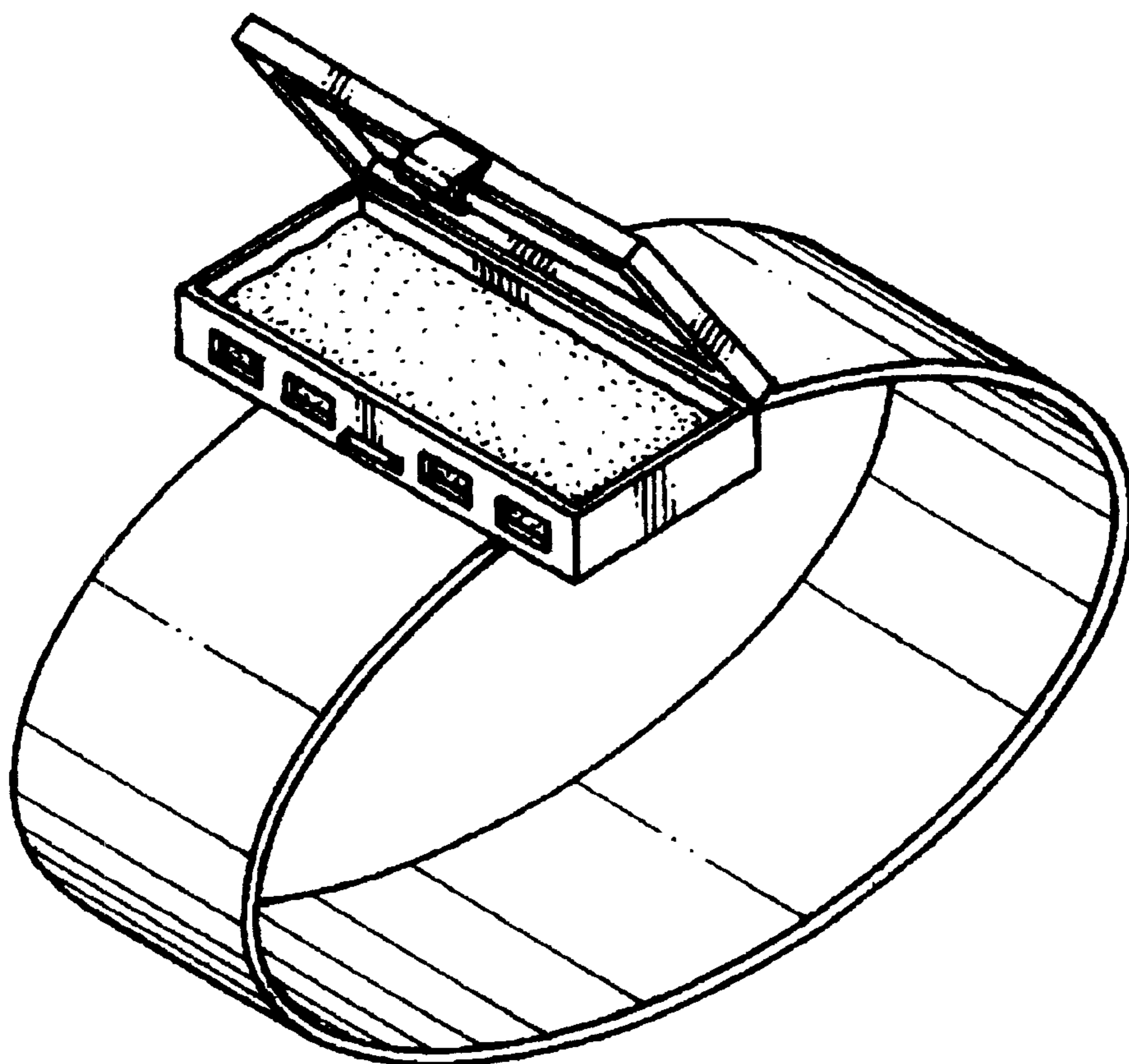
FIG. 1 is a perspective view of a combined air freshener and elastic band for mounting on a ceiling fan blade embodying the design of the present invention, on a reduced scale, the air freshener is shown with the top open; FIG. 2 is a front elevational view thereof; FIG. 3 is a rear elevational view thereof; FIG. 4 is a left side elevational view thereof, the right side elevational view being a mirror image thereof; FIG. 5 is a top plan view thereof; FIG. 6 is a bottom plan view thereof; and, FIG. 7 is a perspective view thereof, on a greatly reduced scale, the broken line drawing of a ceiling fan blade is for illustrative purposes only and forms no part of the claimed design.

(56) **References Cited**

U.S. PATENT DOCUMENTS

2,812,900 A	11/1957	Matthews
D295,555 S	5/1988	Greenberg
4,944,898 A	7/1990	Glaser
D324,910 S	* 3/1992	Portis
D329,282 S	* 9/1992	Petersimes, Sr. et al.
D334,800 S	4/1993	Portis
5,624,230 A	4/1997	Taylor et al.
D382,050 S	* 8/1997	Hayes
5,735,460 A	* 4/1998	Eisenbraun

1 Claim, 4 Drawing Sheets



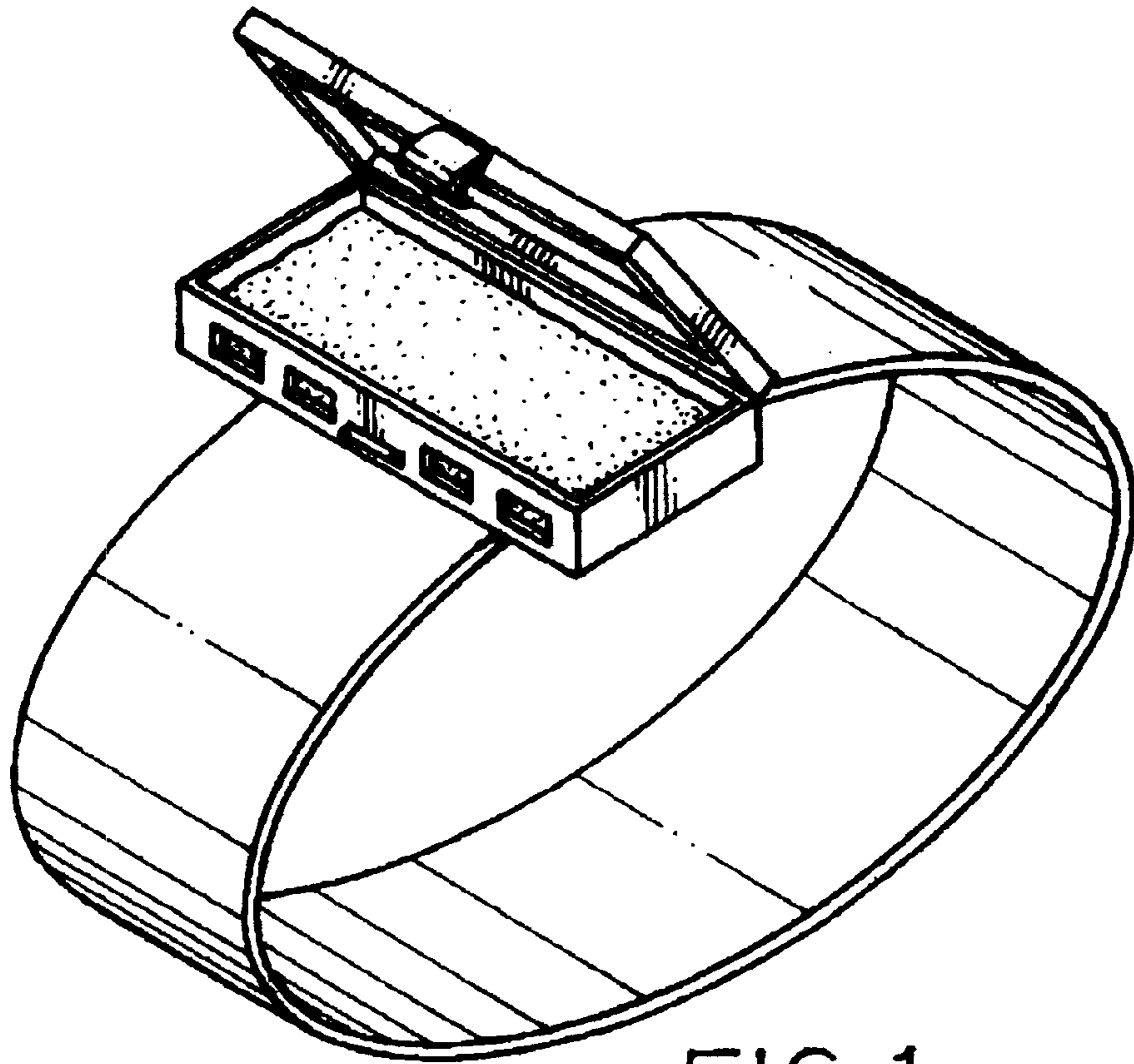


FIG. 1.

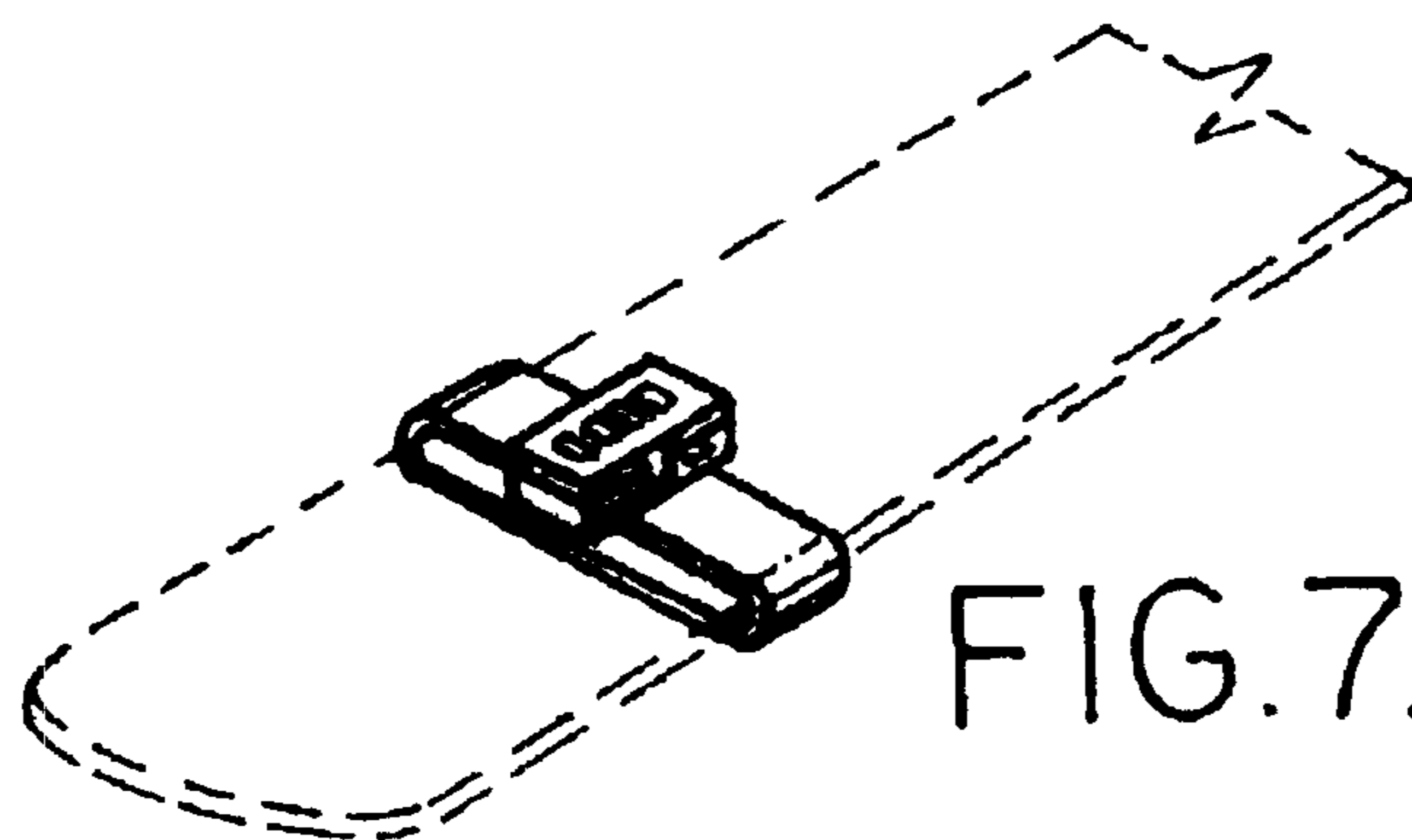


FIG. 7.

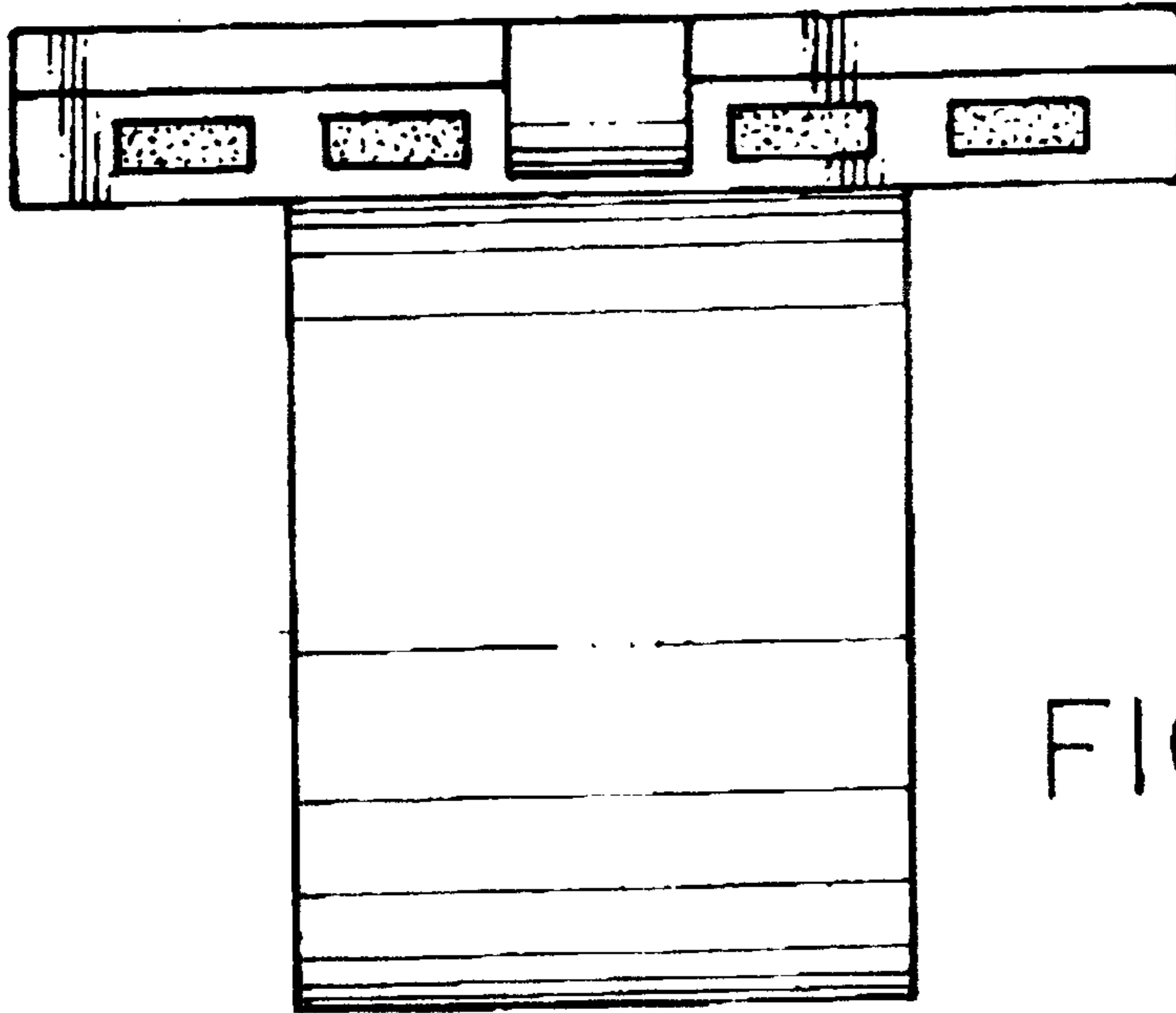


FIG. 2.

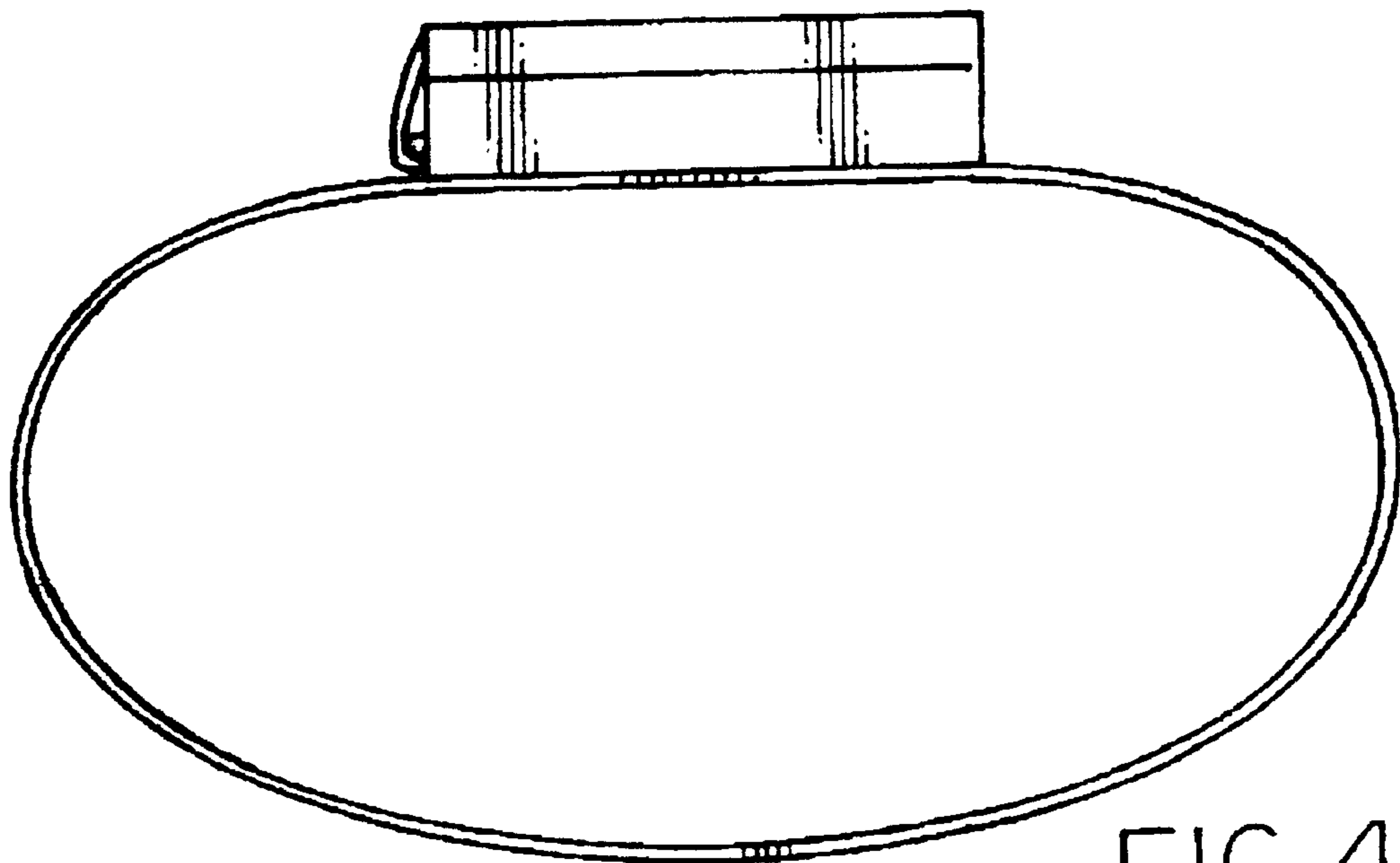


FIG. 4.

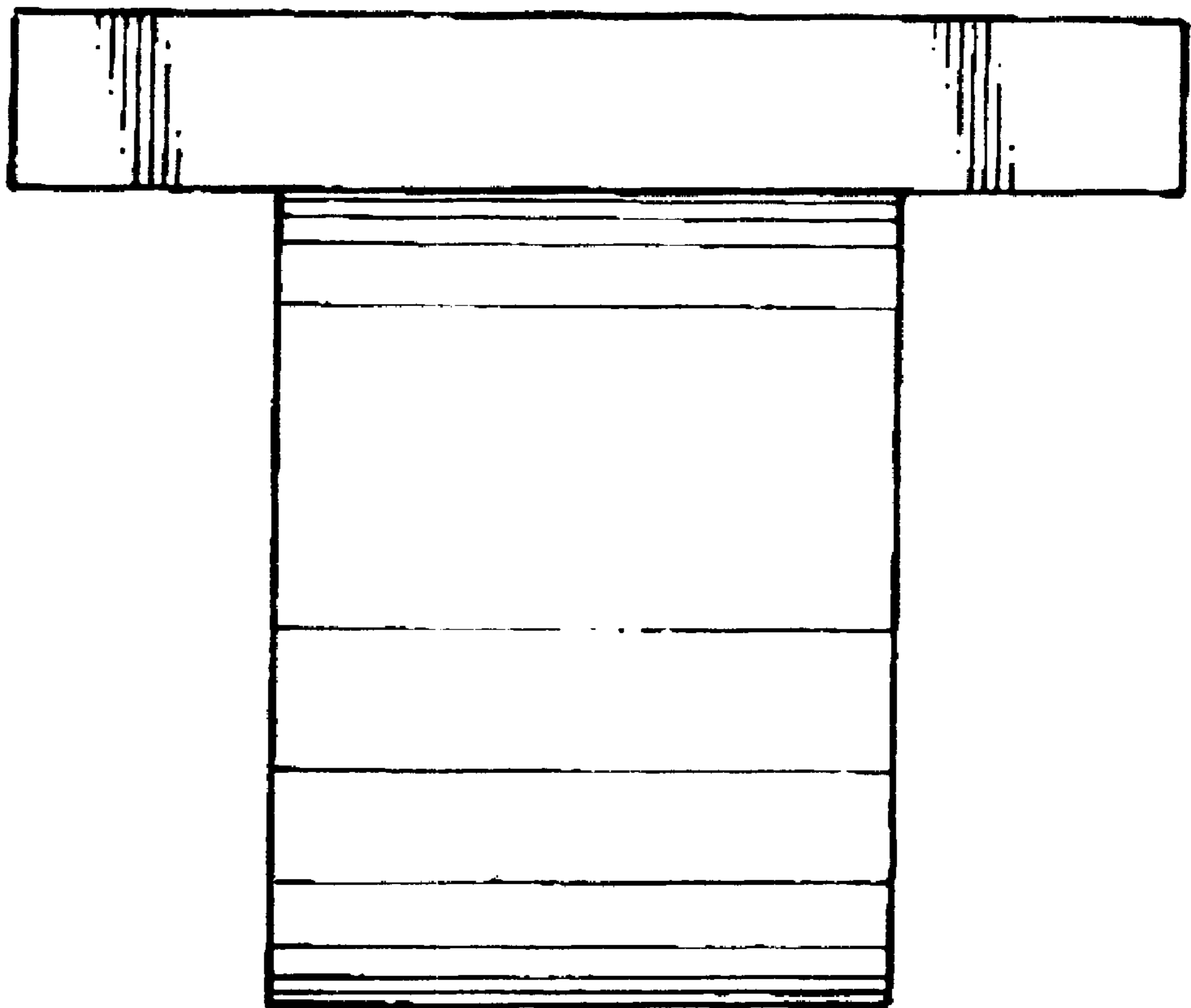


FIG. 3.

FIG. 5.

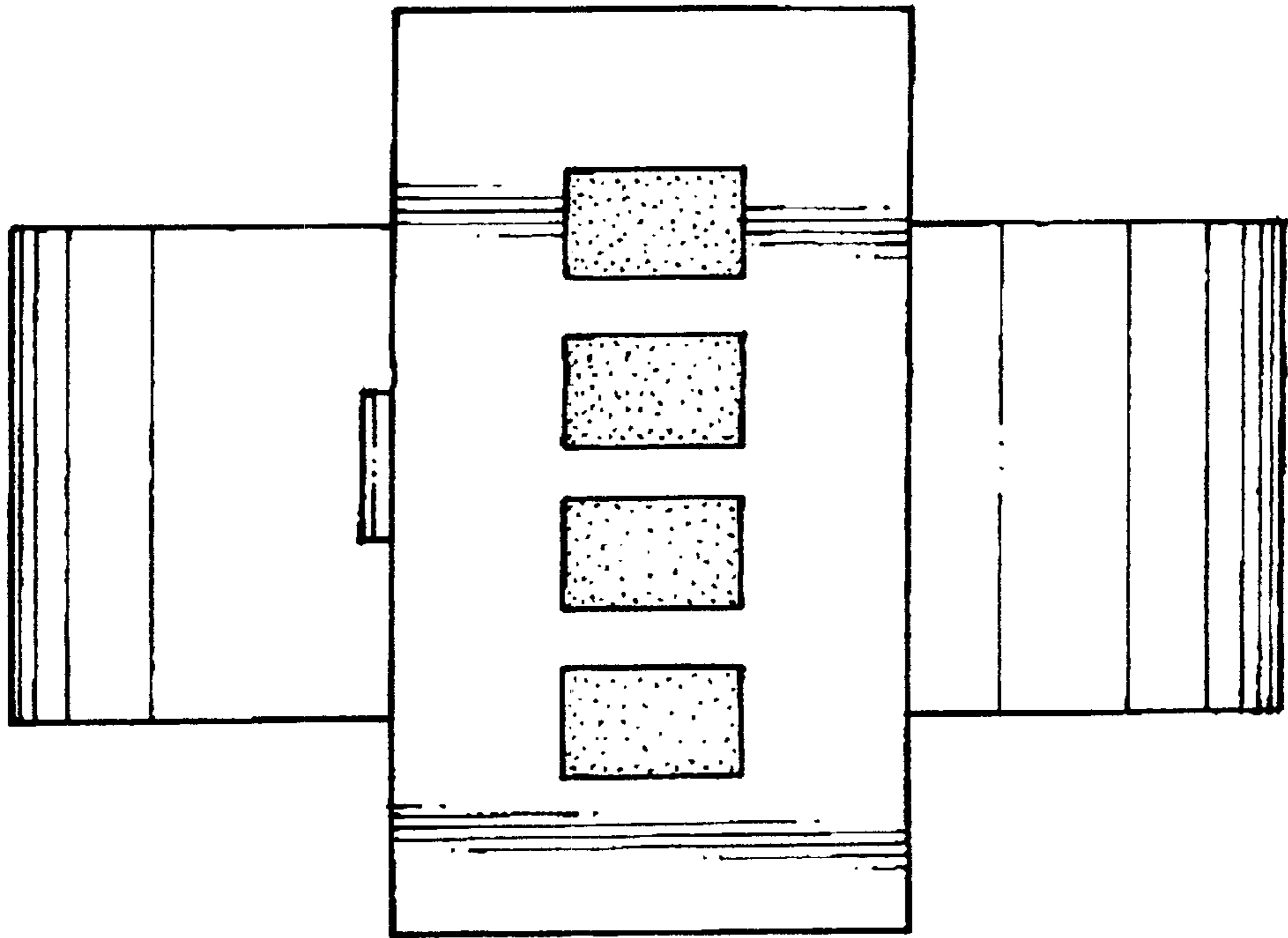


FIG. 6.

