



US00D474265S

(12) **United States Design Patent**  
**Love et al.**

(10) **Patent No.:** **US D474,265 S**

(45) **Date of Patent:** **\*\* May 6, 2003**

(54) **SPACER AND SHIM ASSEMBLY FOR ELEVATING THE WATER CLOSET RING OF A TOILET BOWL**

(76) Inventors: **Joe A. Love**, 848 Helen Dr., Hollister, CA (US) 95023; **Herman T. Charity, III**, P.O. Box 968, San Jose, CA (US) 95108; **Lincoln J. Alvord**, 225 Encina Ave., Redwood City, CA (US) 94061

(\*\*) Term: **14 Years**

(21) Appl. No.: **29/160,687**

(22) Filed: **May 14, 2002**

(51) **LOC (7) Cl.** ..... **23-03**

(52) **U.S. Cl.** ..... **D23/309**

(58) **Field of Search** ..... D8/349, 354; D23/303, D23/309; 4/252.1, 252.2, 252.3, 252.4, 252.5, 252.6, 419, DIG. 7; 29/402.01, 402.02; 285/56, 57, 58, 59, 60, 405, 406, 412, 413

(56) **References Cited**

**U.S. PATENT DOCUMENTS**

937,301	A	*	10/1909	Guild	.....	285/412
2,750,216	A	*	6/1956	Thies	.....	4/252.6
3,400,411	A	*	9/1968	Harvey	.....	4/252.6
4,873,730	A	*	10/1989	Cuschera	.....	285/56
5,492,372	A	*	2/1996	Dranberg	.....	285/56
5,819,326	A	*	10/1998	Kobayashi et al.	.....	4/DIG. 7

6,026,521	A	*	2/2000	Atkins	.....	4/252.4
6,155,606	A	*	12/2000	Phillips	.....	285/56
D452,555	S	*	12/2001	Morris	.....	D23/309
6,378,141	B1	*	4/2002	Lew	.....	4/252.1
6,435,563	B2	*	8/2002	Phillips	.....	285/56
6,442,769	B1	*	9/2002	Phillips	.....	4/252.4

\* cited by examiner

*Primary Examiner*—Doris V. Coles  
*Assistant Examiner*—Elizabeth A. Albert  
(74) *Attorney, Agent, or Firm*—The Kline Law Firm

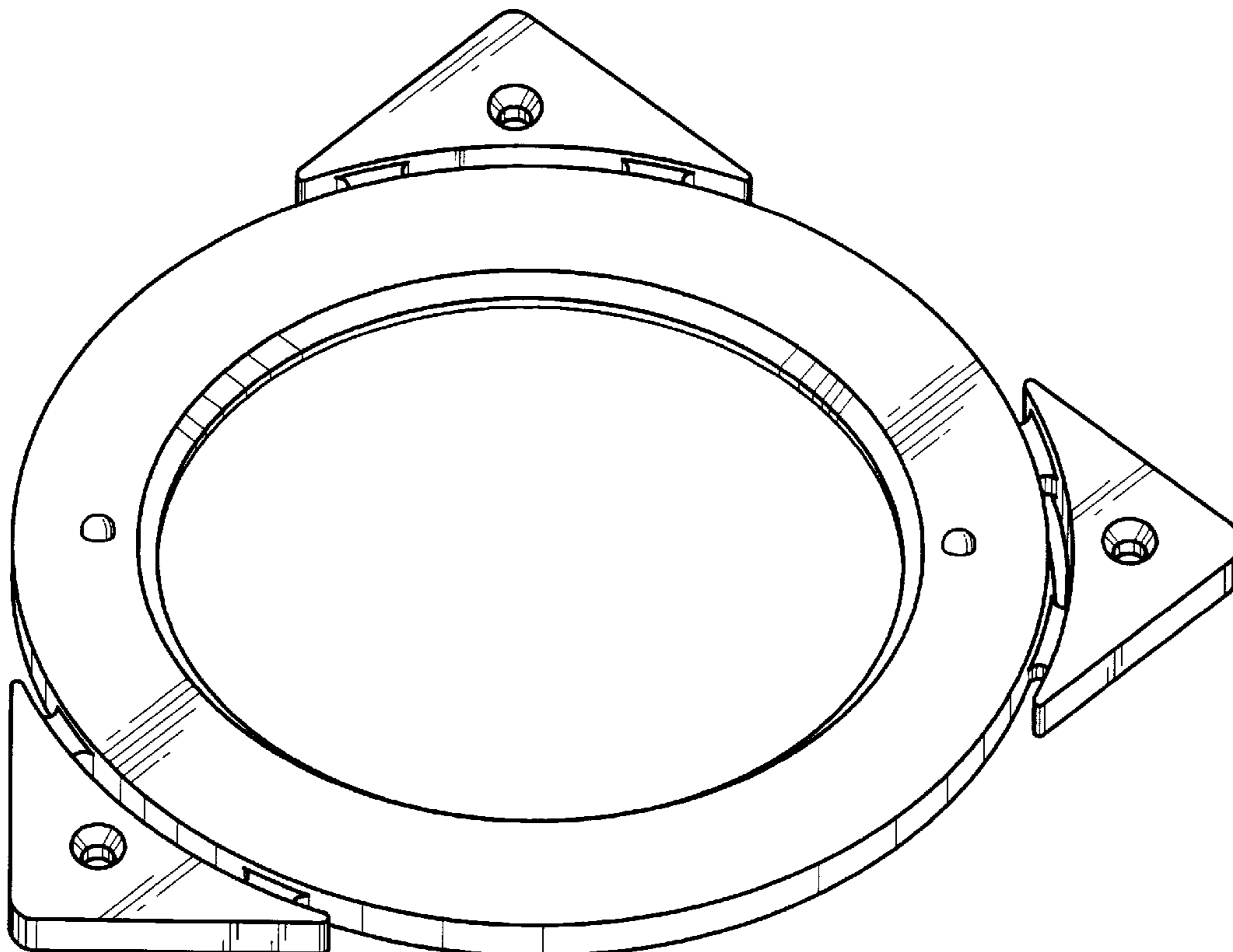
(57) **CLAIM**

The ornamental design for a spacer and shim assembly for elevating the water closet ring of a toilet bowl, as shown and described.

**DESCRIPTION**

FIG. 1 is a top side perspective view of the spacer and shim assembly for elevating the water closet ring of a toilet bowl showing our new design;  
FIG. 2 is a bottom side perspective view of FIG. 1;  
FIG. 3 is a top side view of FIG. 1;  
FIG. 4 is a bottom side view of FIG. 1;  
FIG. 5 is a left side view of FIG. 1;  
FIG. 6 is a right side view of FIG. 1;  
FIG. 7 is a front view of FIG. 1; and,  
FIG. 8 is a rear view of FIG. 1.

**1 Claim, 5 Drawing Sheets**



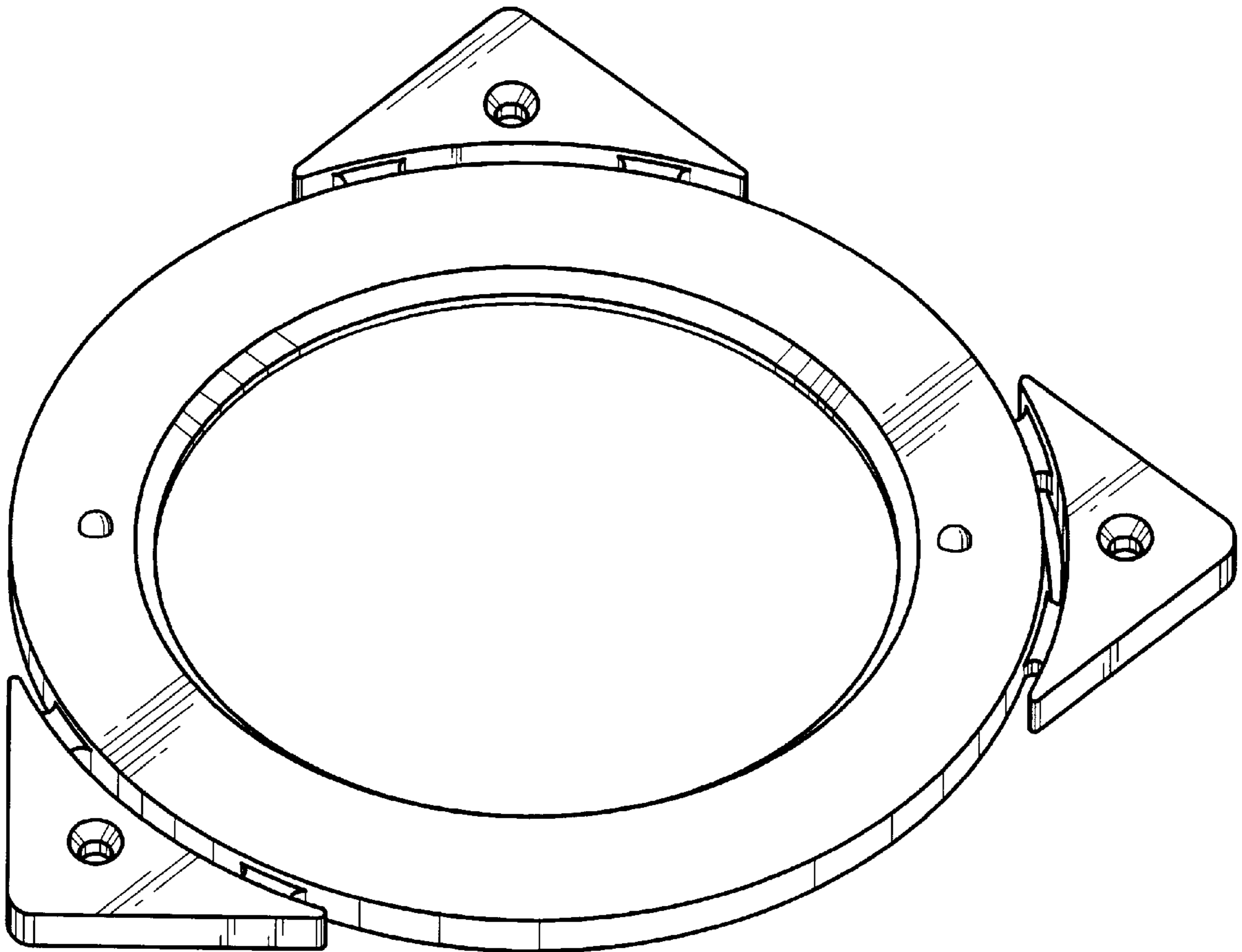


FIG. 1

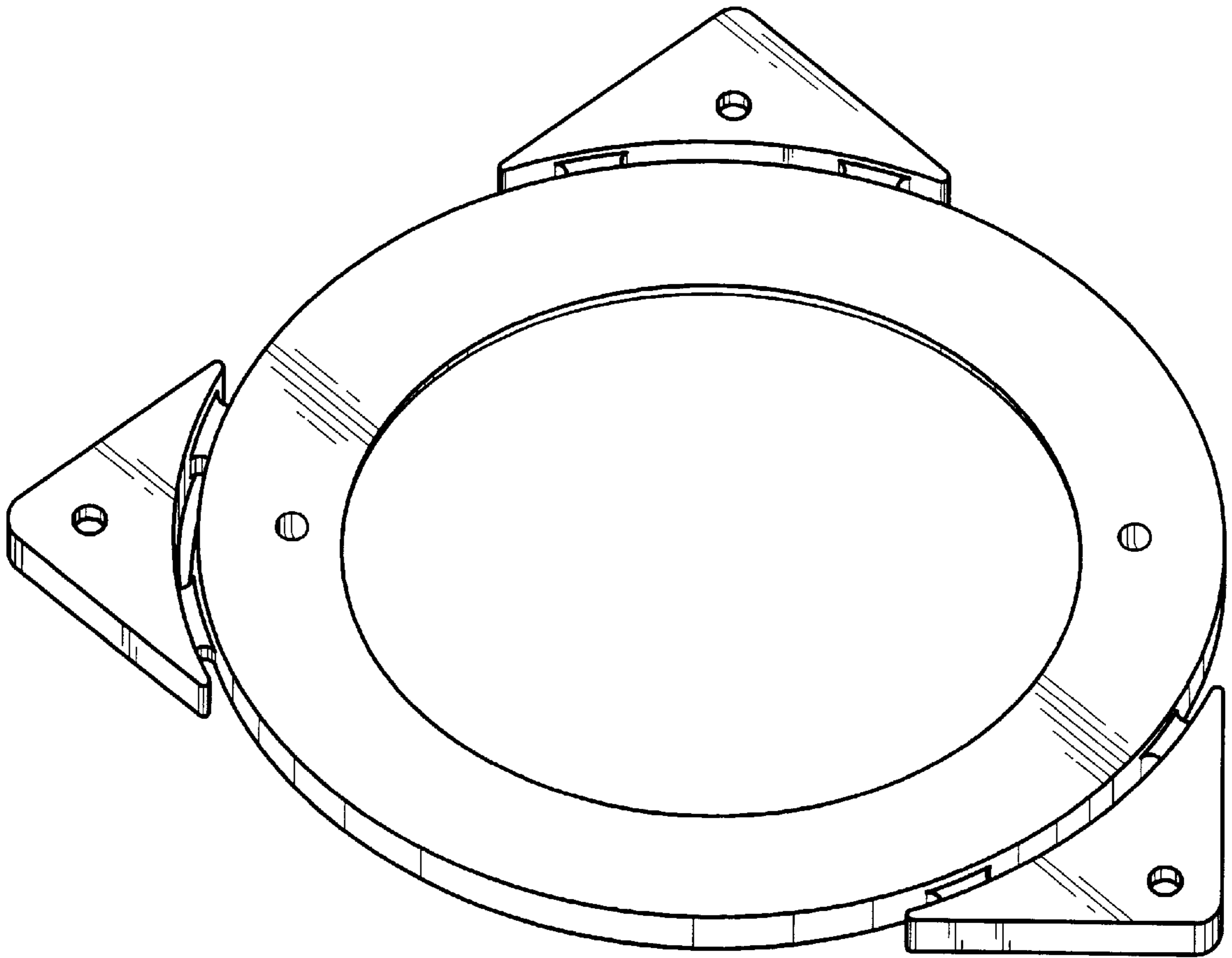


FIG. 2

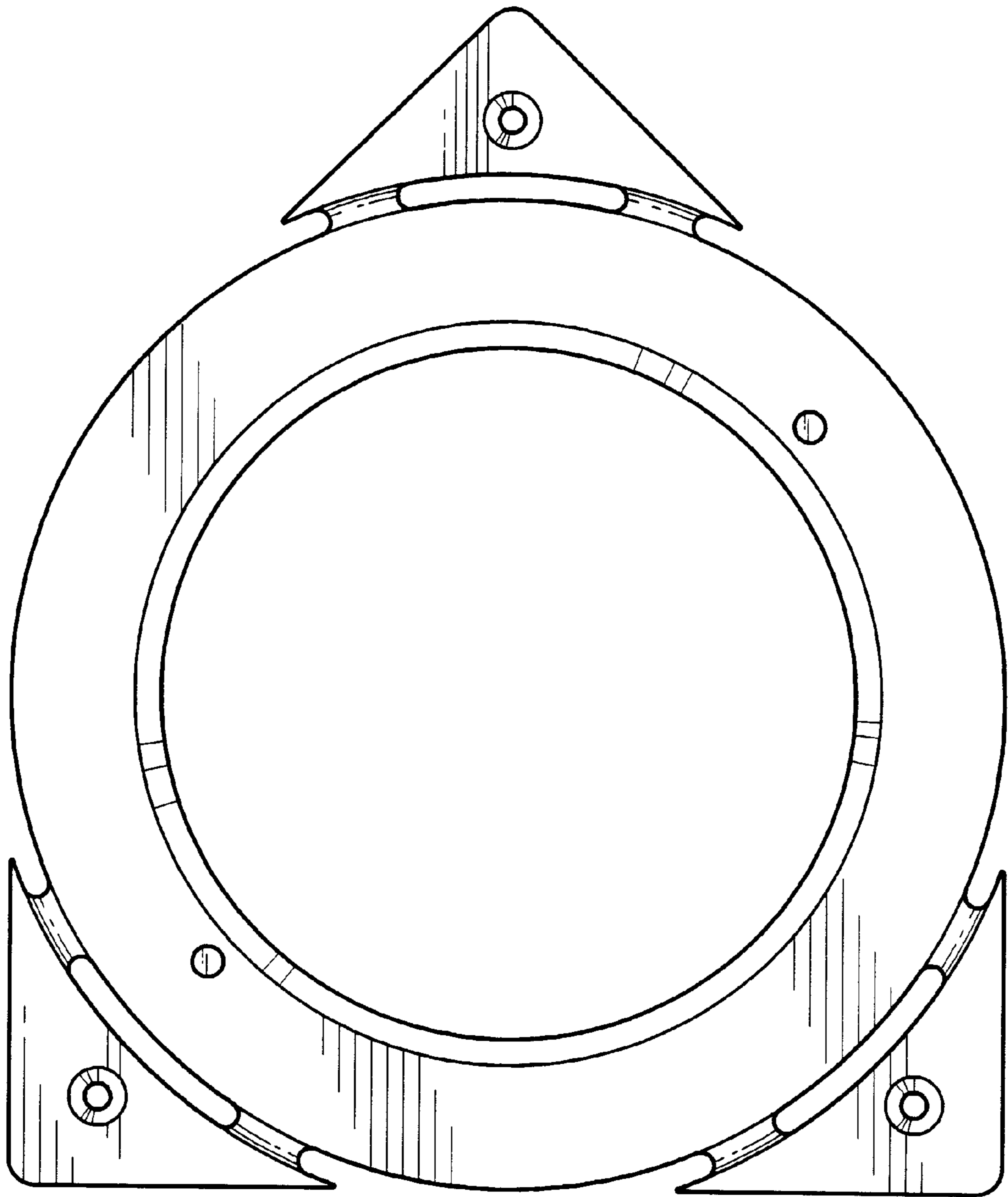


FIG. 3

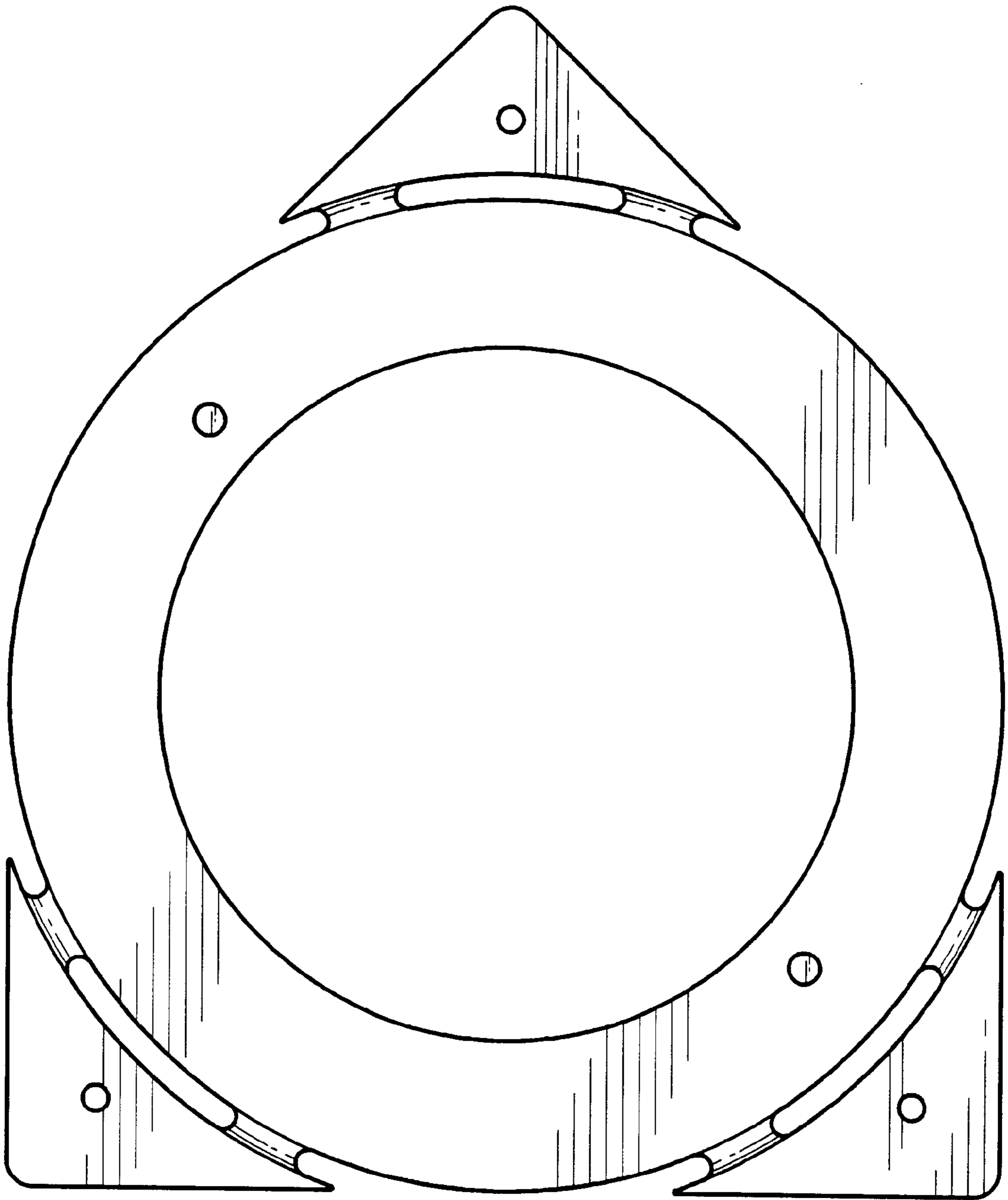


FIG. 4

FIG. 5



FIG. 6

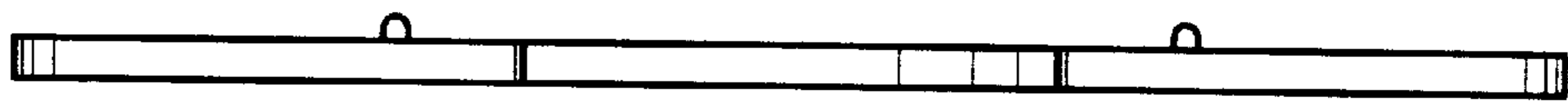


FIG. 7



FIG. 8