



US00D474264S

(12) **United States Design Patent**
Warshawsky et al.

(10) **Patent No.:** **US D474,264 S**

(45) **Date of Patent:** **** May 6, 2003**

(54) **FAUCET BODY**

D387,130 S * 12/1997 Warshawsky D23/238
D433,102 S * 10/2000 Spangler D23/249

(75) Inventors: **Jerome Warshawsky**, Hewlett Harbor, NY (US); **Ari Warshawsky**, New York, NY (US); **Scott Frey**, Bayshore, NY (US)

* cited by examiner

Primary Examiner—Louis S. Zarfes
Assistant Examiner—Gregory Andoll
(74) *Attorney, Agent, or Firm*—Alfred M. Walker

(73) Assignee: **I.W. Industries, Inc.**, Melville, NY (US)

(57) **CLAIM**

(**) Term: **14 Years**

The ornamental design for a faucet body, as shown and described.

(21) Appl. No.: **29/166,235**

DESCRIPTION

(22) Filed: **Aug. 26, 2002**

FIG. 1 is a perspective view of a faucet body showing our new design;
FIG. 2 is a front elevation view thereof;
FIG. 3 is a rear elevational view thereof;
FIG. 4 is a top plan view thereof;
FIG. 5 is a bottom view thereof; and,
FIG. 6 is a right side elevational view thereof, the left side being a mirror image thereof.

(51) **LOC (7) Cl.** **23-01**

(52) **U.S. Cl.** **D23/249**

(58) **Field of Search** D23/238-143,
D23/245, 250-257; D8/300-322, 350-353,
DIG. 3; 16/110.1; 4/675-678; 137/801

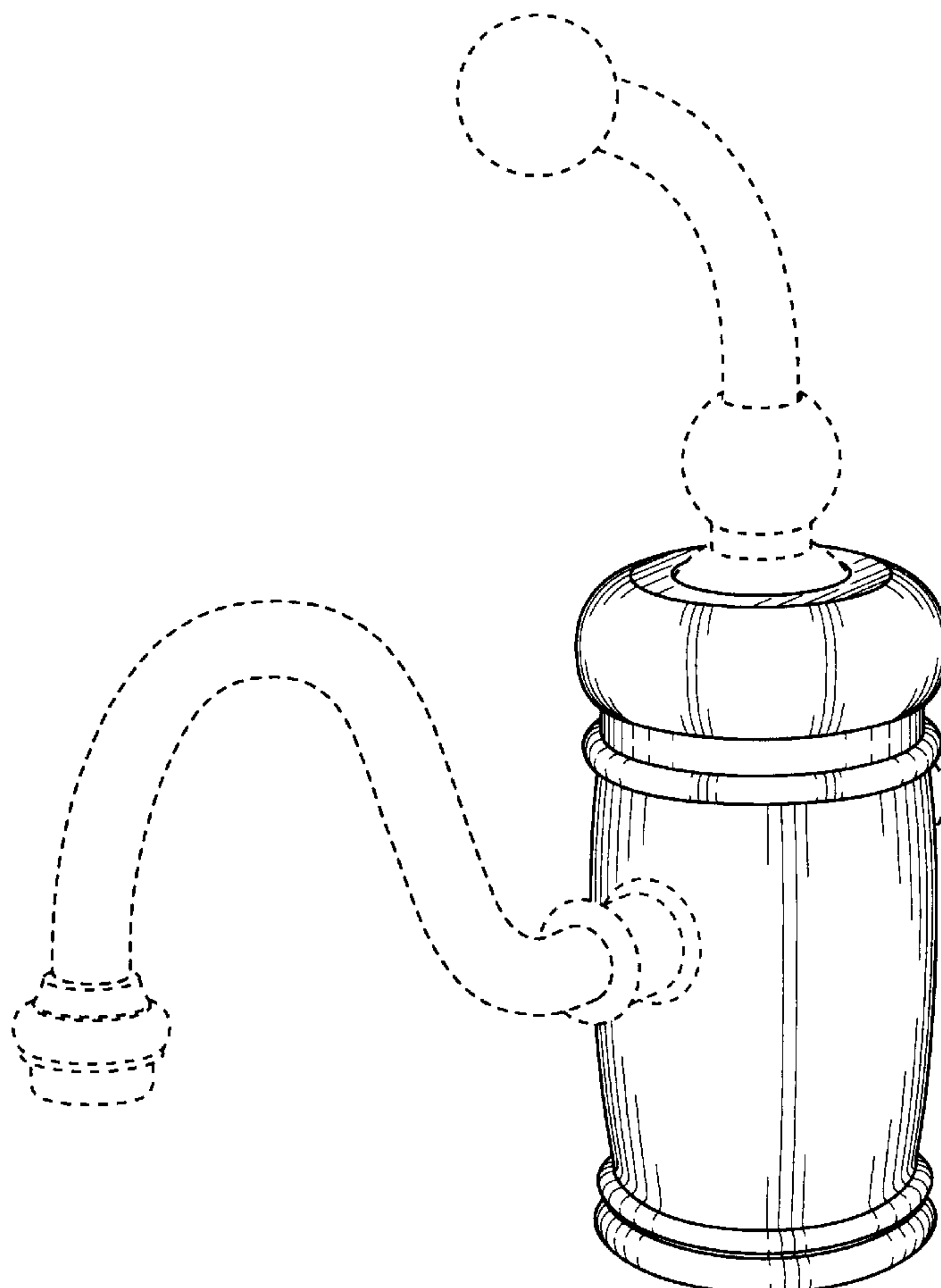
The broken lines in the Figures are for illustrative purposes only and form no part of the claimed design.

(56) **References Cited**

U.S. PATENT DOCUMENTS

D349,326 S * 8/1994 Bollenbacher D23/238
D380,809 S * 7/1997 Warshawsky D23/238

1 Claim, 4 Drawing Sheets



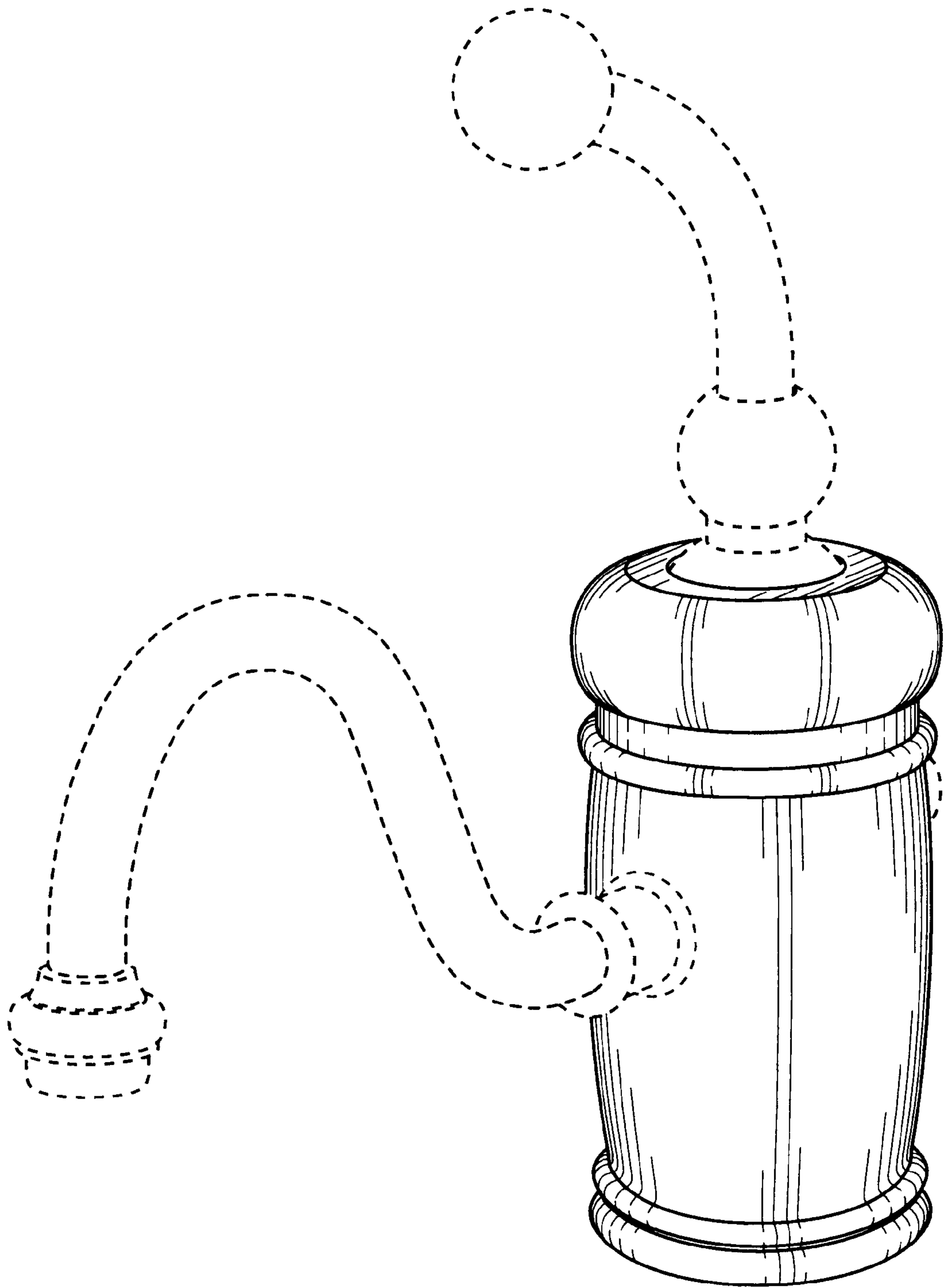


FIG. 1

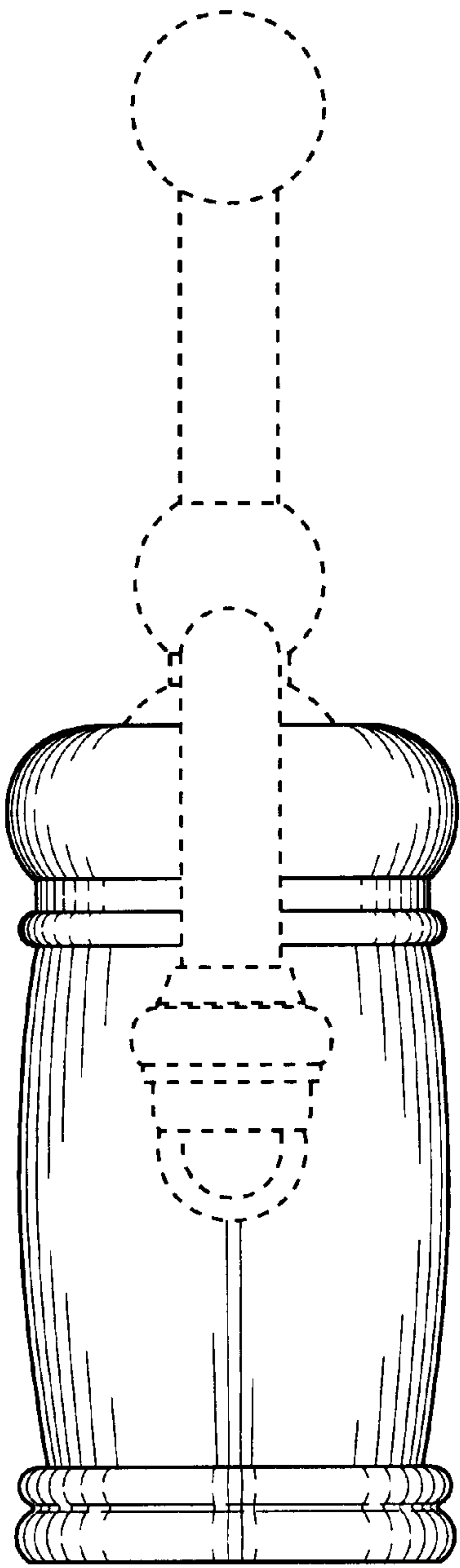


FIG. 2

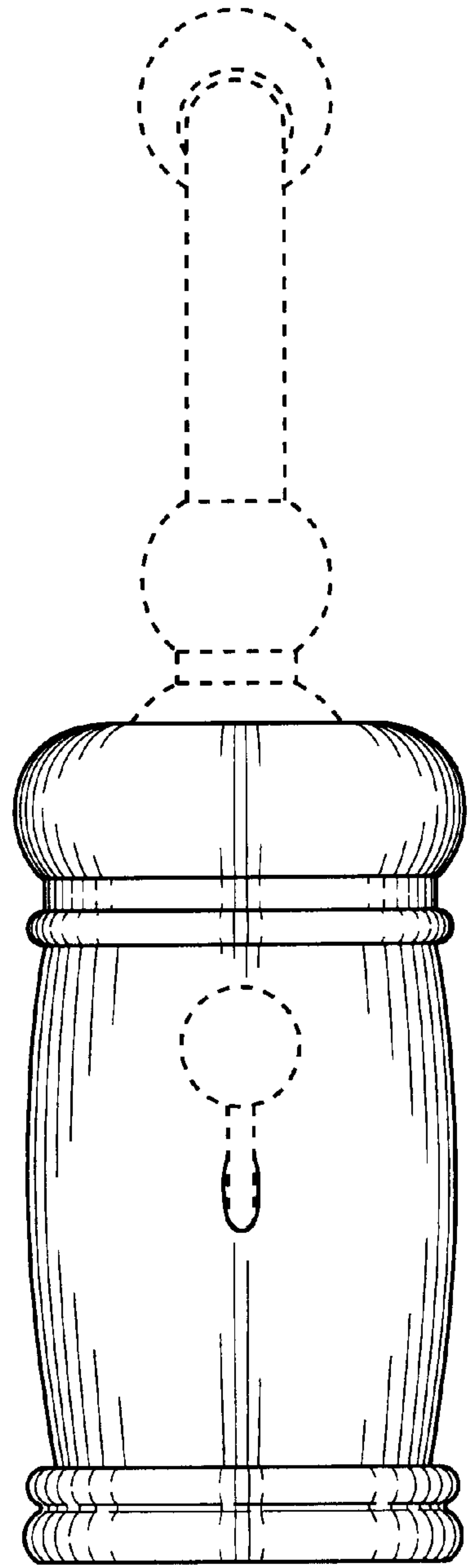


FIG. 3

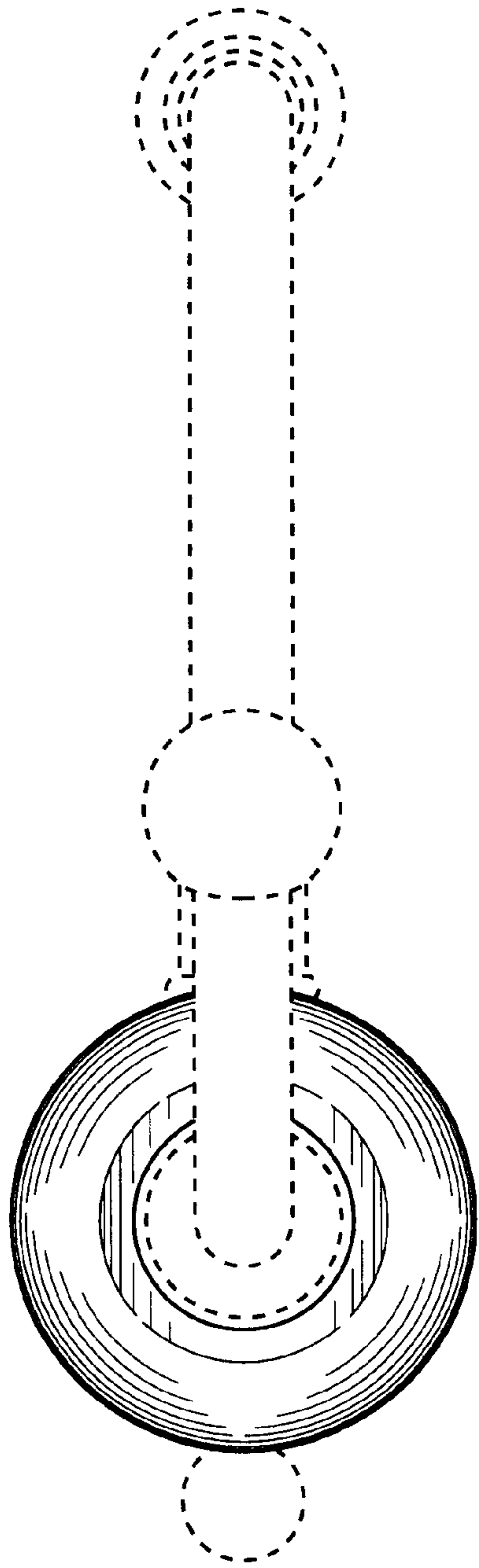


FIG. 4

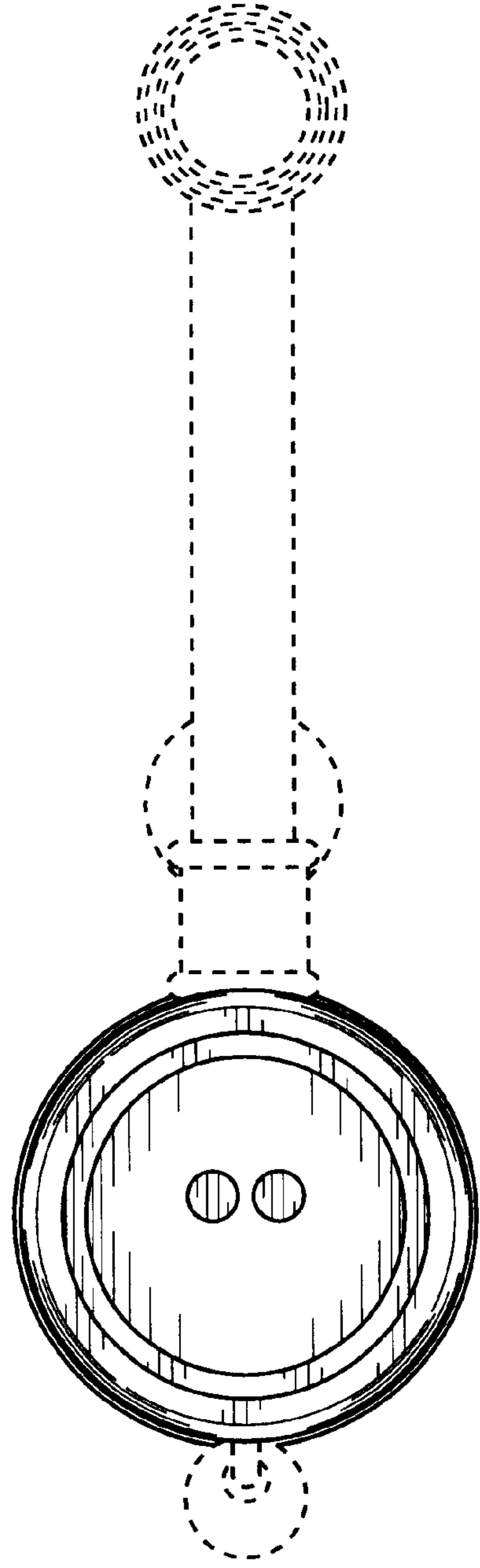


FIG. 5

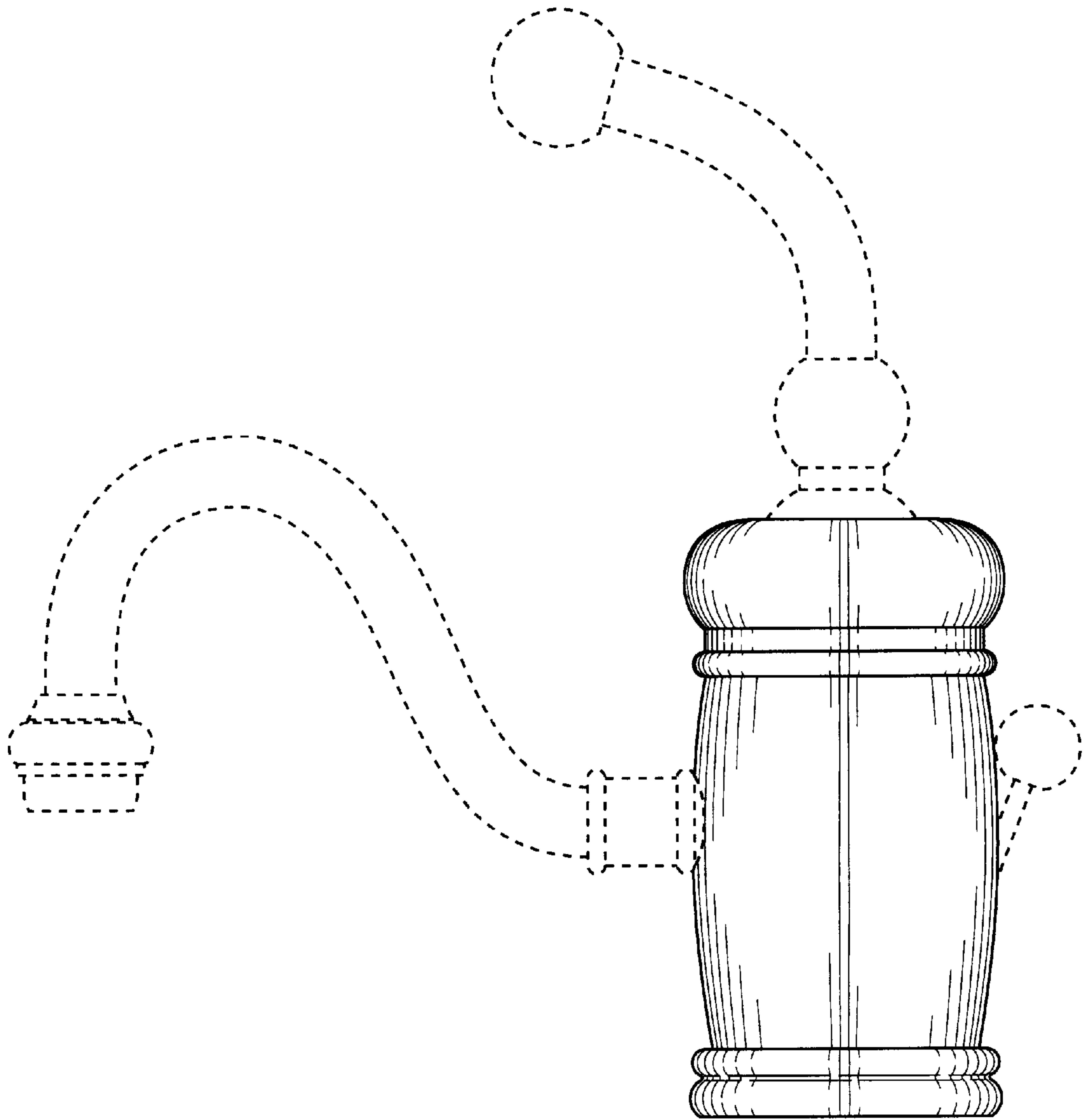


FIG. 6