



US00D474262S

(12) **United States Design Patent**
Pelletz

(10) **Patent No.:** **US D474,262 S**

(45) **Date of Patent:** **** May 6, 2003**

(54) **QUICK OPENING COCK**

(76) Inventor: **Leslie G. Pelletz**, 19 Depot St., Suite 6
B, Uxbridge, MA (US) 01569

(**) Term: **14 Years**

(21) Appl. No.: **29/161,155**

(22) Filed: **May 20, 2002**

Related U.S. Application Data

(63) Continuation of application No. 09/732,314, filed on Dec. 7,
2000.

(51) **LOC (7) Cl.** **23-01**

(52) **U.S. Cl.** **D23/245**

(58) **Field of Search** D23/233-234,
D23/238, 245, 247-248; 251/288, 315;
137/359-360, 270-271, 801

(56) **References Cited**

U.S. PATENT DOCUMENTS

D29,734 S	*	11/1898	Glauber	D23/238
D31,363 S	*	8/1899	Glauber	D23/238
955,979 A	*	4/1910	Murphy	251/288
D46,024 S	*	6/1914	Hoffman	D23/238

D117,892 S	*	12/1939	Bienimann	D23/238
2,253,831 A	*	8/1941	Wantz	251/288
3,184,212 A	*	5/1965	Billeter	251/288 X
D318,319 S	*	7/1991	Rokita	D23/238
5,072,913 A	*	12/1991	Carroll et al.	251/99
5,577,530 A	*	11/1996	Condon	137/360
6,431,520 B1	*	8/2002	Ferrer Beltran	251/288

* cited by examiner

Primary Examiner—Nelson C. Holtje
(74) *Attorney, Agent, or Firm*—Norton R. Townsley;
Belasco Jacobs & Townsley, LLP

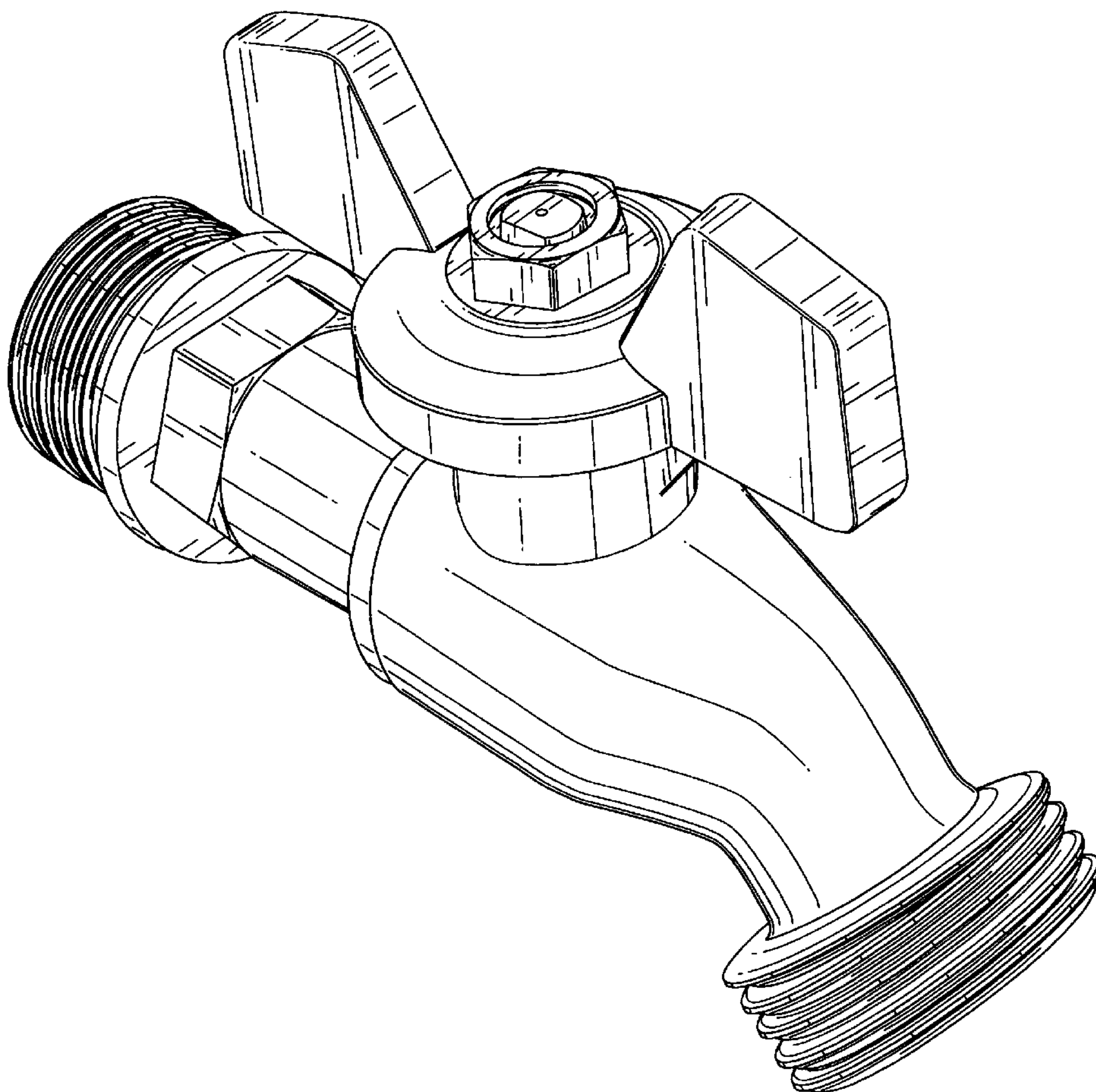
(57) **CLAIM**

I claim the ornamental design for a quick opening cock, as shown and described.

DESCRIPTION

FIG. 1 is a front perspective view of the quick opening cock showing my new design.
FIG. 2 is a front view;
FIG. 3 is rear view;
FIG. 4 is a side view from one side;
FIG. 5 is a side view from the other side;
FIG. 6 is a top view; and,
FIG. 7 is bottom view.

1 Claim, 7 Drawing Sheets



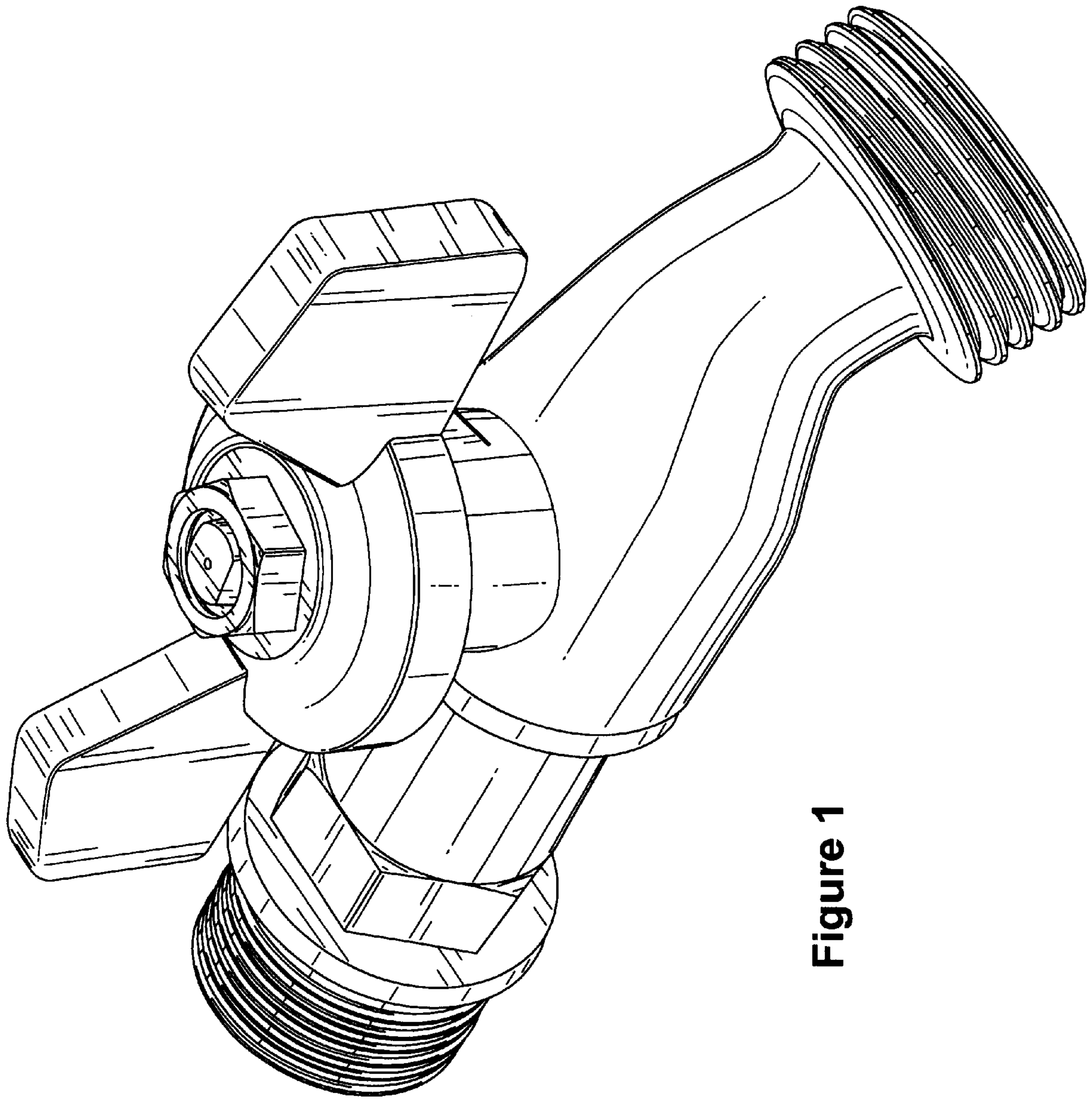


Figure 1

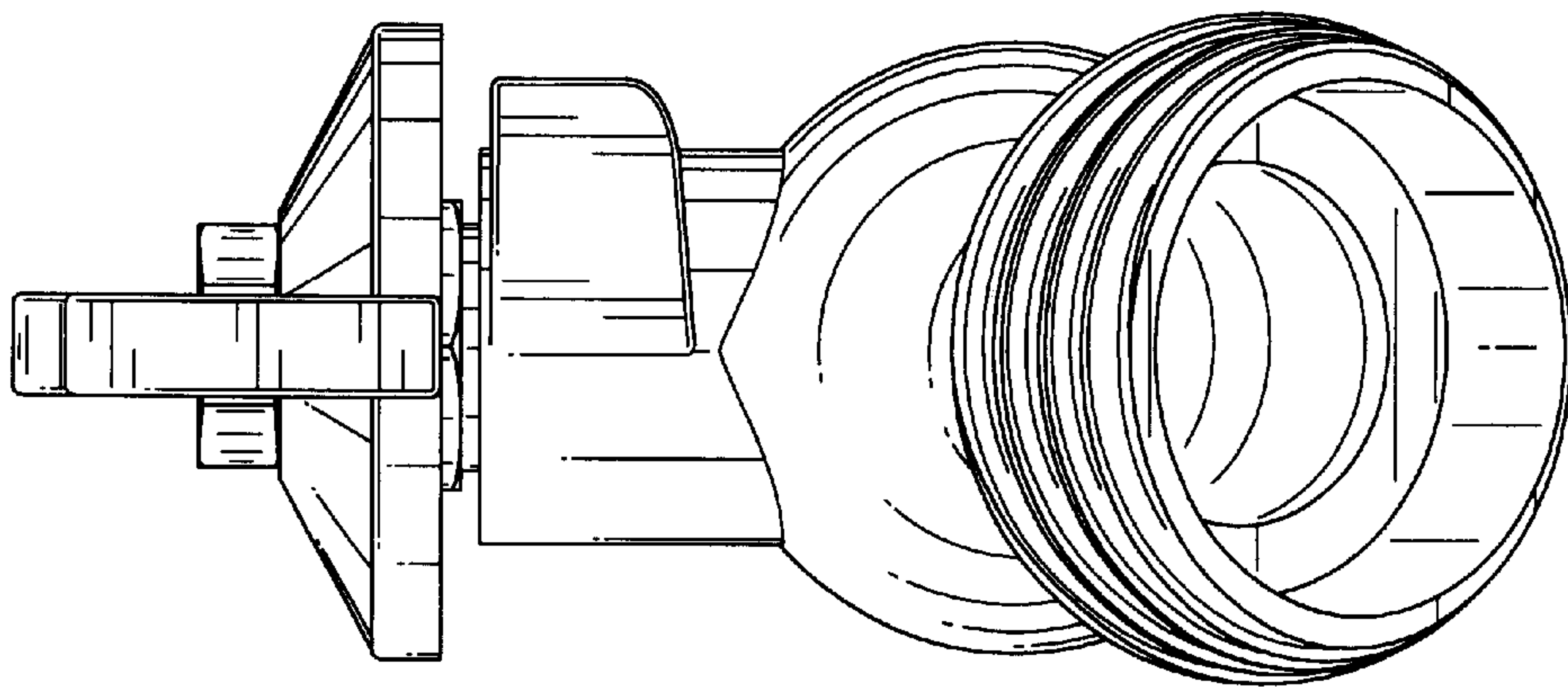


Figure 2

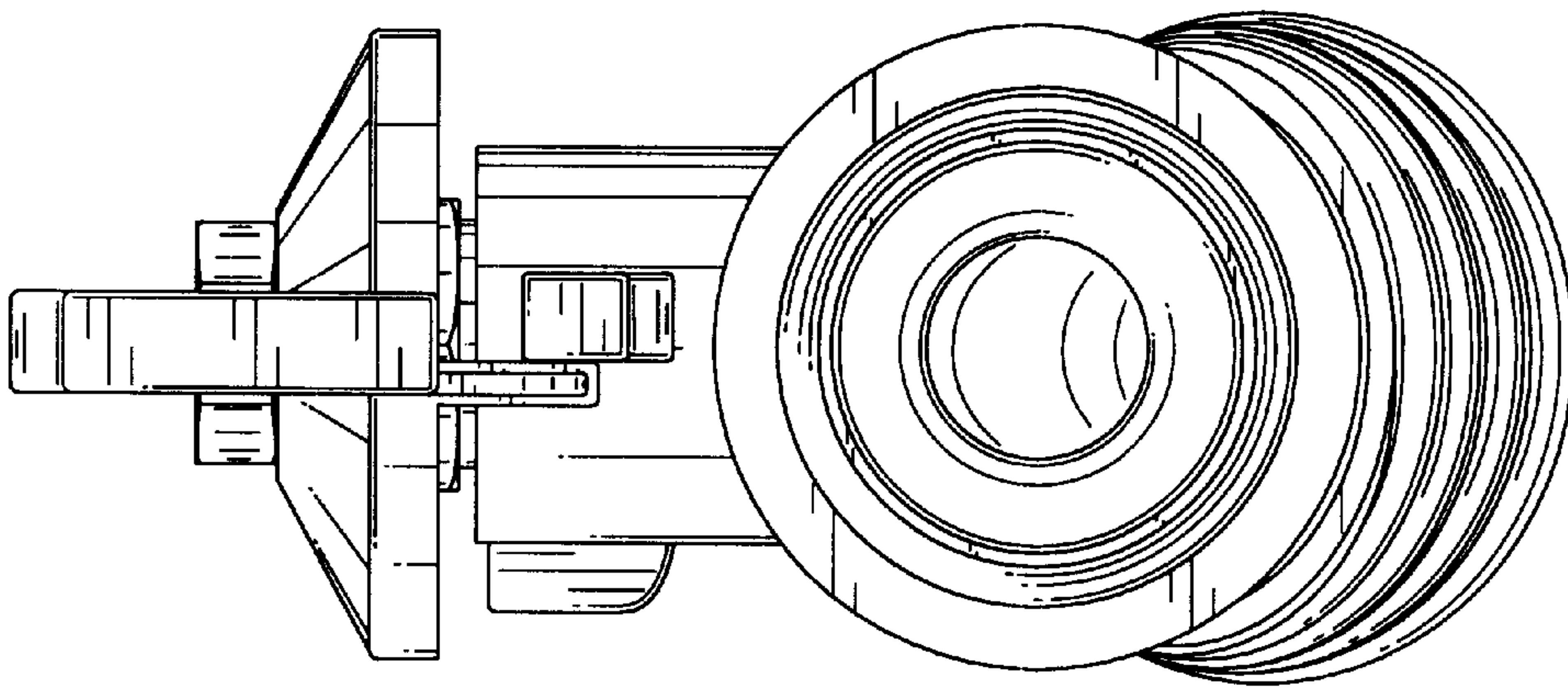


Figure 3

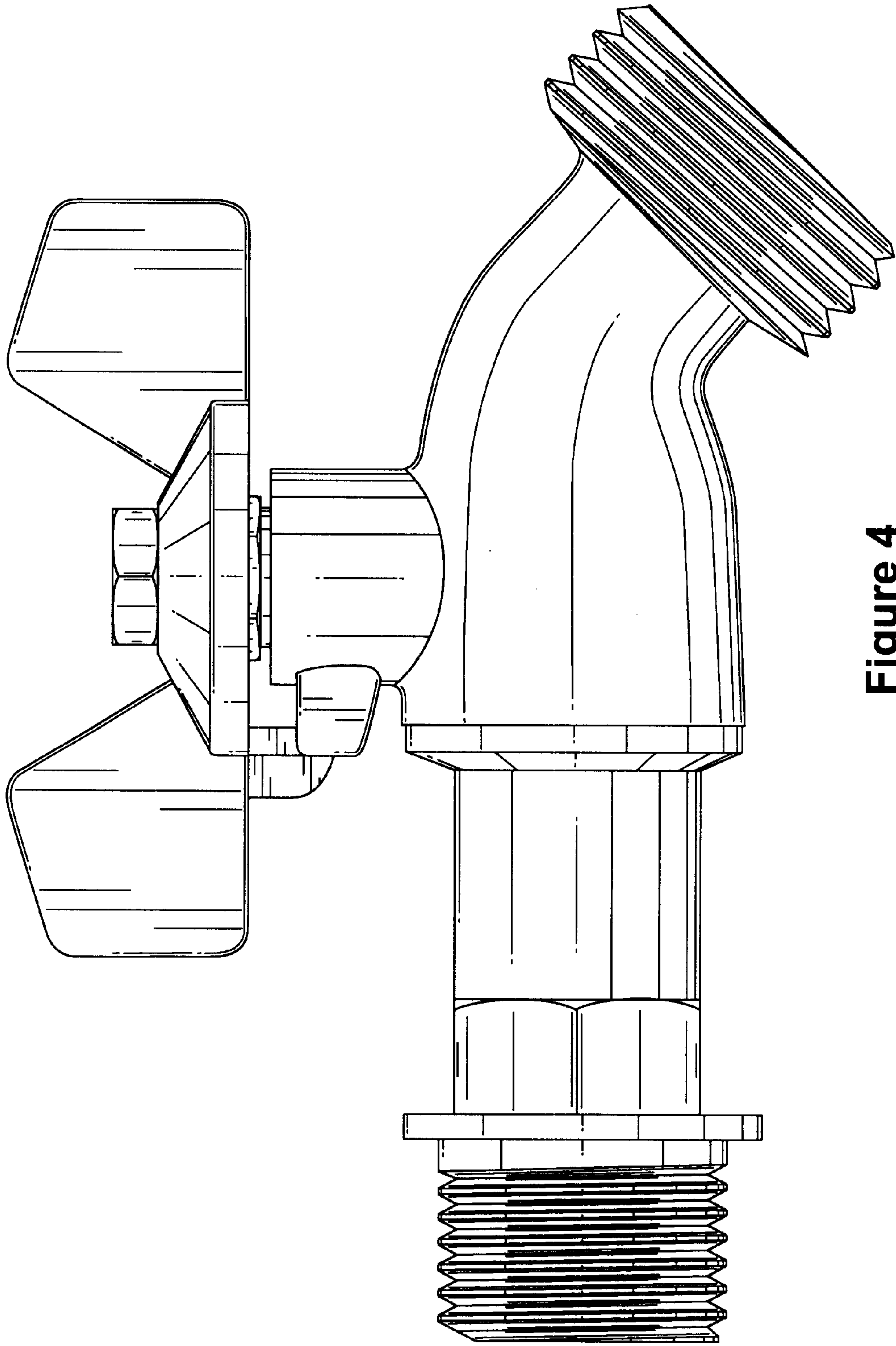


Figure 4

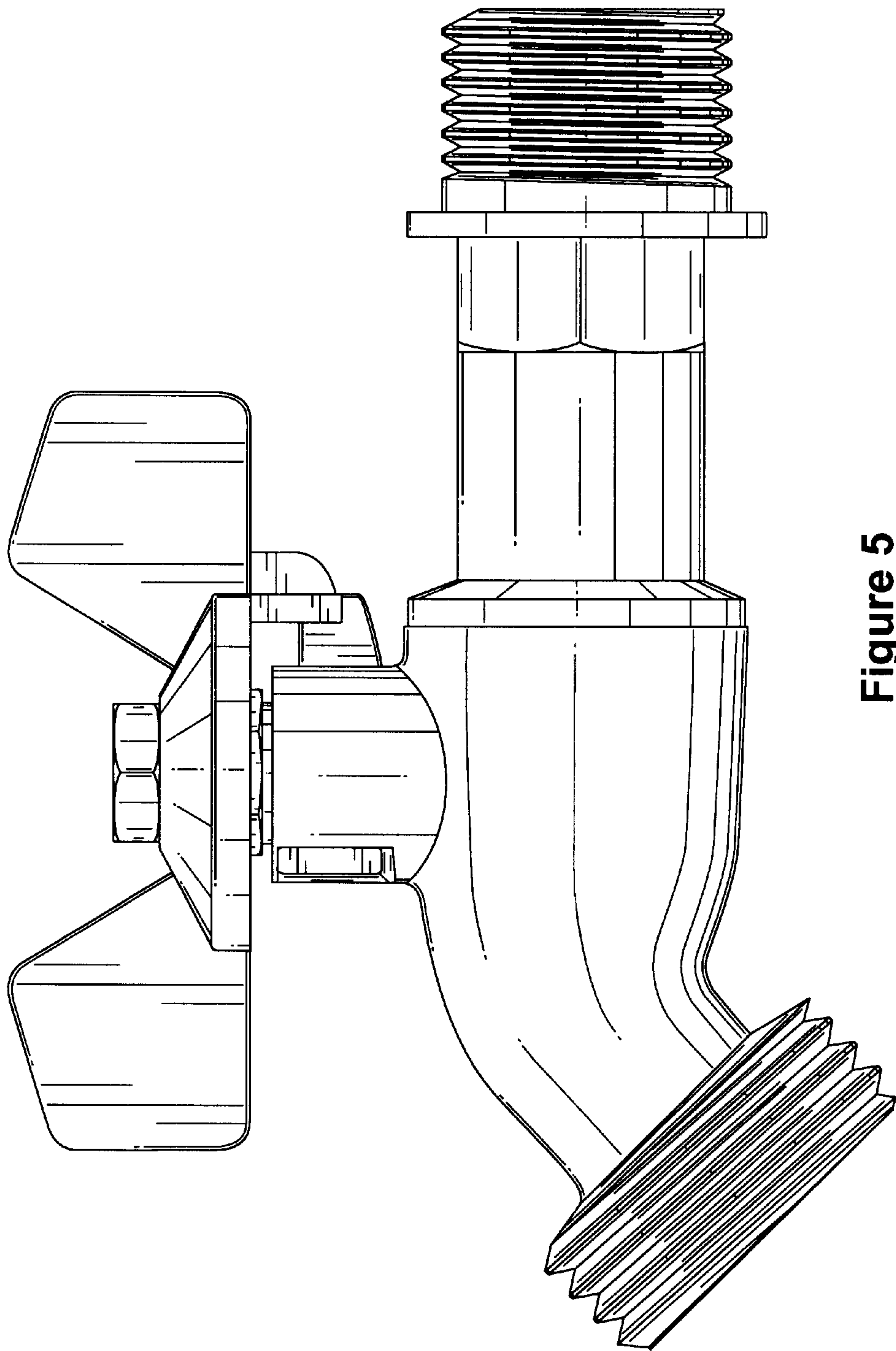


Figure 5

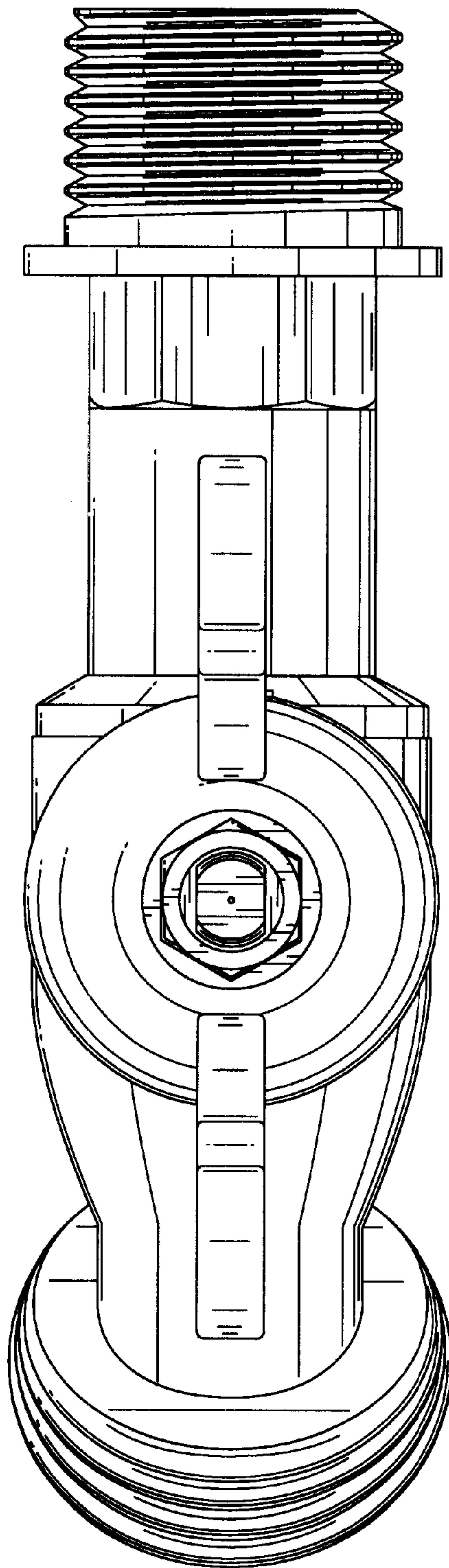


Figure 6

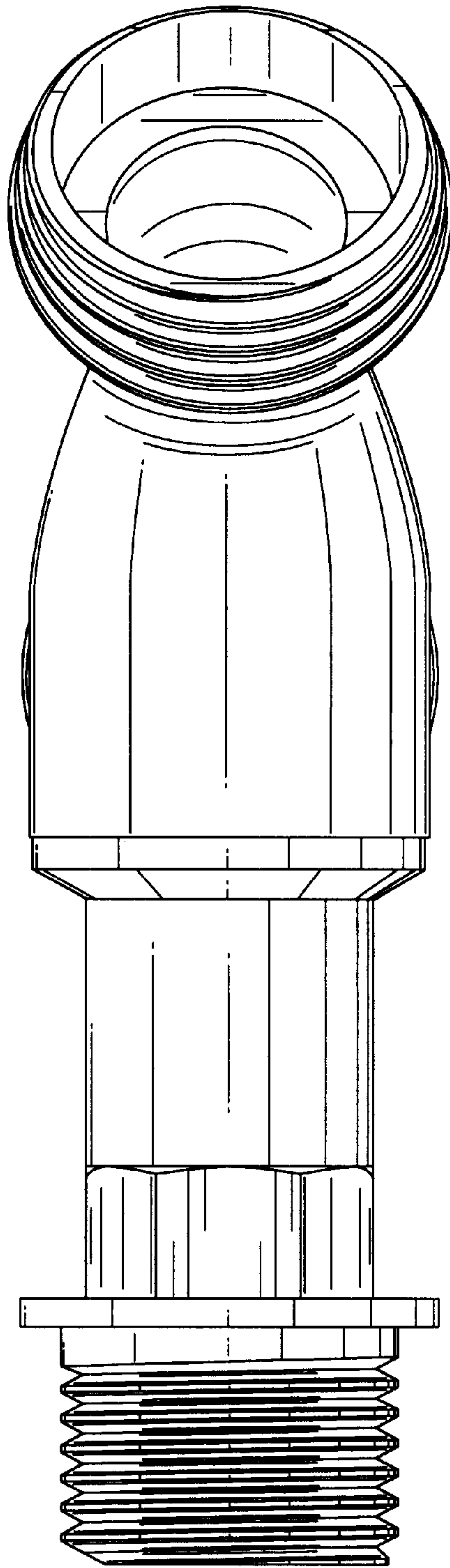


Figure 7