



US00D474261S

(12) **United States Design Patent**  
**Schönherr et al.**

(10) **Patent No.:** **US D474,261 S**

(45) **Date of Patent:** **\*\* May 6, 2003**

(54) **SANITARY FAUCET**

D410,735 S \* 6/1999 Gottwald ..... D23/238

(75) Inventors: **Thomas Schönherr**, Stuttgart (DE);  
**Tim Storti**, Schwieberdingen (DE);  
**Andreas Haug**, Stuttgart (DE)

(73) Assignee: **Hansgrohe AG**, Schiltach (DE)

(\*\*) Term: **14 Years**

(21) Appl. No.: **29/158,429**

(22) Filed: **Apr. 4, 2002**

(65) **Prior Publication Data**

- (65)
- (51) **LOC (7) Cl.** ..... **23-01**
- (52) **U.S. Cl.** ..... **D23/238**
- (58) **Field of Search** ..... D23/238-243,  
D23/250-257; 4/675-678; 137/801

(56) **References Cited**

**U.S. PATENT DOCUMENTS**

- D329,912 S \* 9/1992 Grohe ..... D23/252
- D351,017 S \* 9/1994 Gottwald ..... D23/238
- D383,831 S \* 9/1997 Esche et al. .... D23/252
- D399,302 S \* 10/1998 Bertloi ..... D23/238

**OTHER PUBLICATIONS**

2000 Moen Price Catalog, pp. 40-41, 44-45 (1999).  
Catalog, BÄDER 2001, 6 pages (2000).  
Product Portfolio, Price Pfister, 6 pages (1999).

\* cited by examiner

*Primary Examiner*—Louis S. Zarfes

*Assistant Examiner*—Gregory Andoll

(74) *Attorney, Agent, or Firm*—Duane Morris, LLP

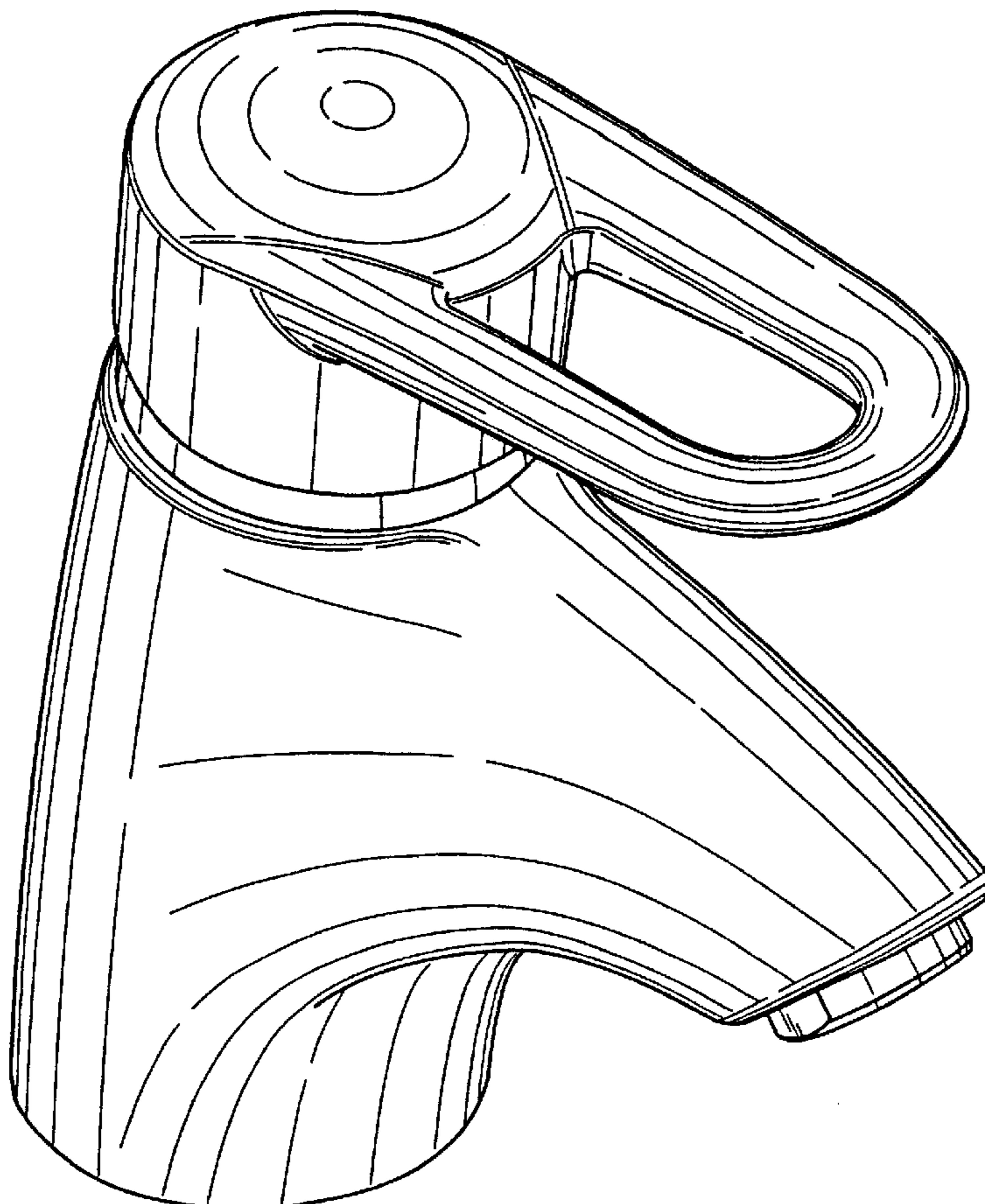
(57) **CLAIM**

The ornamental design for a sanitary faucet, as shown and described.

**DESCRIPTION**

FIG. 1 is a side perspective view of a sanitary faucet showing our new design;  
FIG. 2 is a top plan view thereof;  
FIG. 3 is a front elevation view thereof;  
FIG. 4 is a rear elevation view thereof;  
FIG. 5 is a side elevation view thereof, the opposite side being a mirror image of the side shown; and,  
FIG. 6 is a bottom plan view thereof.

**1 Claim, 3 Drawing Sheets**



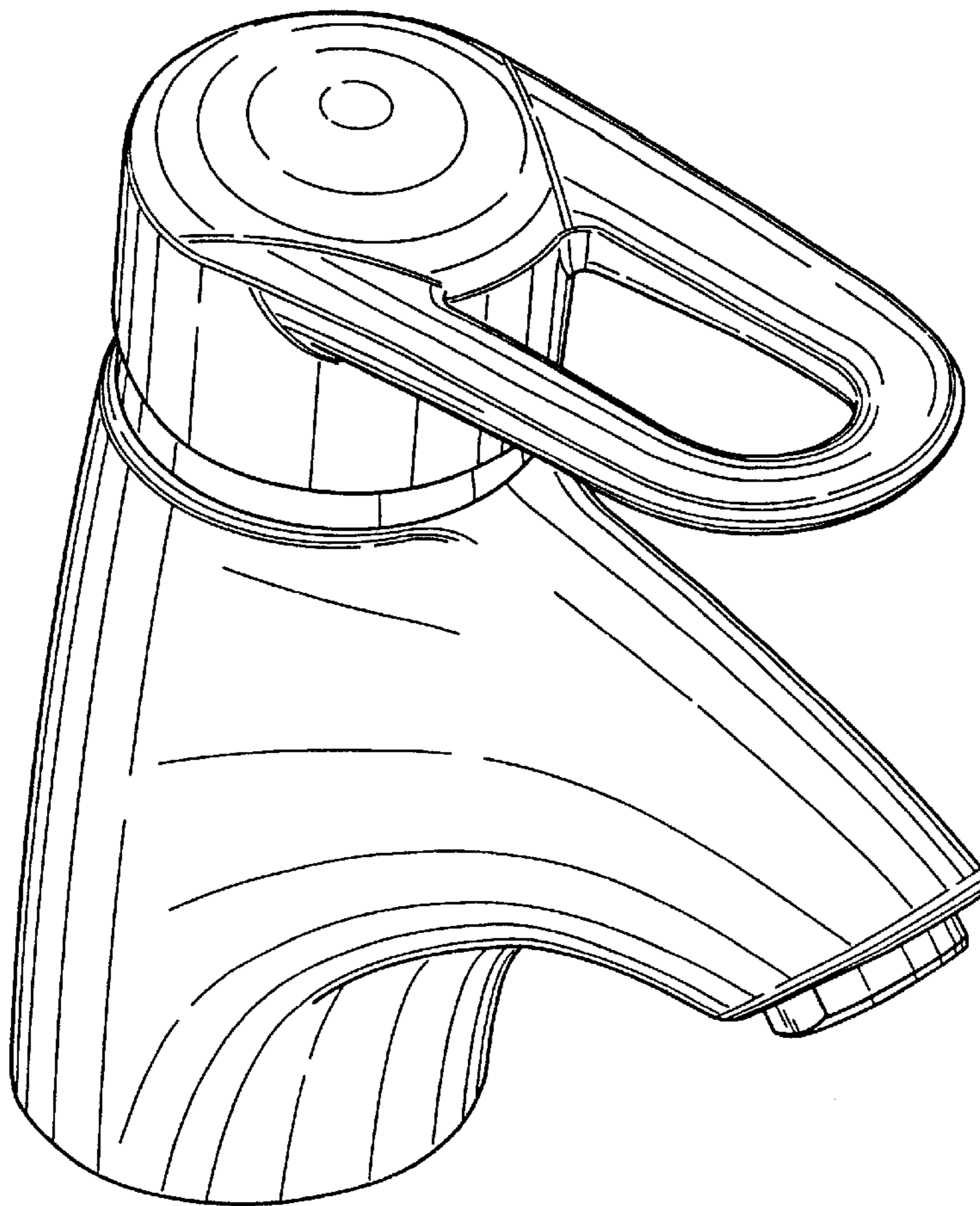
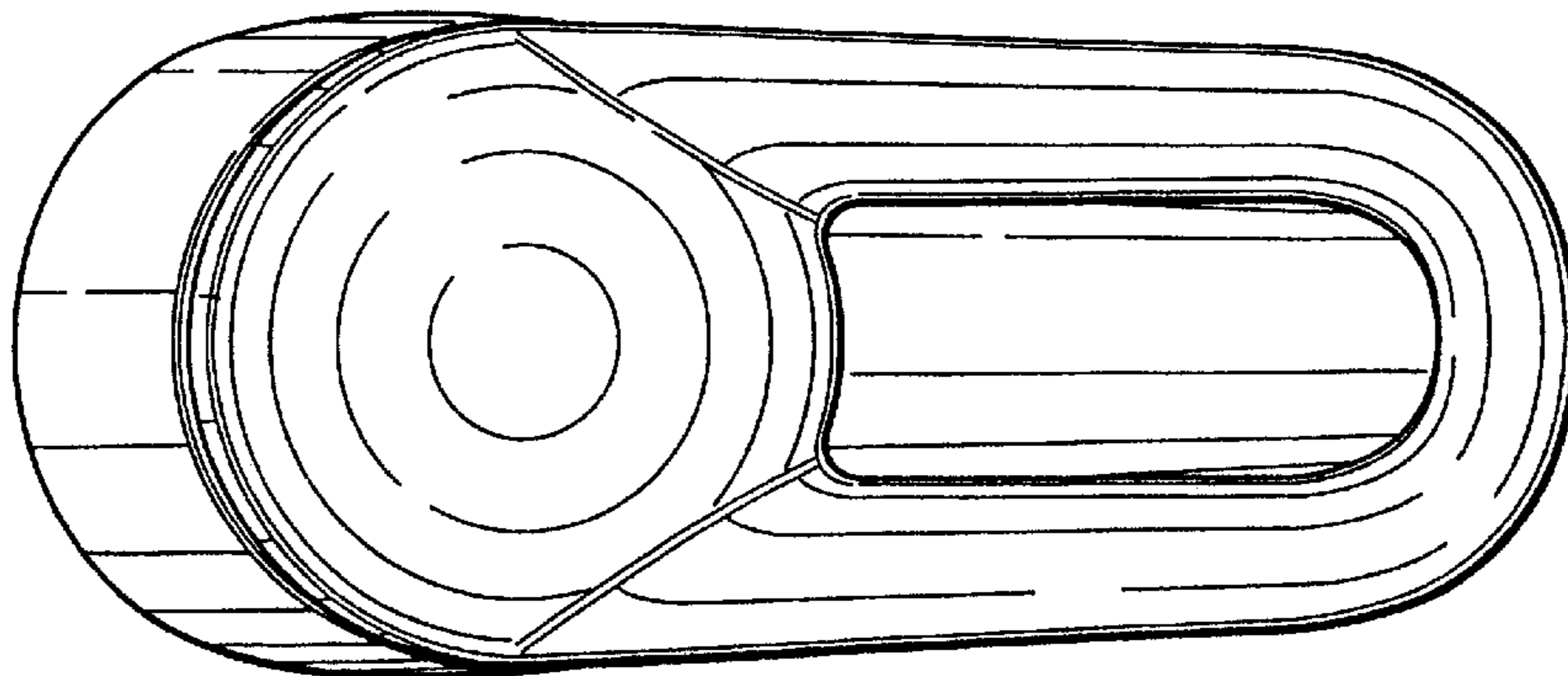
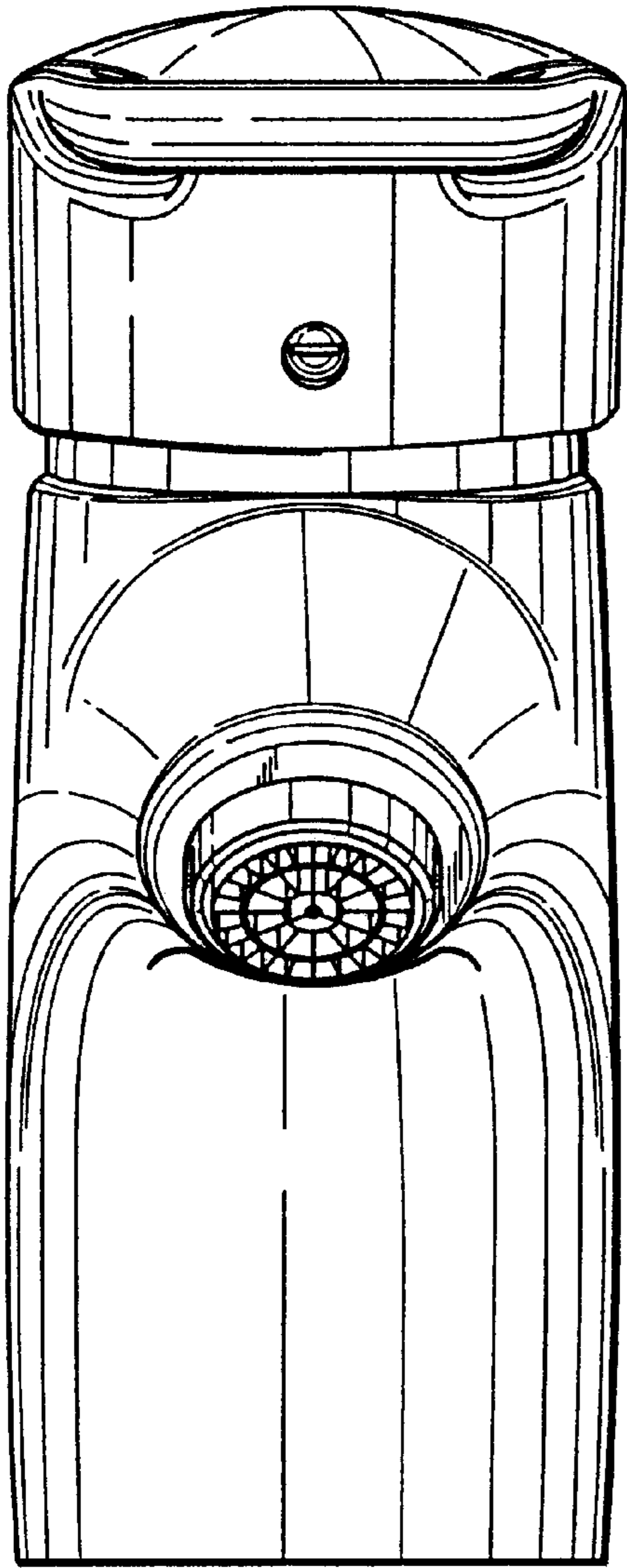


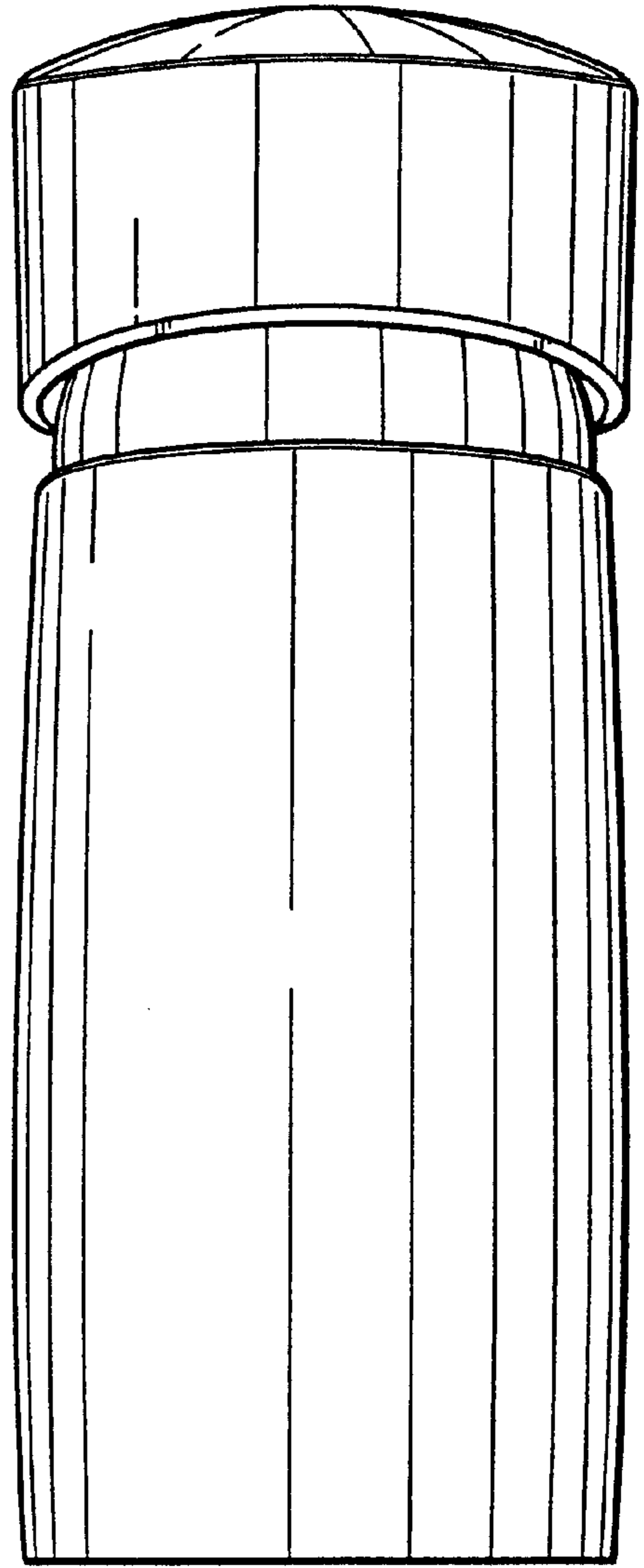
FIG.1

FIG.2





**FIG.3**



**FIG.4**

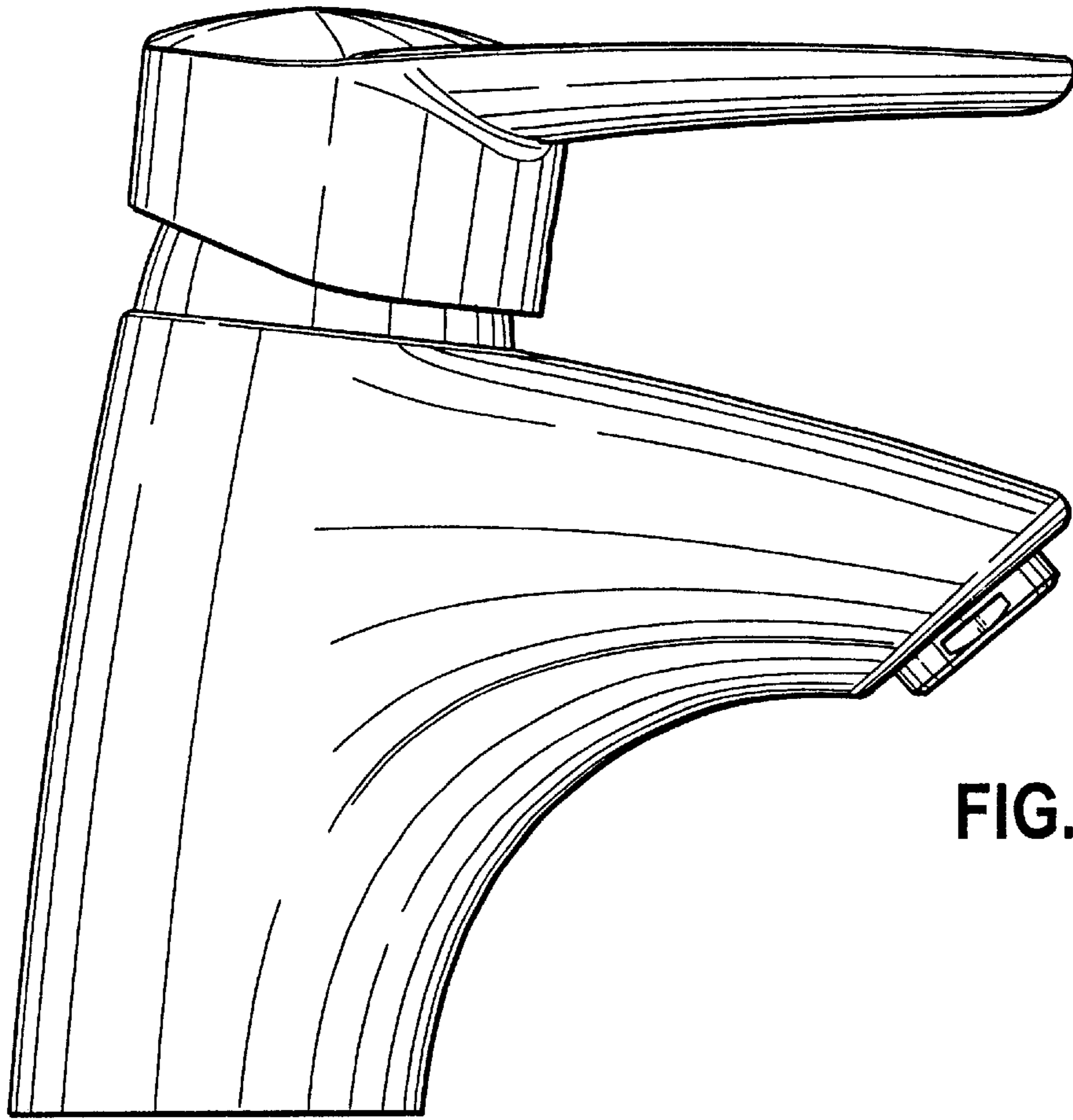


FIG. 5

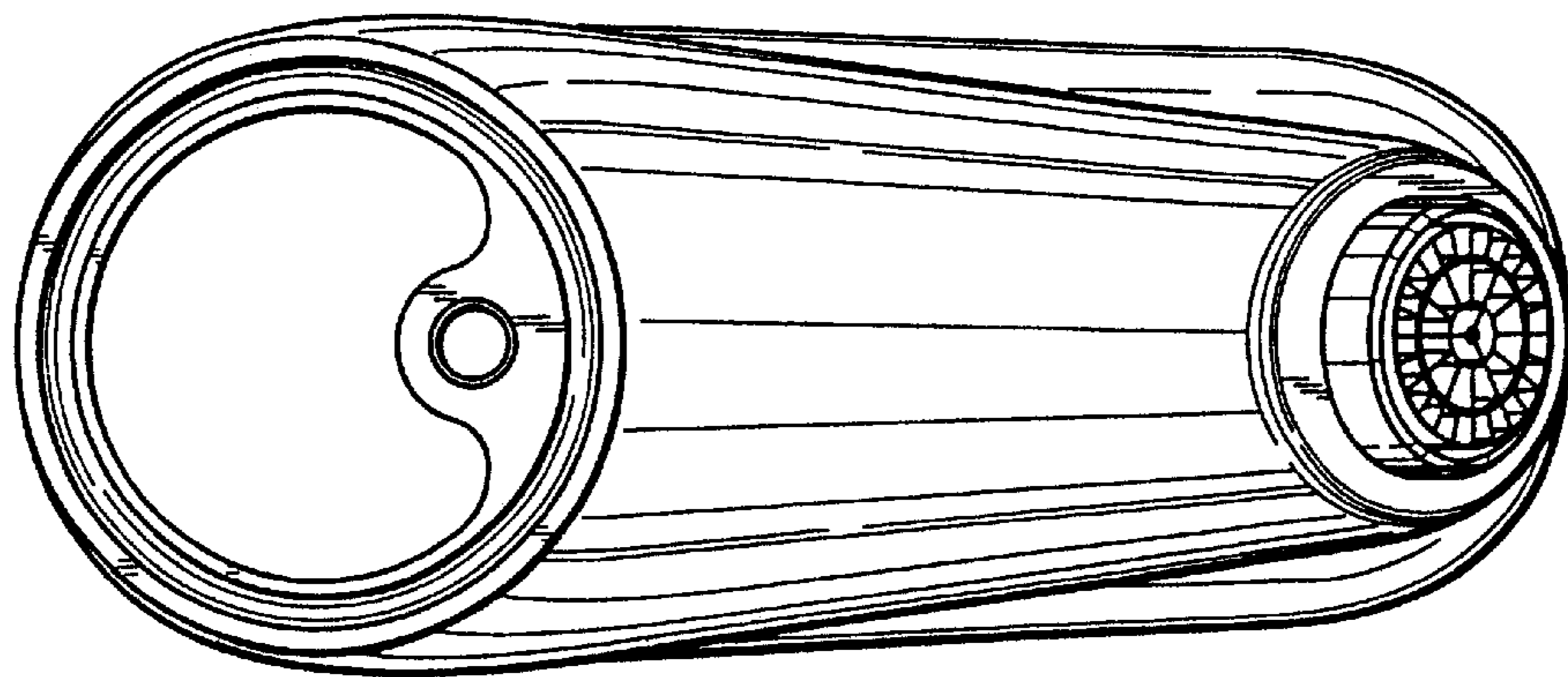


FIG. 6