



US00D474257S

(12) **United States Design Patent**
Huang

(10) **Patent No.:** **US D474,257 S**

(45) **Date of Patent:** **** May 6, 2003**

(54) **SPRAY GUN BODY**

D457,599 S * 5/2002 Karwoski et al. D23/226

(76) Inventor: **Tiao-Hsiang Huang**, No. 190, Chung Cheng Rd., Shin Chuang City, Taipei Hsien (TW)

* cited by examiner

Primary Examiner—Robin V. Taylor
(74) *Attorney, Agent, or Firm*—Rosenberg, Klein & Lee

(**) Term: **14 Years**

(57) **CLAIM**

(21) Appl. No.: **29/168,521**

The ornamental design for a spray gun body, as shown and described.

(22) Filed: **Oct. 4, 2002**

DESCRIPTION

(51) **LOC (7) Cl.** **23-01**

(52) **U.S. Cl.** **D23/223**

(58) **Field of Search** D23/213, 223,
D23/226; 239/525, 526, 527

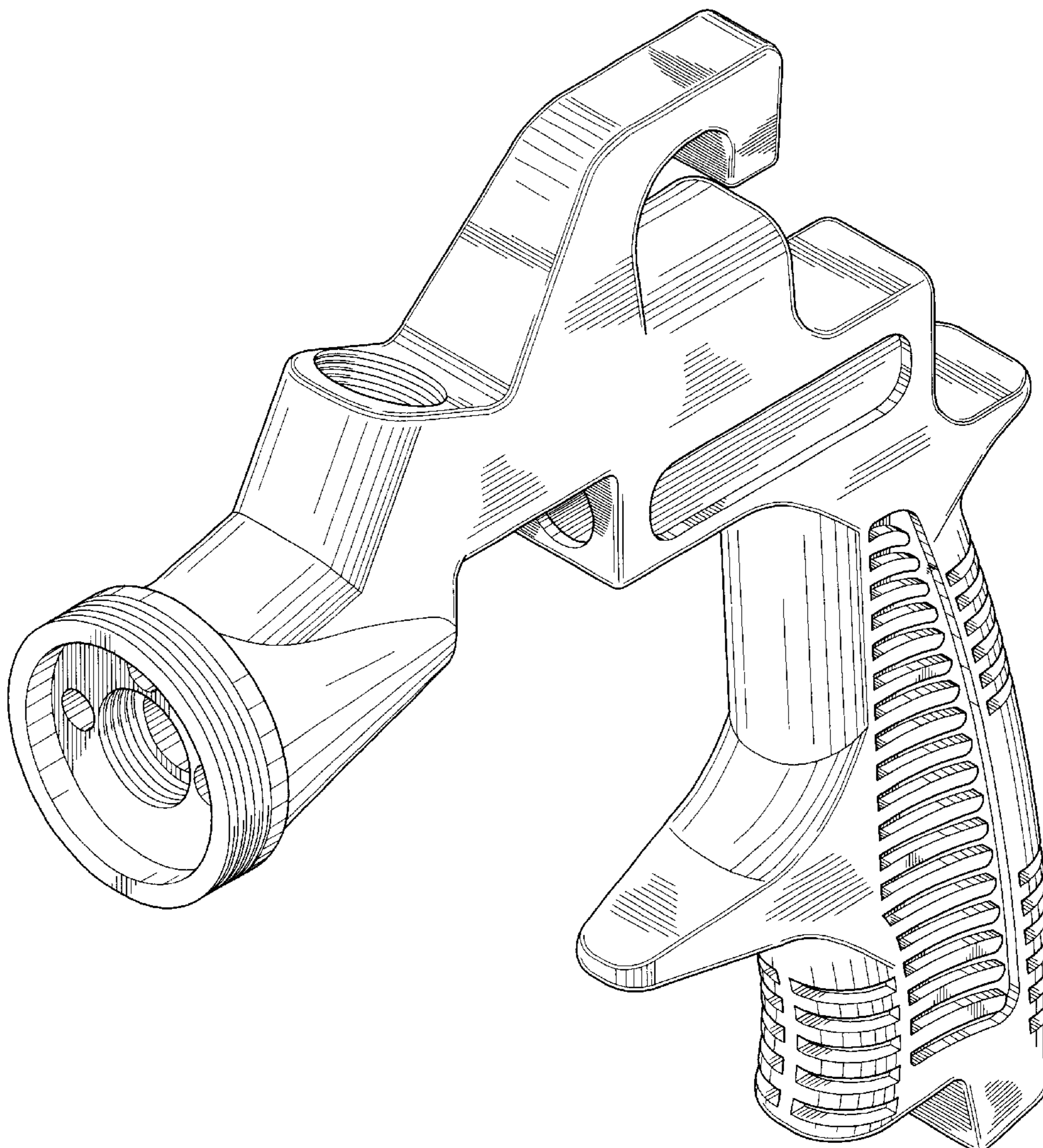
FIG. 1 is a perspective view of a spray gun body showing my present design;
FIG. 2 is a front view thereof;
FIG. 3 is a rear view thereof;
FIG. 4 is a left view thereof;
FIG. 5 is a right view thereof;
FIG. 6 is a top plan view thereof; and,
FIG. 7 is a bottom plan view.

(56) **References Cited**

U.S. PATENT DOCUMENTS

- D358,450 S * 5/1995 Casey D23/223
- D372,517 S * 8/1996 Farnsteiner D23/223
- D419,641 S * 1/2000 Wilson D23/223

1 Claim, 5 Drawing Sheets



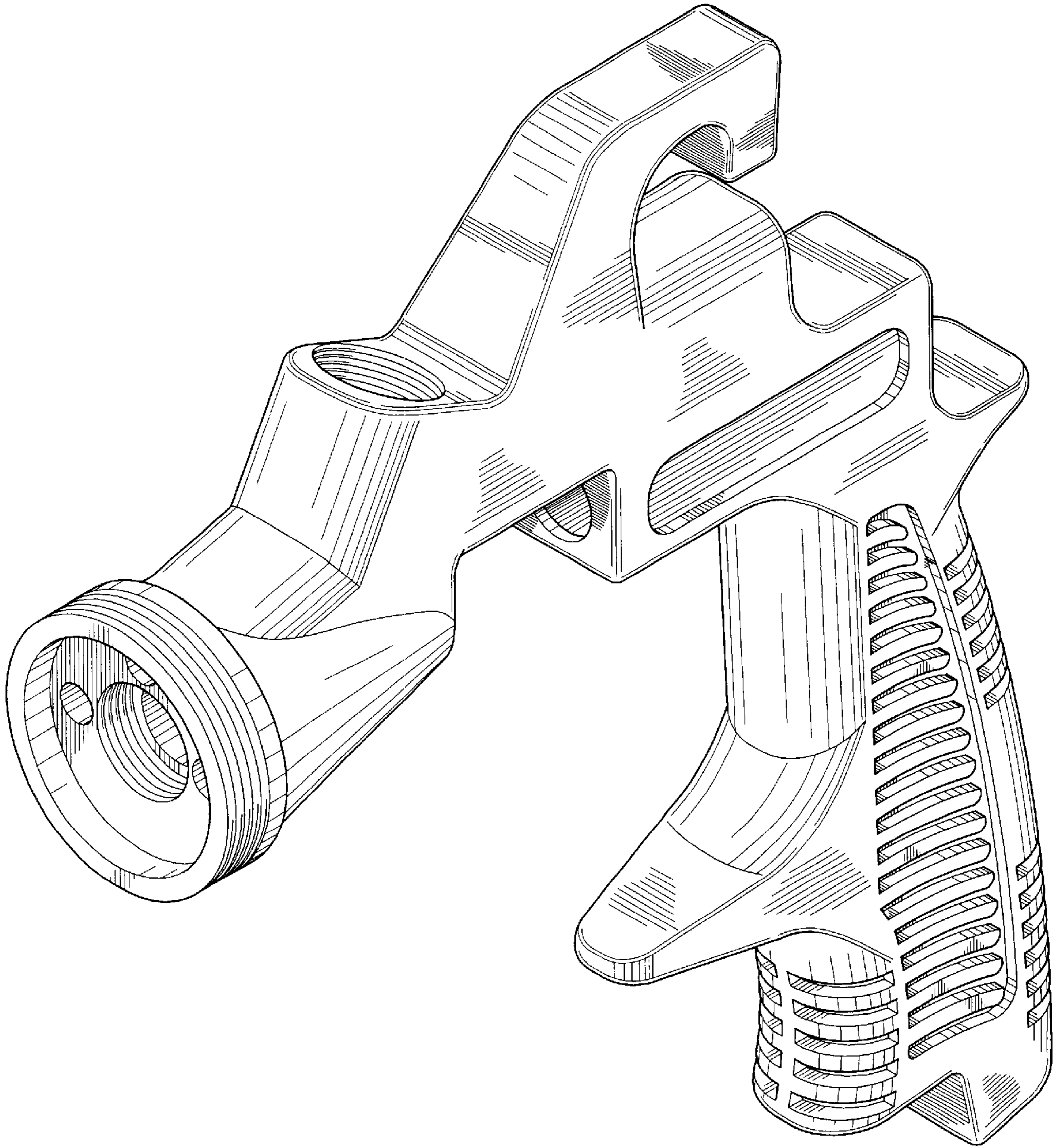


FIG. 1

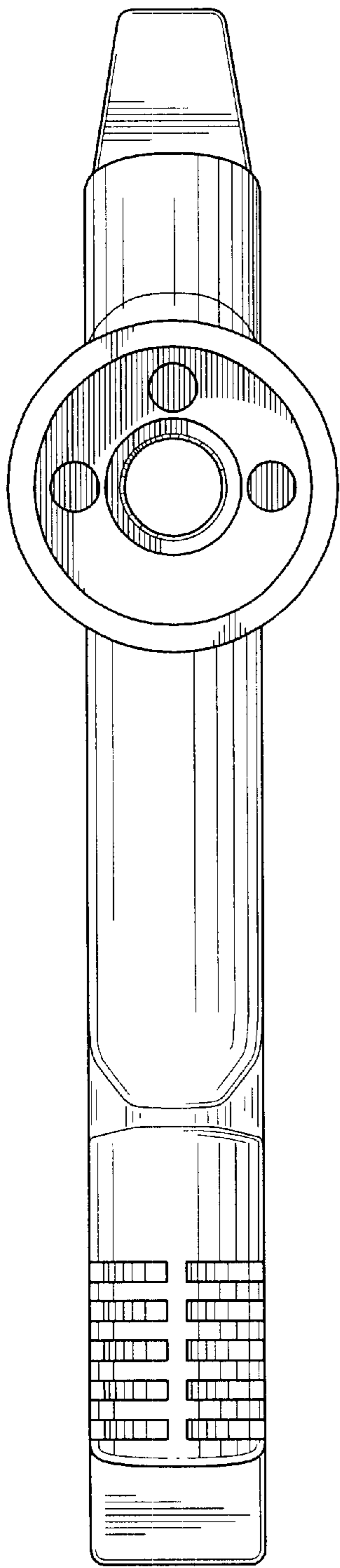


FIG. 2

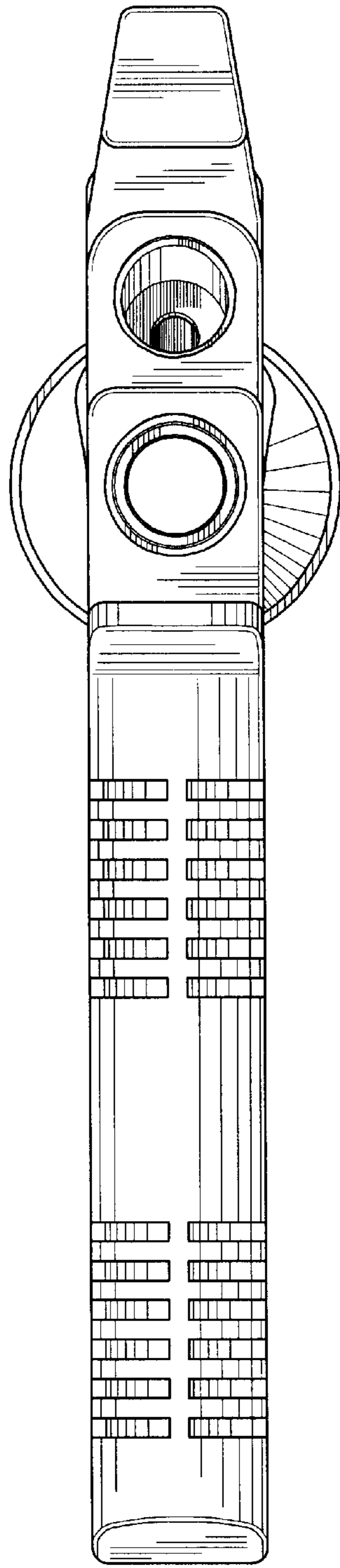


FIG. 3

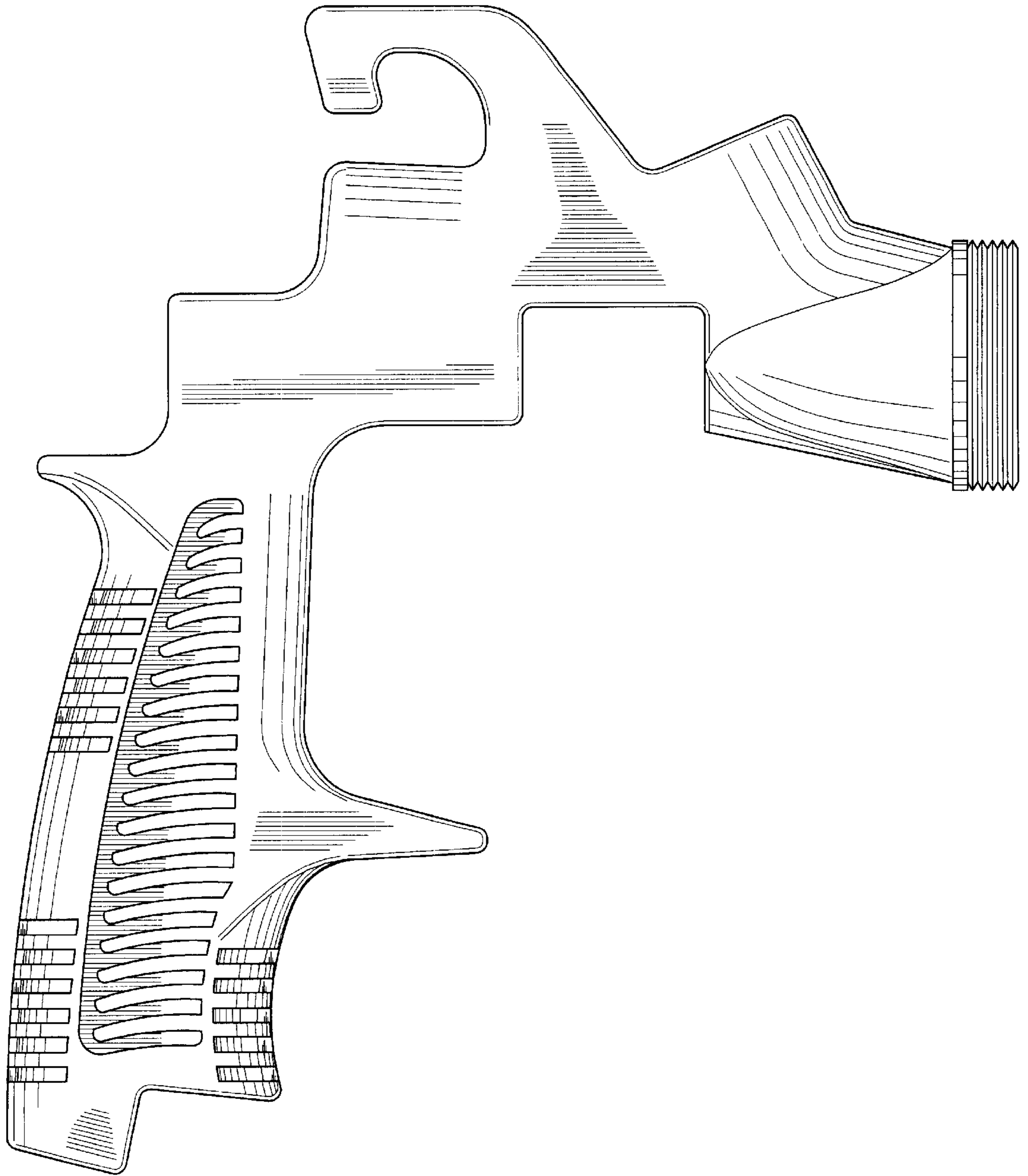


FIG. 4

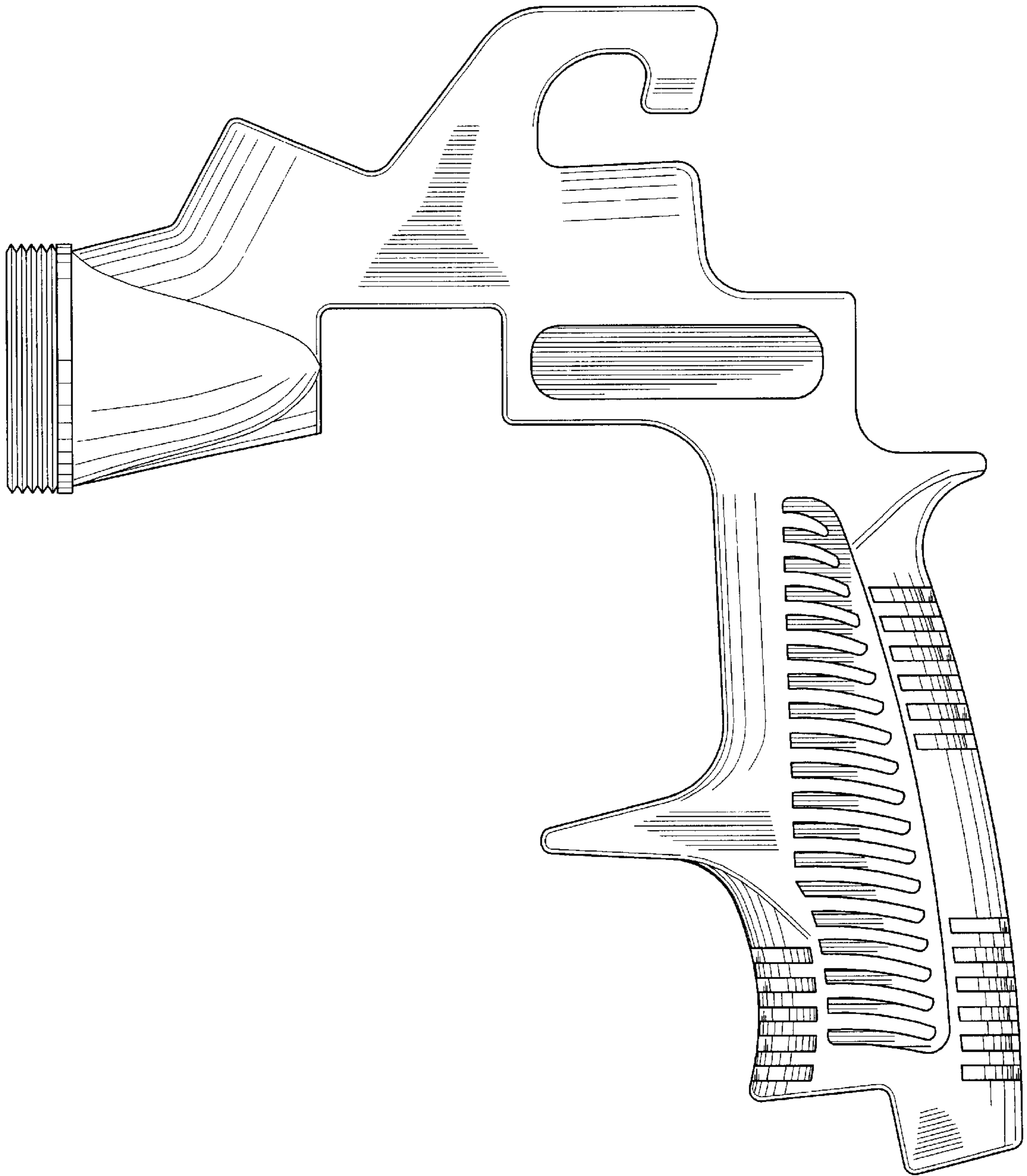


FIG. 5

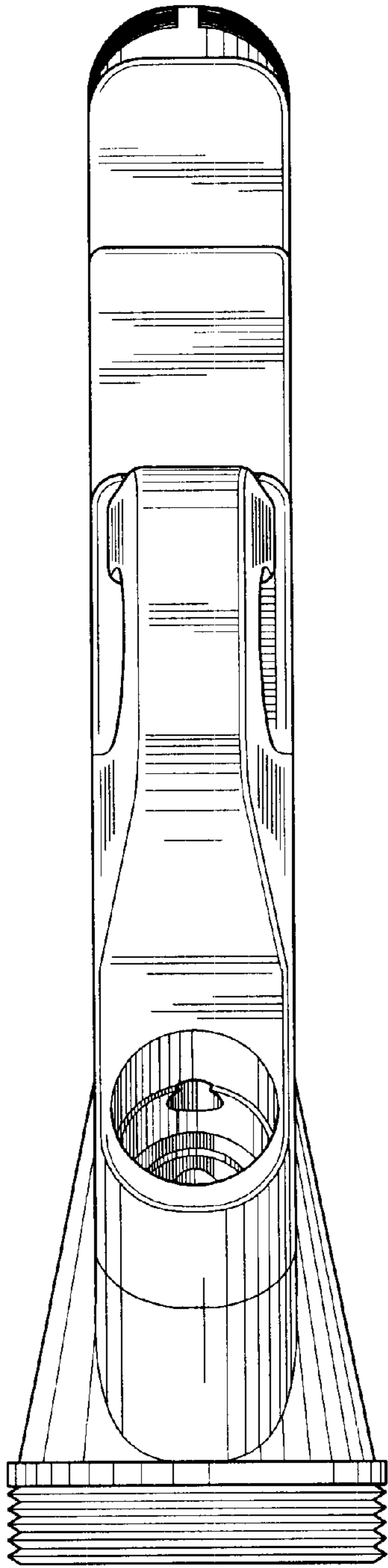


FIG. 6

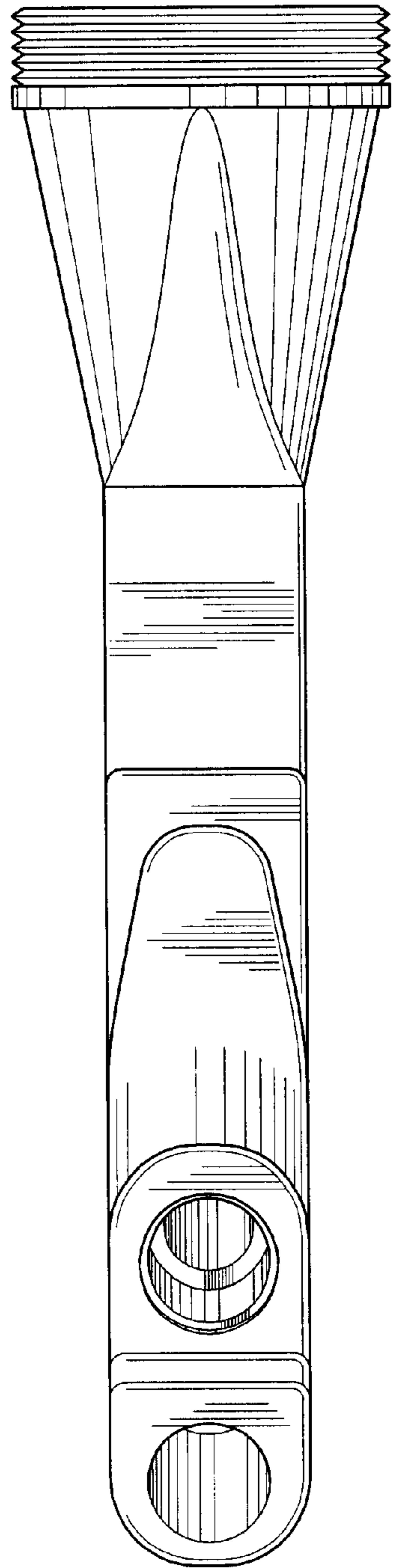


FIG. 7