



US00D474256S

(12) **United States Design Patent**
Hubmann et al.

(10) **Patent No.:** **US D474,256 S**

(45) **Date of Patent:** **** May 6, 2003**

(54) **DISPENSING HEAD**

(75) Inventors: **Curtis H. Hubmann**, Racine, WI (US);
Elizabeth A. Slater, Cambs (GB);
Reuben Wu, Saffron Walden (GB);
Matthew E. Young, Cambs (GB)

(73) Assignee: **JohnsonDiversey, Inc.**, Sturtevant, WI (US)

(**) Term: **14 Years**

(21) Appl. No.: **29/166,461**

(22) Filed: **Aug. 28, 2002**

Related U.S. Application Data

(63) Continuation-in-part of application No. 29/148,395, filed on Sep. 19, 2001, now abandoned, and a division of application No. 29/150,585, filed on Nov. 6, 2001.

(51) **LOC (7) Cl.** **23-01**

(52) **U.S. Cl.** **D23/213; D23/225**

(58) **Field of Search** **D23/213, 228; D8/2; 239/302, 308, 316-318, 310, 324**

(56) **References Cited**

U.S. PATENT DOCUMENTS

D319,292 S * 8/1991 Gunzel et al. D23/213

5,213,265 A * 5/1993 Englhard et al. 239/310
D358,865 S * 5/1995 Englhard et al. D23/213
D433,095 S * 10/2000 Beaver et al. D23/213

* cited by examiner

Primary Examiner—Robin V. Taylor

(74) *Attorney, Agent, or Firm*—Neil E. Hamilton; Warren R. Bovee; Renee J. Rymarz

(57) **CLAIM**

The ornamental design for a dispensing head, as shown and described.

DESCRIPTION

The nature of this product is as a dispenser for liquids primarily used for cleaning and sanitizing solutions.

FIG. 1 is a right, front, perspective view of a dispensing head embodying our new design;

FIG. 2 is a right side elevational view thereof, the left side elevational view thereof being a mirror image of the right side shown;

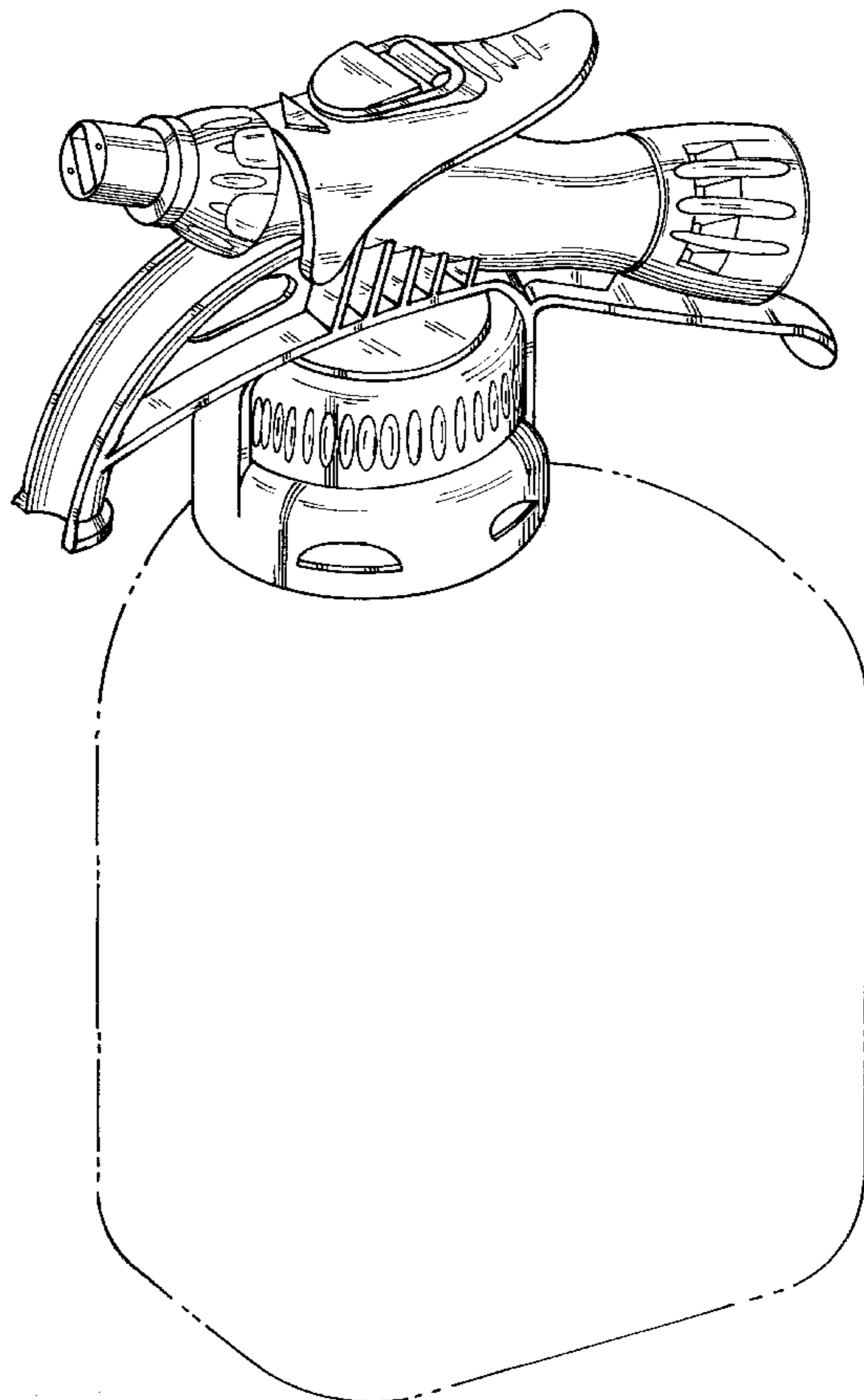
FIG. 3 is a top plan view thereof;

FIG. 4 is a front elevational view thereof; and,

FIG. 5 is a rear elevational view thereof.

The broken line representations of a bottle in FIGS. 1 and 2 are for purposes of illustration only and form no part of the claimed design.

1 Claim, 3 Drawing Sheets



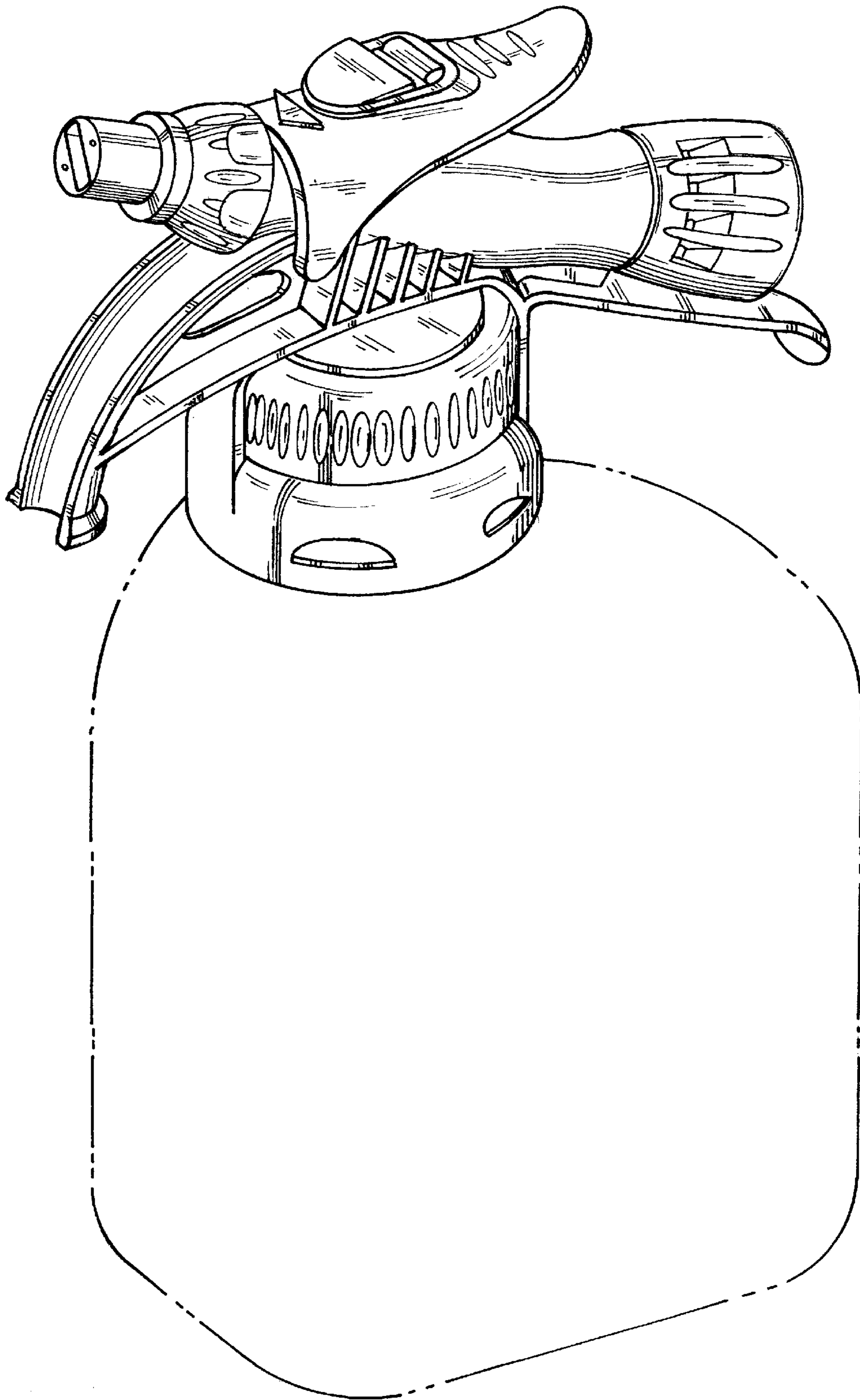


FIG. 1

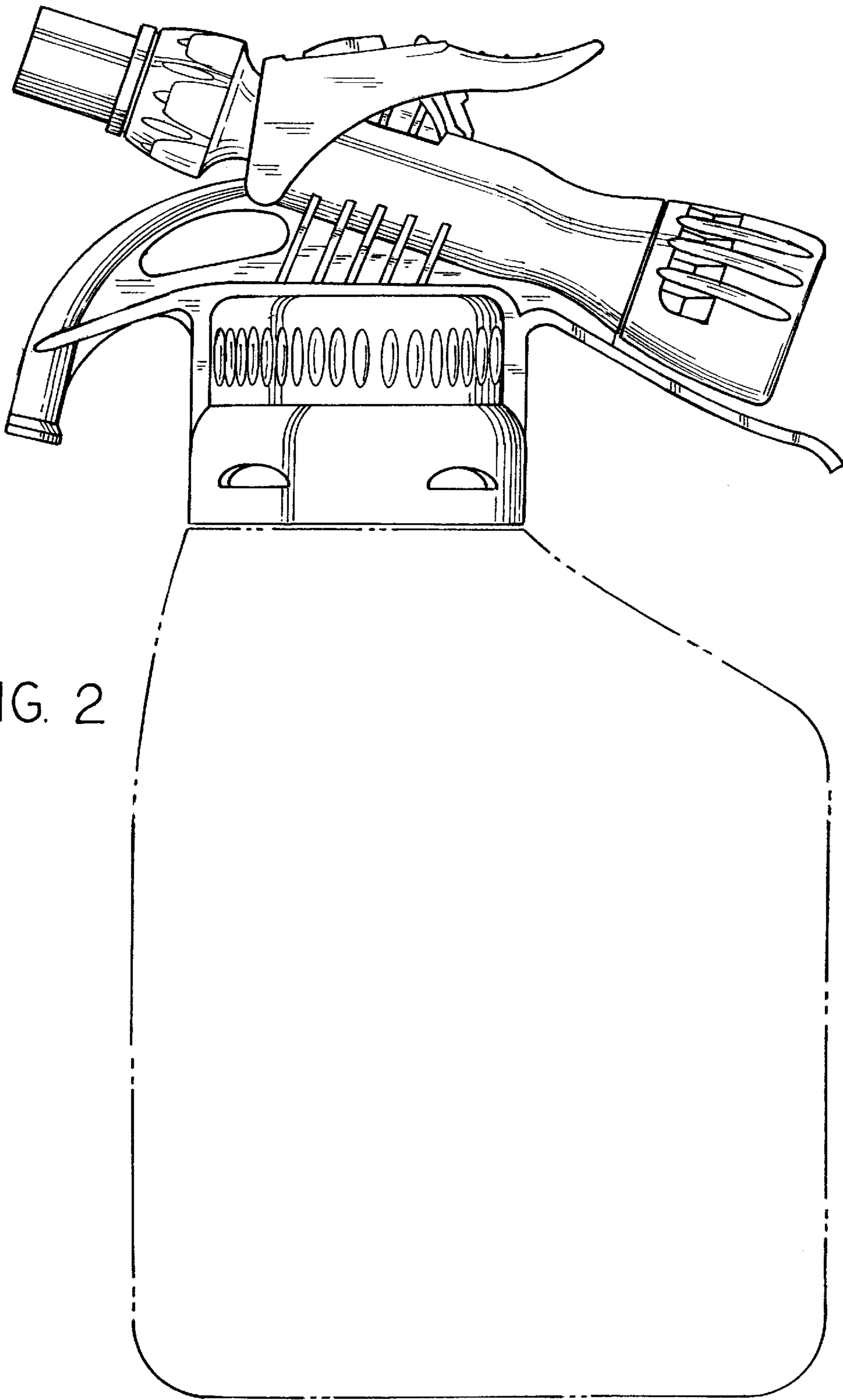


FIG. 2

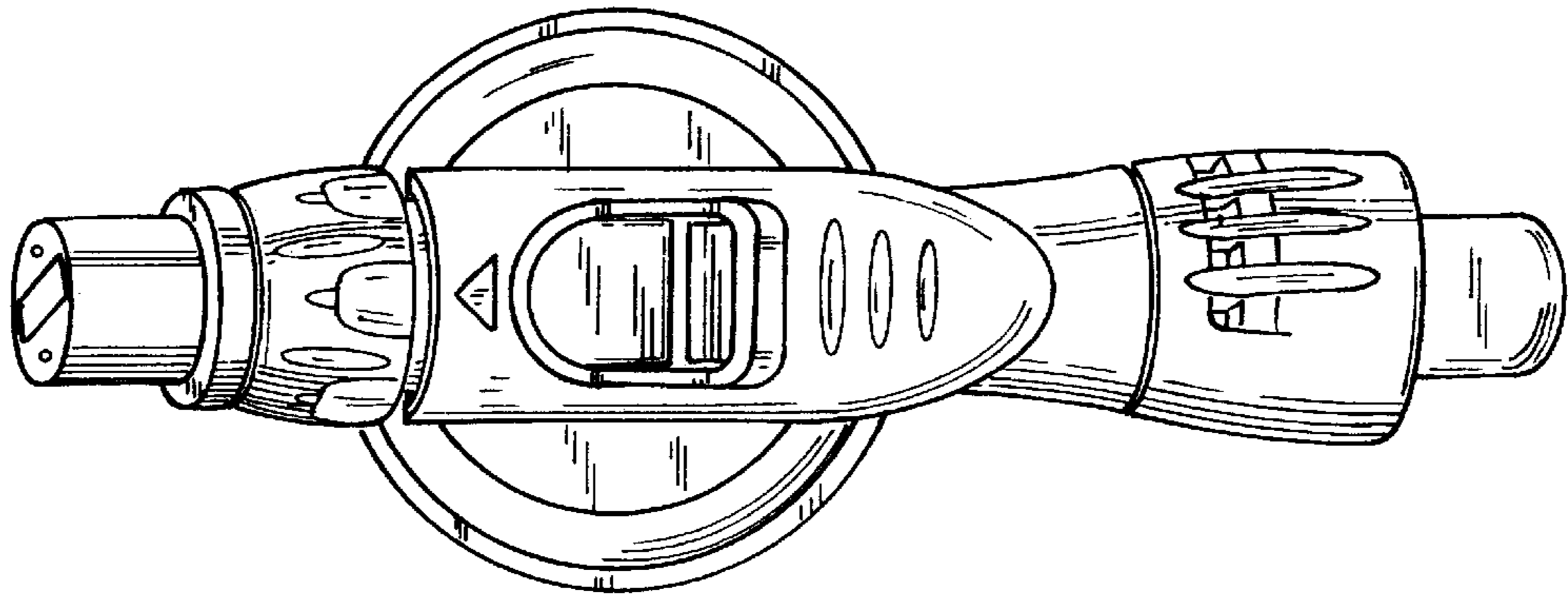


FIG. 3

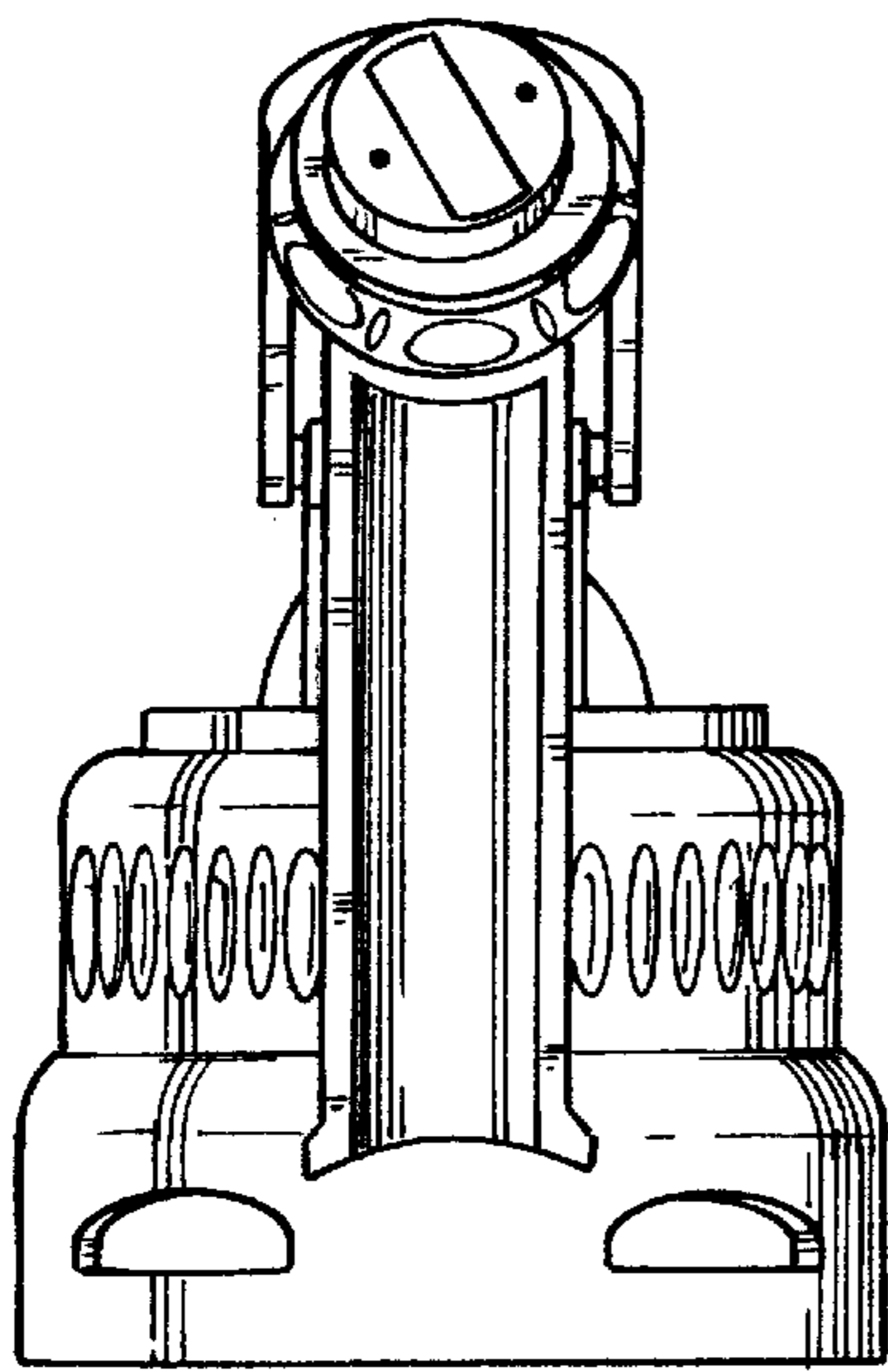


FIG. 4

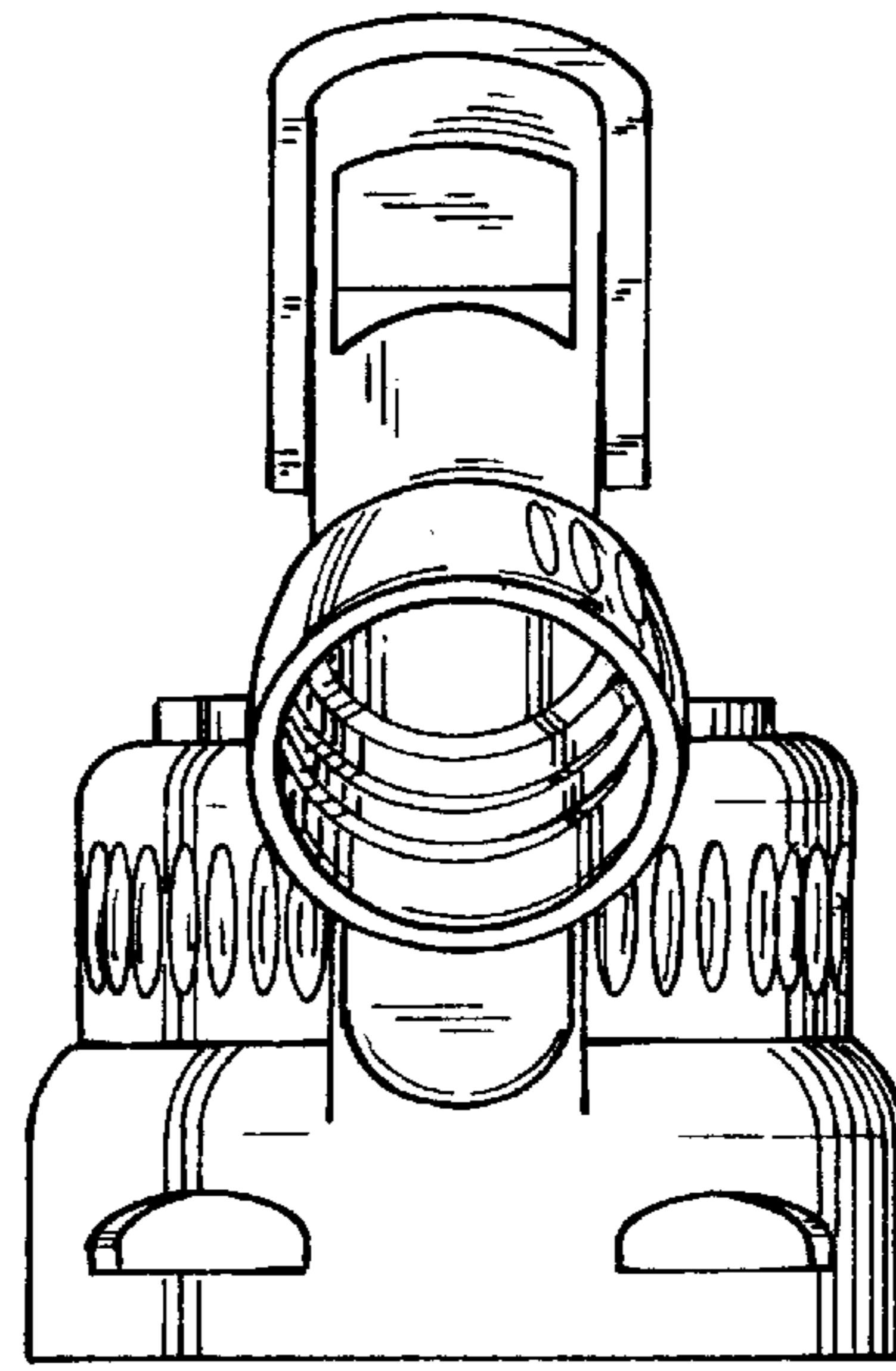


FIG. 5