



US00D474247S

(12) **United States Design Patent**  
**Miyoshi**

(10) **Patent No.:** **US D474,247 S**

(45) **Date of Patent:** **\*\* May 6, 2003**

(54) **MULTI DIRECTIONAL INPUT APPARATUS**

(75) **Inventor:** **Toshiharu Miyoshi, Higashiosaka (JP)**

(73) **Assignee:** **Hosiden Corporation, Yao**

(\*\*) **Term:** **14 Years**

(21) **Appl. No.:** **29/134,582**

(22) **Filed:** **Dec. 27, 2000**

(30) **Foreign Application Priority Data**

Jun. 27, 2000 (JP) ..... 2000-017398

(51) **LOC (7) Cl.** ..... **21-01**

(52) **U.S. Cl.** ..... **D21/333; D14/400**

(58) **Field of Search** ..... D14/412-416,  
D14/400, 401, 432, 435; D21/324, 333;  
273/148 B; 463/1, 29-47; 200/6 A, 5 R,  
176

(56) **References Cited**

**U.S. PATENT DOCUMENTS**

- D297,953 S \* 10/1988 Yasuda et al. .... D14/413
- 5,107,080 A \* 4/1992 Rosen ..... 200/6 A
- 5,496,977 A \* 3/1996 Date et al. .... 200/6 A
- D372,941 S \* 8/1996 Oikawa ..... D14/413
- 5,621,196 A \* 4/1997 Nishijima et al. .... 200/6 A

- D414,761 S \* 10/1999 Oikawa et al. .... D14/413
- D438,847 S \* 3/2001 Hasegawa ..... D14/412
- 6,342,009 B1 \* 1/2002 Soma ..... 273/148 B
- D456,026 S \* 4/2002 Goto ..... D14/432
- 6,399,904 B1 \* 6/2002 Mimata ..... 273/148 B
- 6,429,767 B1 \* 8/2002 Shimomura ..... 273/148 B

\* cited by examiner

*Primary Examiner*—Prabhakar Deshmukh

(74) *Attorney, Agent, or Firm*—Armstrong, Westerman & Hattori, LLP

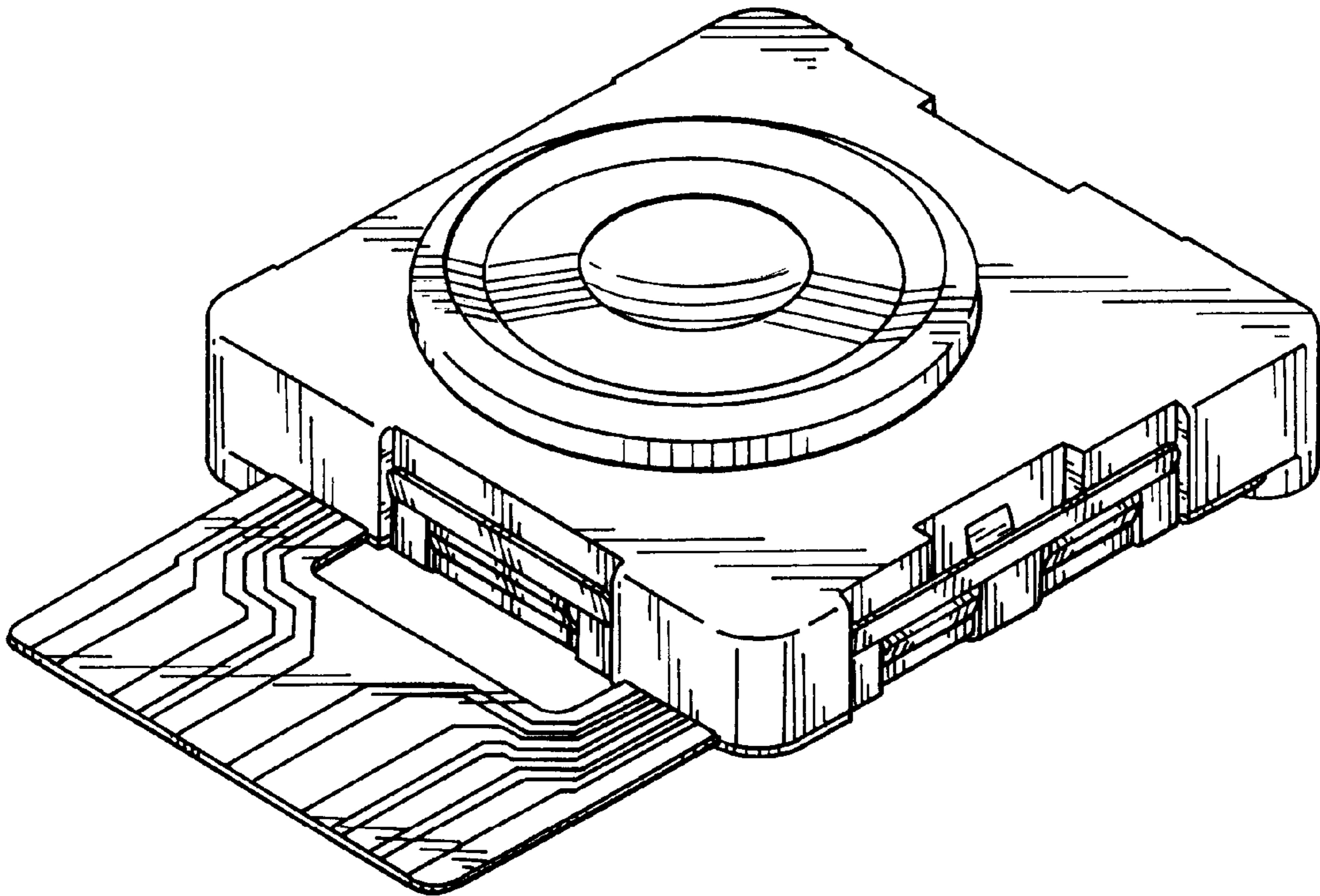
(57) **CLAIM**

The ornamental design for a multi directional input apparatus, as shown and described.

**DESCRIPTION**

FIG. 1 is a front elevational view of the multi directional input apparatus showing my new design;  
 FIG. 2 is a reduced scale top plan view thereof;  
 FIG. 3 is a reduced scale bottom plan view thereof;  
 FIG. 4 is a right side elevational view thereof;  
 FIG. 5 is a left side elevational view thereof;  
 FIG. 6 is a rear elevational view thereof;  
 FIG. 7 is a sectional view thereof; taken along line 7—7 of FIG. 2; and,  
 FIG. 8 is a perspective view from the right front quarter.

**1 Claim, 3 Drawing Sheets**



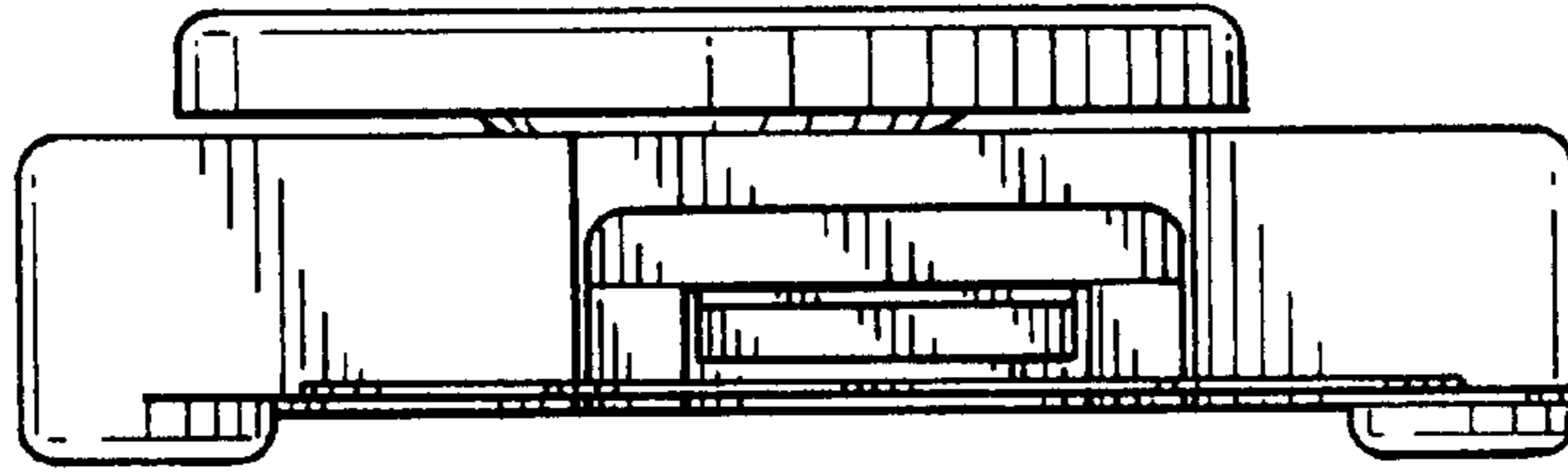


FIG. 1

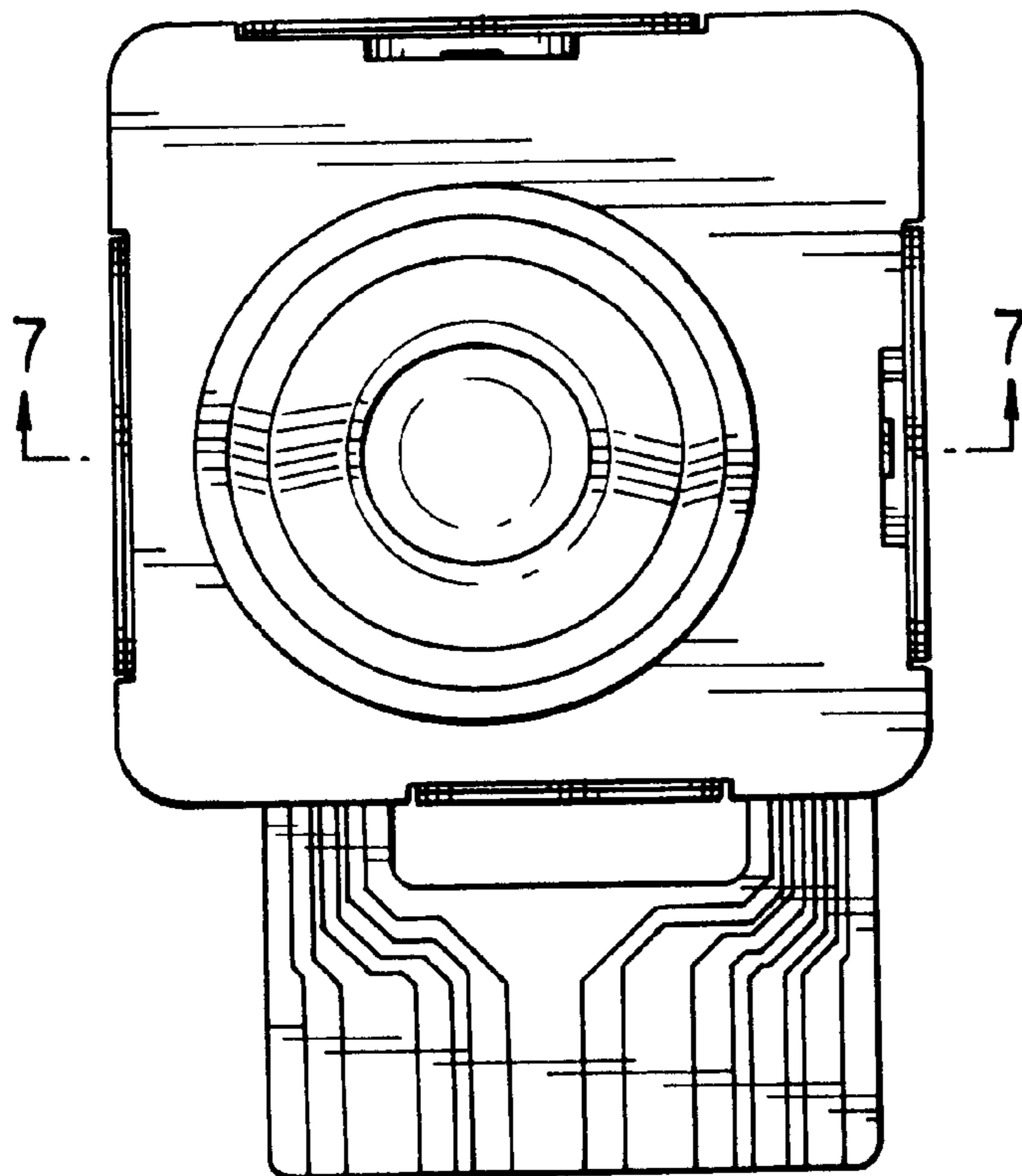


FIG. 2

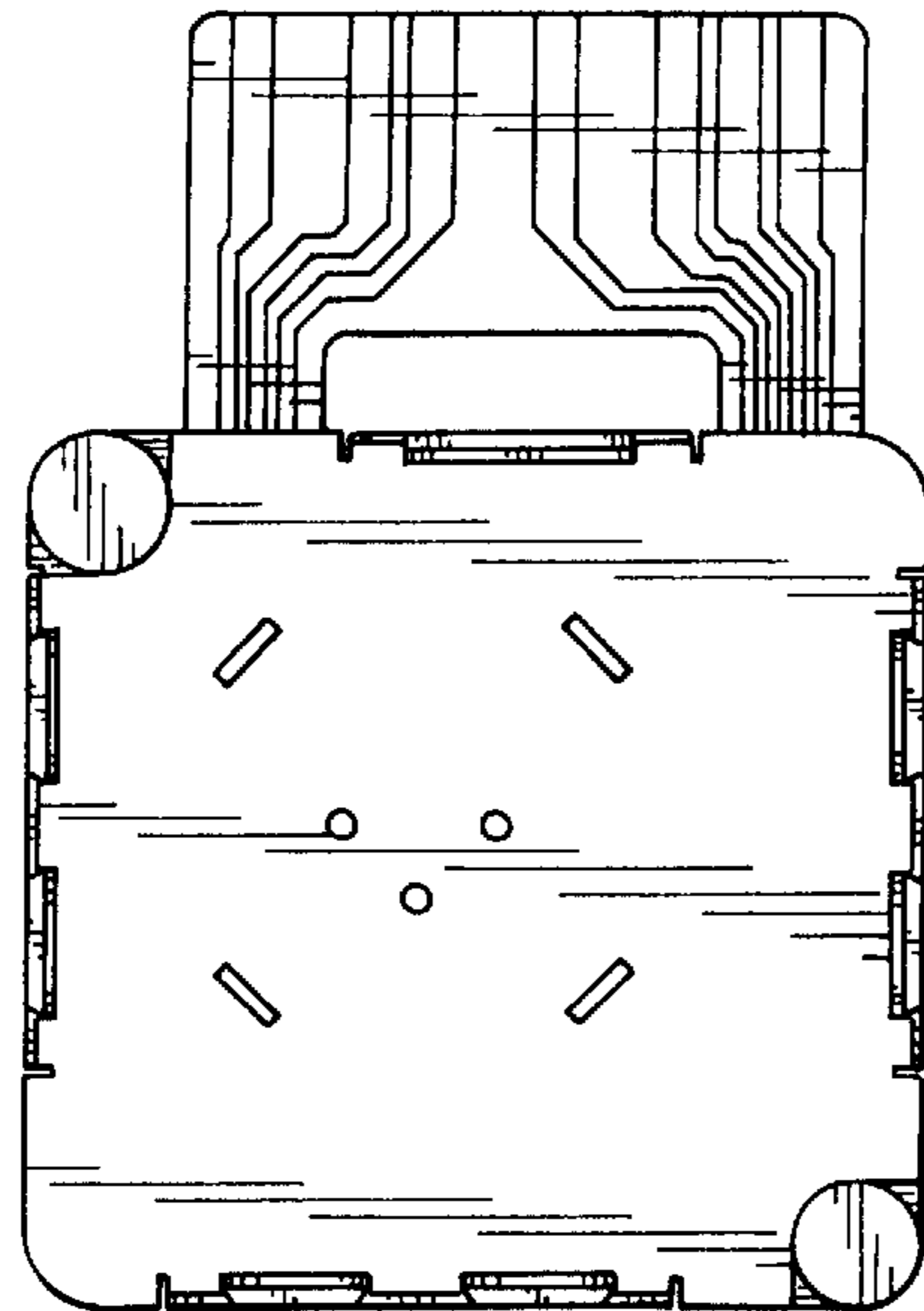


FIG. 3

FIG. 4

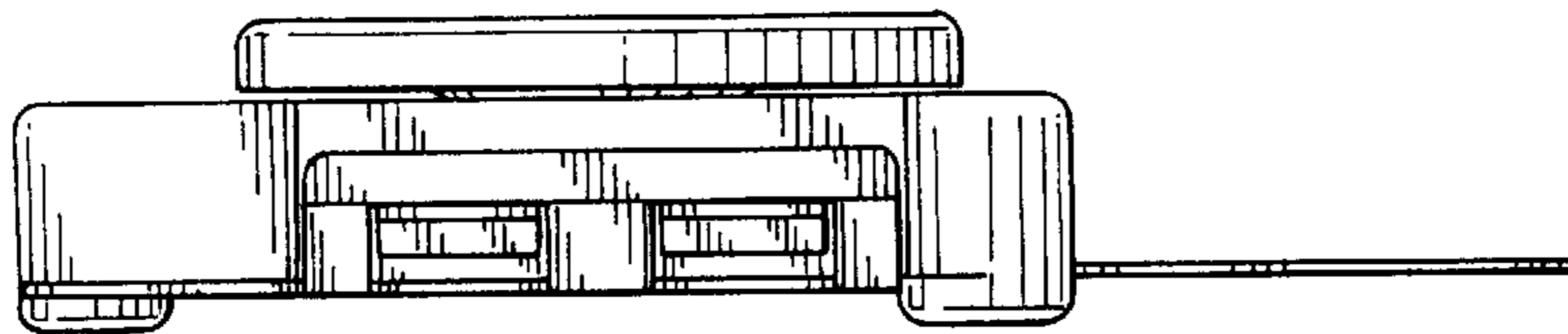
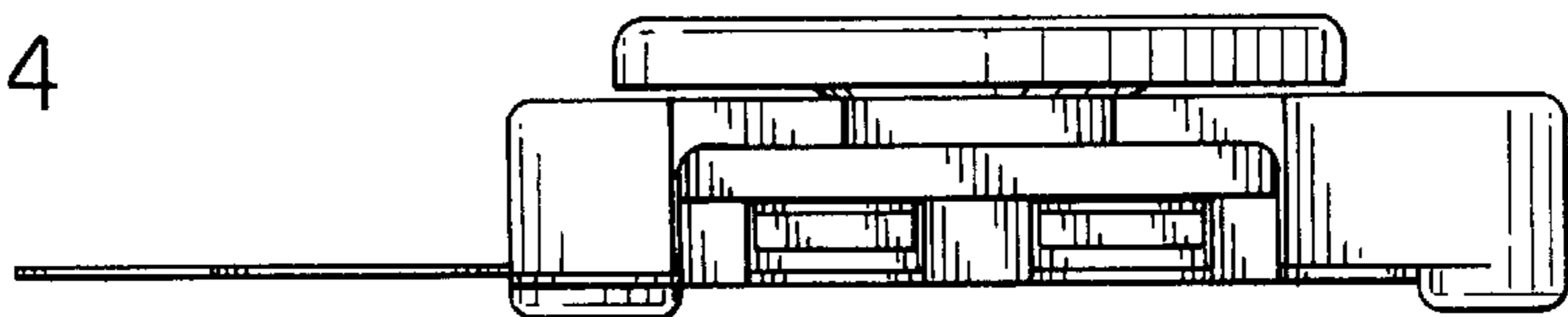


FIG. 5

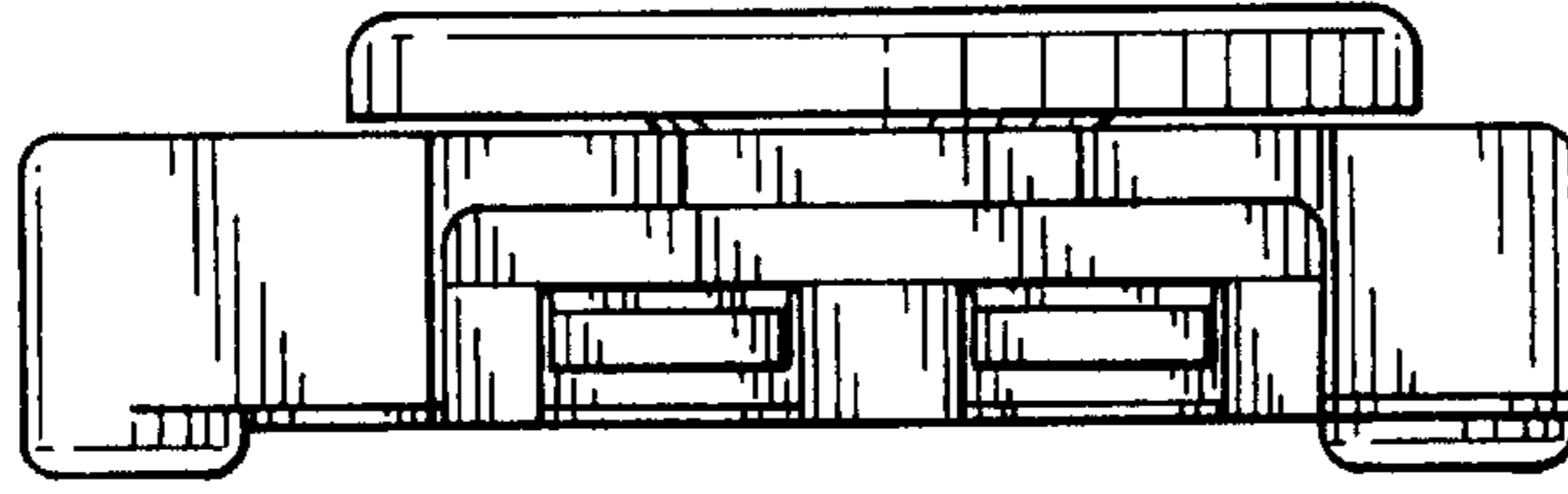


FIG. 6

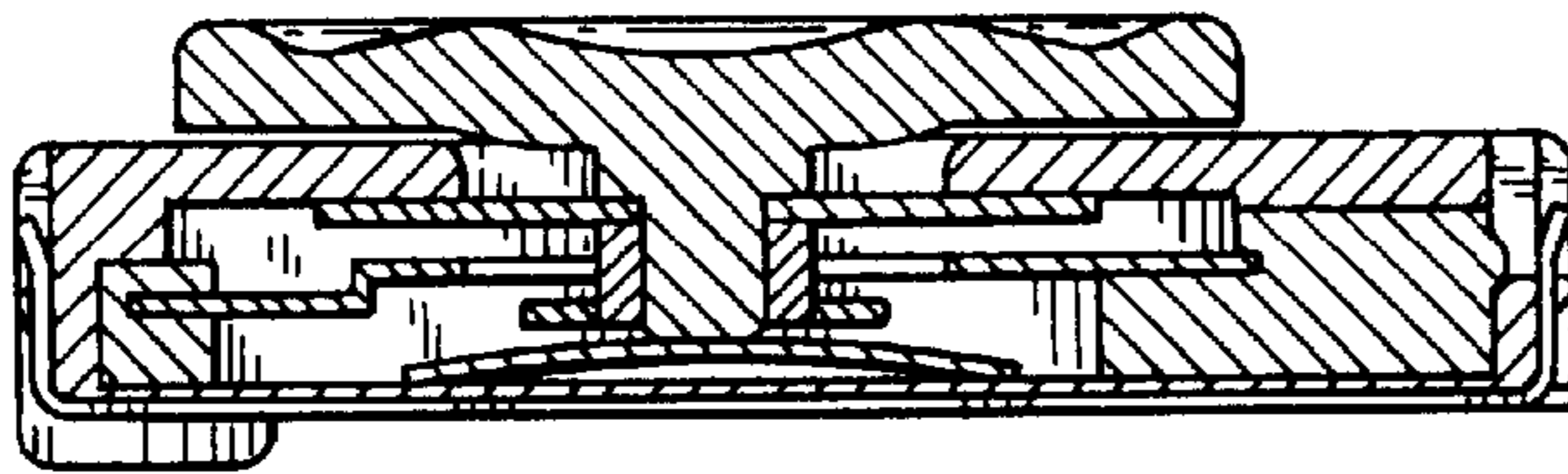


FIG. 7

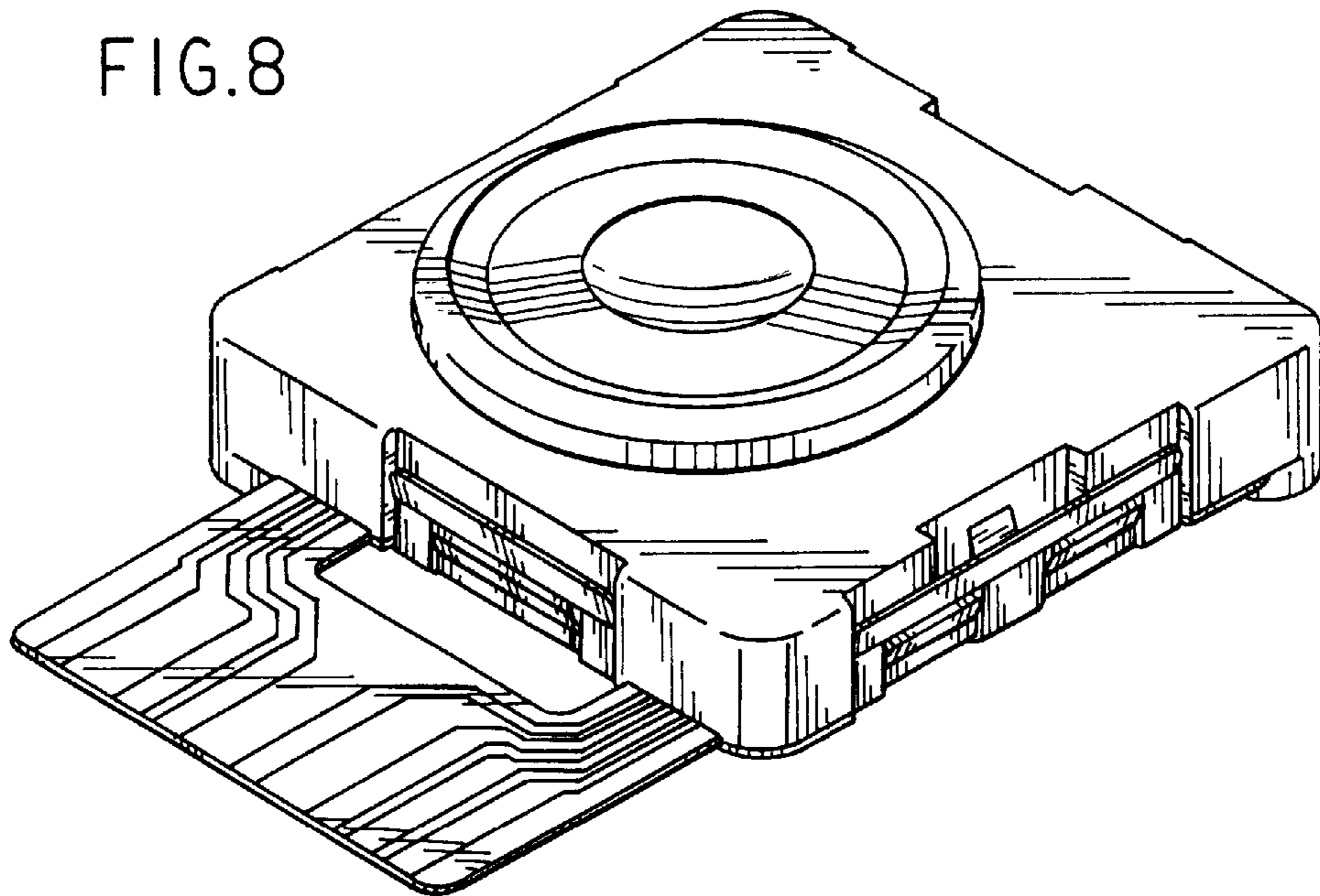


FIG. 8