



US00D474246S

(12) **United States Design Patent**  
**Carr**

(10) **Patent No.:** **US D474,246 S**

(45) **Date of Patent:** **\*\* May 6, 2003**

(54) **TOSSING GAME GAME-BOARD**

D438,910 S \* 3/2001 Culberson ..... D21/303

(76) Inventor: **Virgil A. Carr**, 527 Southwood Ave.,  
Columbus, OH (US) 43207

\* cited by examiner

*Primary Examiner*—Prabhakar Deshmukh

(\*\*) Term: **14 Years**

(57) **CLAIM**

(21) Appl. No.: **29/164,600**

The ornamental design for a tossing game game-board, as shown and described.

(22) Filed: **Jul. 29, 2002**

**DESCRIPTION**

(51) **LOC (7) Cl.** ..... **21-01**

FIG. 1 is a front elevated view of a tossing game game-board showing my new design.

(52) **U.S. Cl.** ..... **D21/303**

FIG. 2 is a rear elevated view of the tossing game game-board.

(58) **Field of Search** ..... D21/301-304,  
D21/334, 335; 273/317, 348, 398-402,  
407, 287

FIG. 3 is a side elevated view of the tossing game game-board.

(56) **References Cited**

FIG. 4 is a top plan view of the tossing game game-board.

**U.S. PATENT DOCUMENTS**

FIG. 5 is a bottom plan view of the tossing game game-board.

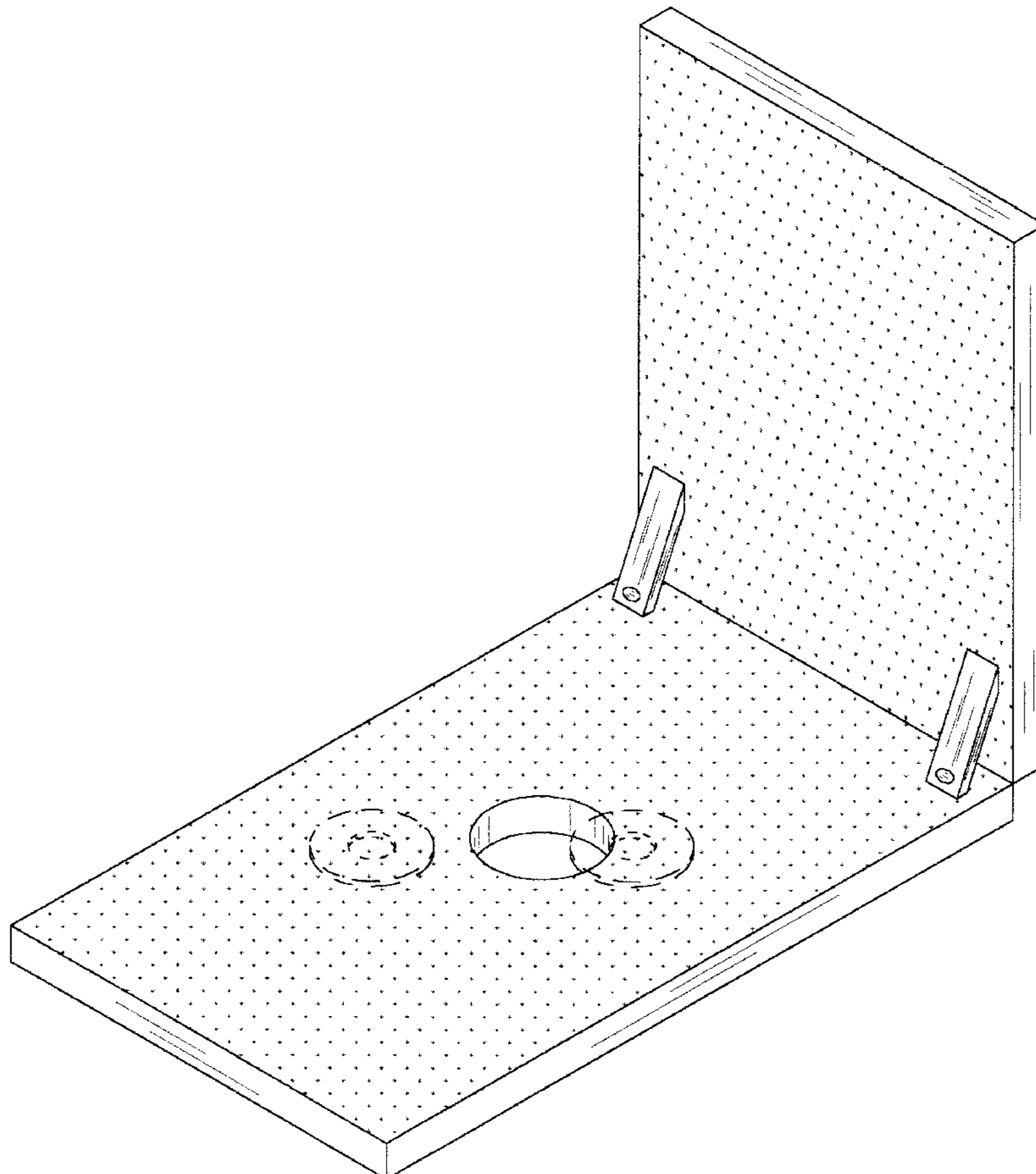
285,396	A	*	9/1883	Windt	.....	273/402
1,636,920	A	*	7/1927	Nichols	.....	273/402
3,305,236	A	*	2/1967	Glass et al.	.....	273/357
3,837,650	A	*	9/1974	Haney	.....	273/402
5,165,695	A	*	11/1992	Yoder	.....	273/402
D340,082	S	*	10/1993	DeLapa	.....	D21/303
5,342,057	A	*	8/1994	Sorkoram	.....	273/402
D375,530	S	*	11/1996	Rudd	.....	D21/303
5,803,839	A	*	9/1998	Palmer et al.	.....	273/402

FIG. 6 is a perspective view of the tossing game game-board; and,

FIG. 7 is a perspective view of the tossing game game-board, shown in folded position.

FIGS. 6 and 7 are drawn in a reduced scale. The broken lines showing of game washers in FIG. 6 are illustrative purpose only and forms no part of the claimed design.

**1 Claim, 7 Drawing Sheets**



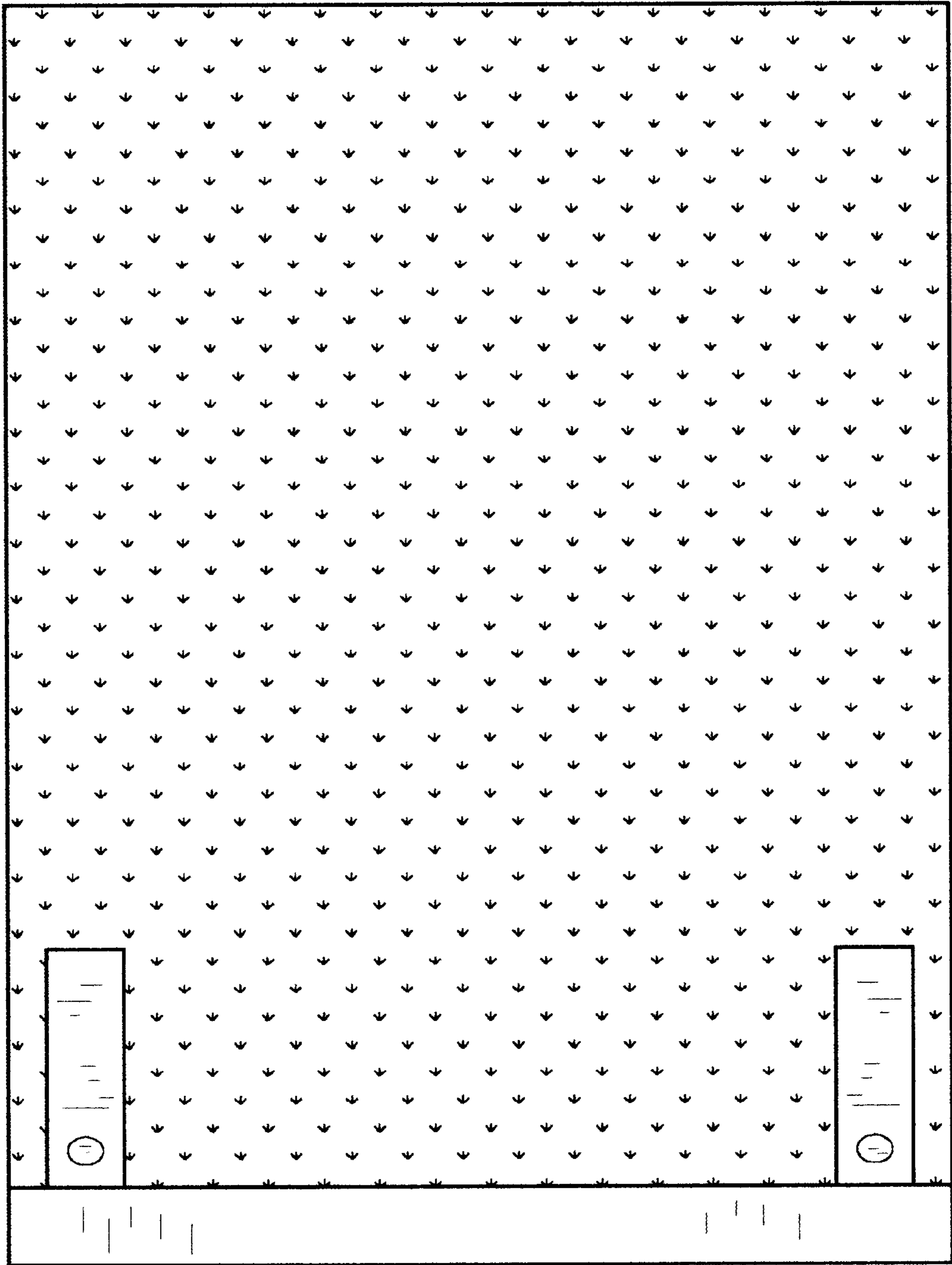


FIG. 1

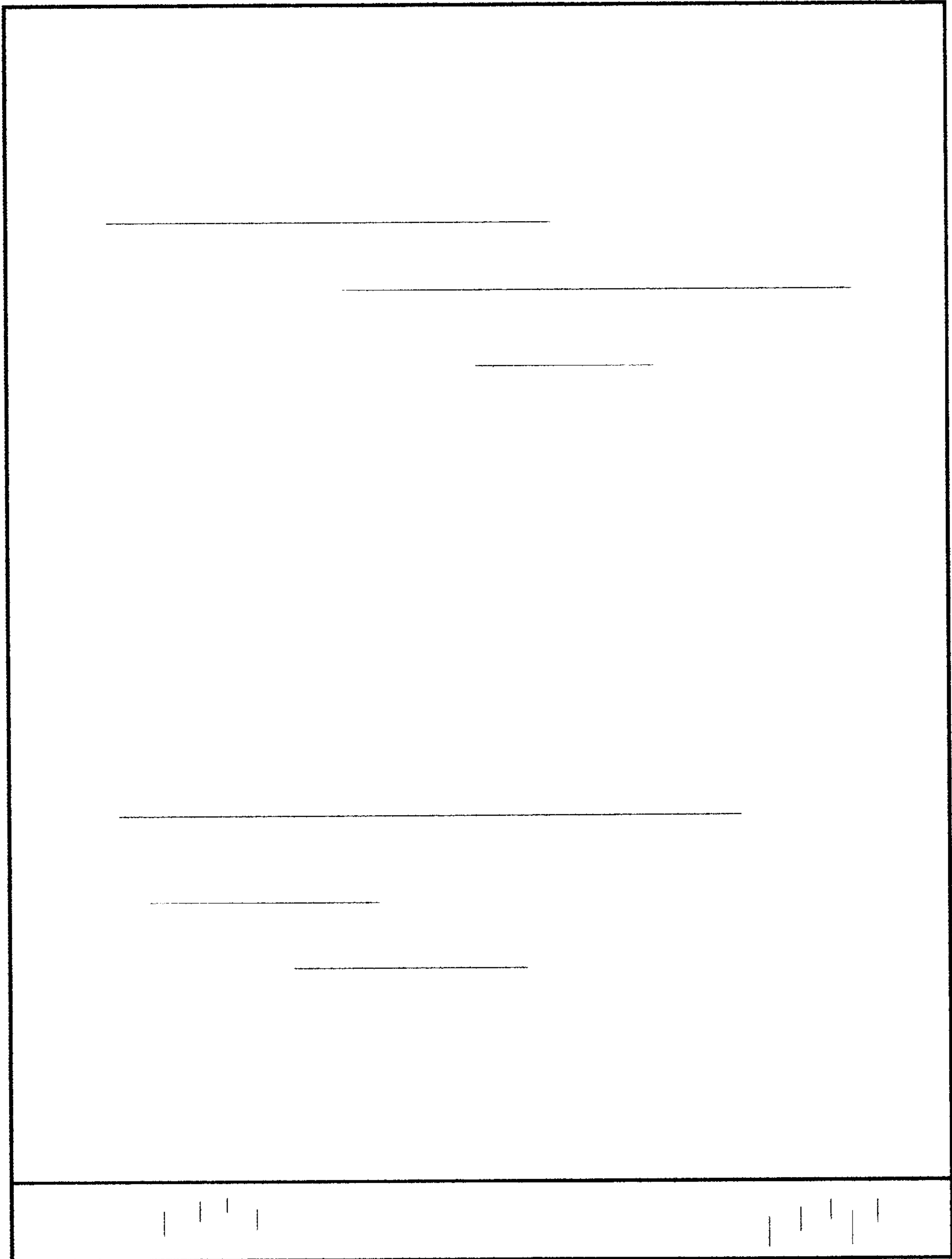


FIG. 2

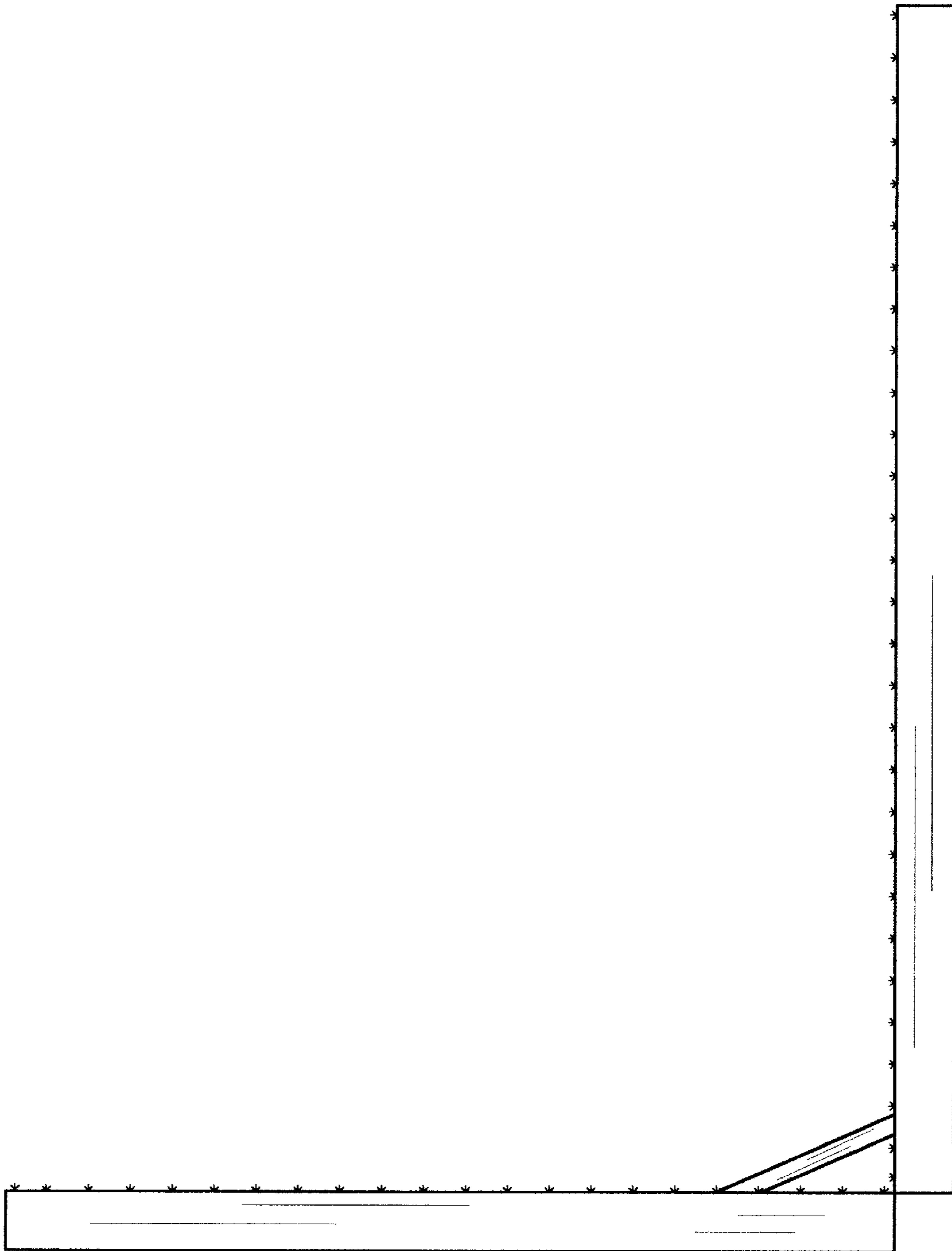


FIG. 3

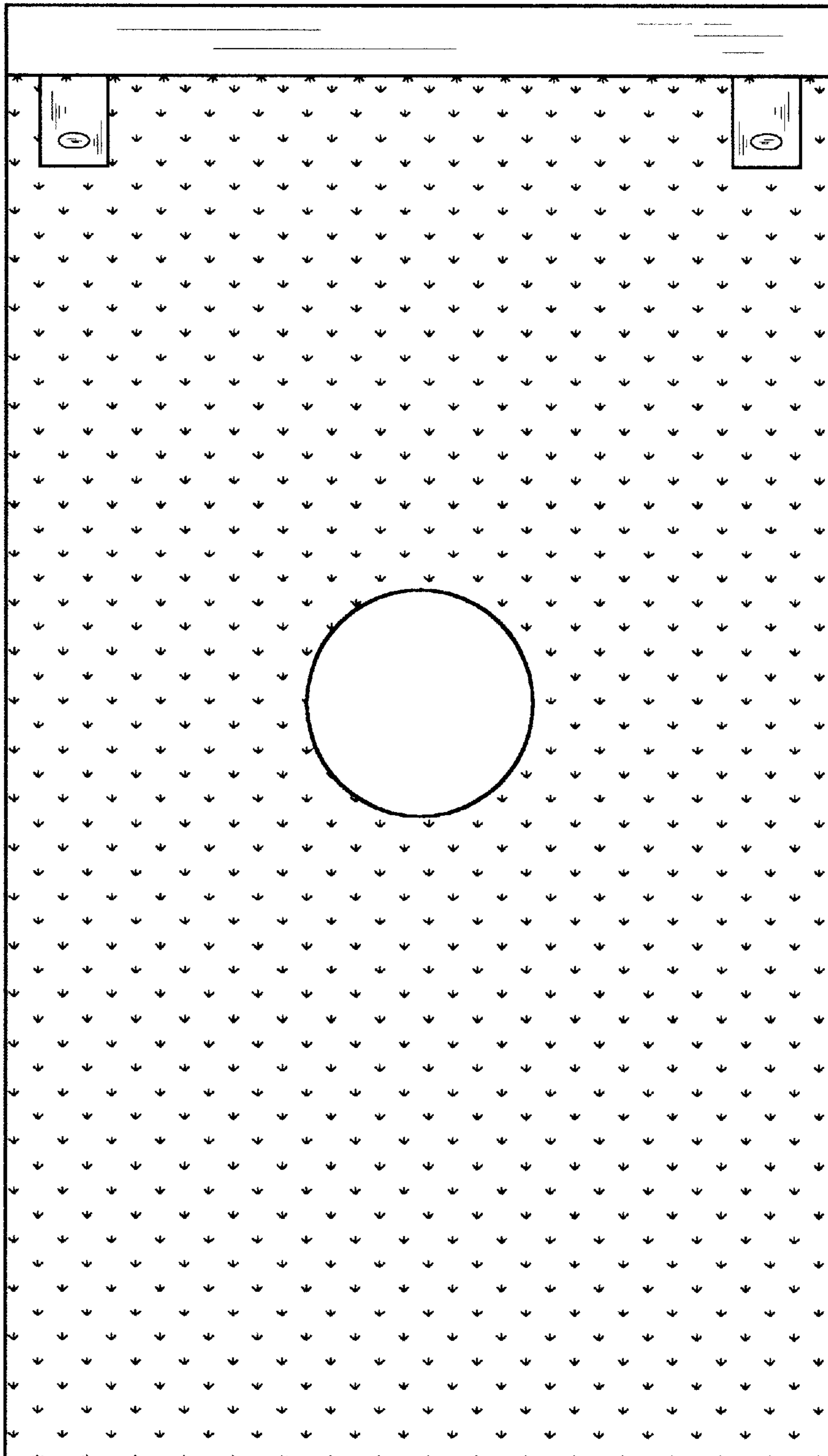


FIG. 4

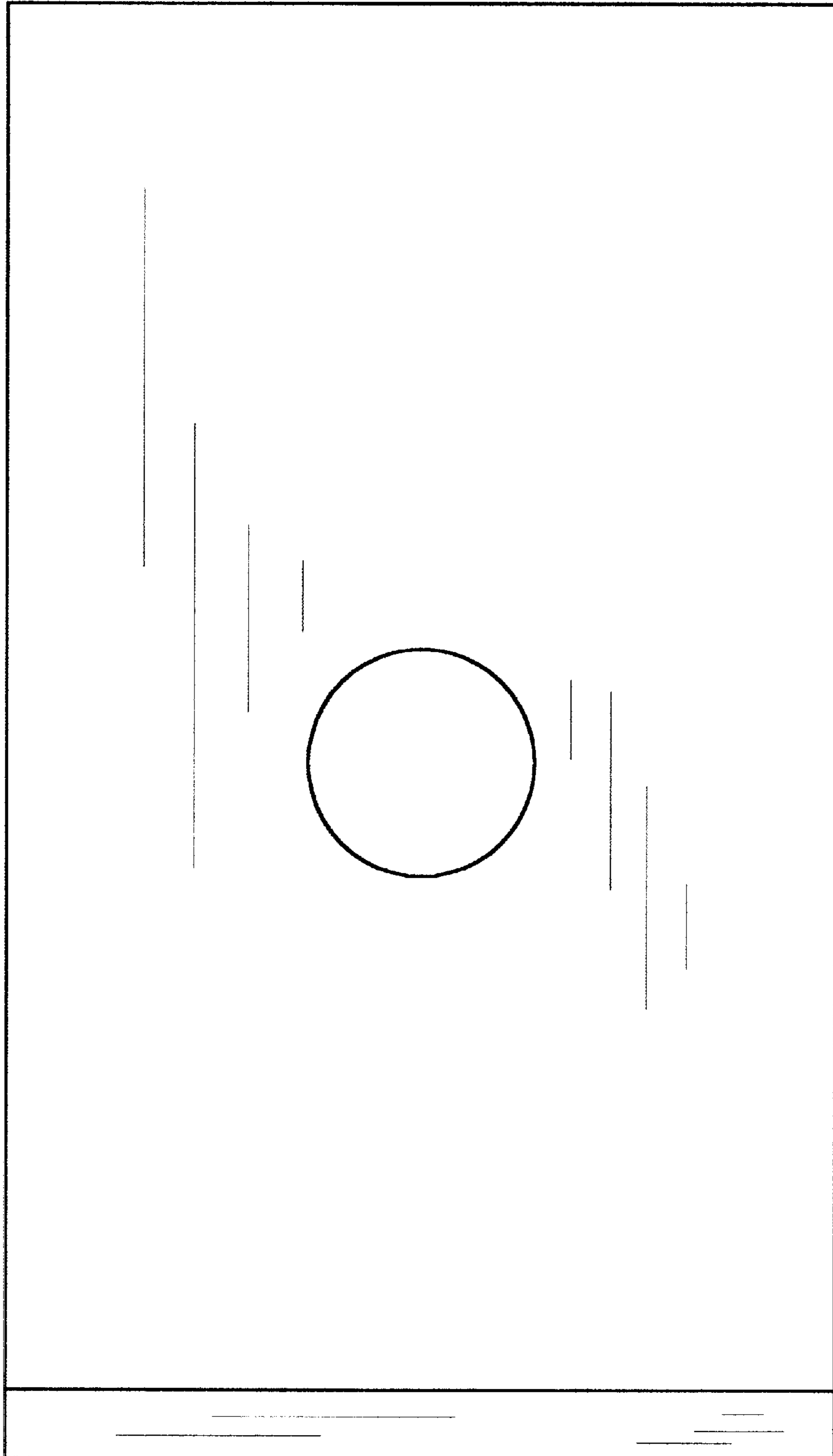


FIG. 5

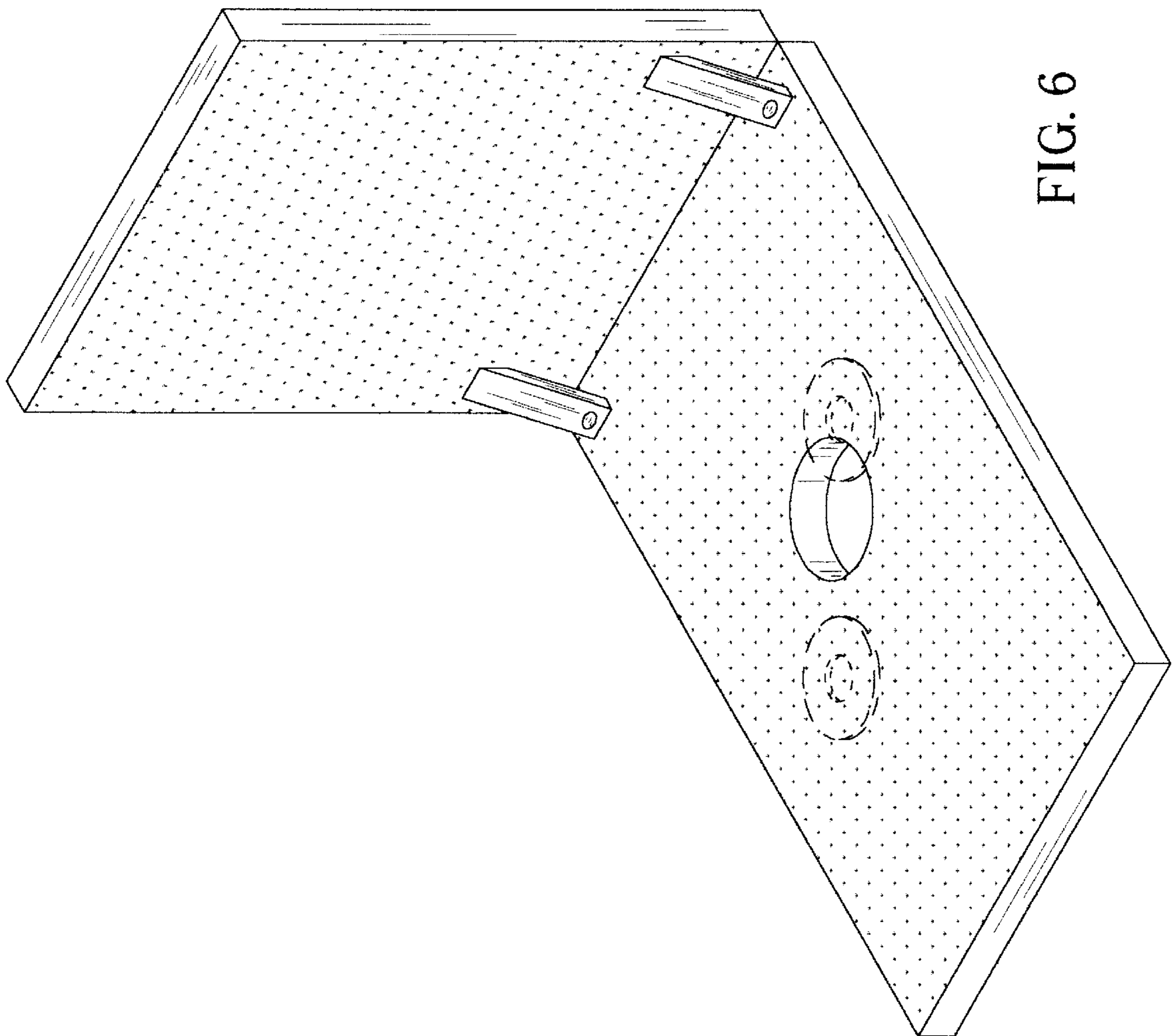


FIG. 6

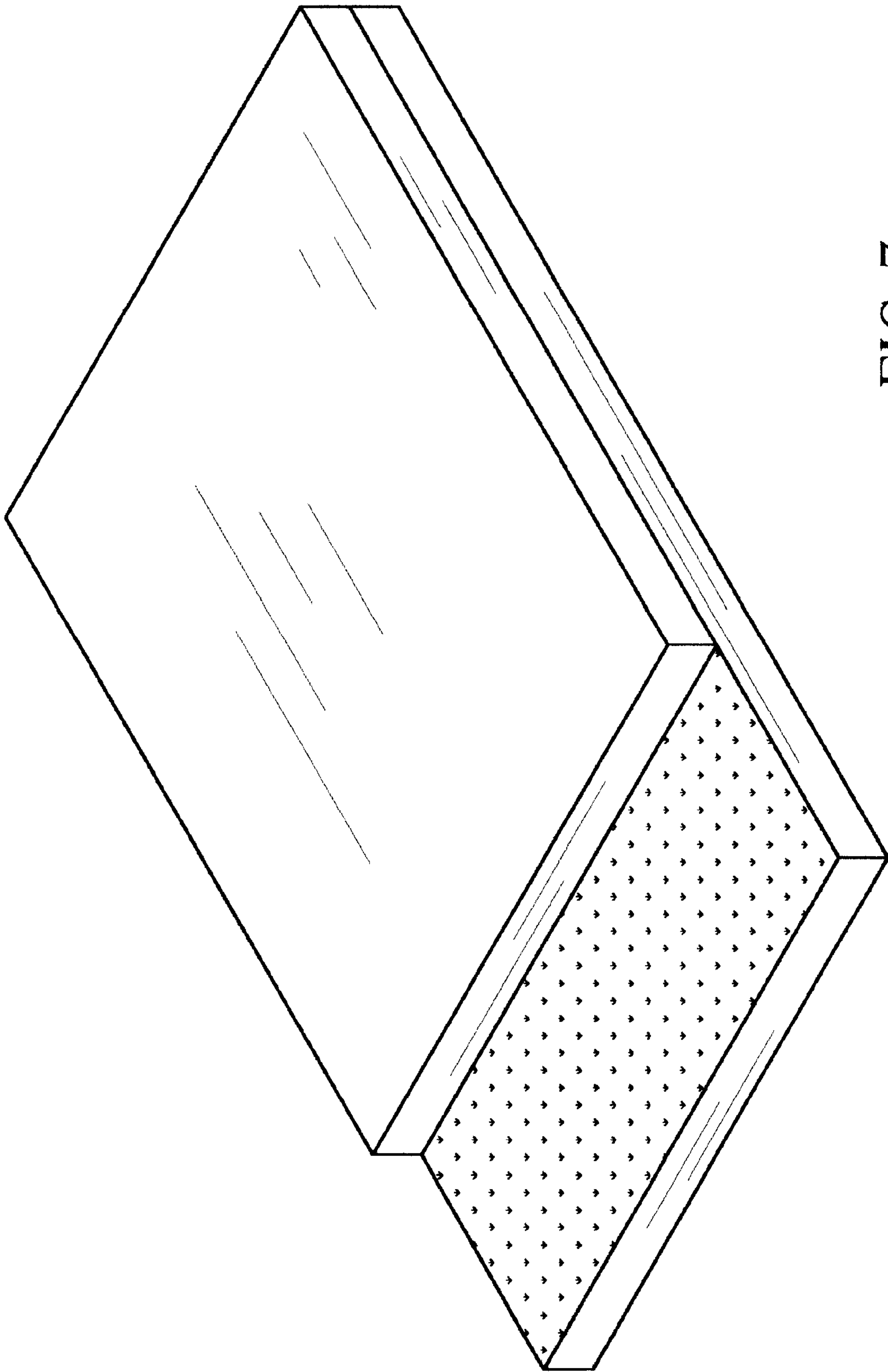


FIG. 7