



US00D474245S

(12) **United States Design Patent**
Abro

(10) **Patent No.:** **US D474,245 S**

(45) **Date of Patent:** **** May 6, 2003**

(54) **ADVERTISING SLEEVE FOR A GATE ARM**

(75) **Inventor:** **Leslie S. Abro**, Toronto (CA)

(73) **Assignee:** **Abcon Media Group Inc.**, Ontario (CA)

(**) **Term:** **14 Years**

(21) **Appl. No.:** **29/157,104**

(22) **Filed:** **Mar. 12, 2002**

(30) **Foreign Application Priority Data**

Oct. 26, 2001 (CA) 2001-2594

(51) **LOC (7) Cl.** **20-02**

(52) **U.S. Cl.** **D20/41**

(58) **Field of Search** D20/10-11, 13,
D20/15, 17, 19, 22, 27, 32, 39-44, 99;
40/603, 604, 606, 607, 611, 618

(56) **References Cited**

U.S. PATENT DOCUMENTS

2,798,317 A	*	7/1957	Hargus	40/606
3,182,414 A	*	5/1965	Snediker	40/604
3,928,930 A	*	12/1975	Attwood	40/607
5,040,478 A	*	8/1991	Hughes	116/207
D330,919 S	*	11/1992	Von Canal	D20/10
D334,775 S	*	4/1993	Foster	D20/10
5,212,898 A	*	5/1993	Dinan et al.	40/607
D337,129 S	*	7/1993	Sandy	D20/10

D378,301 S	*	3/1997	Leksell	D20/10
5,787,621 A	*	8/1998	Leksell	40/606
5,860,253 A	*	1/1999	Lapointe	52/98
D417,894 S	*	12/1999	Herbst	D20/41
D425,938 S	*	5/2000	Skog	20/41
D454,372 S	*	3/2002	Whittier et al.	D20/10

* cited by examiner

Primary Examiner—Robert M. Spear

(74) *Attorney, Agent, or Firm*—Merchant & Gould P.C.

(57) **CLAIM**

The ornamental design for an advertising sleeve for a gate arm, as shown and described.

DESCRIPTION

FIG. 1 is a perspective view taken from above and from the side of the advertising sleeve for a gate arm showing my new design;

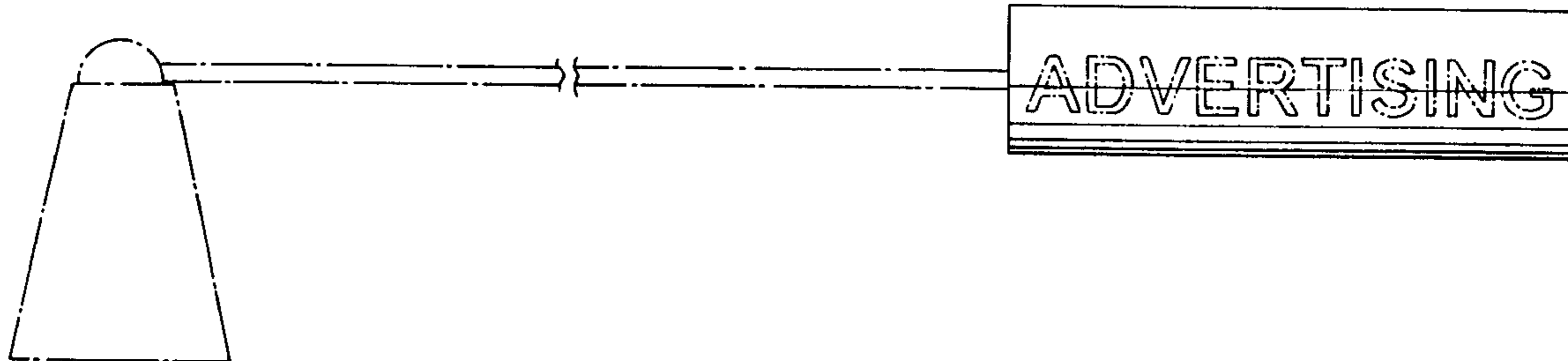
FIG. 2 is a front elevational view thereof showing the addition of advertising indicia to the front face of the sleeve; FIG. 3 is a top plan view thereof, the bottom plan being a mirror image;

FIG. 4 is a side view thereof, the opposite side being a mirror image; and,

FIG. 5 is another front elevational view thereof with the advertising sleeve disposed on a gate arm.

In the drawings, the broken line showing of a gate arm and advertising indicia is for illustrative purposes only and forms no part of the claimed design.

1 Claim, 3 Drawing Sheets



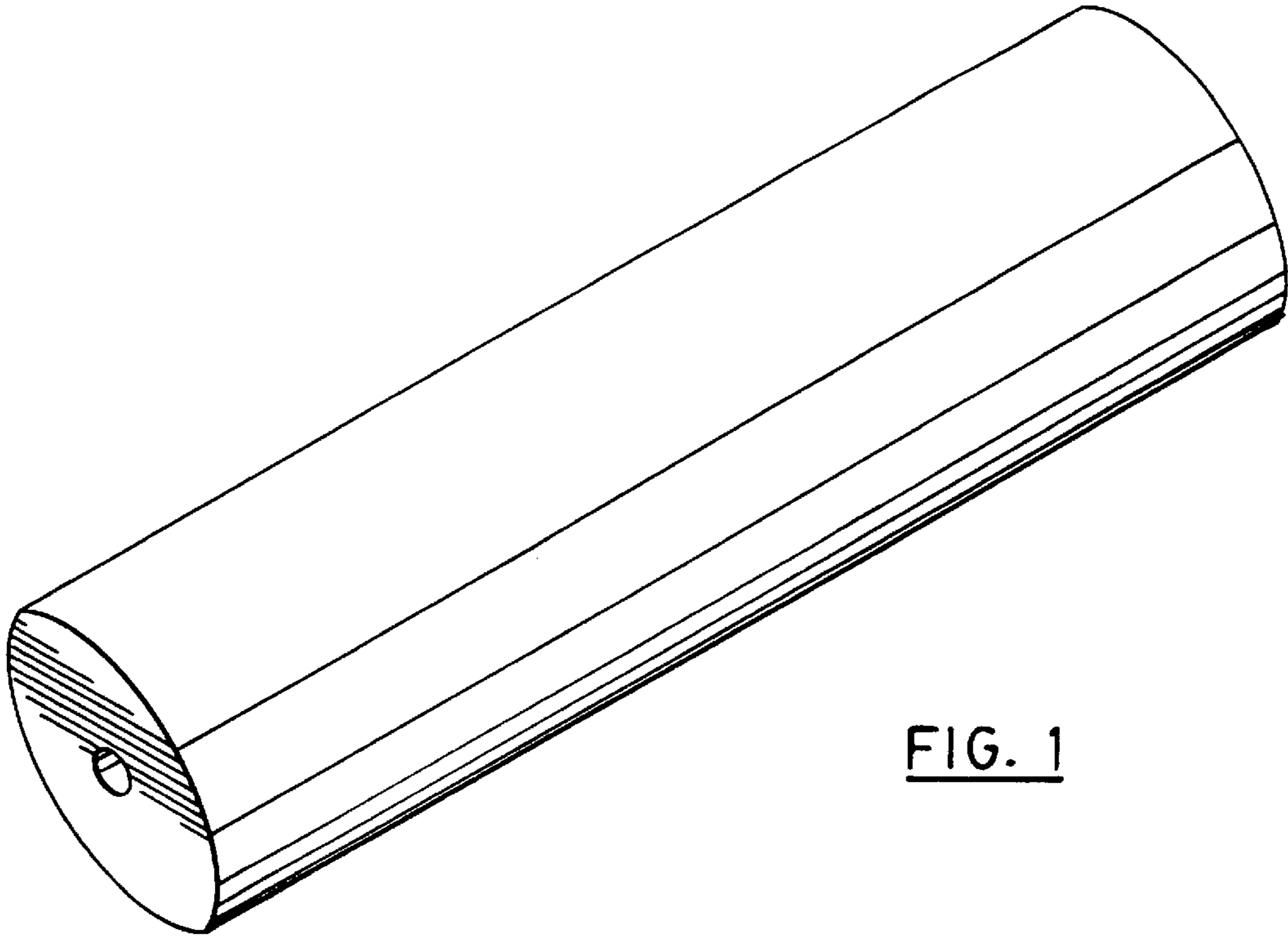


FIG. 1



FIG. 2

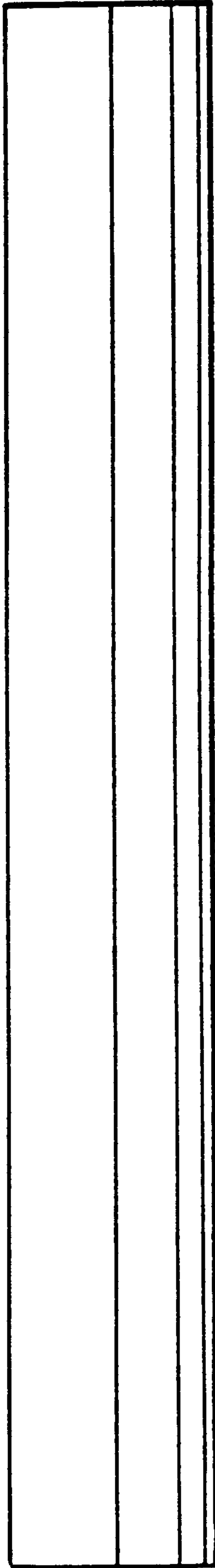


FIG. 3

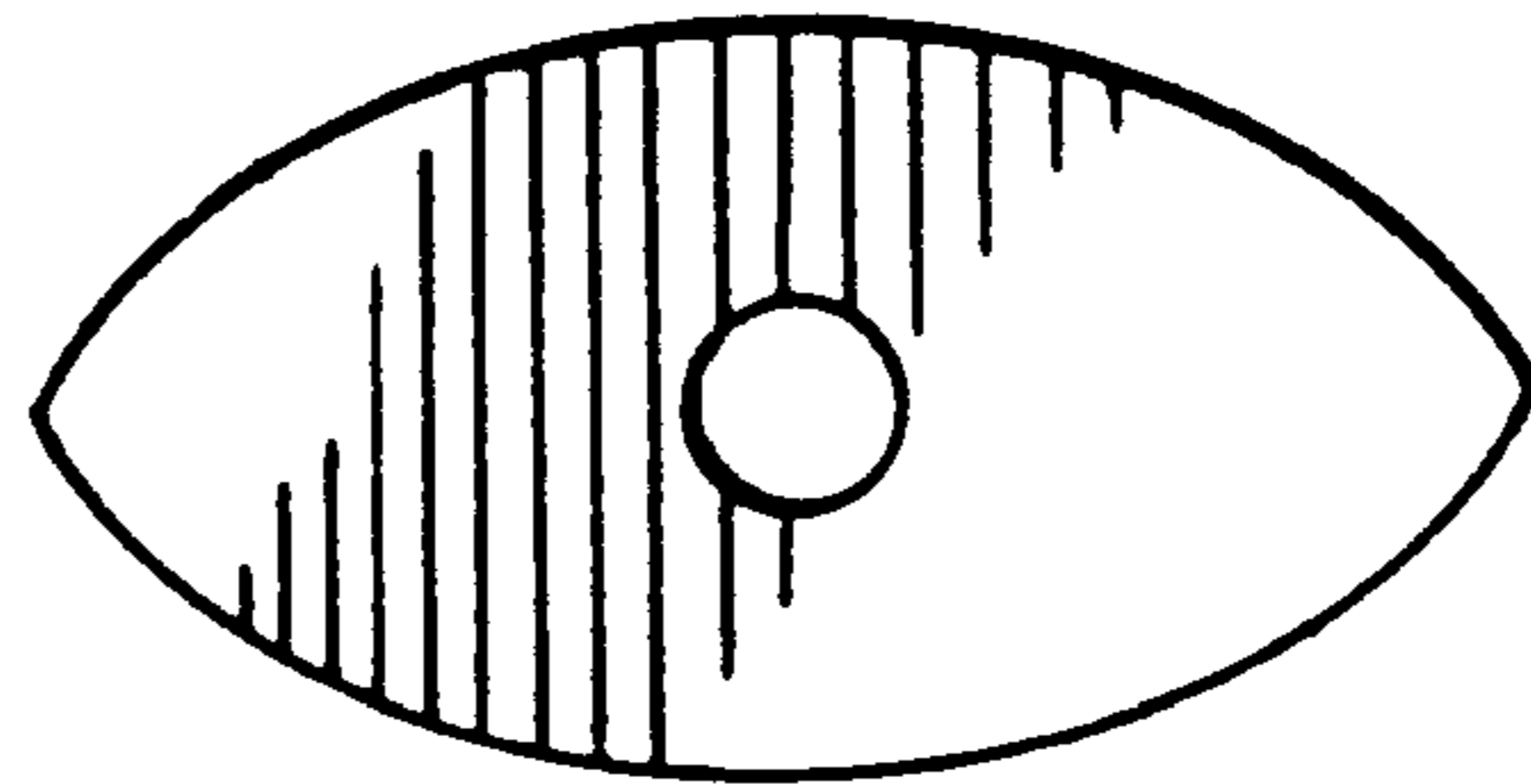


FIG. 4

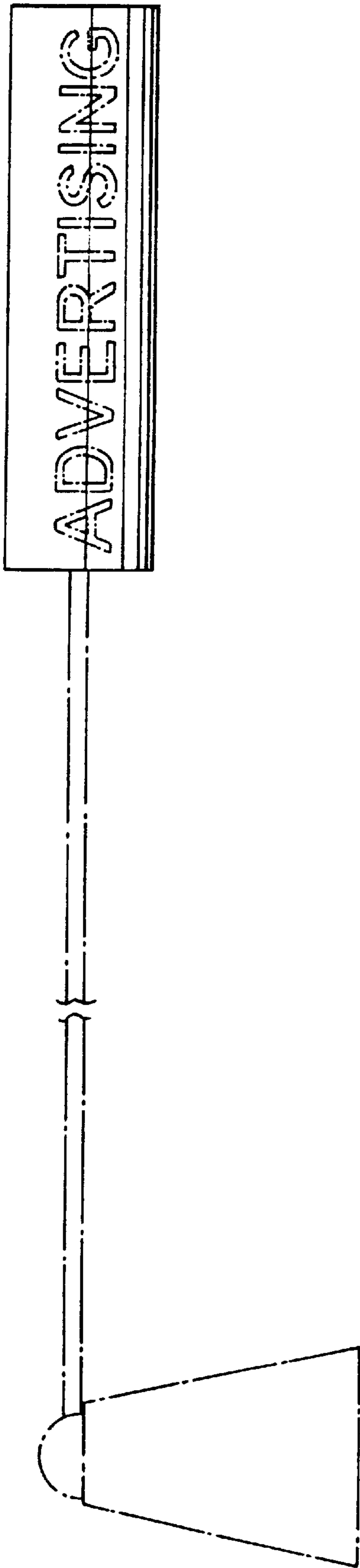


FIG. 5