



US00D474242S

(12) **United States Design Patent**
Barnes

(10) **Patent No.:** **US D474,242 S**

(45) **Date of Patent:** **** May 6, 2003**

(54) **SURFACE PORTION OF ARTICLE HOUSING WITH BACKLIT LOGO**

(75) Inventor: **Ron Barnes**, Honolulu, HI (US)

(73) Assignee: **Sun Microsystems, Inc.**, Santa Clara, CA (US)

(**) Term: **14 Years**

(21) Appl. No.: **29/150,872**

(22) Filed: **Nov. 30, 2001**

(51) **LOC (7) Cl.** **20-02**

(52) **U.S. Cl.** **D20/10**

(58) **Field of Search** D10/114; D20/10-11,
D20/13, 15, 22, 27, 32, 39, 40-44, 99;
D26/118; 40/124.02, 501, 559-560, 568,
579-580

(56) **References Cited**

U.S. PATENT DOCUMENTS

| | | | | | | |
|-----------|----|---|---------|------------------|-------|---------|
| 1,932,494 | A | * | 10/1933 | Walters | | 40/580 |
| 2,061,805 | A | * | 11/1936 | Newman | | 40/579 |
| D352,964 | S | * | 11/1994 | Schlotterback | | D10/114 |
| 5,641,221 | A | * | 6/1997 | Schindele et al. | | 362/501 |
| 6,205,691 | B1 | * | 3/2001 | Urda et al. | | 40/559 |
| D462,477 | S | * | 9/2002 | Osborne | | D26/118 |

OTHER PUBLICATIONS

Sun Microsystems Trademark, Registration Nos. 2368045, Dated Jul. 18, 2000 and 2383099, Dated Sep. 5, 2000.*
Sun Microsystems Service Mark Registration Nos. 2463402, Dated Jun. 26, 2001 and 2497599, Dated Oct. 16, 2001.*

* cited by examiner

Primary Examiner—Robert M. Spear
(74) *Attorney, Agent, or Firm*—Meyertons Hood Kivlin Kowert & Goetzel, P.C.; B Noël Kivlin

(57) **CLAIM**

The ornamental design for a surface portion of article housing with backlit logo, as shown and described.

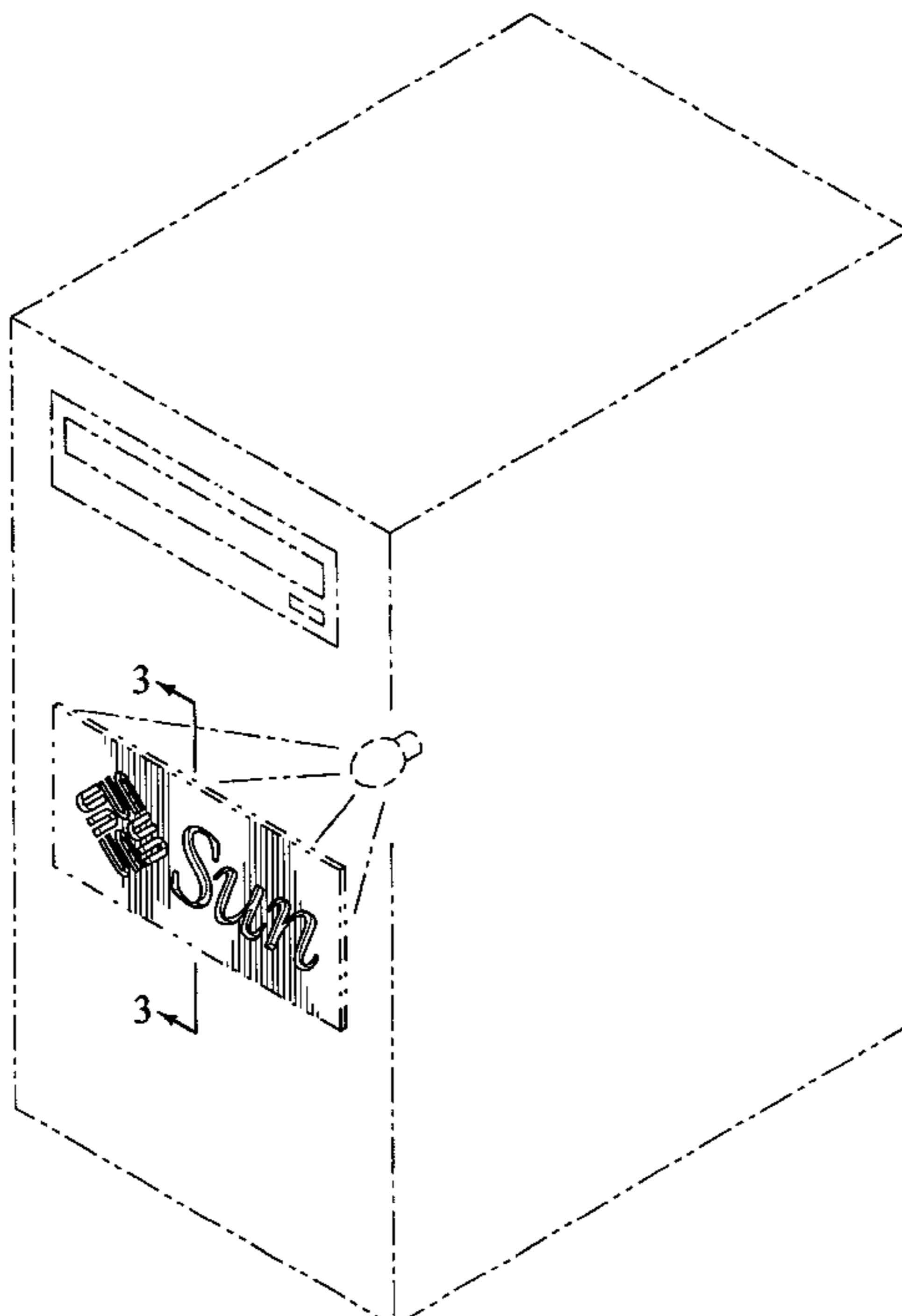
DESCRIPTION

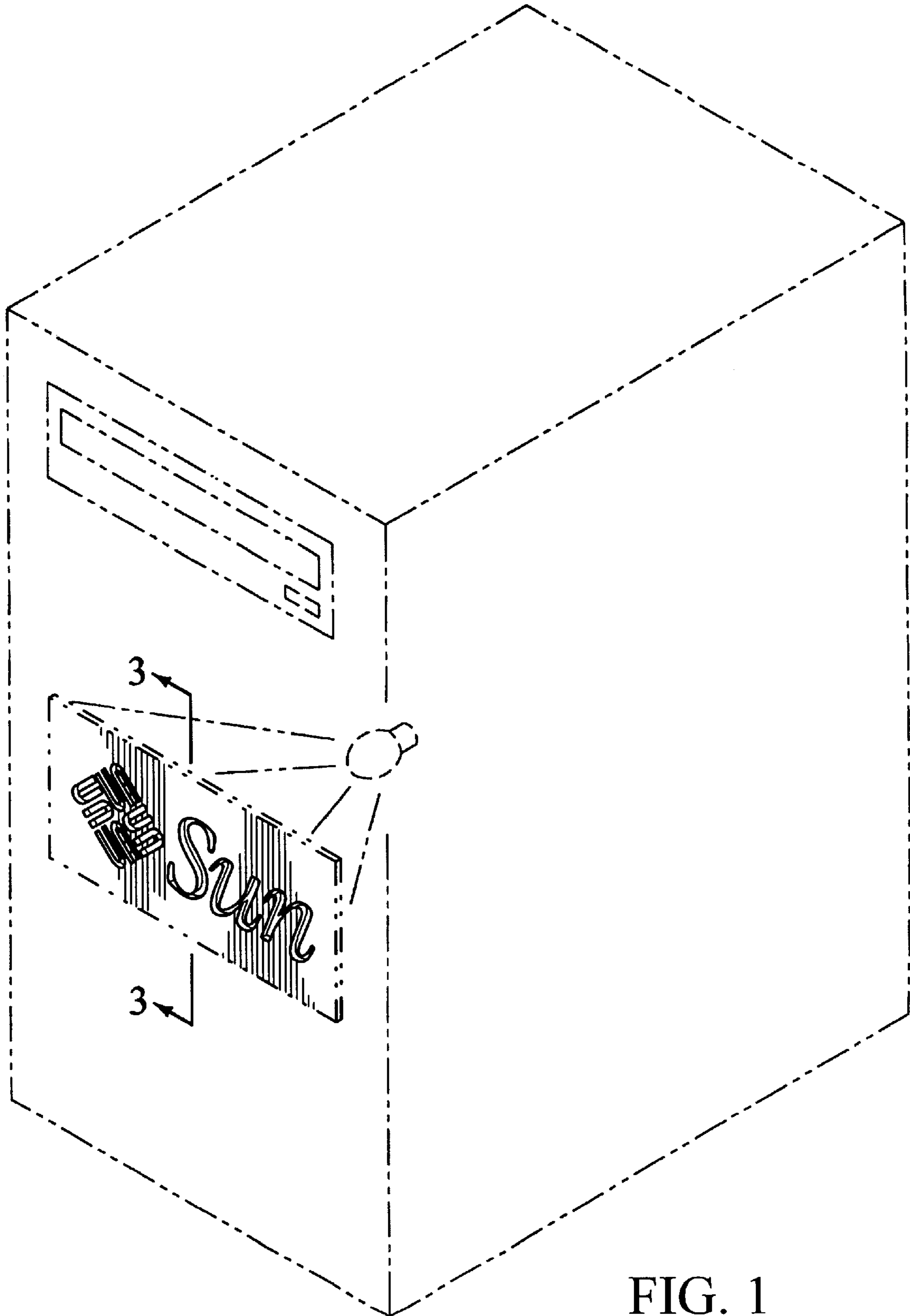
FIG. 1 is a front perspective view of a surface portion of article housing with backlit logo embodying my new design; FIG. 2 is a front perspective view of an alternative embodiment of the design shown in FIG. 1; FIG. 3 is a cross-sectional view taken on the 3—3 line in FIG. 1; FIG. 4 is a cross-sectional view taken on the 4—4 line in FIG. 2; FIG. 5 is a front view of the surface portion of article housing with backlit logo of FIG. 1; FIG. 6 is a front view of the surface portion of article housing with backlit logo of FIG. 2; FIG. 7 is a rear perspective view of the surface portion of article housing with backlit logo of FIG. 1; and, FIG. 8 is a rear perspective view of the surface portion of article housing with backlit logo of FIG. 2.

The broken lines shown in the drawings depict environmental structure and form no part of the claimed design.

The combined word “Sun” and adjacent stylized “four-S” design forming part of the claimed design is a registered trademark and service mark of Sun Microsystems, Inc., Palo Alto, CA.

1 Claim, 6 Drawing Sheets





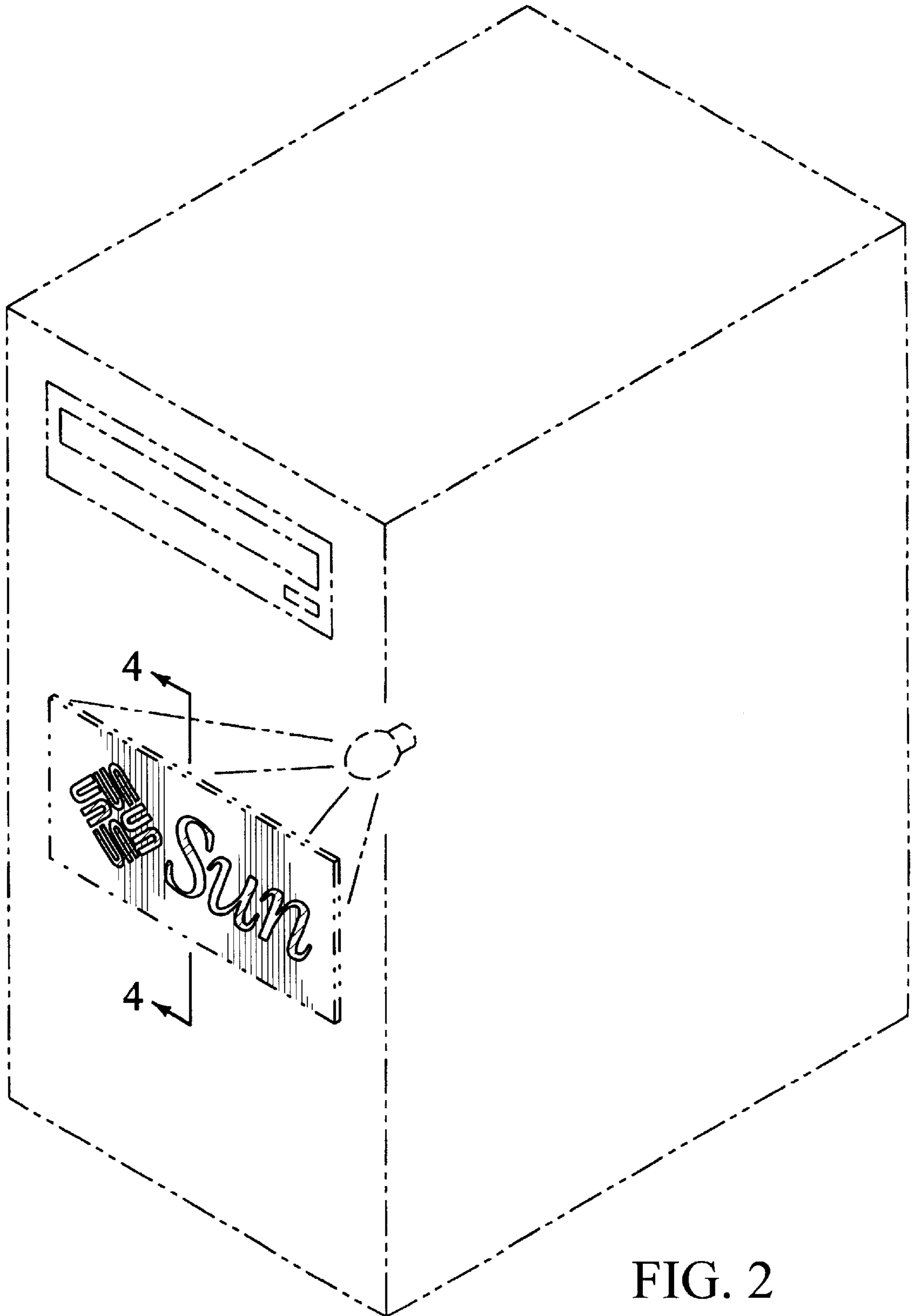


FIG. 2

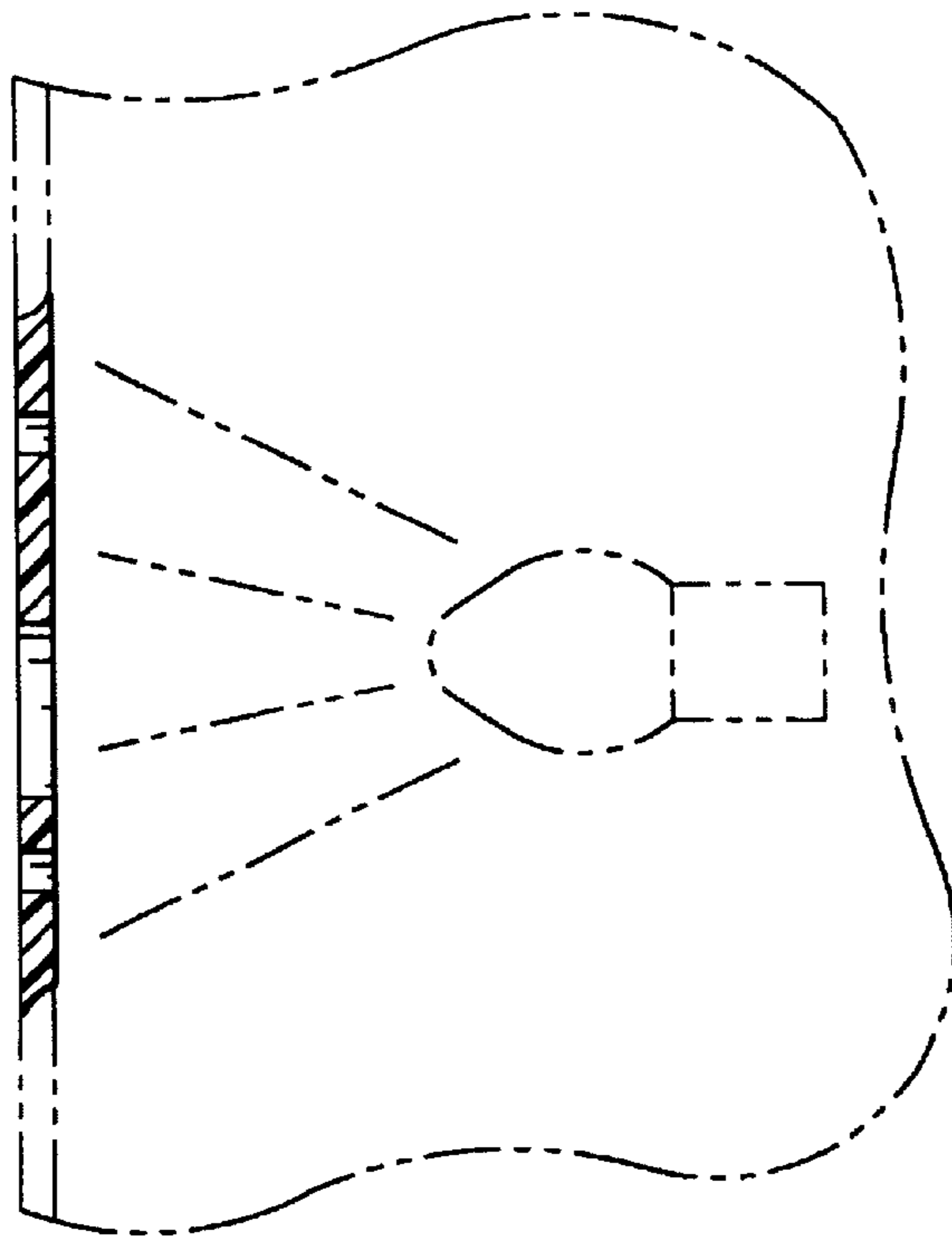


FIG. 3

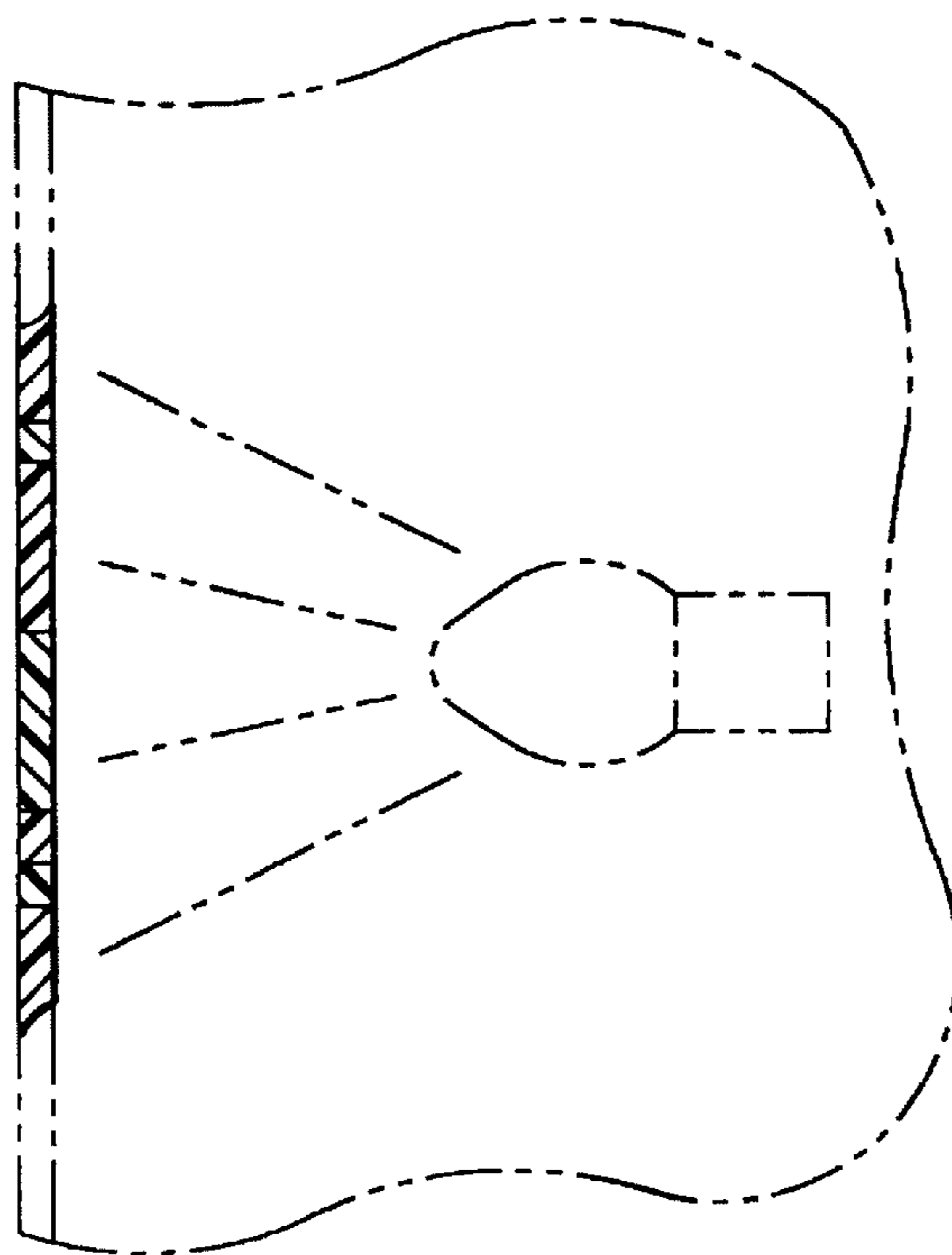


FIG. 4

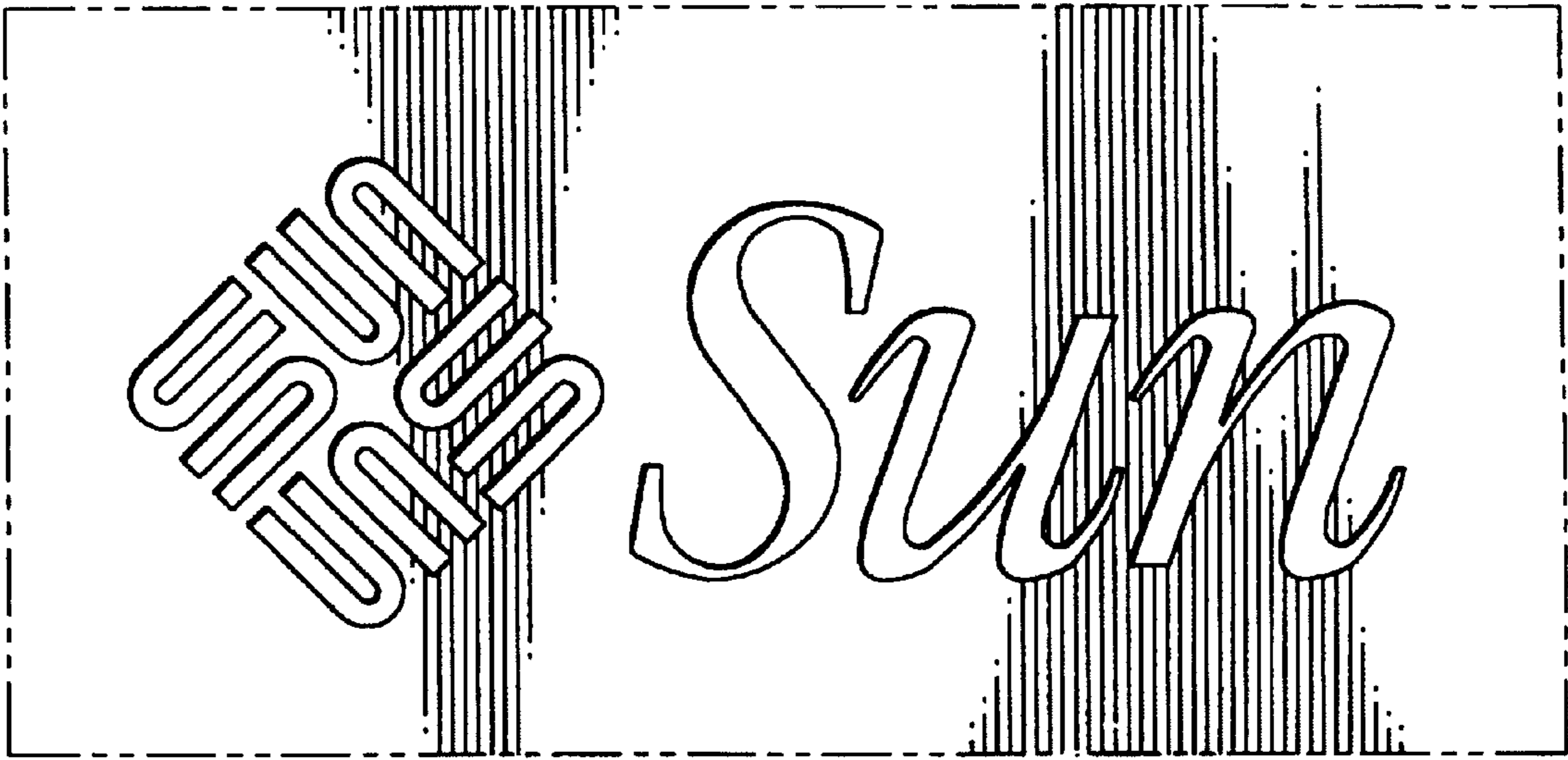


FIG. 5

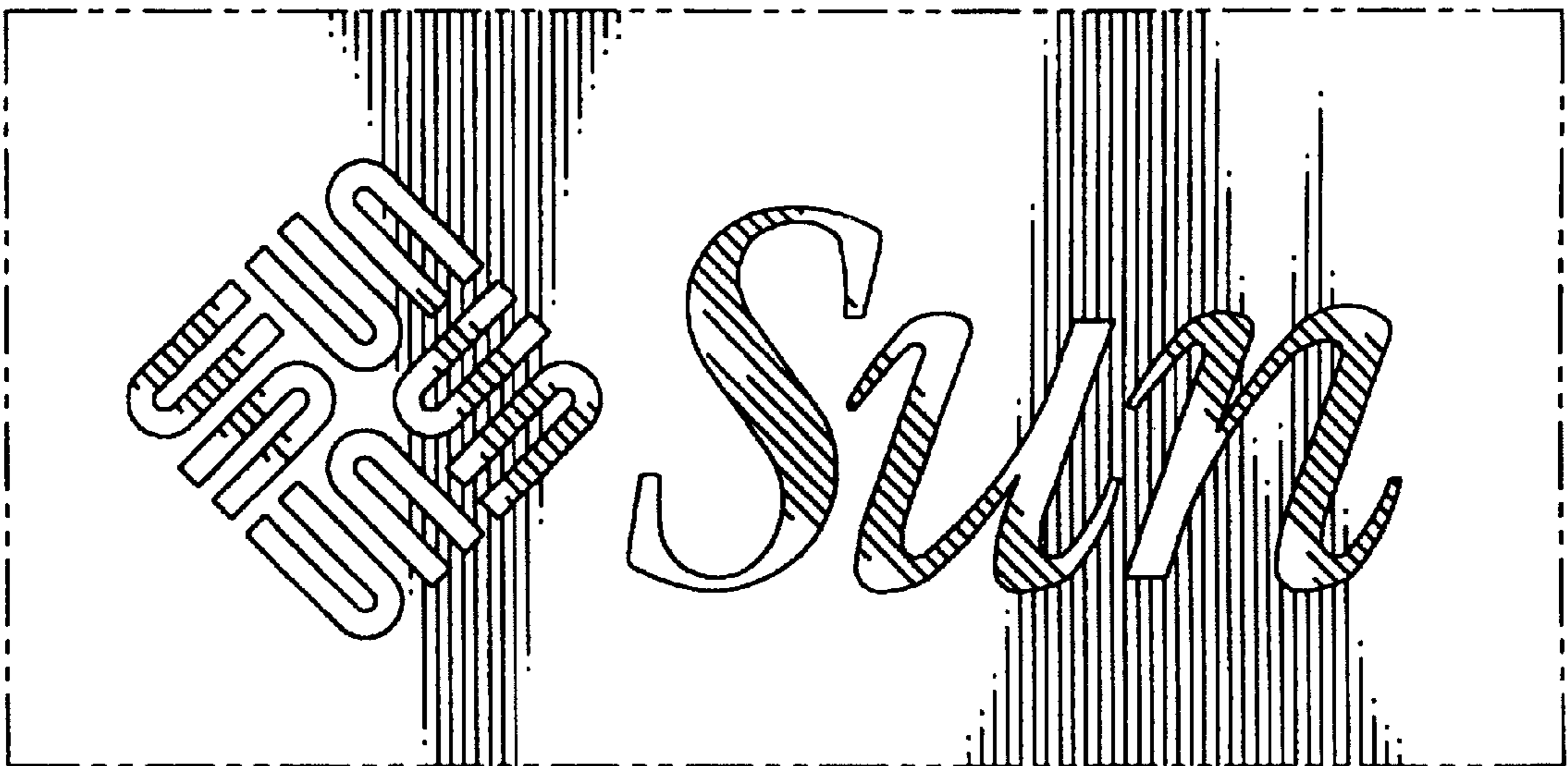


FIG. 6

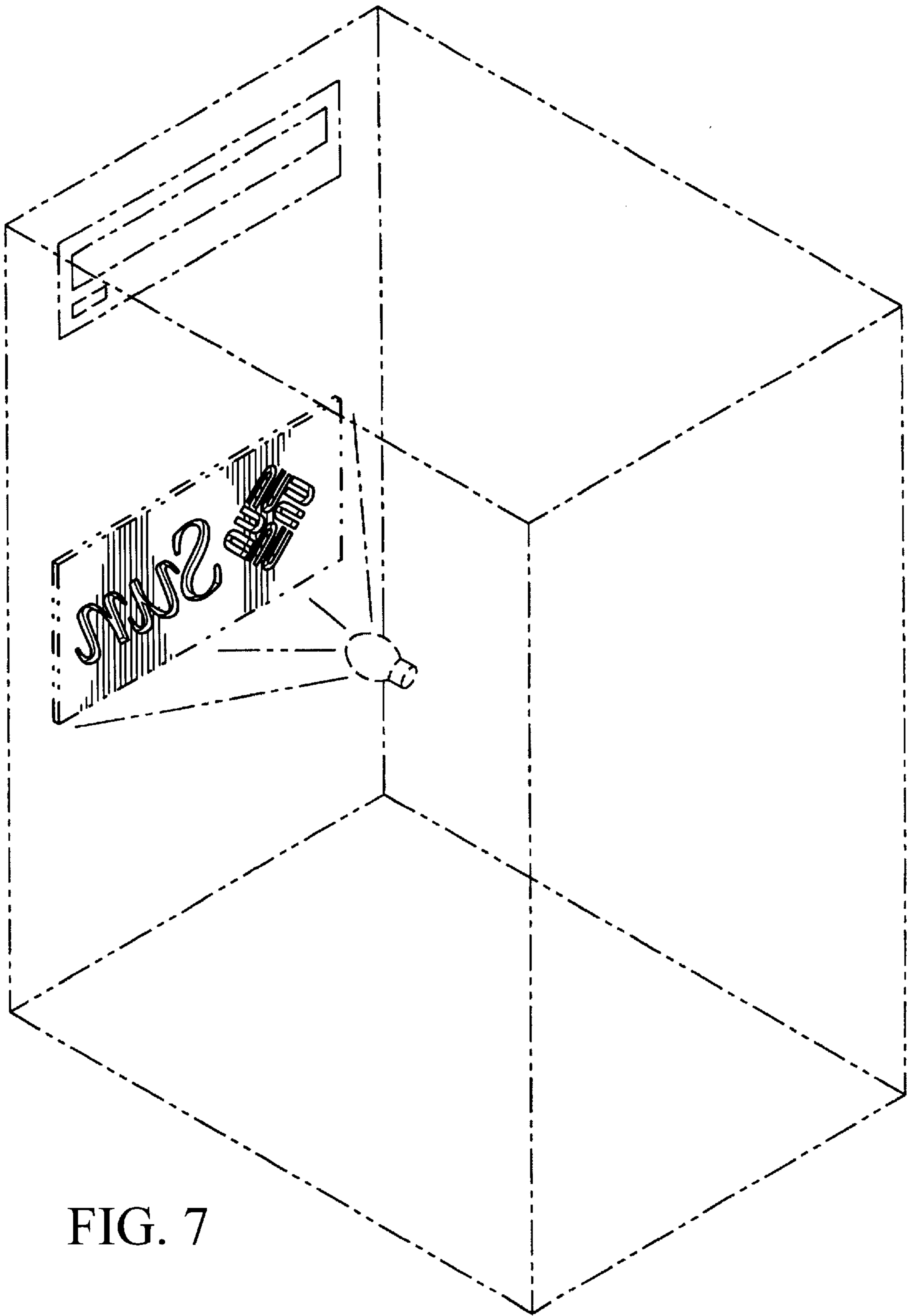


FIG. 7

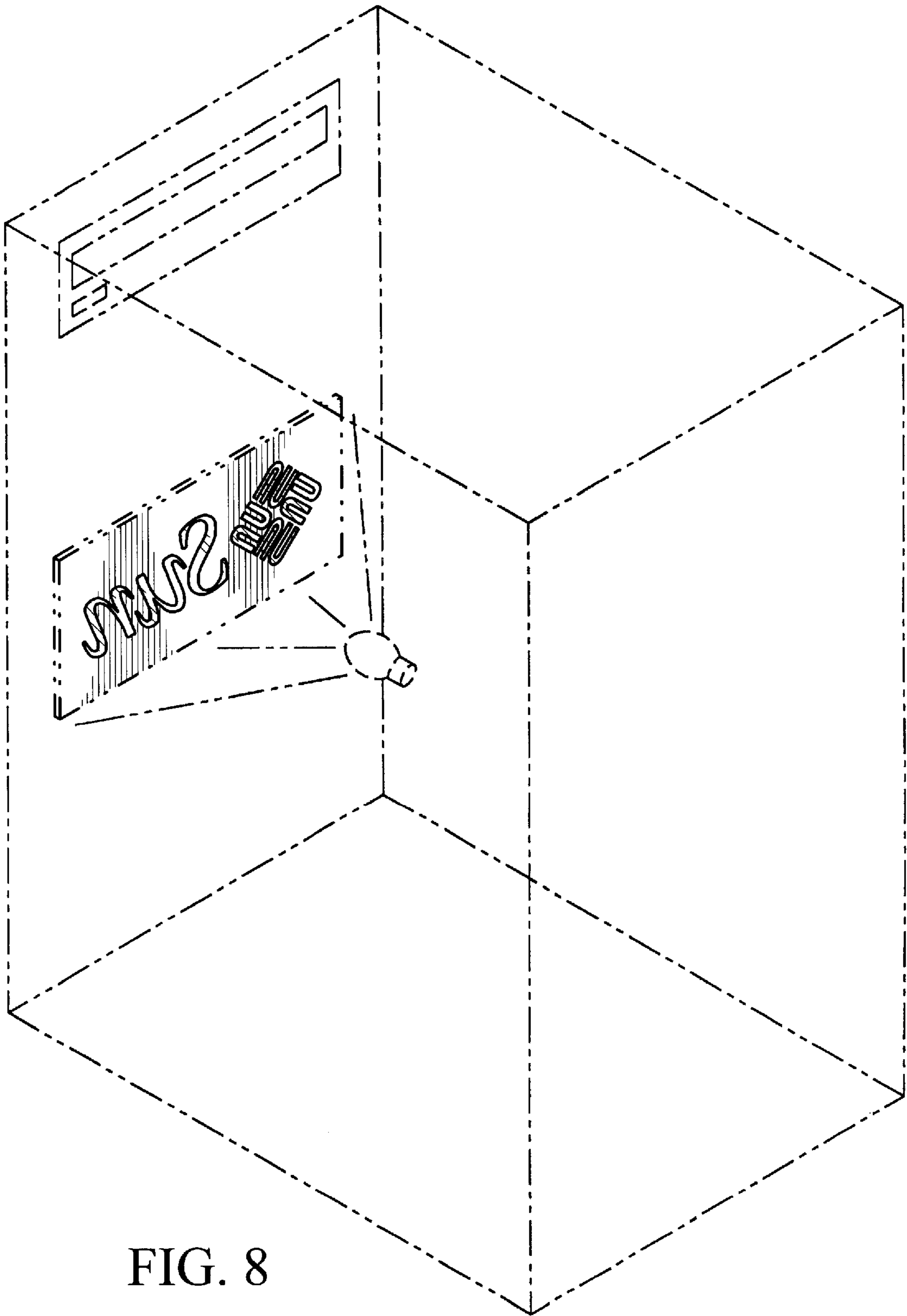


FIG. 8