



US00D474234S

(12) **United States Design Patent**
Nelms et al.

(10) **Patent No.: US D474,234 S**

(45) **Date of Patent: ** May 6, 2003**

- (54) **CREDIT CARD AND CASE**
- (75) Inventors: **David Nelms**, Lake Forest, IL (US);
Betty Schick, Lake Villa, IL (US); **Kim Wilson**, Highland Park, IL (US)
- (73) Assignee: **Discover Financial Services, Inc.**,
Riverwoods, IL (US)
- (**) Term: **14 Years**

D453,339 S	2/2002	Pentz	D14/436
D453,516 S	2/2002	Pentz	D14/436
D453,517 S	2/2002	Pentz	D14/436
D456,814 S	5/2002	Pentz	D14/436
D460,454 S	7/2002	Pentz	D14/436
D460,455 S	7/2002	Pentz	D14/436
D462,965 S	9/2002	Pentz	D14/436
D462,966 S	9/2002	Pentz et al.	D14/436
2002/0092914 A1	7/2002	Pentz et al.	235/487

FOREIGN PATENT DOCUMENTS

- (21) Appl. No.: **29/146,805**
- (22) Filed: **Aug. 16, 2001**
- (51) **LOC (7) Cl.** **19-08**
- (52) **U.S. Cl.** **D19/9**
- (58) **Field of Search** D3/207, 208, 247;
D19/1, 9, 10, 11; D20/22, 27, 40, 28; 235/380,
382, 449, 454, 487, 488; 281/38; 283/67,
74, 81, 101, 107, 108, 109, 110, 904; 360/2;
428/916; D14/435, 436, 437, 438

DE	298 02 638 U1	6/1998
DE	298 12 046 U1	11/1998
EP	0 379 921 A2	8/1990
EP	1 221 518 A2	7/2002
FR	2 794 059	12/2000
JP	2000-113136 A1	4/2000
WO	WO02/067190 A2	8/2002

* cited by examiner

Primary Examiner—Doris V. Coles
Assistant Examiner—Elizabeth Albert
 (74) *Attorney, Agent, or Firm*—Sidley Austin Brown & Wood LLP

(56) **References Cited**

U.S. PATENT DOCUMENTS

1,730,246 A	*	10/1929	Salfisberg	D3/207
4,100,011 A		7/1978	Foote	156/272
4,739,877 A		4/1988	Olson	206/38.1
4,829,690 A		5/1989	Andros	40/642
D314,865 S	*	2/1991	Tuisku	D3/247
5,020,255 A		6/1991	Rodel	40/654
5,217,056 A	*	6/1993	Ritter	206/39
5,520,230 A		5/1996	Sumner, III	150/147
D372,358 S		8/1996	Mathison	D3/247
5,718,329 A		2/1998	Ippolito et al.	206/38
D393,150 S	*	4/1998	Swanston et al.	D3/247
D396,882 S		8/1998	Neal, Jr.	D19/10
D419,289 S		1/2000	Edwards	D3/208
6,155,410 A		12/2000	Davis	206/39.5
D436,991 S		1/2001	Morgante	D19/9
6,248,199 B1		6/2001	Smulson	156/244.12
D453,160 S		1/2002	Pentz et al.	D14/436
D453,161 S		1/2002	Pentz	D14/436
D453,336 S		2/2002	Pentz et al.	D14/436
D453,337 S		2/2002	Pentz et al.	D14/436
D453,338 S		2/2002	Pentz et al.	D14/436

(57) **CLAIM**

The ornamental design for a credit card and case, as shown and described.

DESCRIPTION

FIG. 1 is a top plan view of the credit card and case showing the credit card separately for purposes of illustration; FIG. 2 is a side elevational view of FIG. 1; FIG. 3 is a top plan view showing the case separately for purposes of illustration; FIG. 4 is a side elevational view of FIG. 3; FIG. 5 is a top plan view of the credit card and case shown together in assembled condition; and, FIG. 6 is a perspective view of FIG. 5 in combination with a key and ring.
 The broken lines showing environment in FIG. 6 are for illustrative purposes only and form no part of the claimed design.

1 Claim, 2 Drawing Sheets

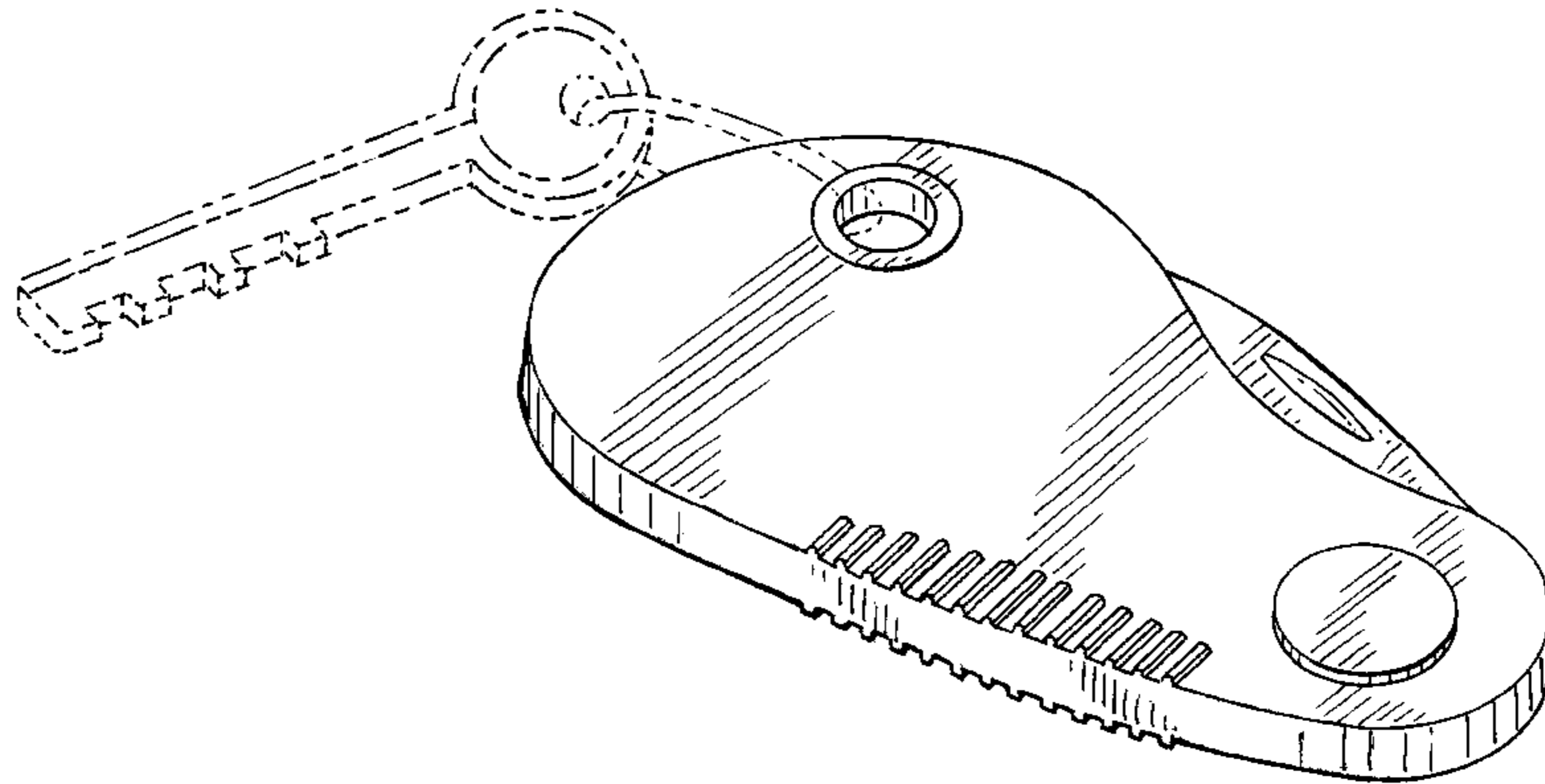


FIG. 1

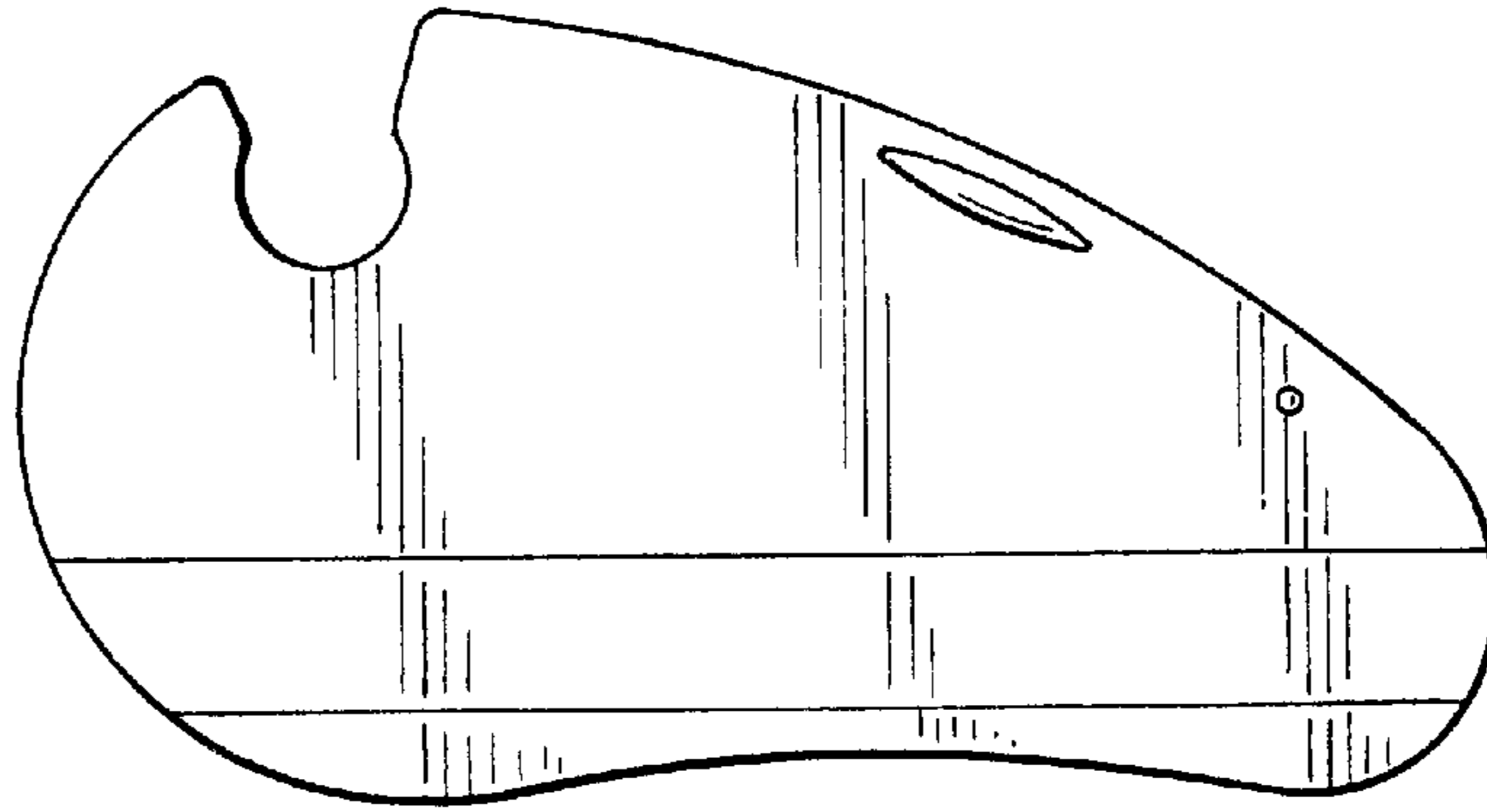


FIG. 2

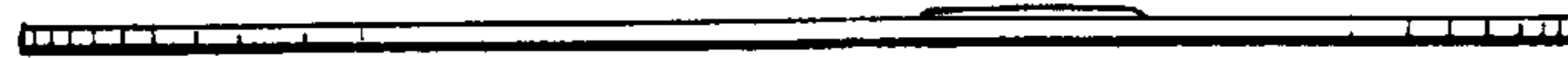


FIG. 3

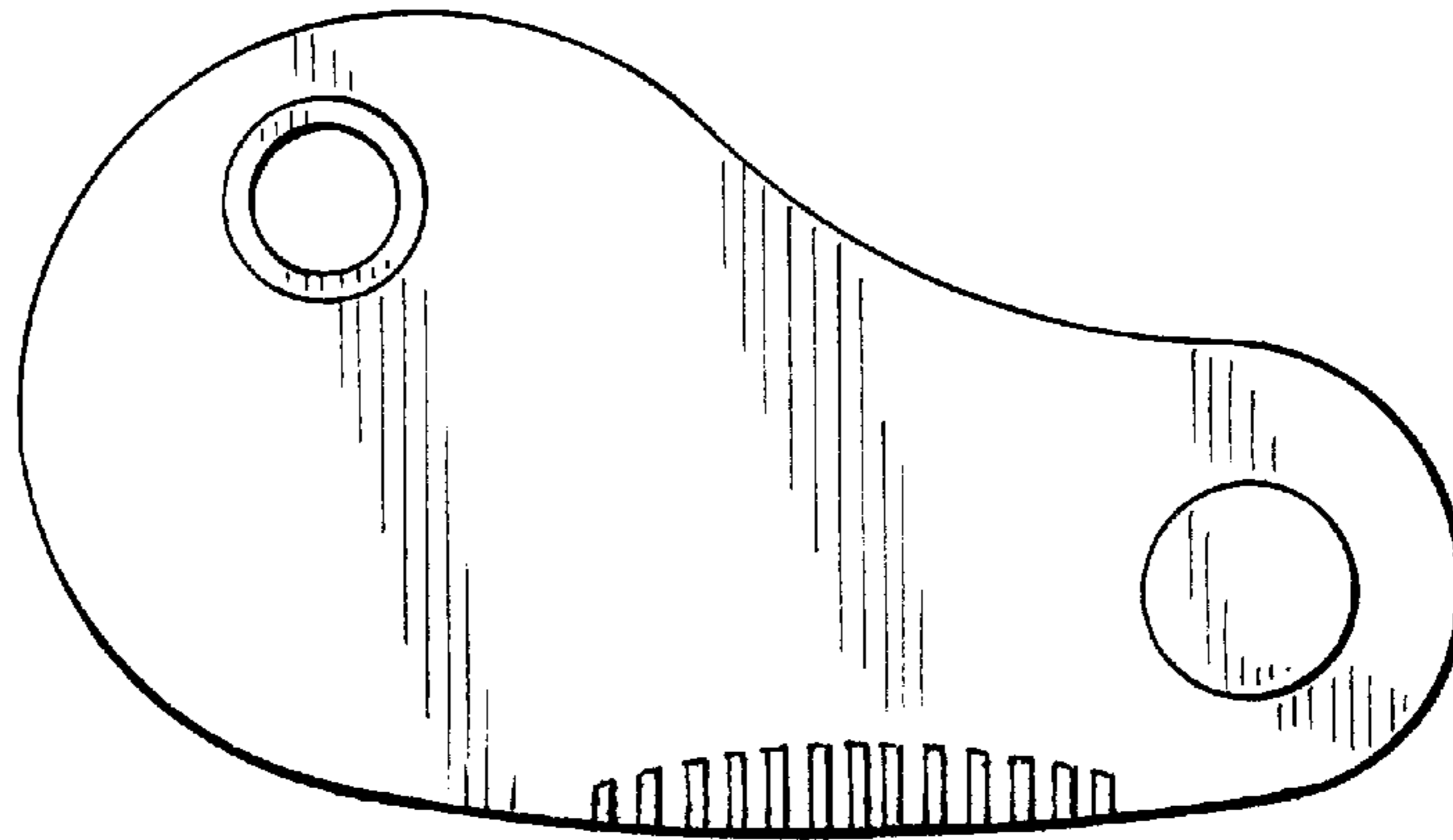


FIG. 4

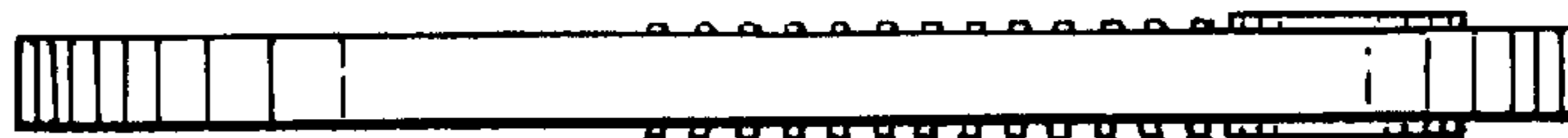


FIG. 5

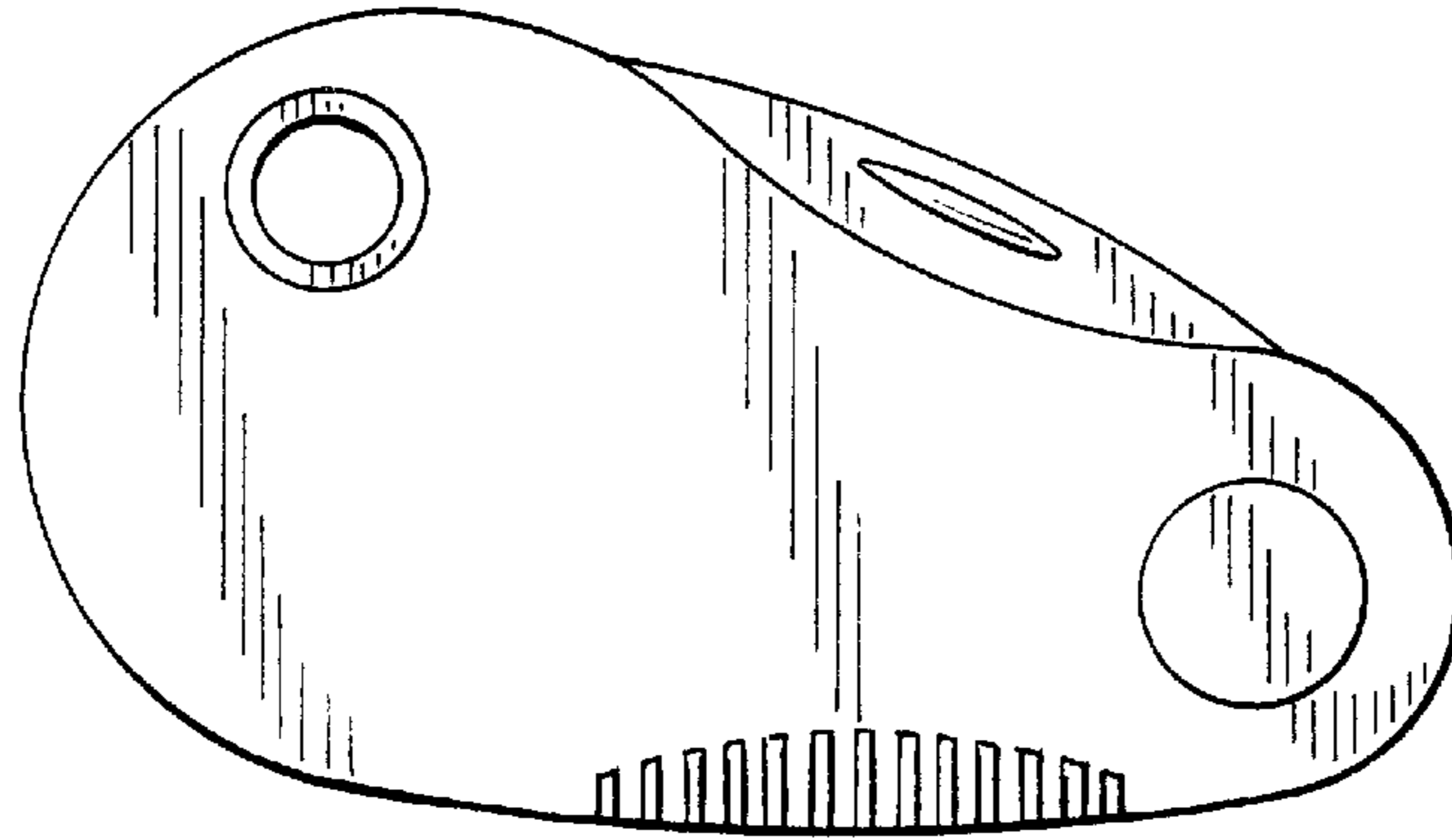


FIG. 6

