



US00D474233S

(12) **United States Design Patent**
Isomoto

(10) **Patent No.:** **US D474,233 S**

(45) **Date of Patent:** **** May 6, 2003**

(54) **COMPUTER PRINTER**

(75) Inventor: **Masataka Isomoto**, Yokohama (JP)

(73) Assignee: **Canon Kabushiki Kaisha**, Tokyo (JP)

(**) Term: **14 Years**

(21) Appl. No.: **29/159,814**

(22) Filed: **Apr. 30, 2002**

(30) **Foreign Application Priority Data**

Nov. 6, 2001 (JP) 2001-032689

(51) **LOC (7) Cl.** **18-02**

(52) **U.S. Cl.** **D18/50; D18/56**

(58) **Field of Search** D18/36-39, 50,
D18/53, 54-55; 400/613, 613.1-613.4,
691-694, 690.1-690.4

(56) **References Cited**

U.S. PATENT DOCUMENTS

D384,370 S	*	9/1997	Kobayashi	D18/55
D399,250 S	*	10/1998	Kawai	D18/55
D407,741 S	*	4/1999	Kusanagi	D18/55
D428,049 S	*	7/2000	Imai	D18/36
D433,440 S	*	11/2000	Takenouchi et al.	D18/39
D443,891 S	*	6/2001	Yonekawa et al.	D18/55
D446,806 S	*	8/2001	Imai	D18/36
D447,768 S	*	9/2001	Shiozaki et al.	D18/53

OTHER PUBLICATIONS

U.S. patent application Ser. No. 29/160,981, filed May 21, 2002, pending.

U.S. patent application Ser. No. 29/160,982, filed May 21, 2002, pending.

* cited by examiner

Primary Examiner—Cathy Anne MacCormac

(74) *Attorney, Agent, or Firm*—Fitzpatrick, Cella, Harper & Scinto

(57) **CLAIM**

The ornamental design for a computer printer, as shown and described.

DESCRIPTION

FIG. 1 is a front view of a computer printer showing my new design;

FIG. 2 is a rear view thereof;

FIG. 3 is a top plan view thereof;

FIG. 4 is a bottom plan view thereof;

FIG. 5 is a left side view thereof;

FIG. 6 is a right side view thereof; and,

FIG. 7 is a perspective view thereof.

The broken lines are for purposes of illustration only and form no part of the claimed design.

1 Claim, 4 Drawing Sheets

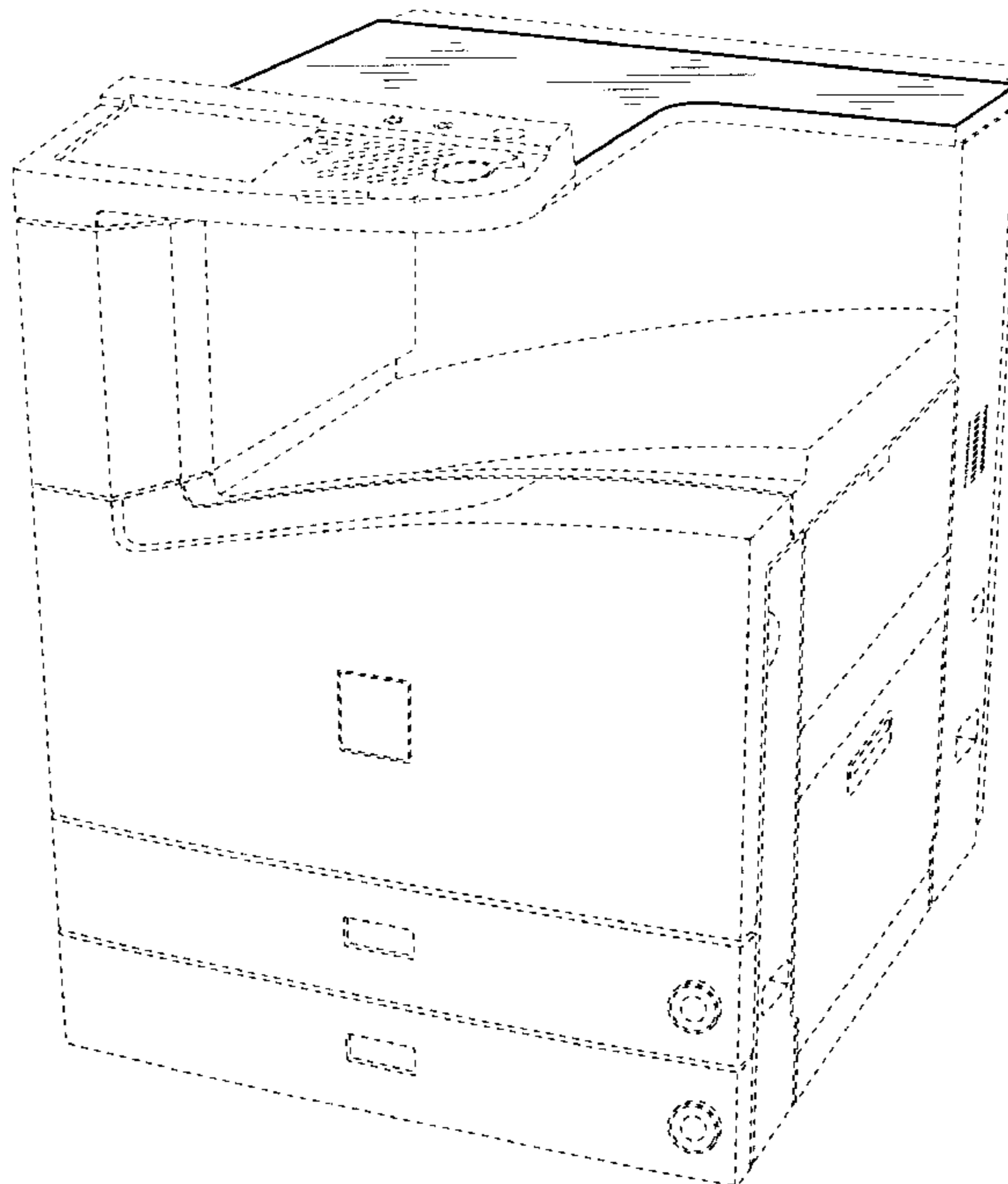
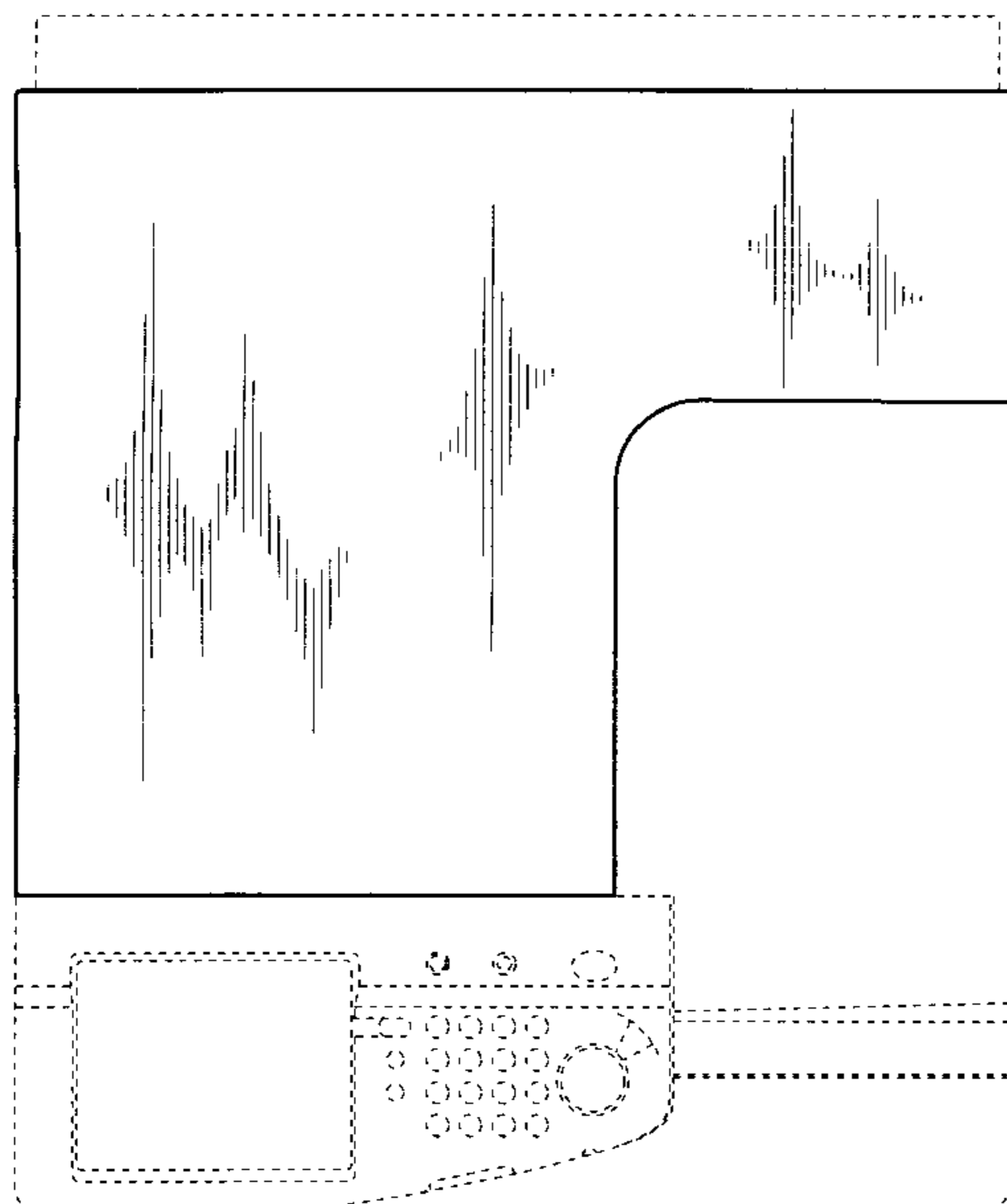


FIG. 2

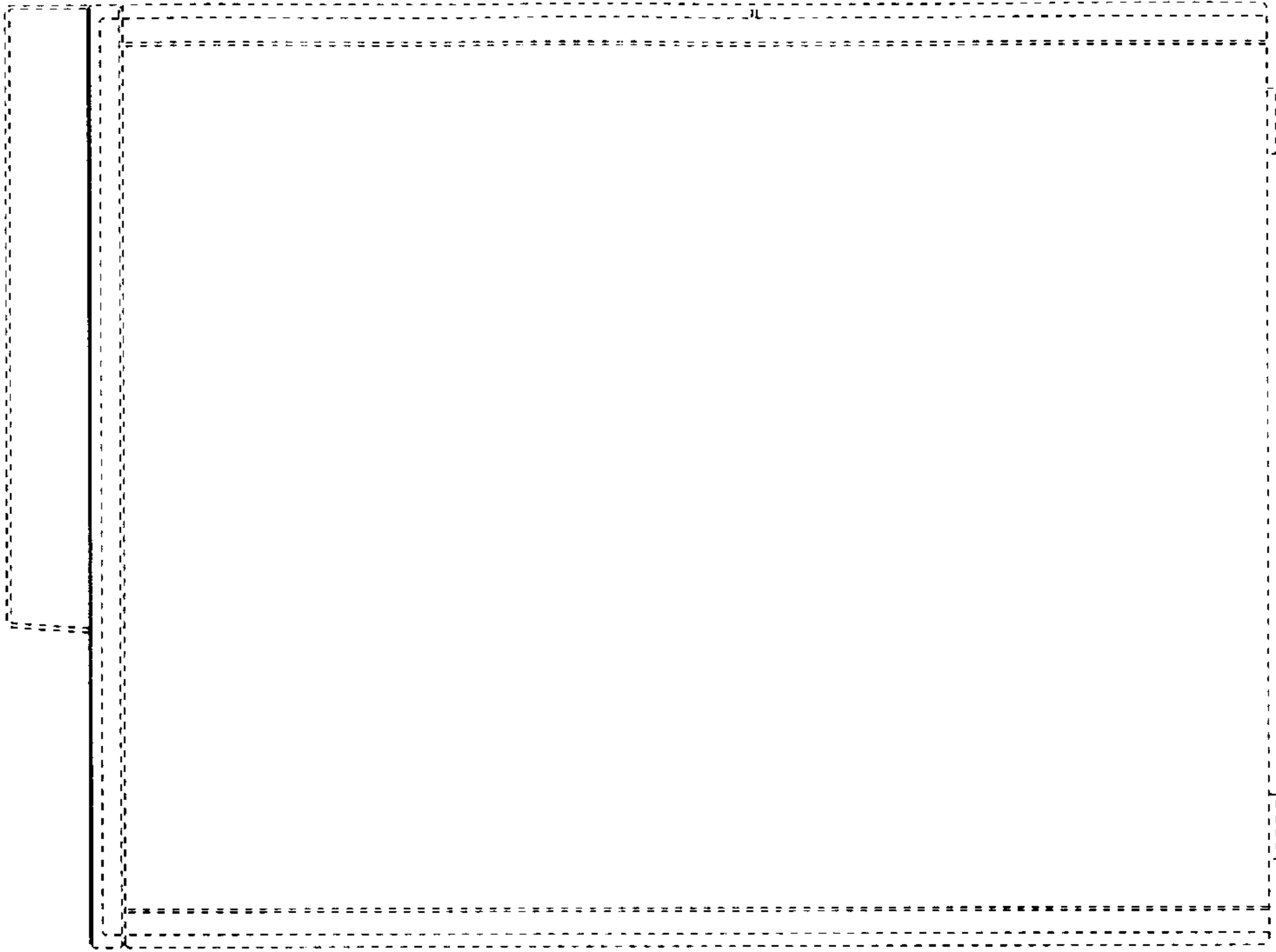


FIG. 1

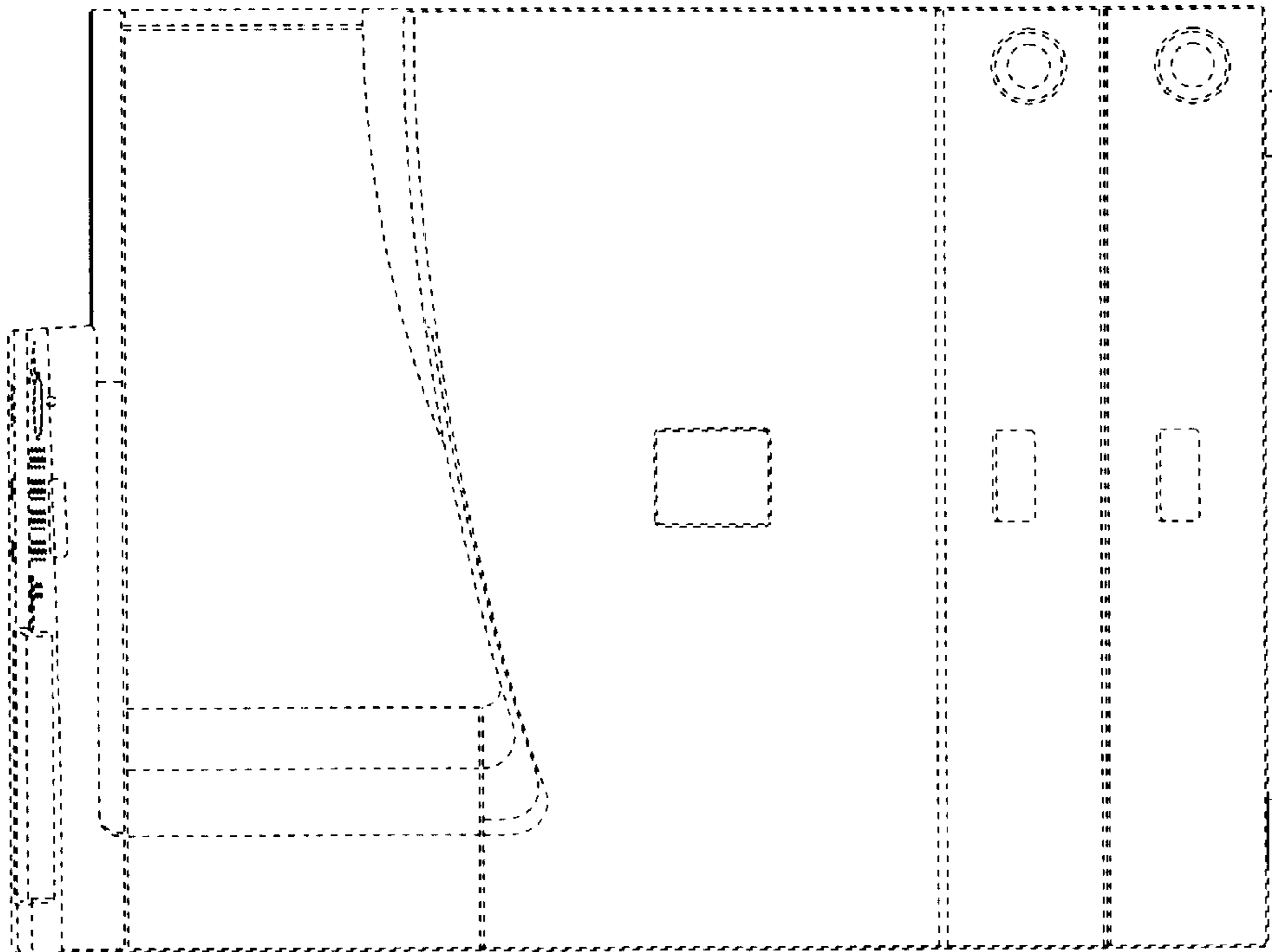


FIG. 4

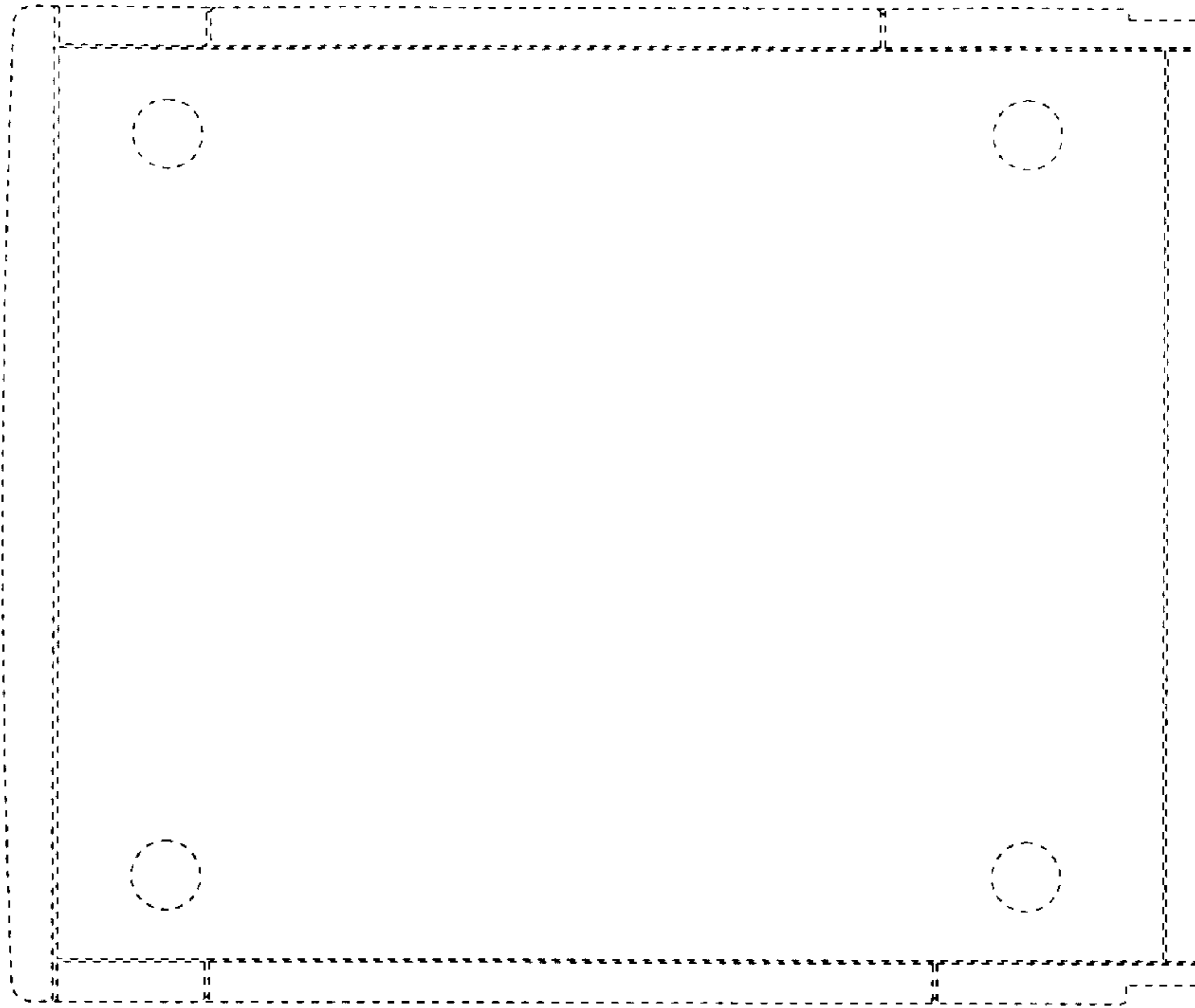


FIG. 3

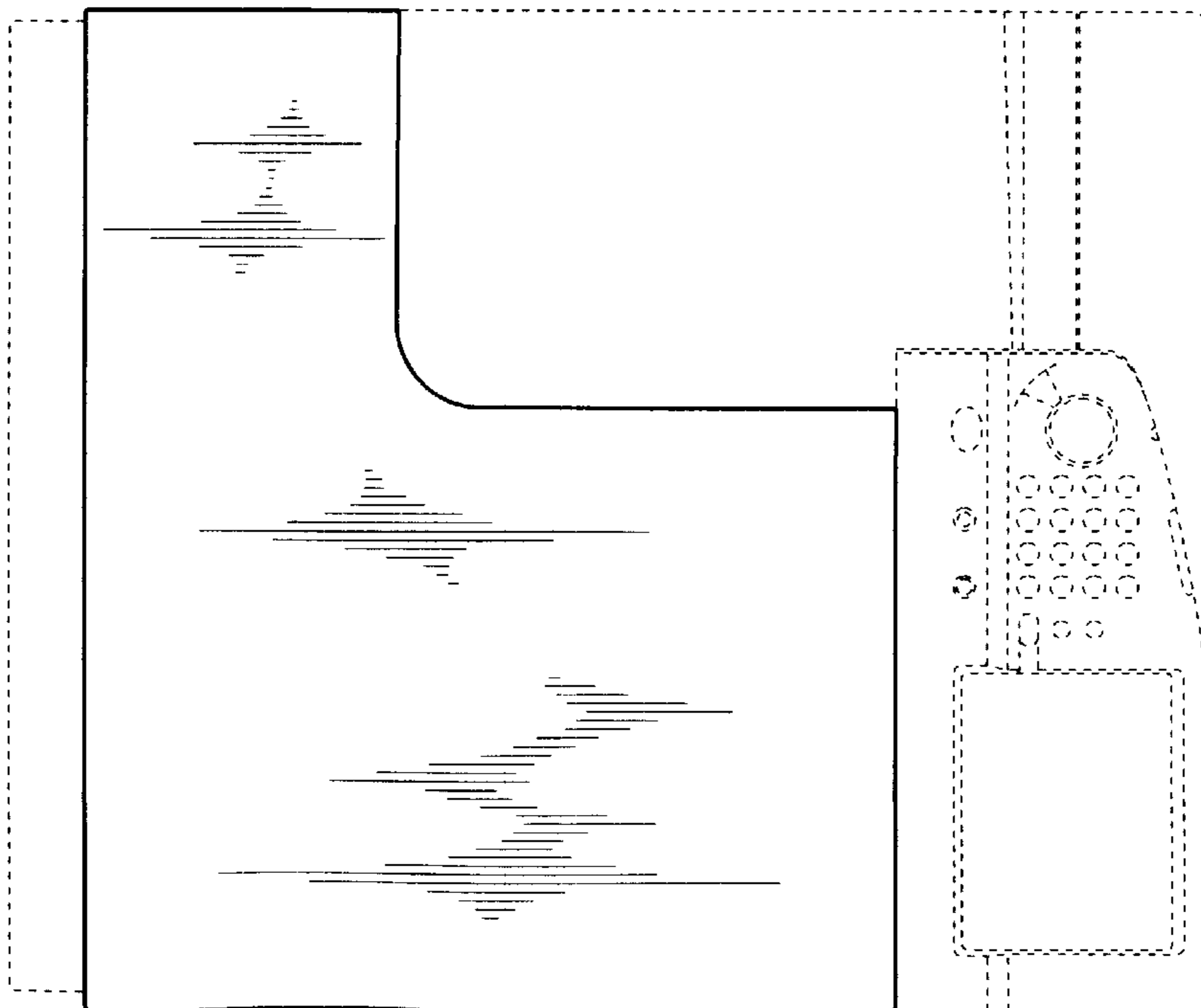


FIG. 6

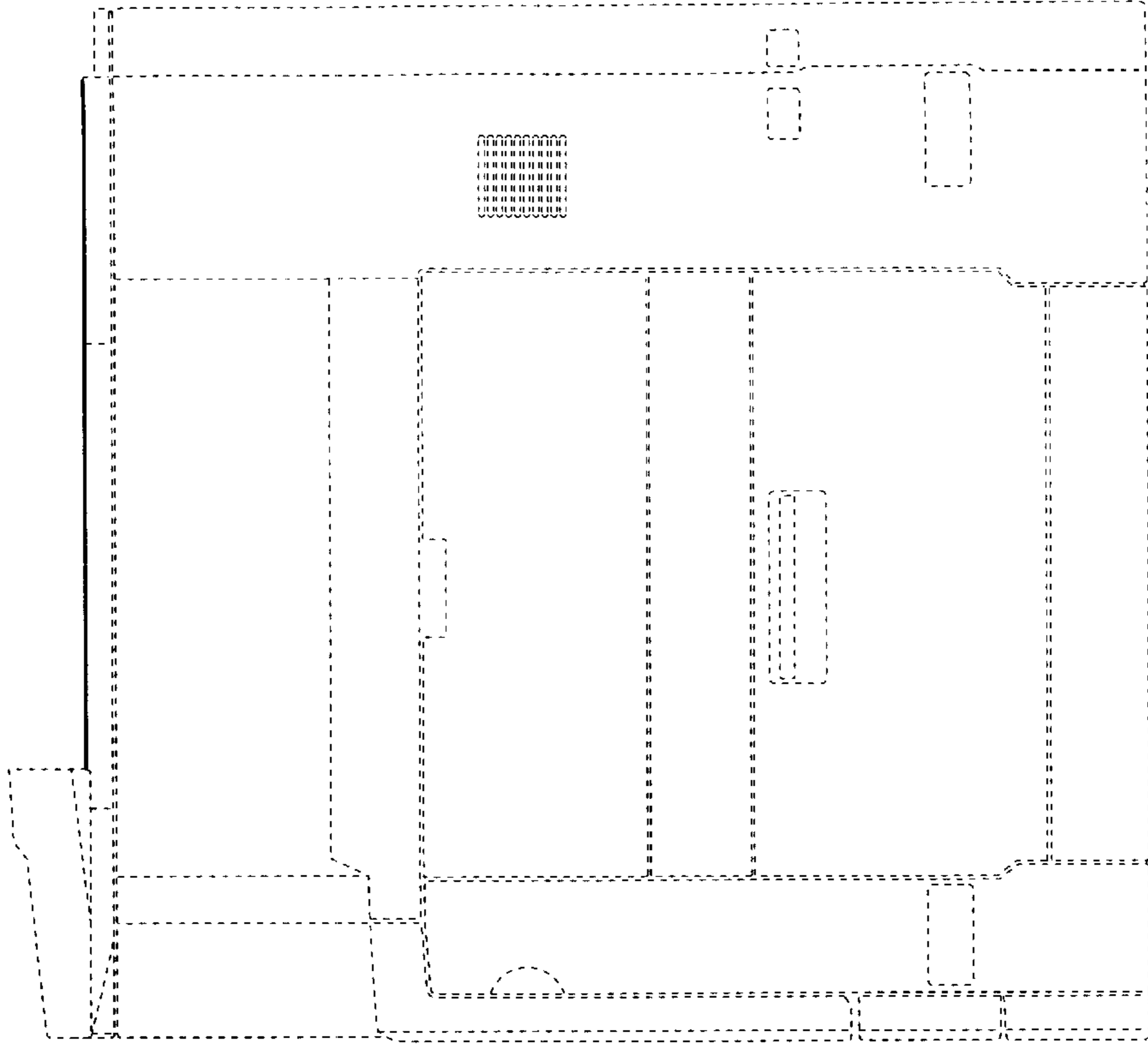


FIG. 5

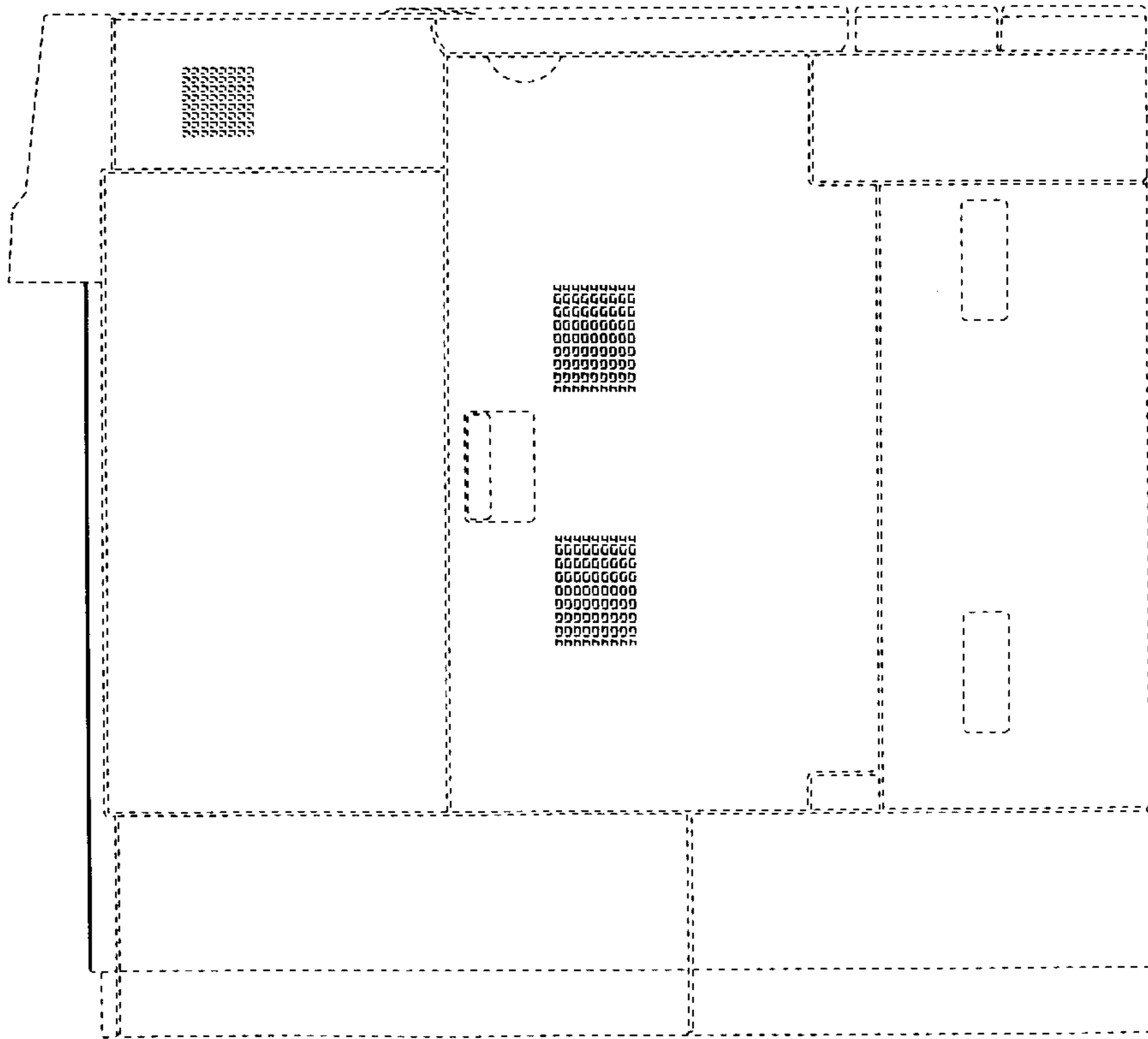


FIG. 7

