



US00D474228S

(12) **United States Design Patent**  
**Katou et al.**

(10) **Patent No.:** **US D474,228 S**

(45) **Date of Patent:** **\*\* May 6, 2003**

(54) **CASH REGISTER**

(75) Inventors: **Teruo Katou**, Kanagawa (JP); **Akira Nakajima**, Tokyo (JP); **Ichiro Arai**, Kanagawa (JP)

(73) Assignee: **Matsushita Electric Industrial Co., Ltd.**, Kadoma (JP)

(\*\*) Term: **14 Years**

(21) Appl. No.: **29/163,195**

(22) Filed: **Jun. 28, 2002**

(30) **Foreign Application Priority Data**

Feb. 1, 2002 (JP) ..... 2002-002306

(51) **LOC (7) Cl.** ..... **18-01**

(52) **U.S. Cl.** ..... **D18/4.3**

(58) **Field of Search** ..... D18/4.1-4.6; D14/336, D14/337, 341, 343, 342, 371, 374; 364/708.1; 705/15-17

(56) **References Cited**

**U.S. PATENT DOCUMENTS**

- D359,952 S \* 7/1995 Cox et al. .... D18/4.5
- D360,196 S \* 7/1995 Cox et al. .... D18/4.5
- D389,813 S \* 1/1998 Itoh ..... D18/4.5
- D420,040 S \* 2/2000 Mizusugi et al. .... D18/4.4
- D424,098 S \* 5/2000 Kim ..... D18/4.5

- D424,602 S \* 5/2000 Lin ..... D18/4.3
- D425,928 S \* 5/2000 Jobetto et al. .... D18/4.3
- D437,317 S \* 2/2001 Howarth et al. .... D14/336

**FOREIGN PATENT DOCUMENTS**

JP 1078686 7/2000

\* cited by examiner

*Primary Examiner*—Caron D. Veynar

(74) *Attorney, Agent, or Firm*—Brinks Hofer Gilson & Lione

(57) **CLAIM**

The ornamental design for a cash register, as shown.

**DESCRIPTION**

FIG. 1 is a perspective view of a cash register showing our new design.

FIG. 2 is a front view of the cash register shown in FIG. 1.

FIG. 3 is a rear view of the cash register shown in FIGS. 1-2.

FIG. 4 is a right side view of the cash register shown in FIGS. 1-3.

FIG. 5 is a left side view of the cash register shown in FIGS. 1-4.

FIG. 6 is a top view of the cash register shown in FIGS. 1-5; and,

FIG. 7 is a bottom view of the cash register shown in FIGS. 1-6.

**1 Claim, 4 Drawing Sheets**

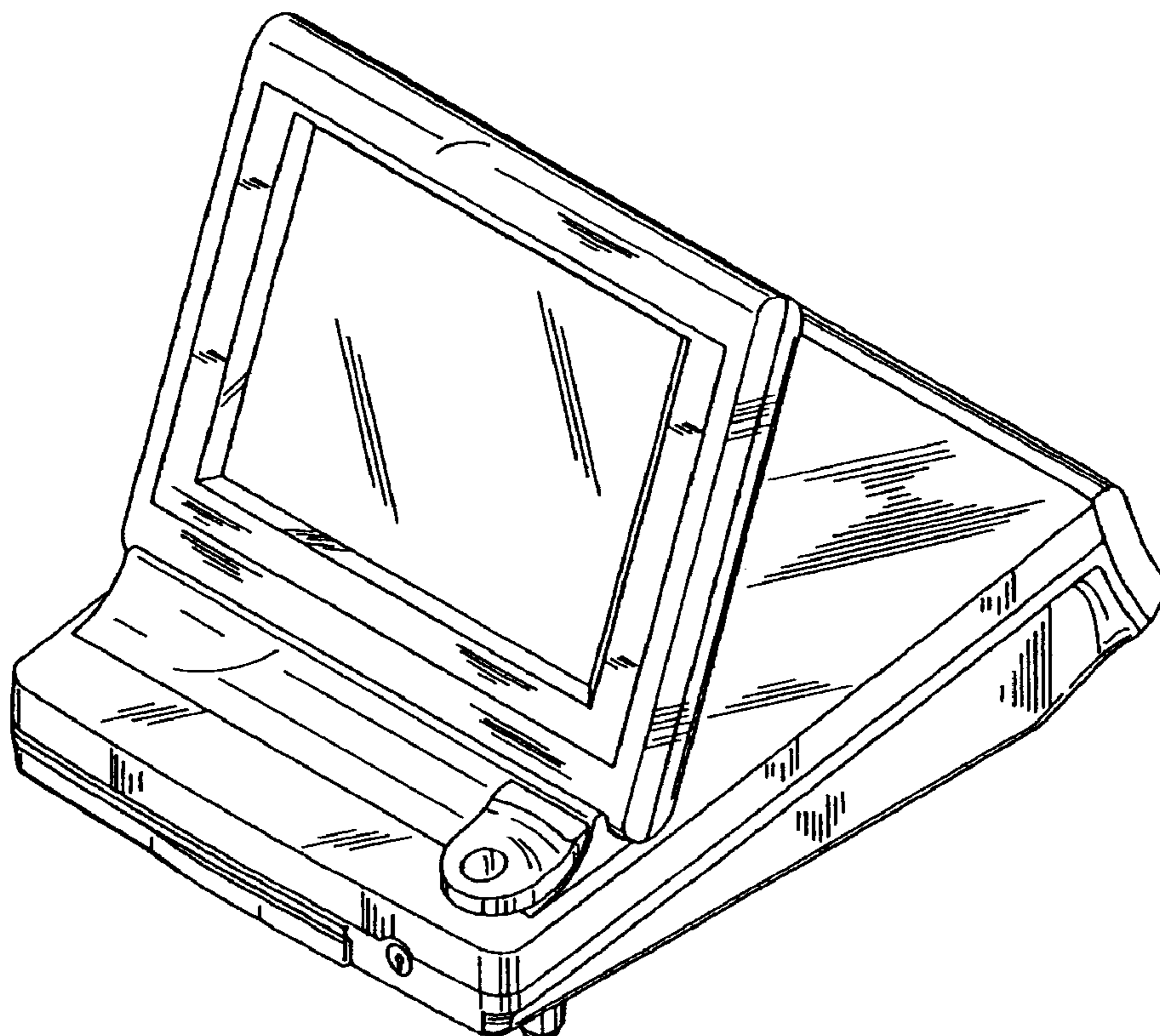


FIG. 1

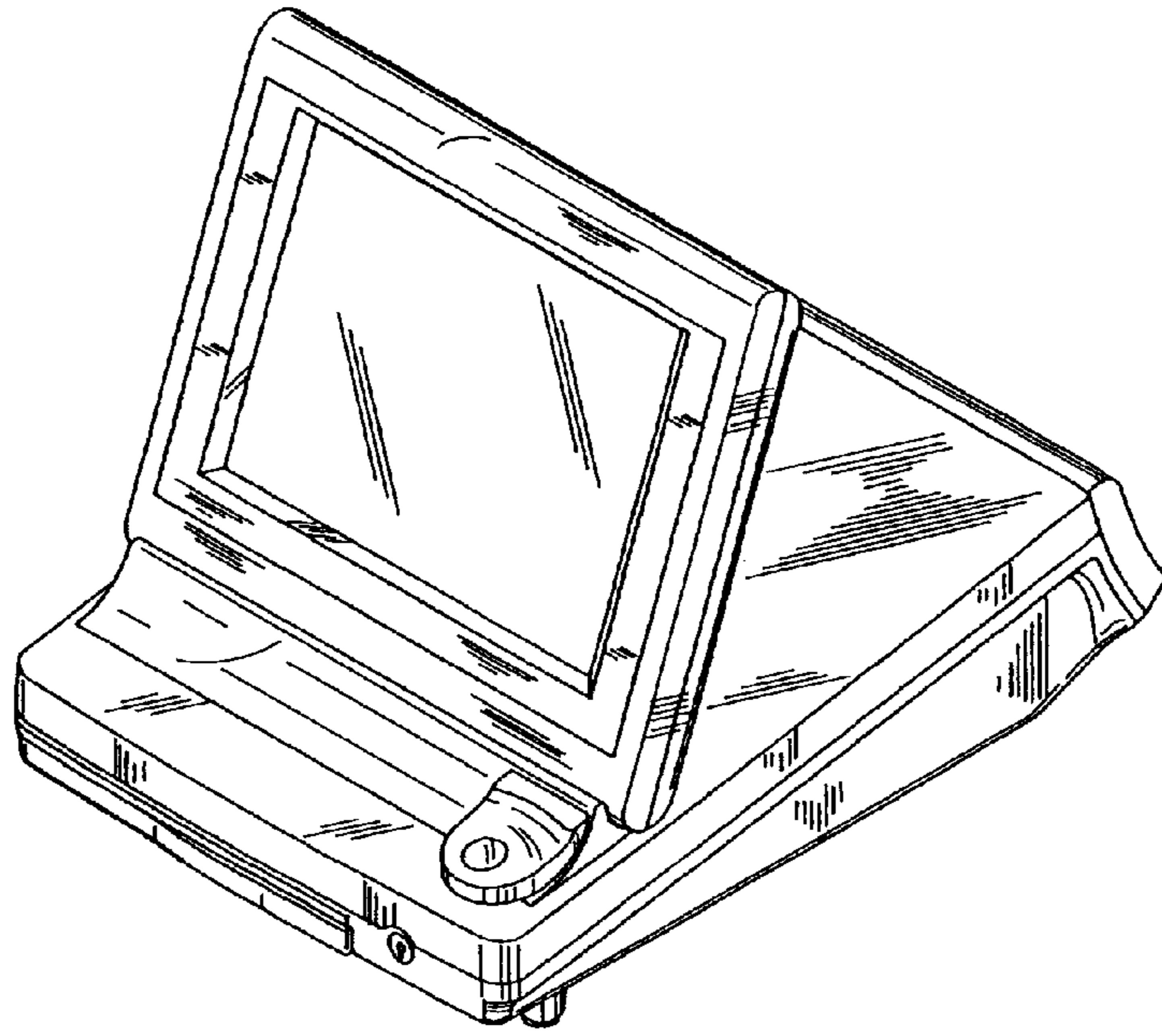


FIG. 2

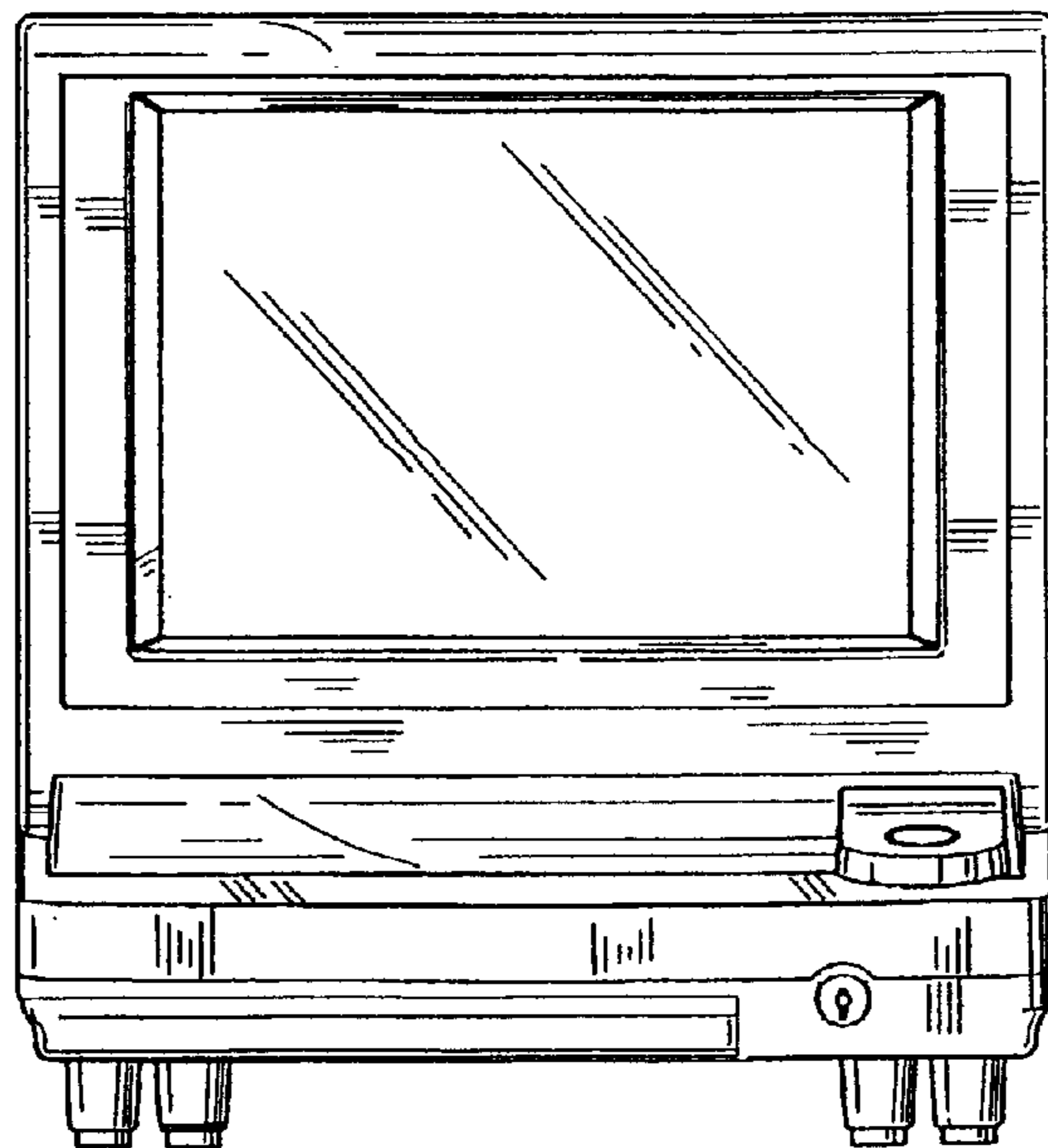


FIG. 3

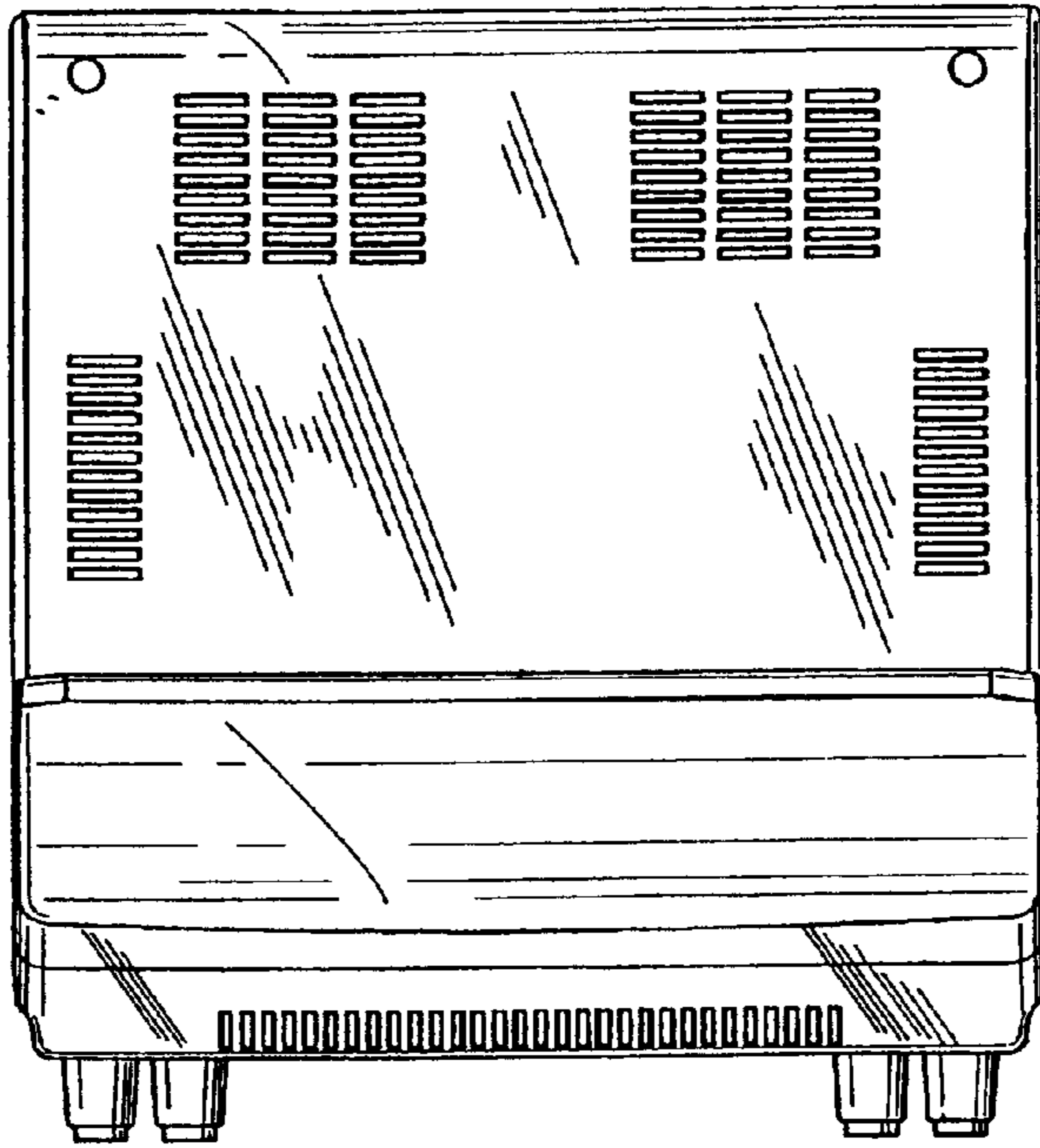
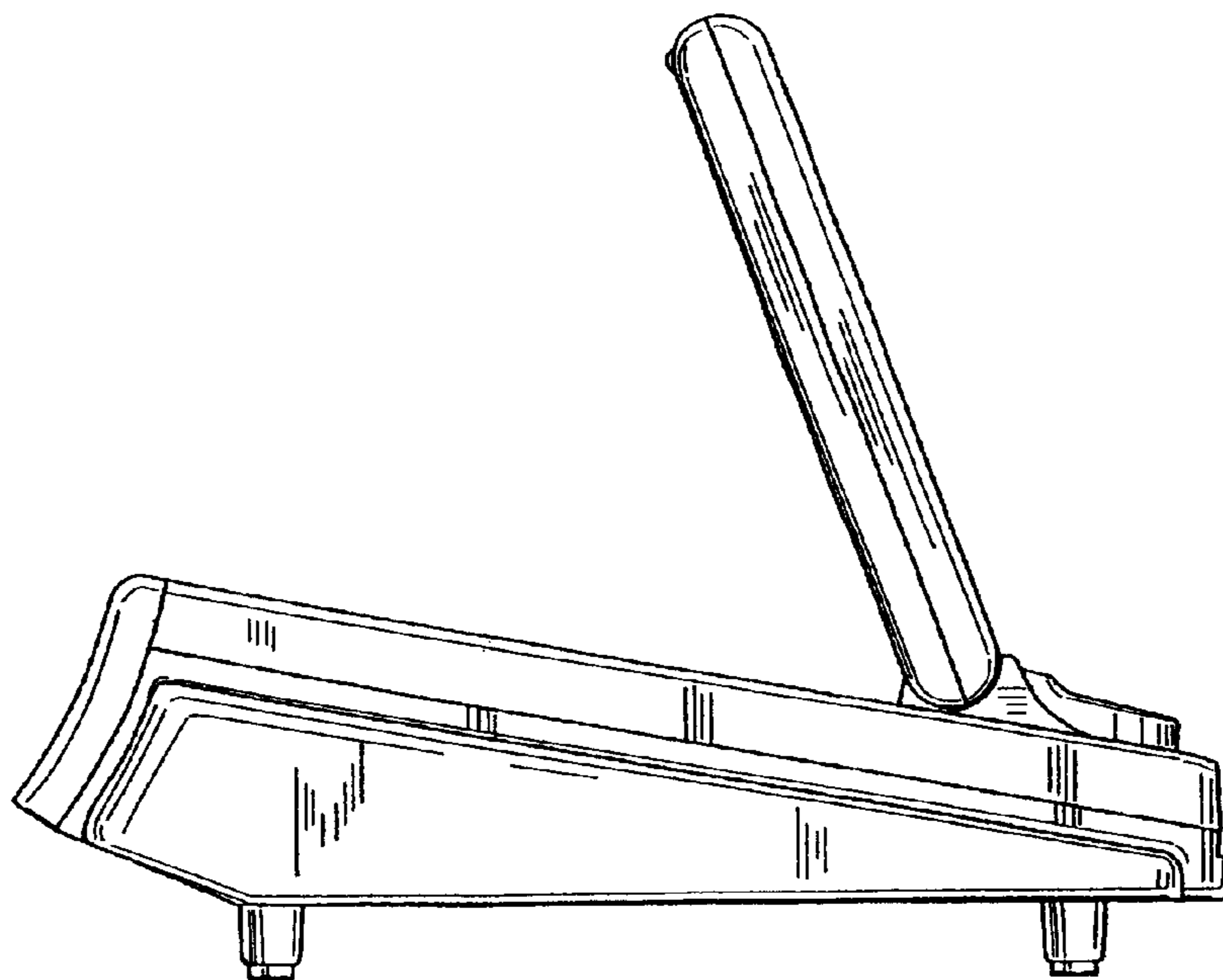


FIG. 4



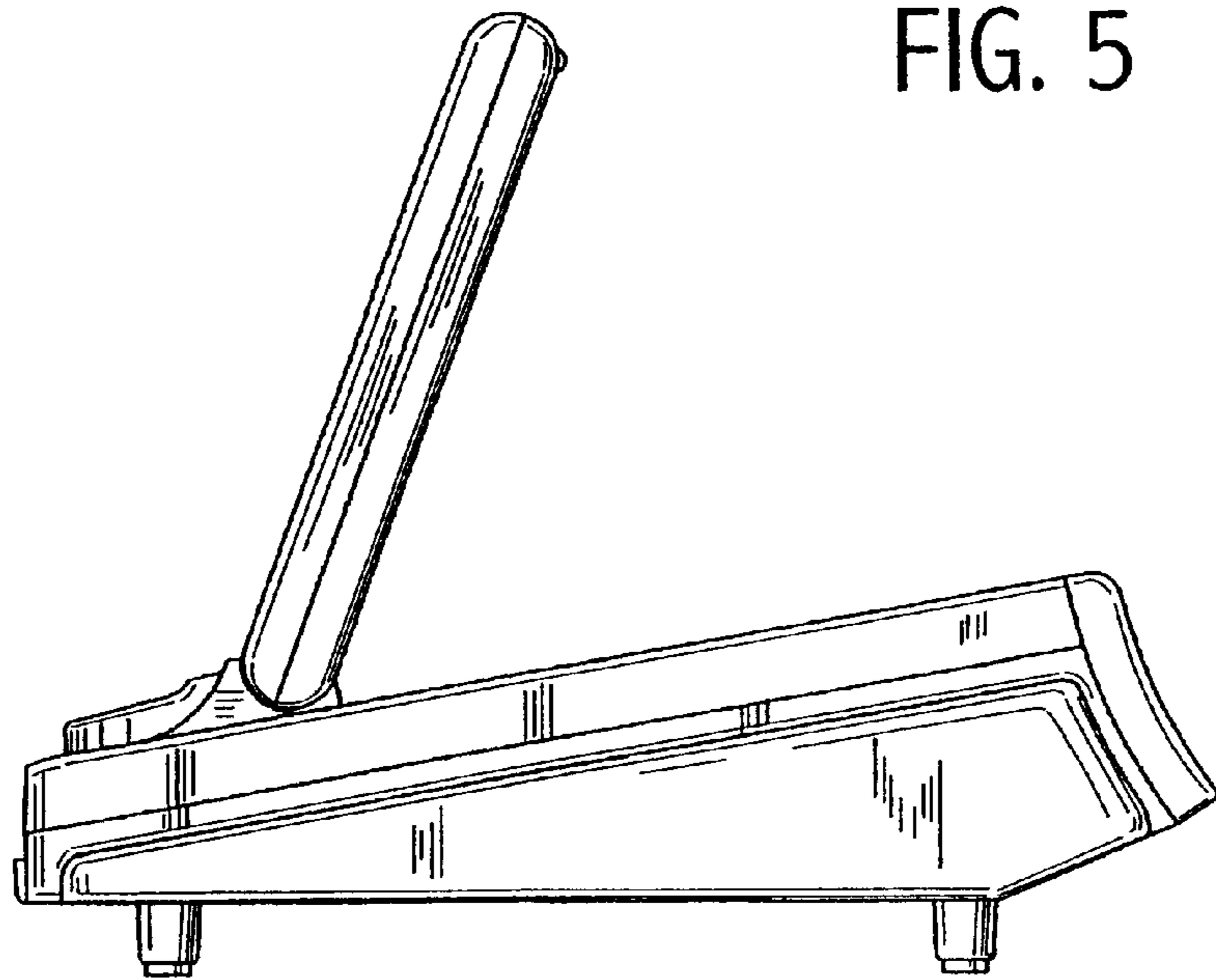
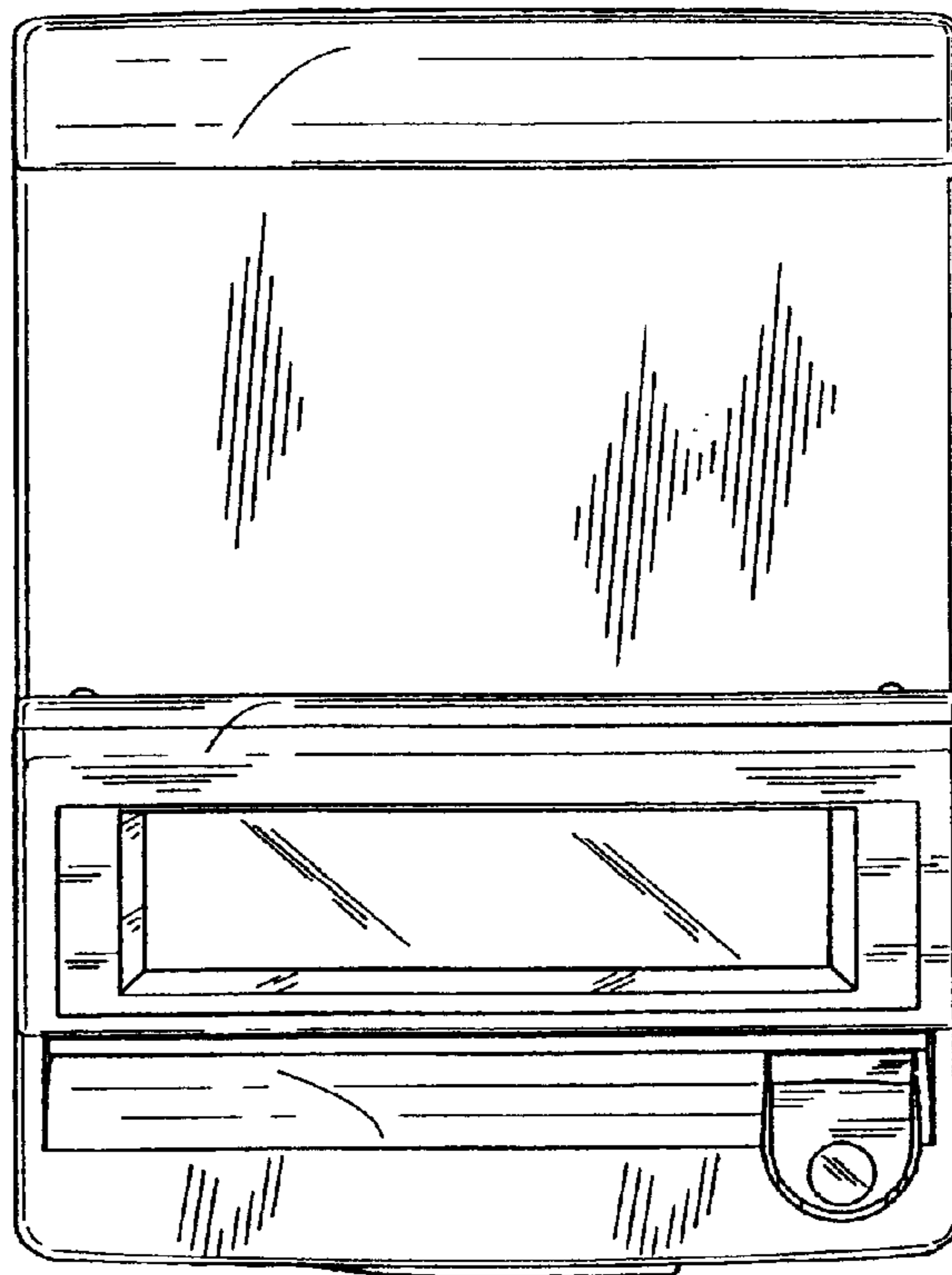


FIG. 5

FIG. 6



# FIG. 7

