



US00D474221S

(12) **United States Design Patent**
Cheng

(10) **Patent No.:** **US D474,221 S**

(45) **Date of Patent:** **** May 6, 2003**

(54) **NETWORK CAMERA**

(75) **Inventor:** **Ping-Fu Cheng, Taipei (TW)**

(73) **Assignee:** **AIPTEK International Inc., Hsinchu (TW)**

(**) **Term:** **14 Years**

(21) **Appl. No.:** **29/162,637**

(22) **Filed:** **Jun. 20, 2002**

(51) **LOC (7) Cl.** **16-01**

(52) **U.S. Cl.** **D16/218**

(58) **Field of Search** **D16/200-205,**
D16/208, 218; 348/373-376; 358/906, 909.1;
396/535-541

(56) **References Cited**

U.S. PATENT DOCUMENTS

4,456,931	A	*	6/1984	Toyoda et al.	358/906
4,825,302	A	*	4/1989	Tezuka et al.	358/906
5,576,781	A	*	11/1996	Deleeuw	396/6
D442,204	S	*	5/2001	Chou et al.	D16/218

D450,072	S	*	11/2001	Katayama	D16/202
D451,117	S	*	11/2001	Huthmaker	D16/218
2002/0036702	A1	*	3/2002	Ohnogi	348/373
2002/0176016	A1	*	11/2002	Misawa et al.	348/373

* cited by examiner

Primary Examiner—Adir Aronovich

(74) *Attorney, Agent, or Firm*—Troxell Law Office PLLC

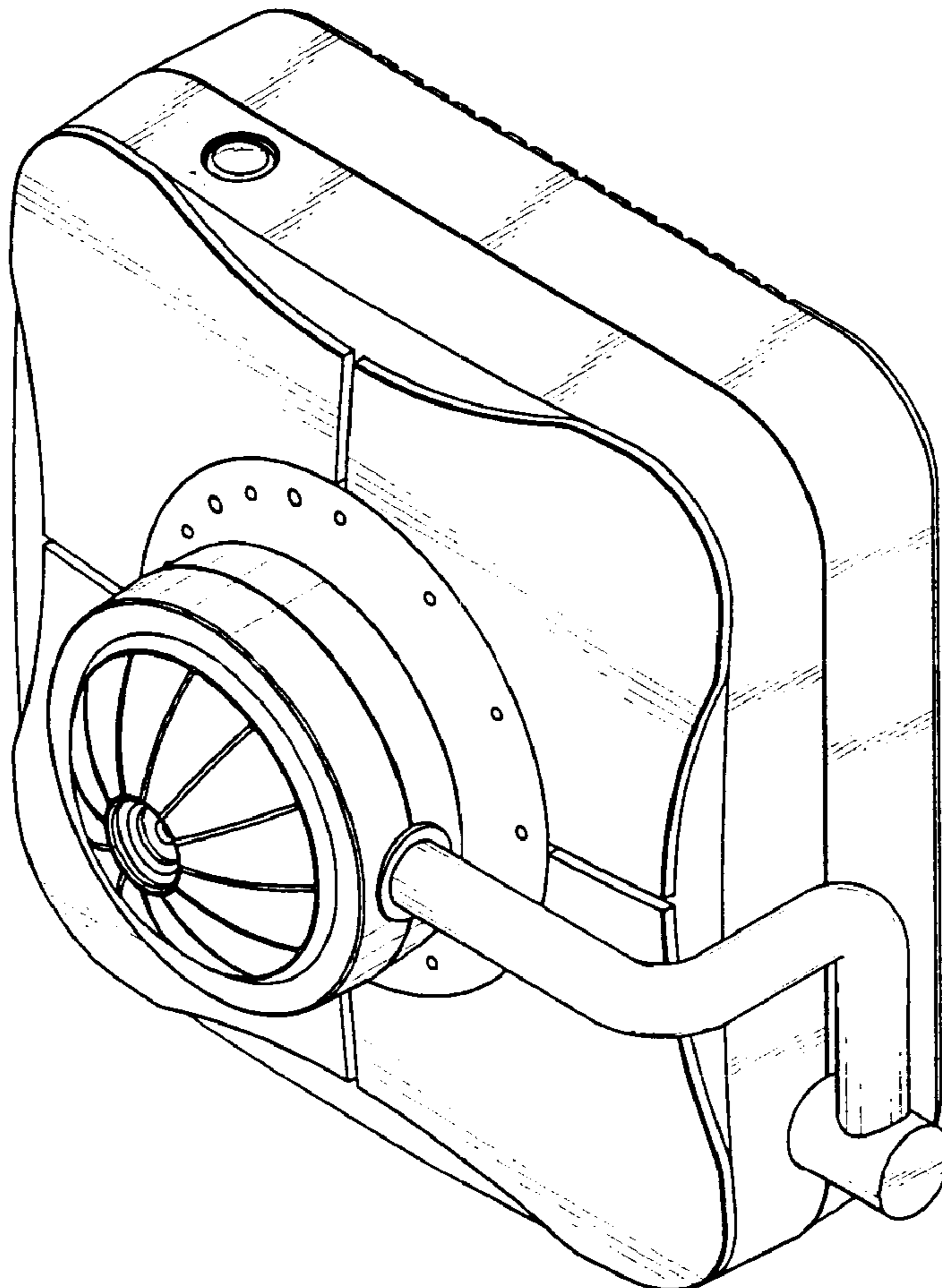
(57) **CLAIM**

The ornamental design for a network camera, as shown and described.

DESCRIPTION

FIG. 1 is a perspective view of a network camera showing my design;
FIG. 2 is a front elevational view thereof;
FIG. 3 is a rear elevational view thereof;
FIG. 4 is a bottom plan view thereof;
FIG. 5 is a top plan view thereof;
FIG. 6 is a left side elevational view thereof; and,
FIG. 7 is a right side elevational view thereof.

1 Claim, 4 Drawing Sheets



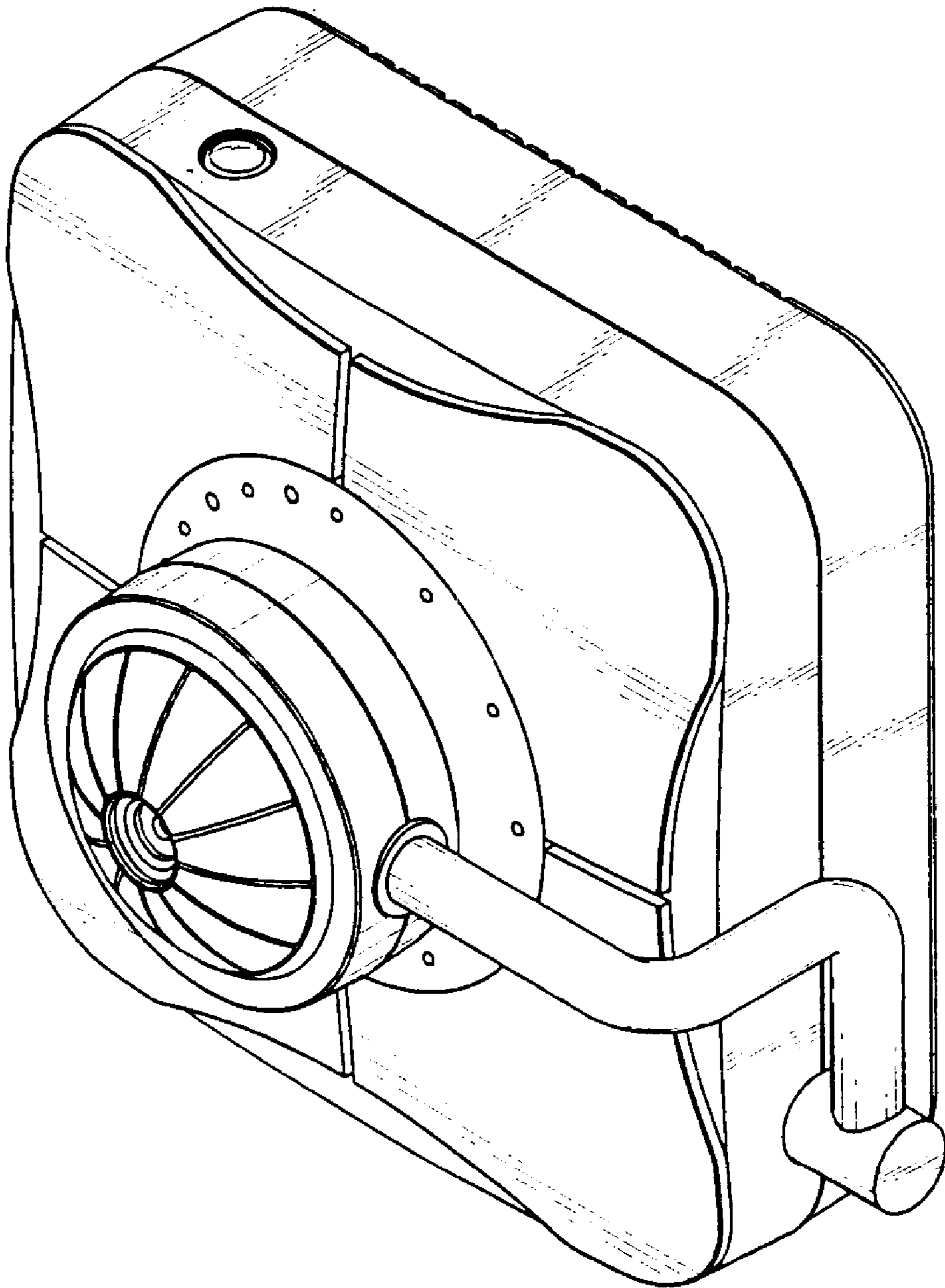


FIG. 1

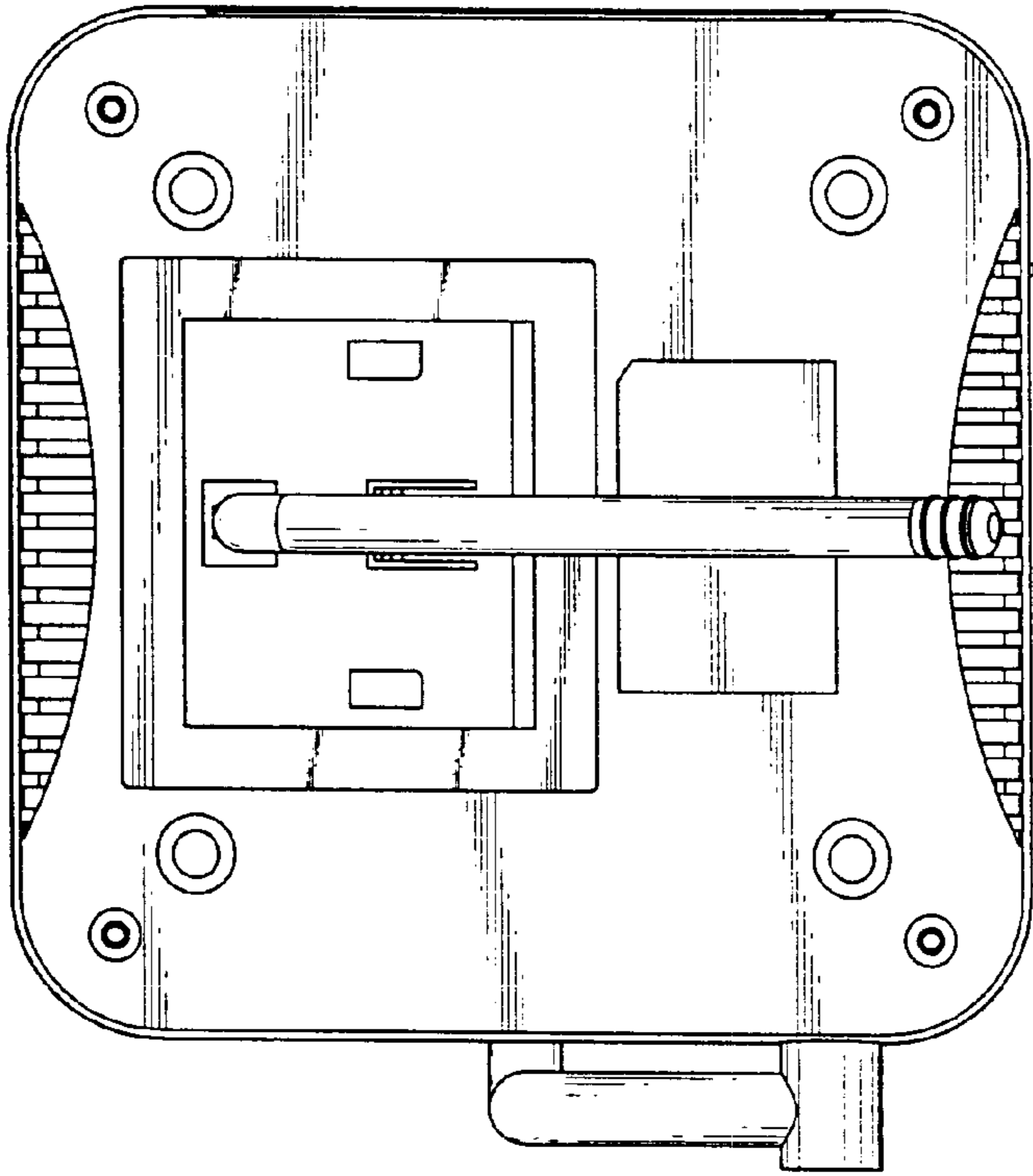


FIG. 2

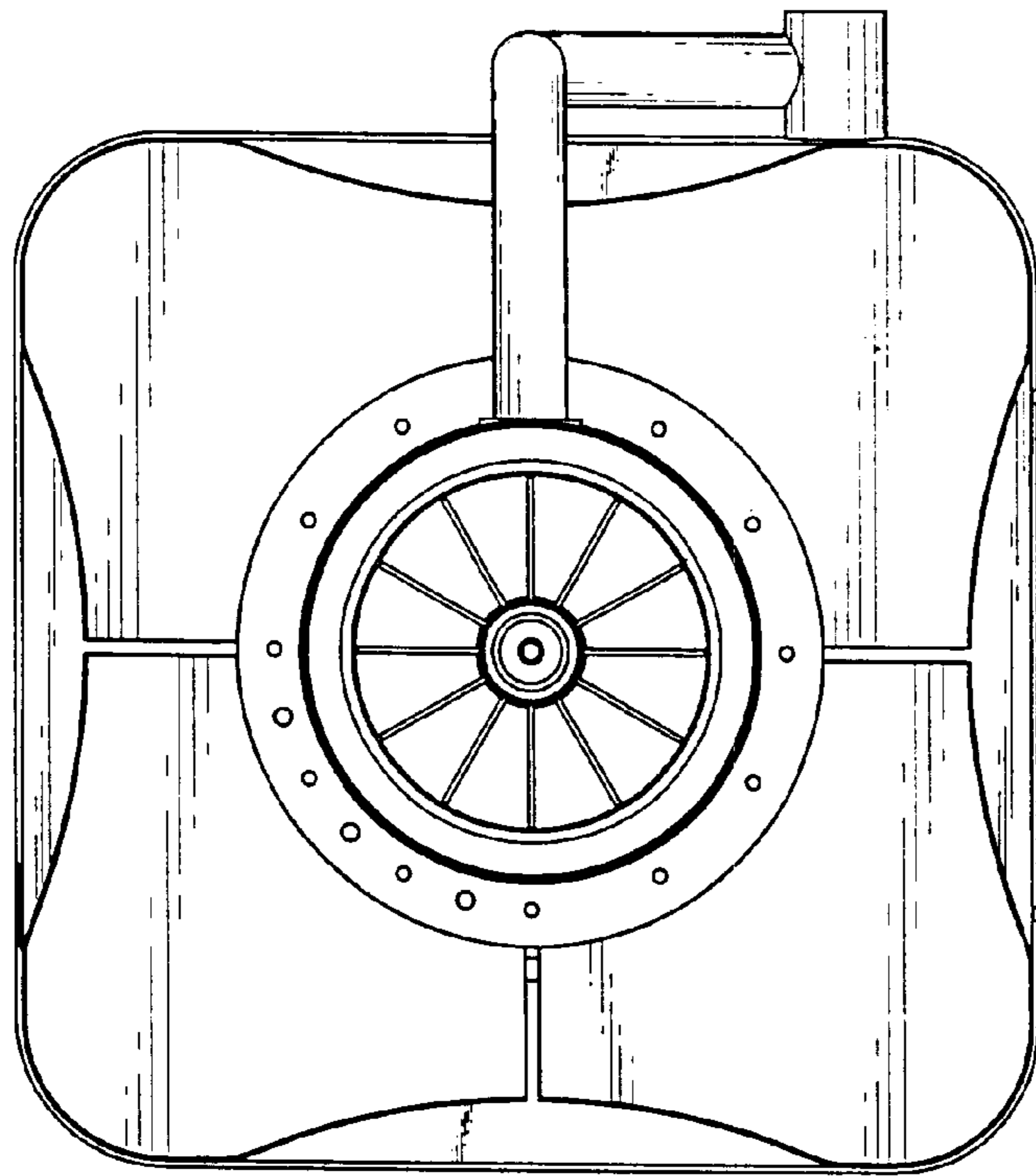


FIG. 3

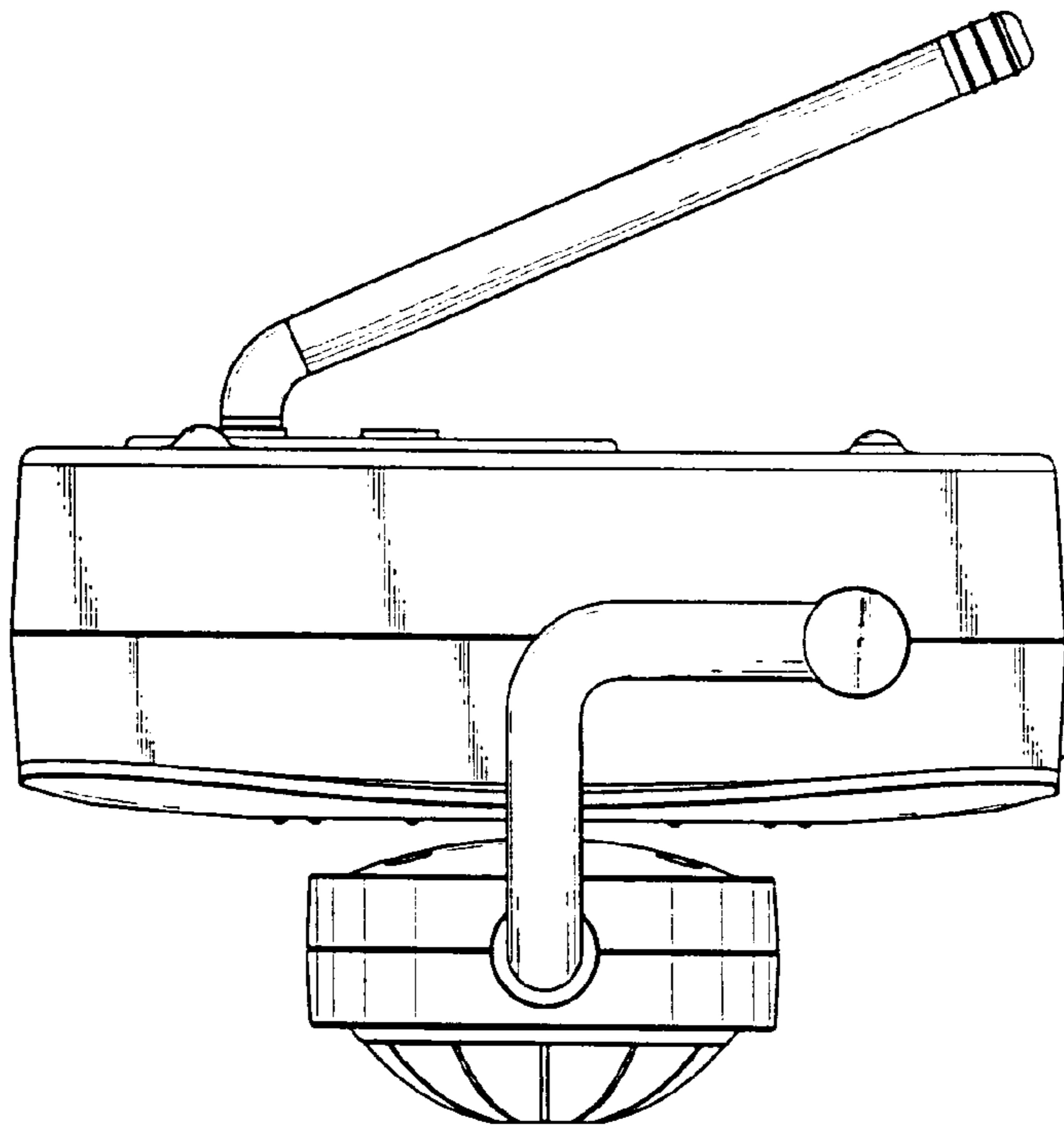


FIG. 5

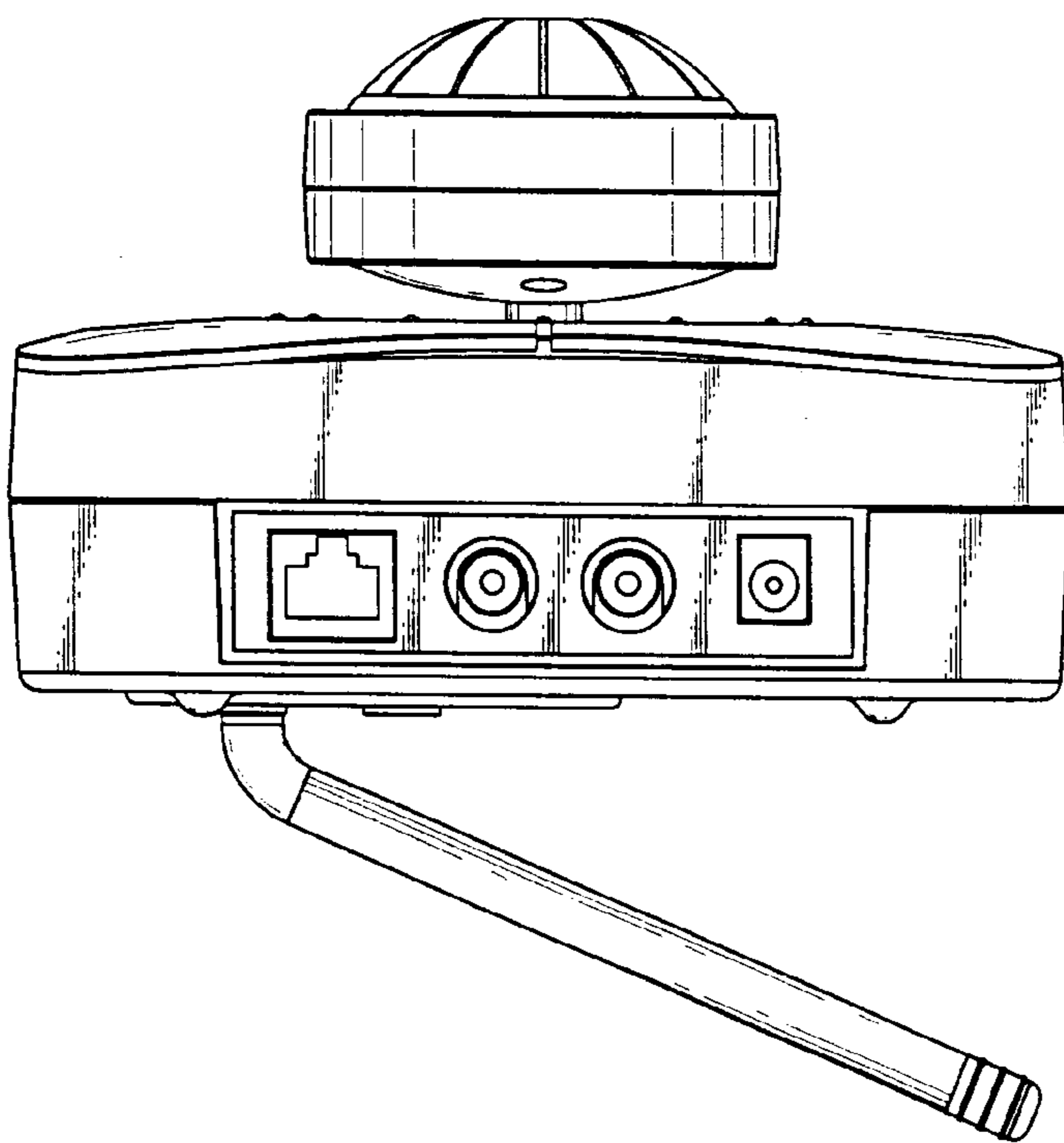


FIG. 4

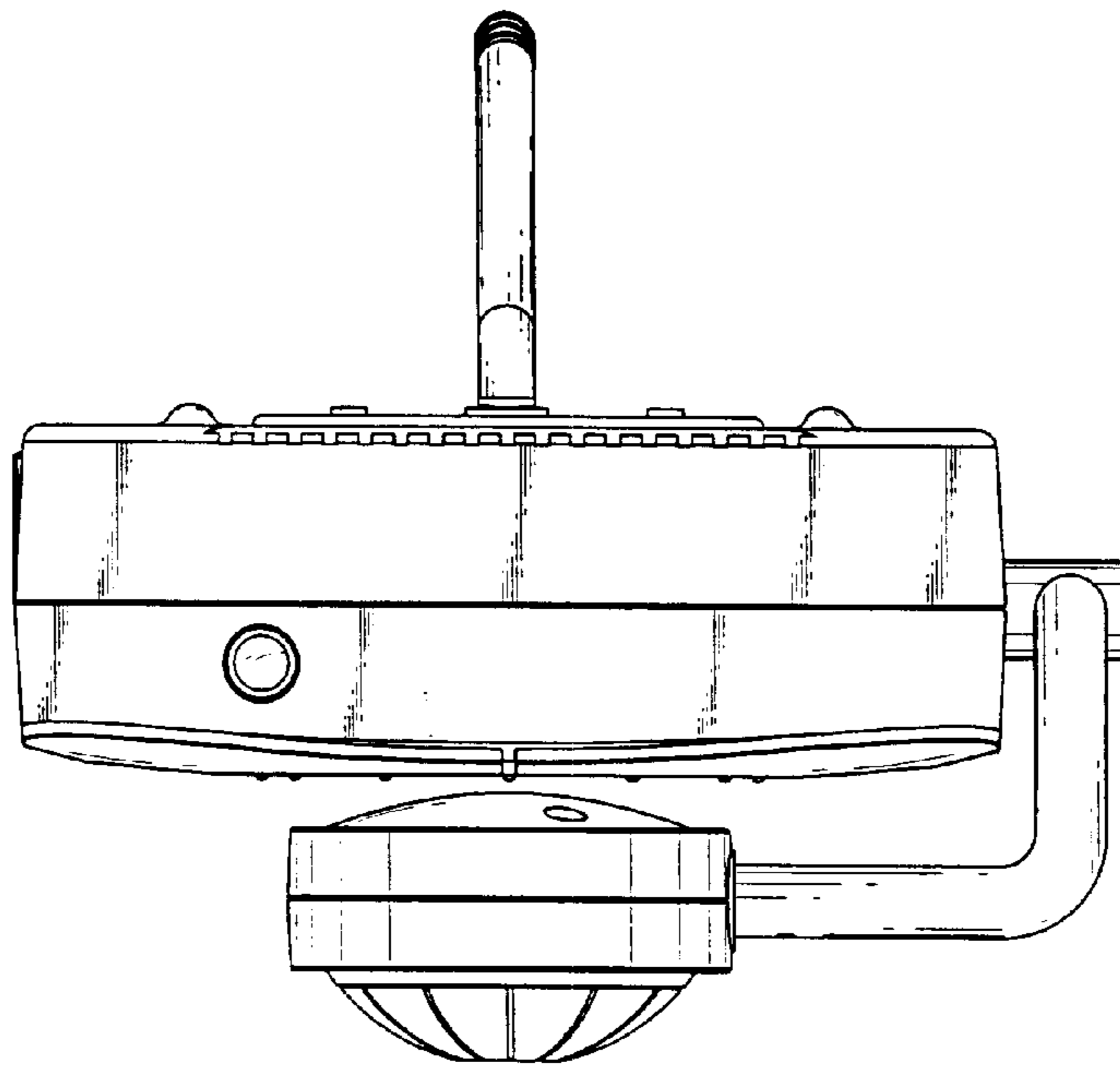


FIG. 6

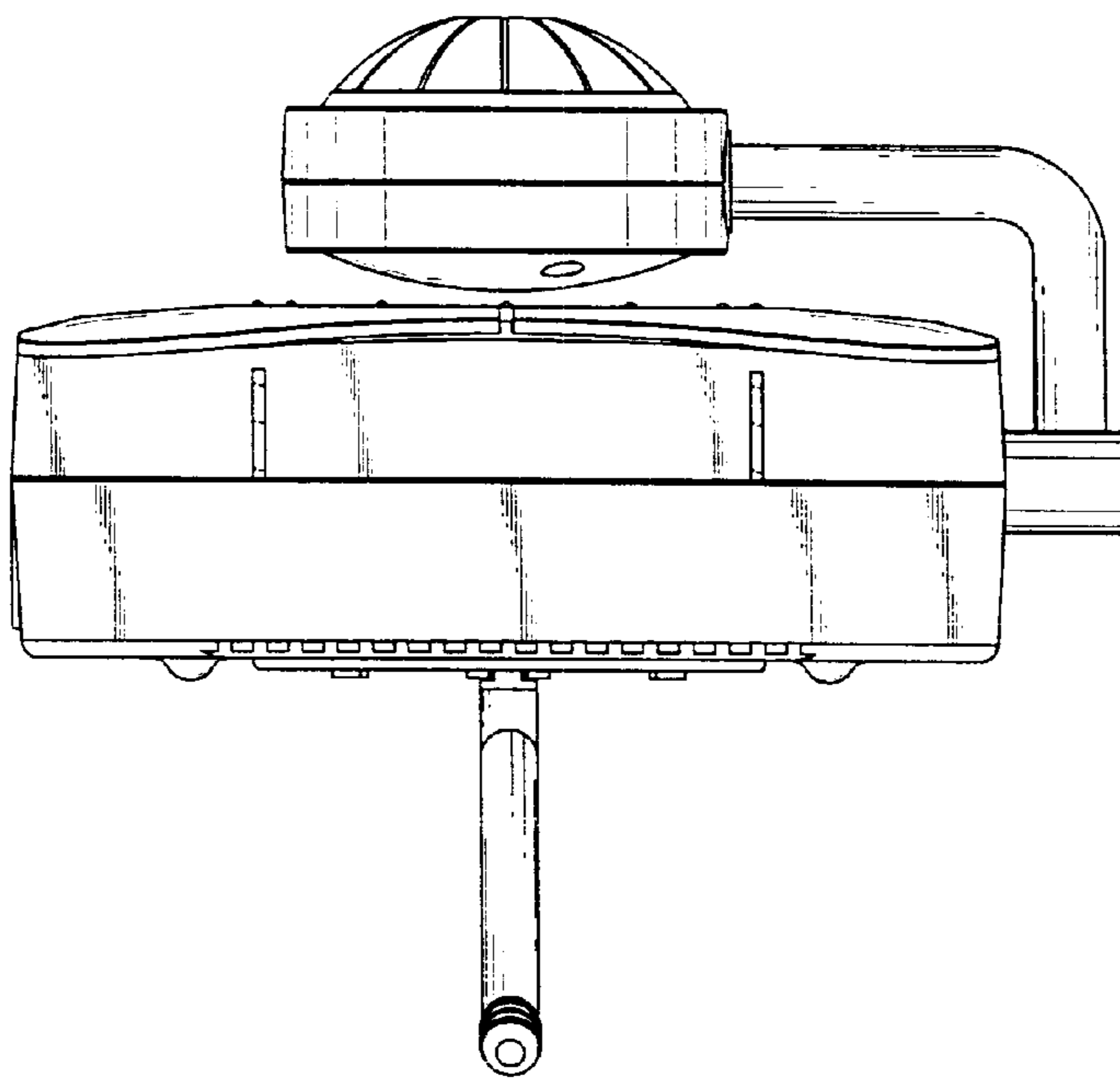


FIG. 7