



US00D474220S

(12) **United States Design Patent**  
**Sato**

(10) **Patent No.:** **US D474,220 S**

(45) **Date of Patent:** **\*\* May 6, 2003**

(54) **CAMERA**

(75) Inventor: **Jun Sato**, Tokyo (JP)

(73) Assignee: **Fuji Photo Film Co., Ltd.**, Kanagawa (JP)

(\*\*) Term: **14 Years**

(21) Appl. No.: **29/164,191**

(22) Filed: **Jul. 22, 2002**

(30) **Foreign Application Priority Data**

Jan. 21, 2002 (JP) ..... 2002-001165

(51) **LOC (7) Cl.** ..... **16-01**

(52) **U.S. Cl.** ..... **D16/209**

(58) **Field of Search** ..... D16/200-204,  
D16/208, 209, 211, 212, 218, 219; 348/373-376;  
396/348, 349, 448, 6, 535-541

(56) **References Cited**

**U.S. PATENT DOCUMENTS**

- D359,746 S 6/1995 Katayama
- D368,106 S 3/1996 Katayama
- D374,881 S \* 10/1996 Chapman et al. .... D16/209

- D379,632 S \* 6/1997 Hoshi et al. .... D16/209
- D381,349 S \* 7/1997 Senda ..... D16/209
- D401,258 S 11/1998 Tanaka
- D406,600 S 3/1999 Tanaka
- D410,937 S \* 6/1999 Nihei et al. .... D16/209
- 6,035,128 A \* 3/2000 DeCecca et al. .... 396/6

\* cited by examiner

*Primary Examiner*—Adir Aronovich

(74) *Attorney, Agent, or Firm*—Young & Thompson

(57) **CLAIM**

The ornamental design for a camera, as shown.

**DESCRIPTION**

FIG. 1 is a top, front and side perspective view of a camera showing my new design;  
 FIG. 2 is a front elevational view thereof;  
 FIG. 3 is a rear elevational view thereof;  
 FIG. 4 is a top plan view thereof;  
 FIG. 5 is a bottom plan view thereof;  
 FIG. 6 is a side elevational view thereof from the left of FIG. 2; and,  
 FIG. 7 is a side elevational view thereof from the right of FIG. 2.

**1 Claim, 4 Drawing Sheets**

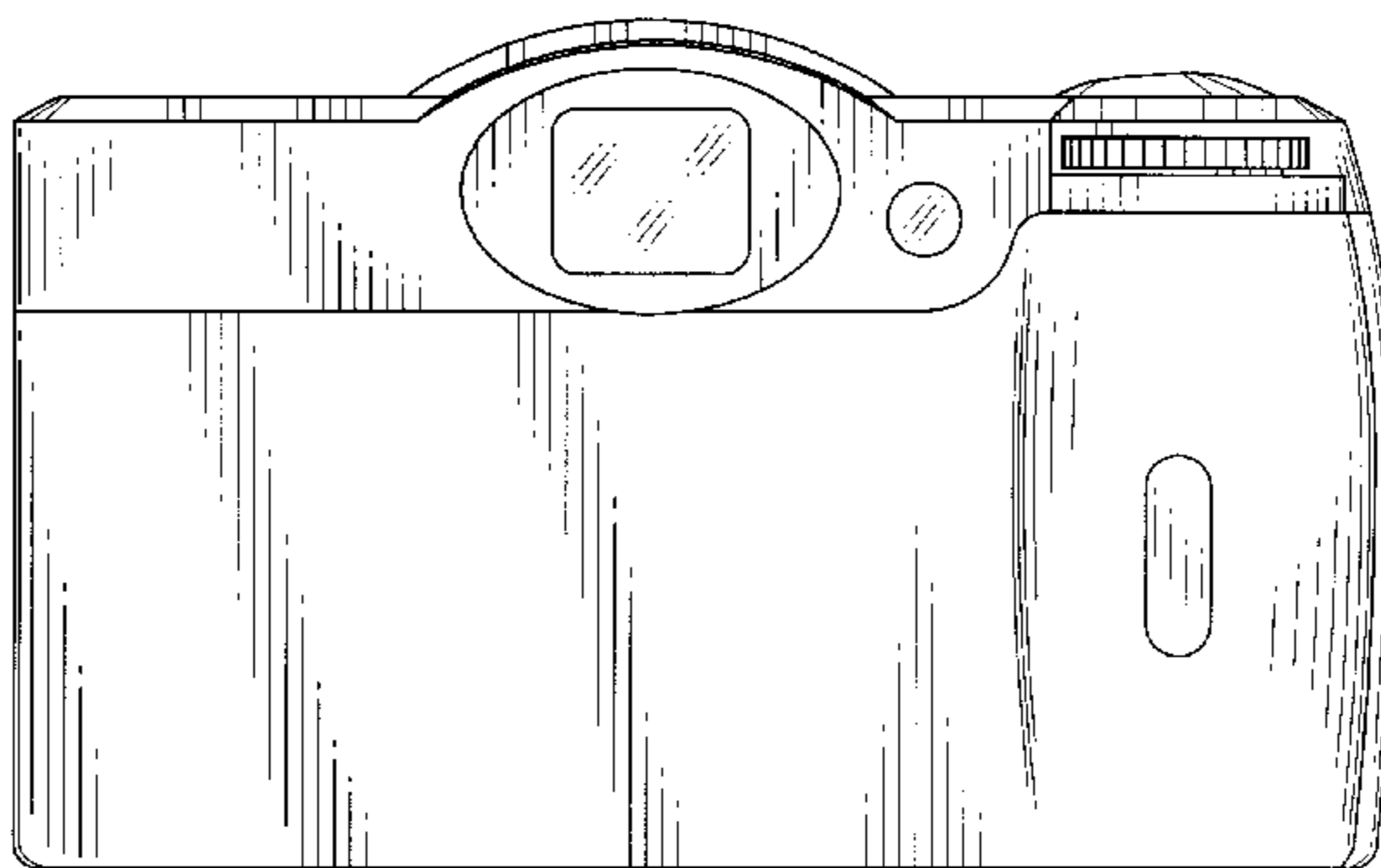
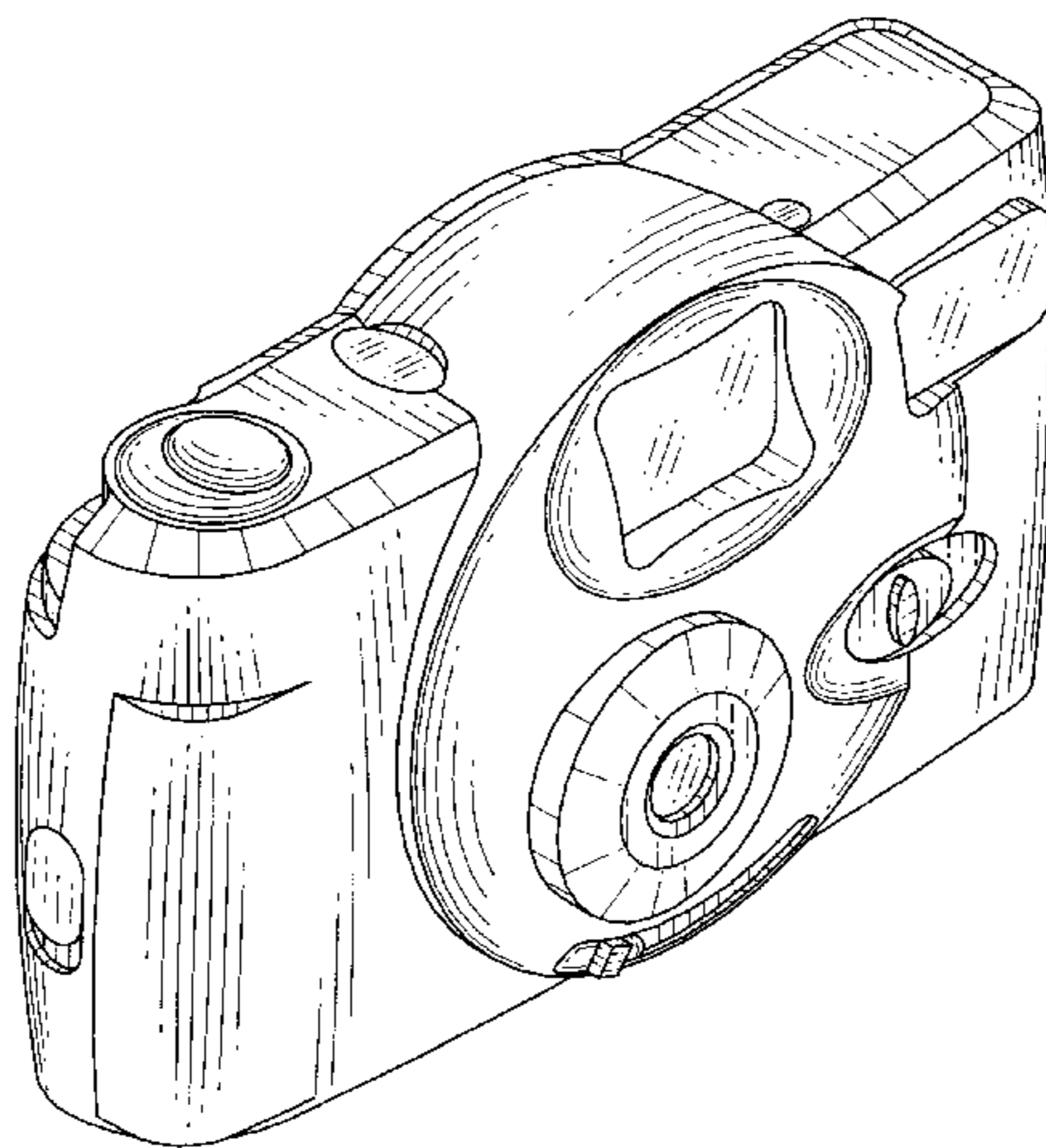


FIG. 1

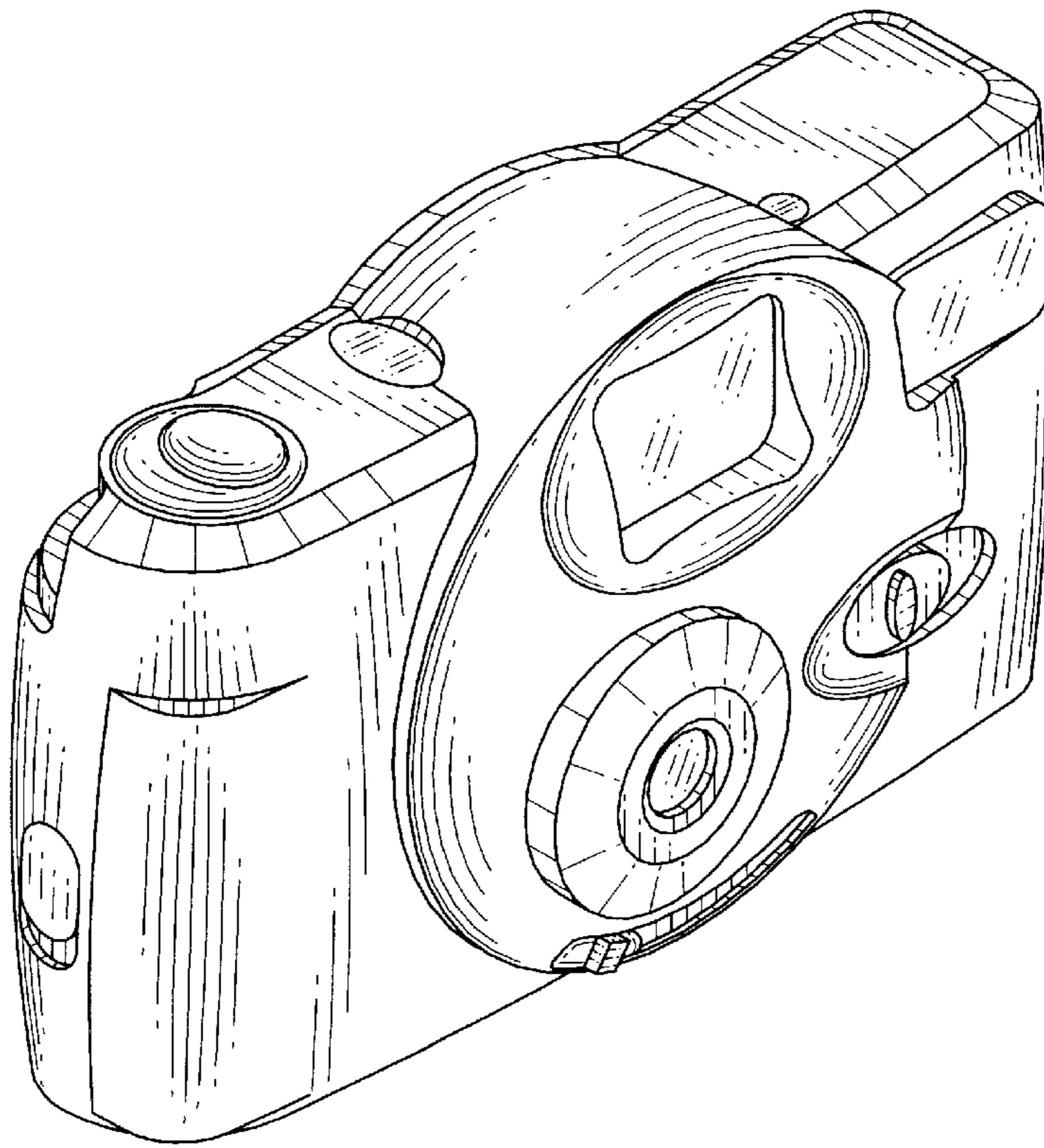


FIG. 2

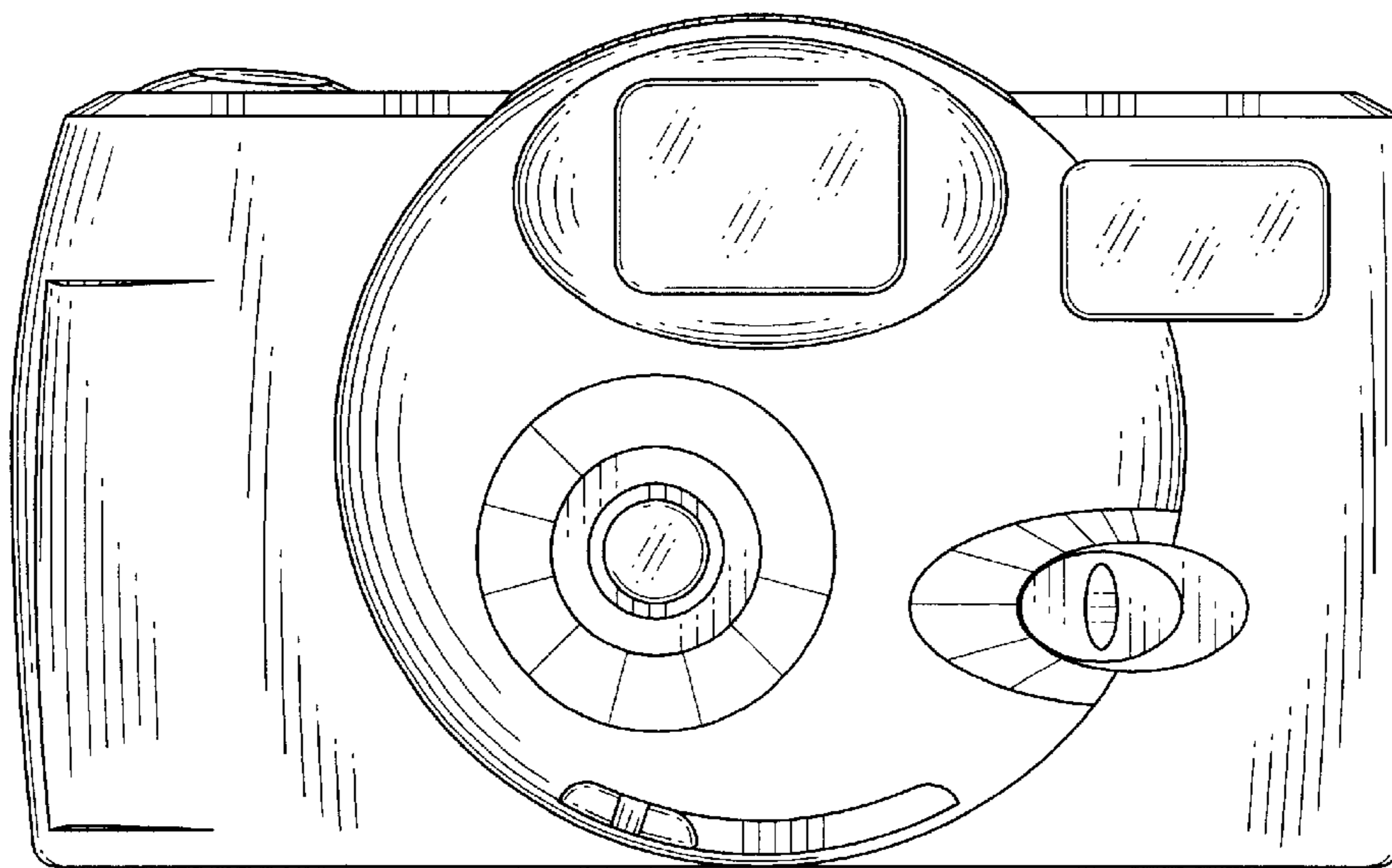


FIG. 3

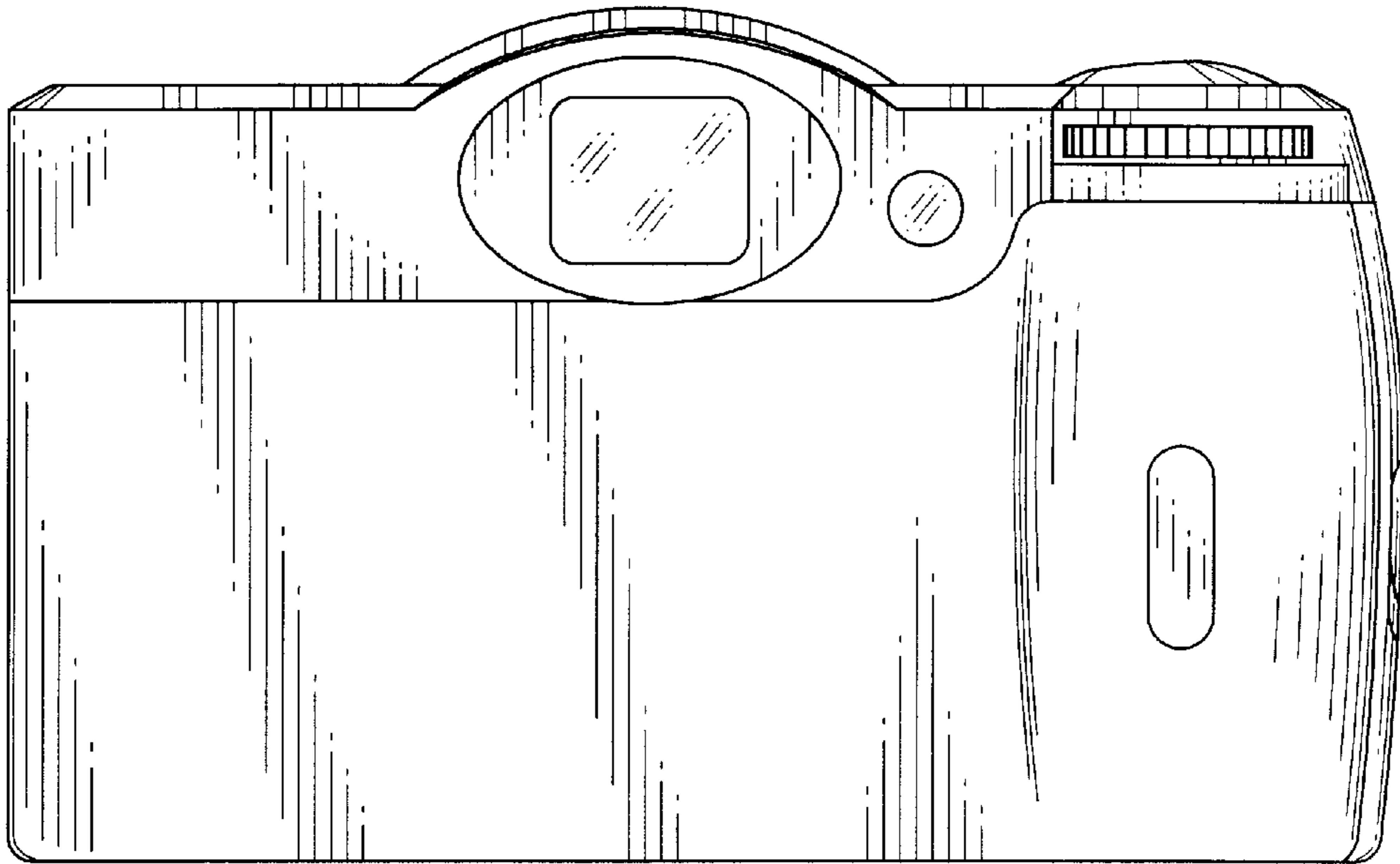


FIG. 4

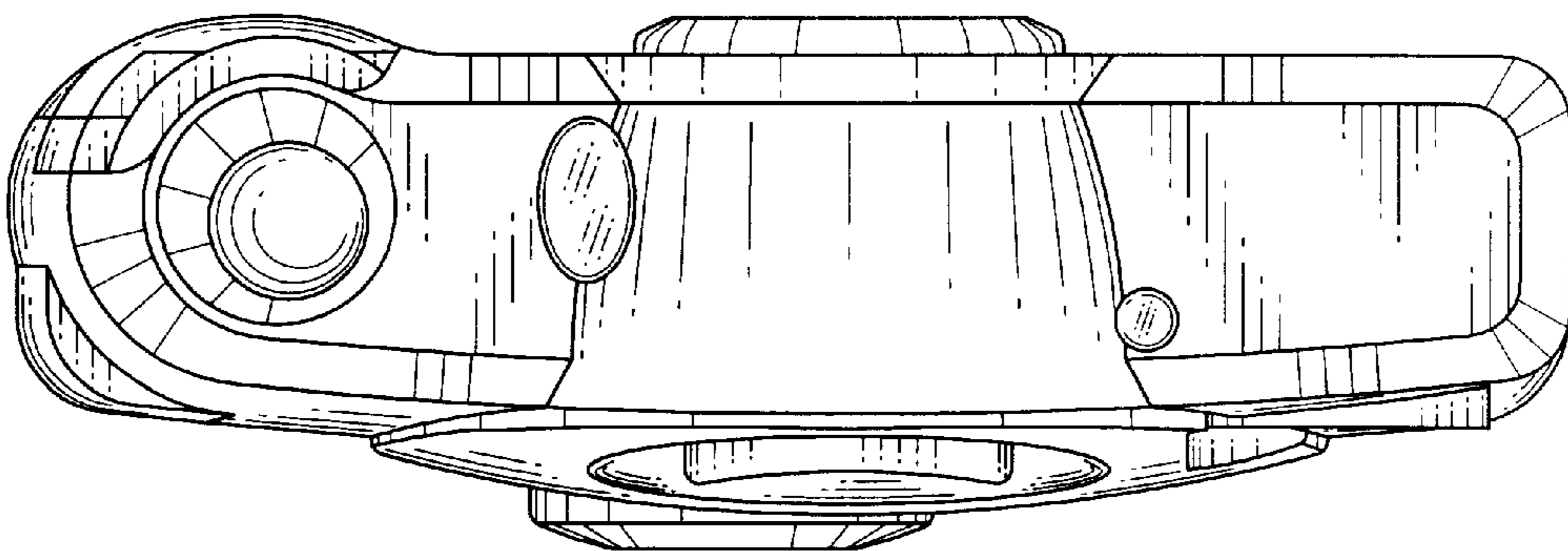


FIG. 5

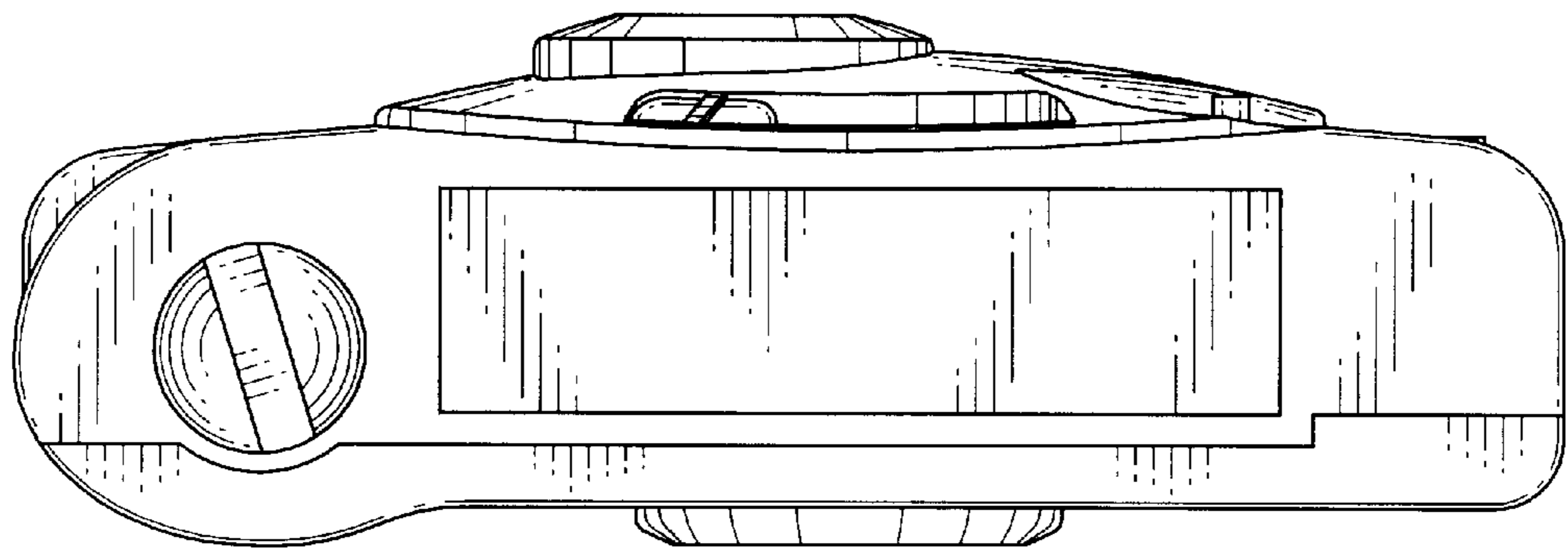


FIG. 6

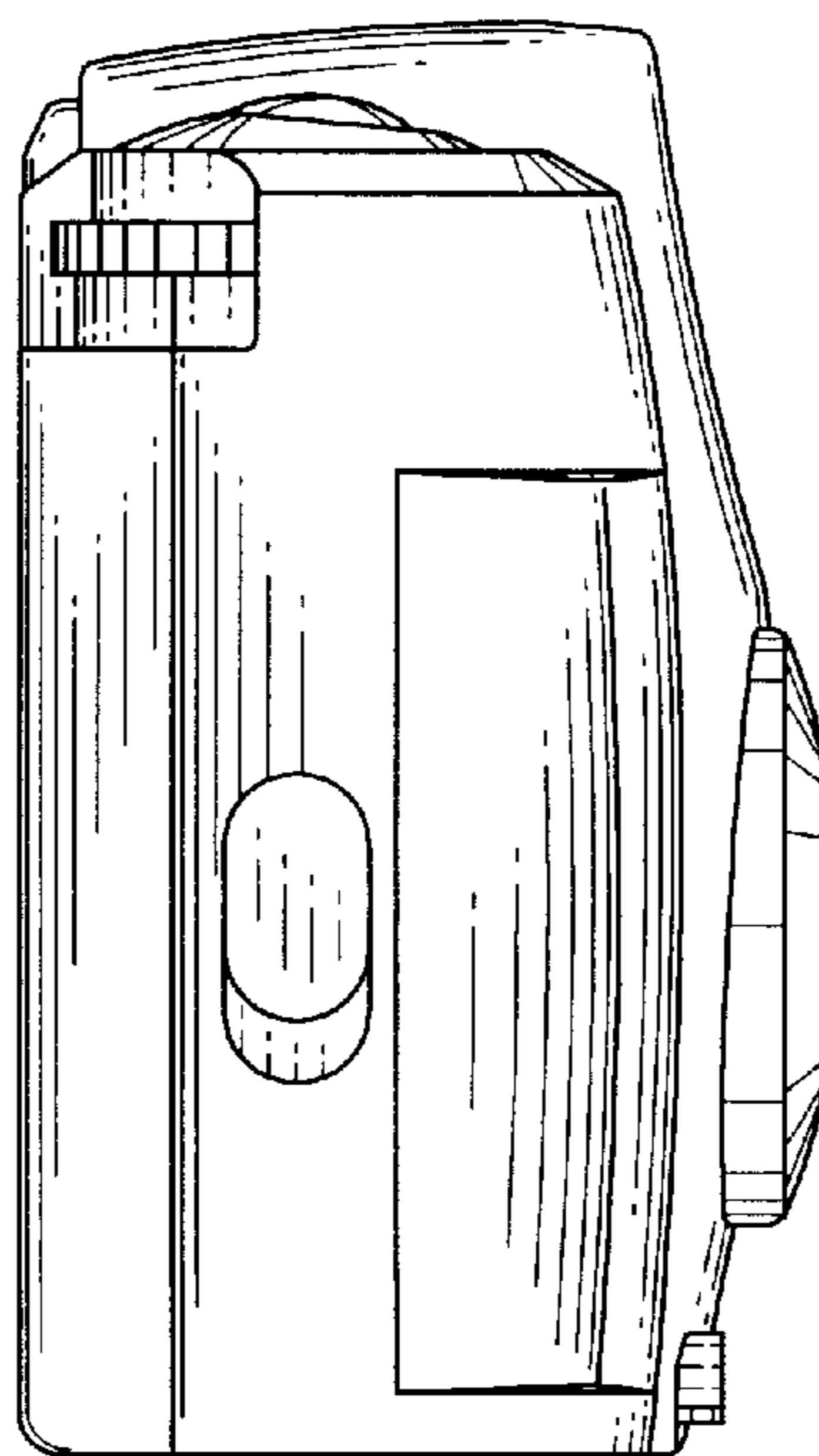


FIG. 7

