



US00D474218S

(12) **United States Design Patent**
Nagayama

(10) **Patent No.:** **US D474,218 S**

(45) **Date of Patent:** **** May 6, 2003**

(54) **DIGITAL CAMERA**

(75) **Inventor:** **Yohsuke Nagayama, Tokyo (JP)**

(73) **Assignee:** **Casio Keisanki Kabushiki Kaisha, Tokyo (JP)**

(**) **Term:** **14 Years**

(21) **Appl. No.:** **29/162,812**

(22) **Filed:** **Jun. 21, 2002**

(51) **LOC (7) Cl. 16-01**

(52) **U.S. Cl. D16/202**

(58) **Field of Search D16/200-204, D16/208, 209, 212, 213, 218; 348/373-376; 396/535-541**

(56) **References Cited**

U.S. PATENT DOCUMENTS

- 3,418,909 A * 12/1968 Rabinow D16/218
- D355,431 S * 2/1995 Oshima D16/209
- D397,706 S * 9/1998 Shibata D16/202

- D416,270 S * 11/1999 Harata D16/202
- D435,572 S * 12/2000 Maeyama D16/202
- D450,737 S * 11/2001 Suzuki D16/202

* cited by examiner

Primary Examiner—Adir Aronovich

(74) *Attorney, Agent, or Firm*—Frishauf, Holtz, Goodman & Chick, P.C.

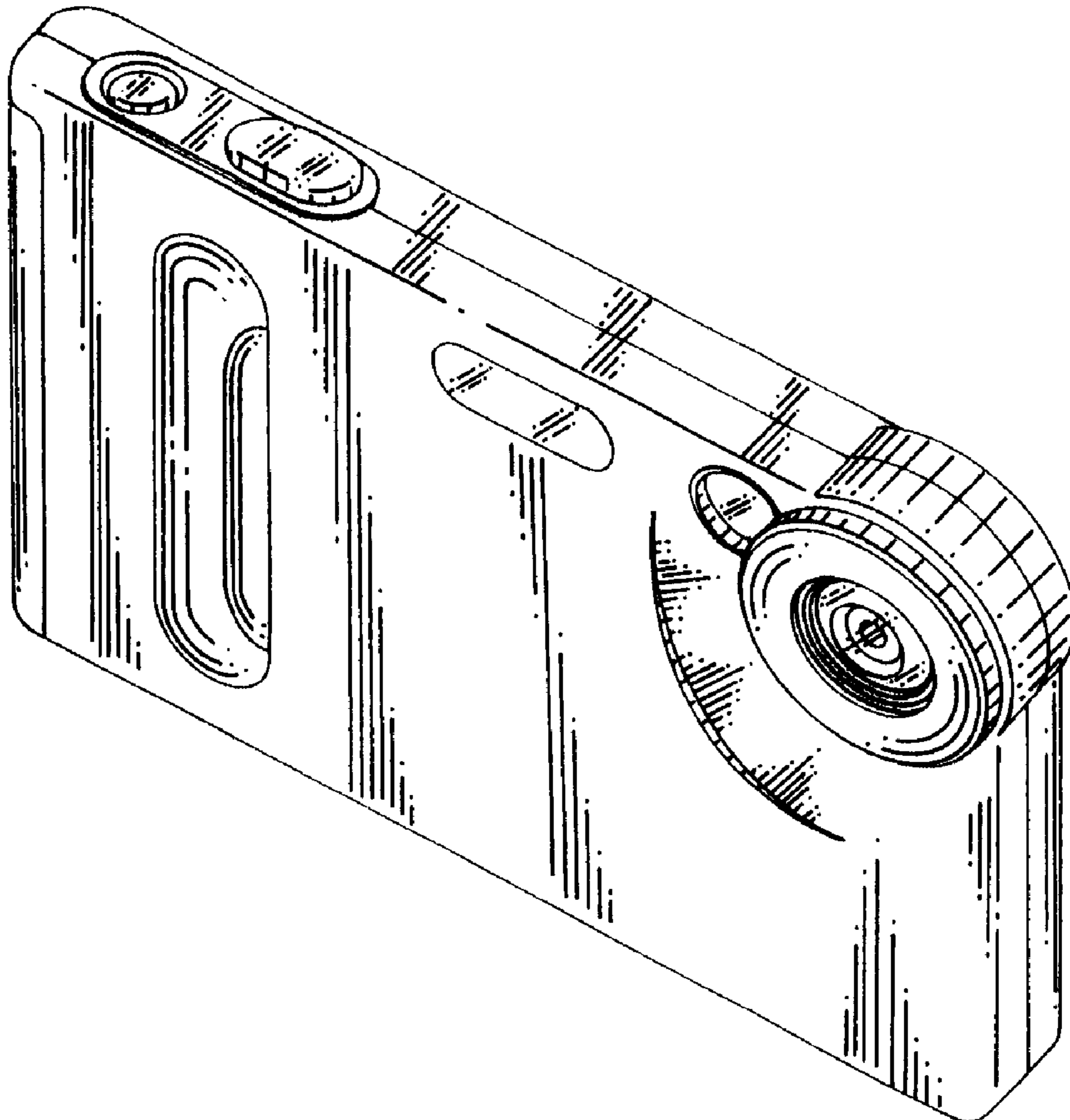
(57) **CLAIM**

The ornamental design for a digital camera, as shown.

DESCRIPTION

FIG. 1 is a front elevational view of a digital camera showing my new design;
 FIG. 2 is a rear elevational view thereof;
 FIG. 3 is a left side view thereof;
 FIG. 4 is a right side view thereof;
 FIG. 5 is a top plan view thereof;
 FIG. 6 is a bottom plan view thereof; and,
 FIG. 7 is a top, front, right side perspective view thereof.

1 Claim, 7 Drawing Sheets



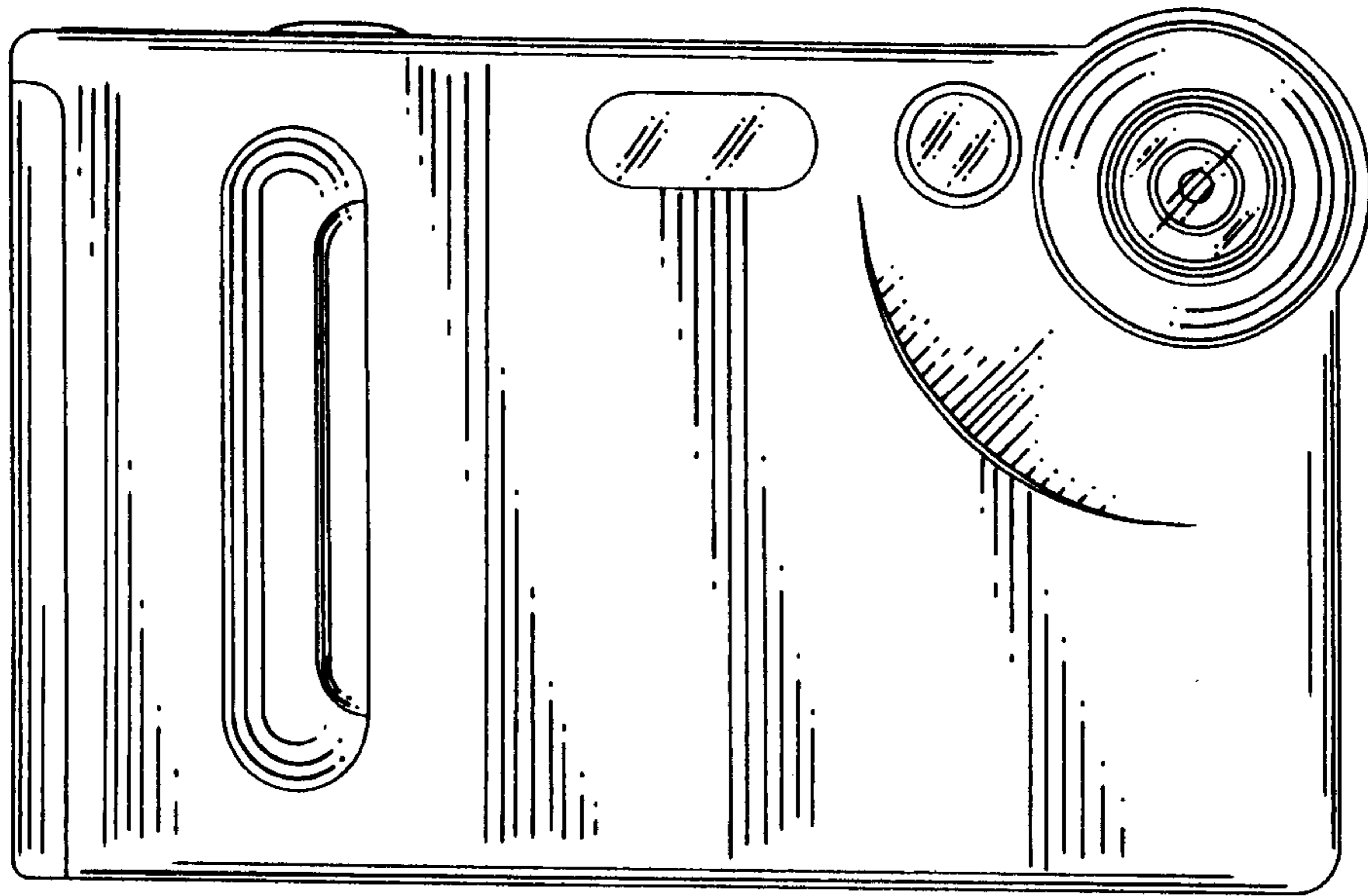


FIG. 1

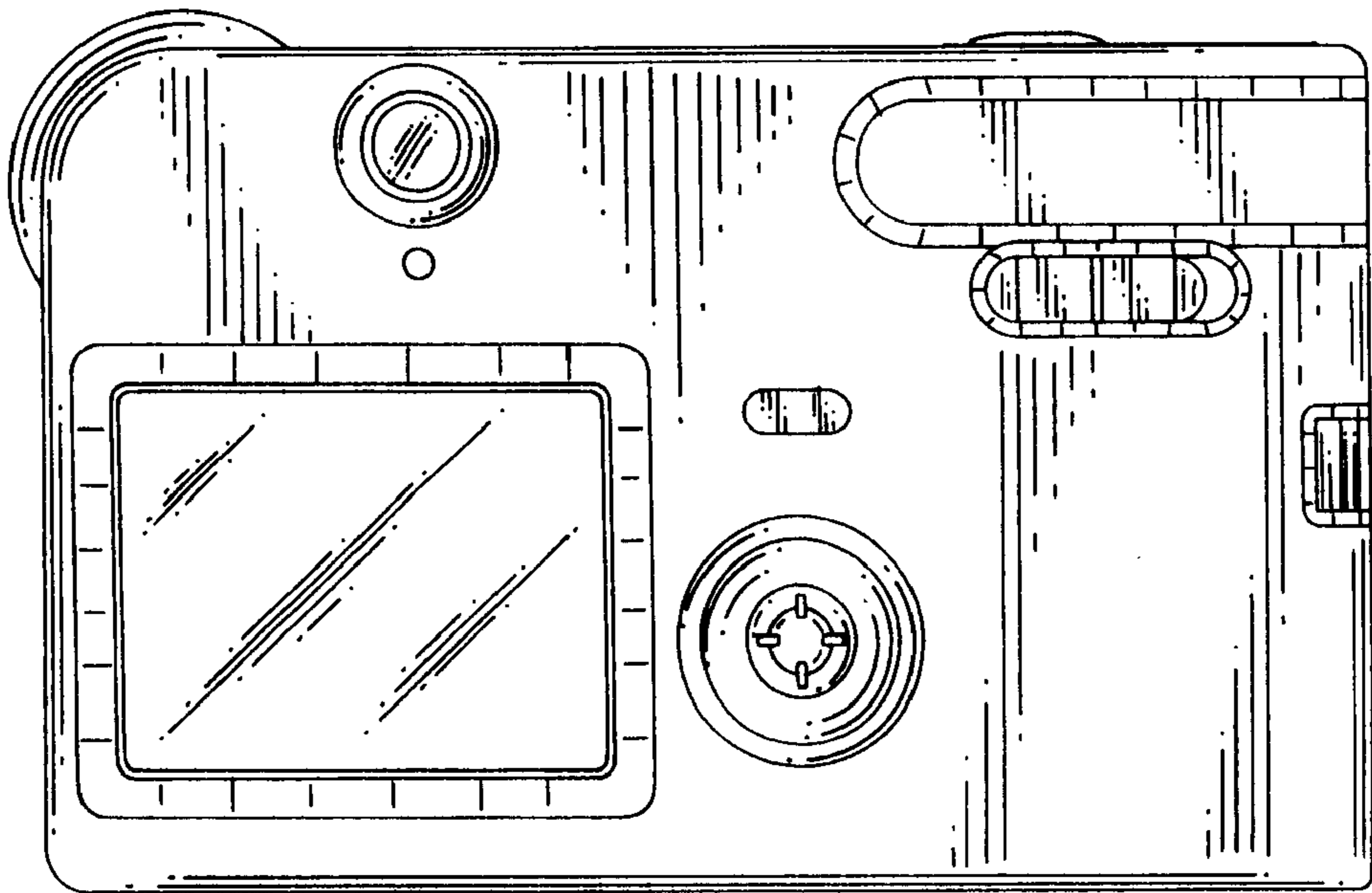


FIG. 2

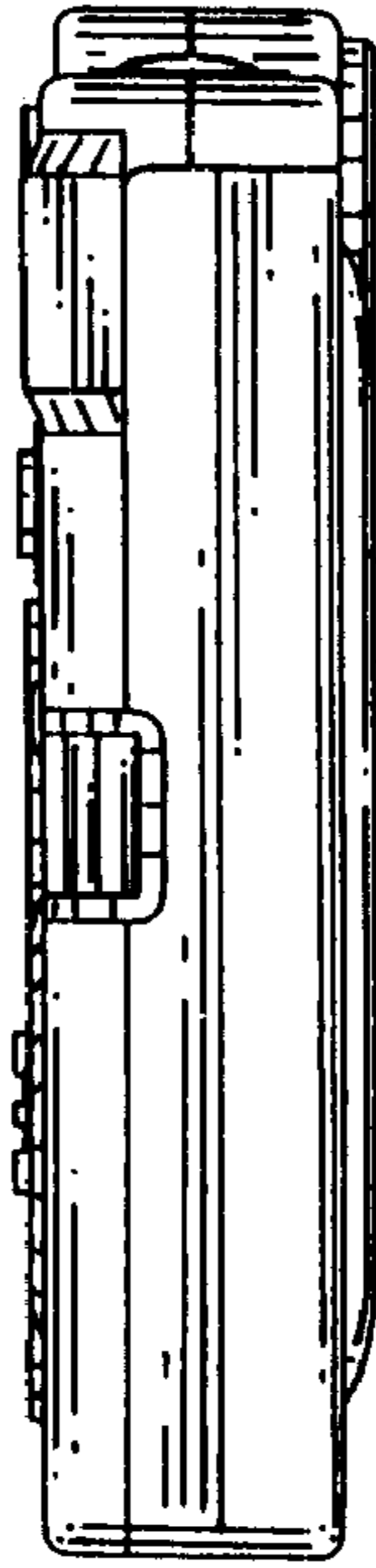


FIG. 3

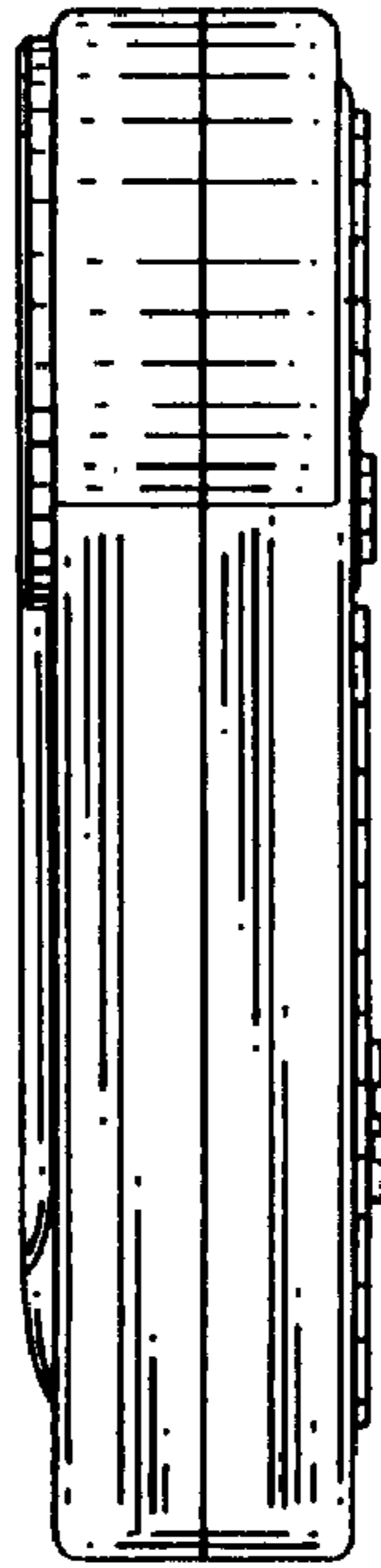


FIG. 4

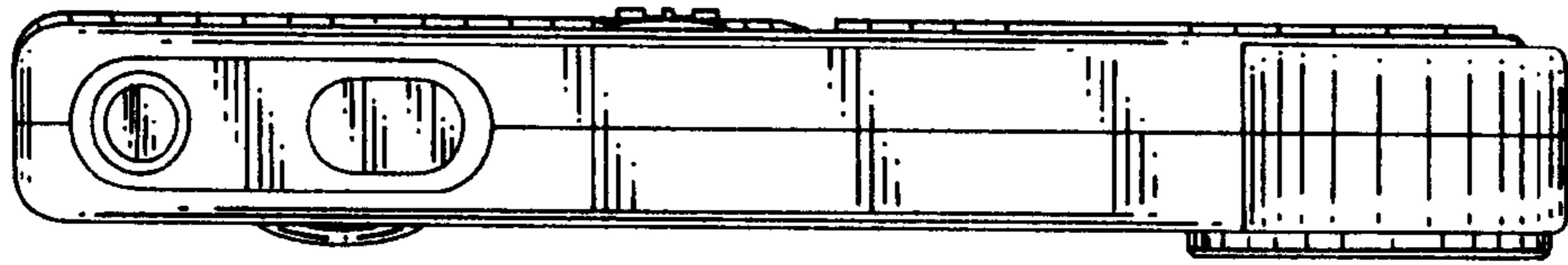


FIG. 5

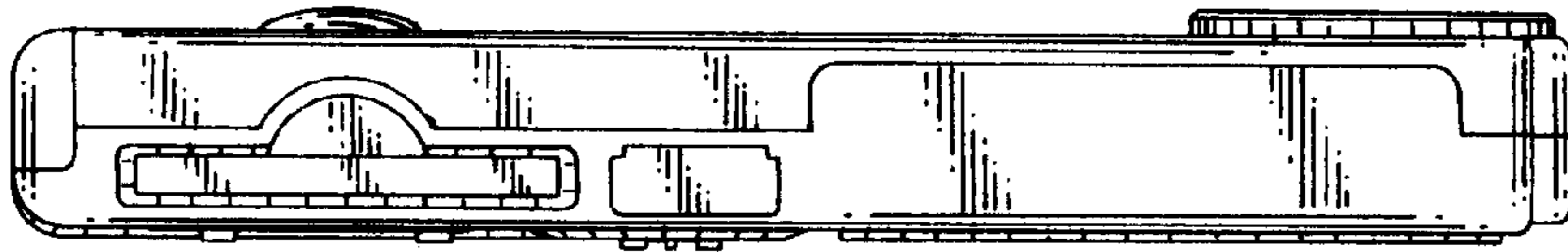


FIG. 6

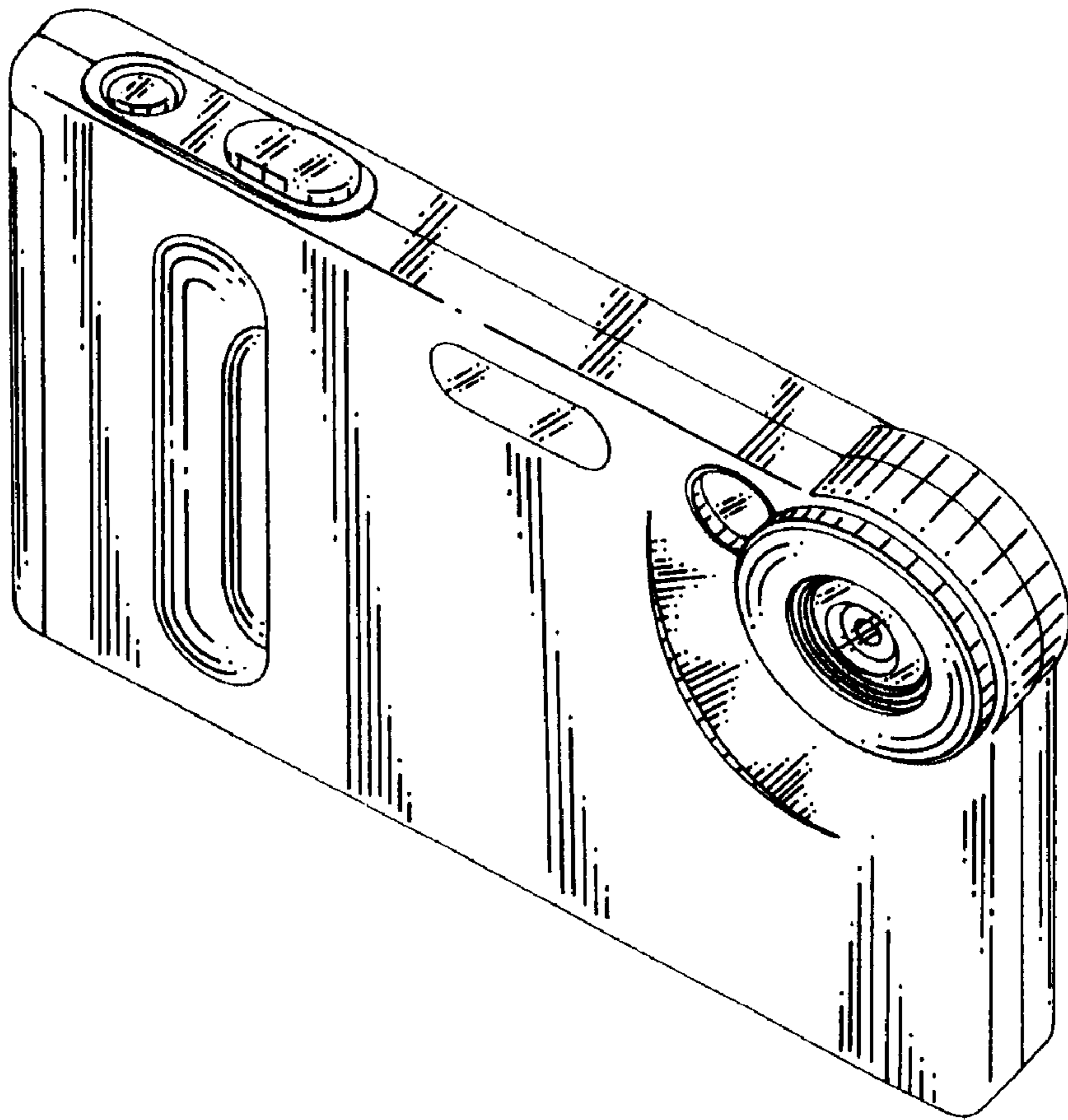


FIG. 7