



US00D474217S

(12) **United States Design Patent**
Suzuki et al.

(10) **Patent No.:** **US D474,217 S**

(45) **Date of Patent:** **** May 6, 2003**

(54) **MICROSCOPE**

(75) Inventors: **Kouji Suzuki**, Hachioji (JP); **Masato Kanao**, Hachioji (JP); **Minoru Hanaoka**, Kamiinagun (JP)

(73) Assignee: **Olympus Optical Co., Ltd.**, Tokyo (JP)

(**) Term: **14 Years**

(21) Appl. No.: **29/163,091**

(22) Filed: **Jun. 26, 2002**

(30) **Foreign Application Priority Data**

Dec. 27, 2001 (JP) 2001-039390

(51) **LOC (7) Cl.** **16-06**

(52) **U.S. Cl.** **D16/131**

(58) **Field of Search** D16/130, 131;
359/368, 382, 383, 384, 389, 399, 419,
430, 802, 804, 809, 810, 811, 816; D21/523

(56) **References Cited**

U.S. PATENT DOCUMENTS

D301,498 S * 6/1989 Nuttal et al. D21/523
D345,748 S * 4/1994 Holbl D16/131

D407,423 S * 3/1999 Pogue et al. D16/131
D413,343 S * 8/1999 DiResta D16/131
D419,168 S * 1/2000 Franks et al. D16/131
D428,030 S * 7/2000 Konno D16/131

* cited by examiner

Primary Examiner—Paula A. Mortimer

(74) *Attorney, Agent, or Firm*—Hogan & Hartson, LLP

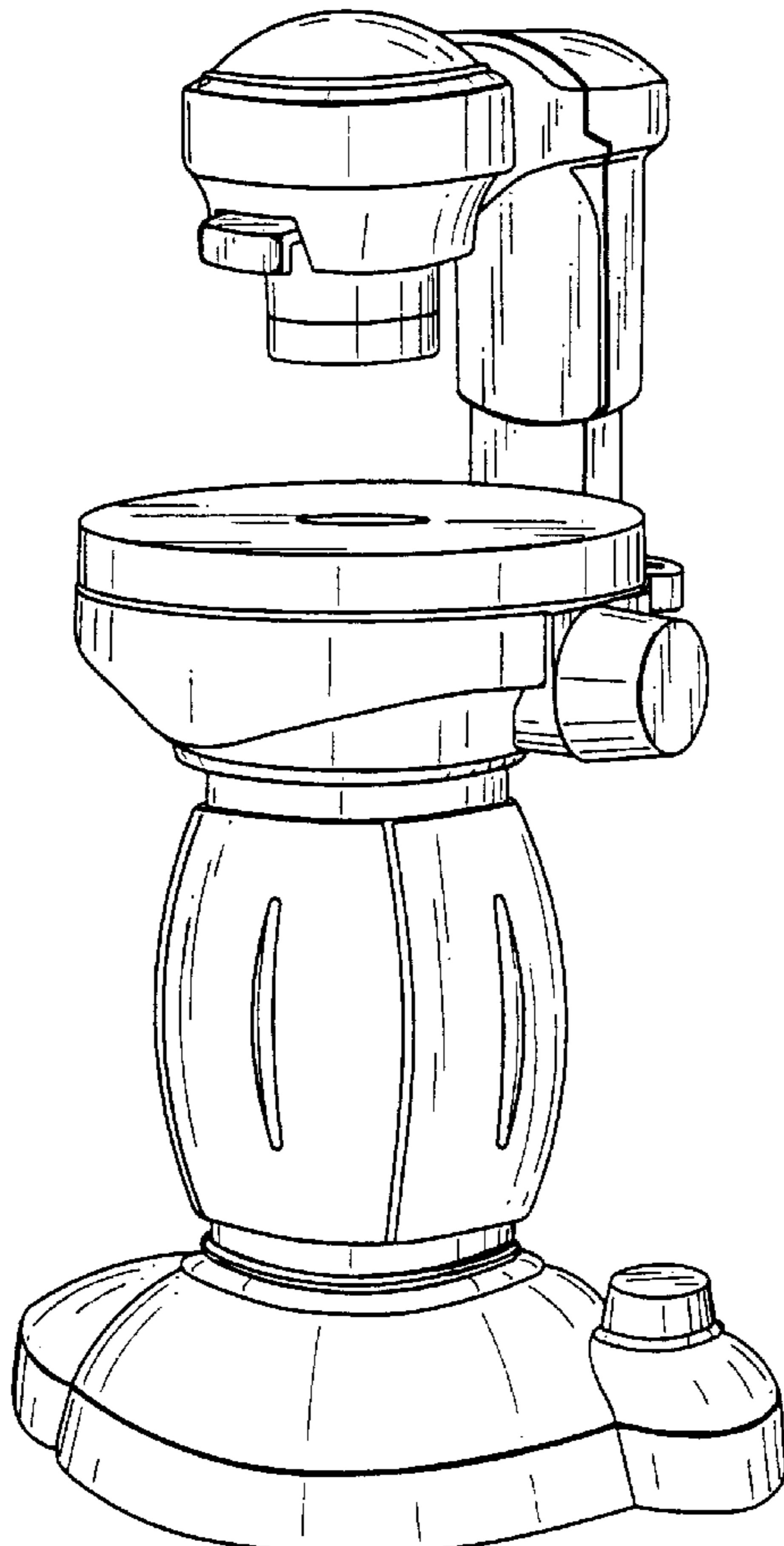
(57) **CLAIM**

The ornamental design for a microscope, as shown and described.

DESCRIPTION

FIG. 1 is a front, top and right side perspective view of a microscope, showing our new design;
FIG. 2 is a front elevational view thereof;
FIG. 3 is a right side elevational view thereof;
FIG. 4 is a top plan view thereof;
FIG. 5 is a bottom plan view thereof;
FIG. 6 is a rear elevational view thereof;
FIG. 7 is a left side elevational view thereof; and,
FIG. 8 is a front elevational view thereof with its lighting section turned.

1 Claim, 3 Drawing Sheets



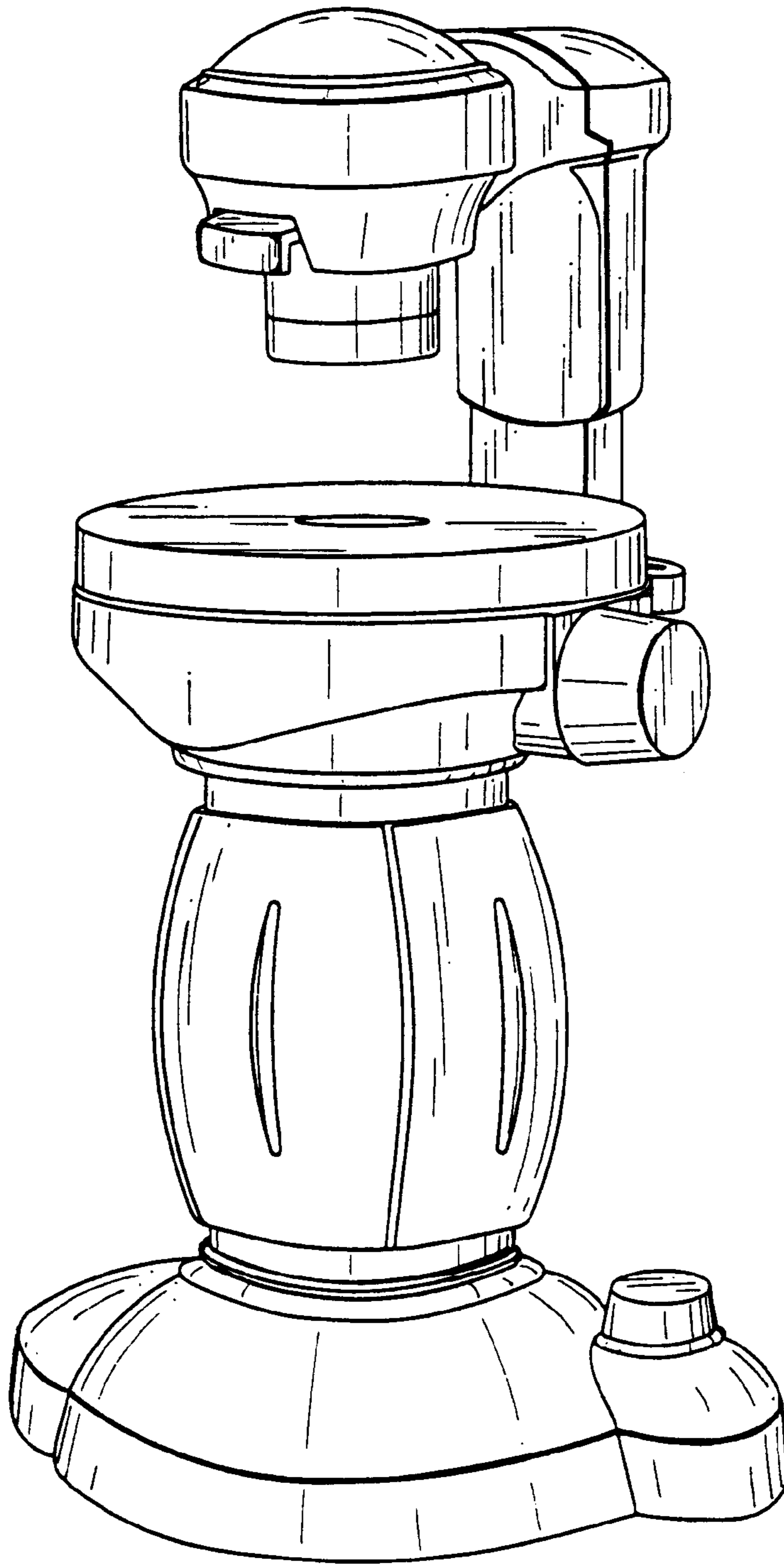


FIG. 1

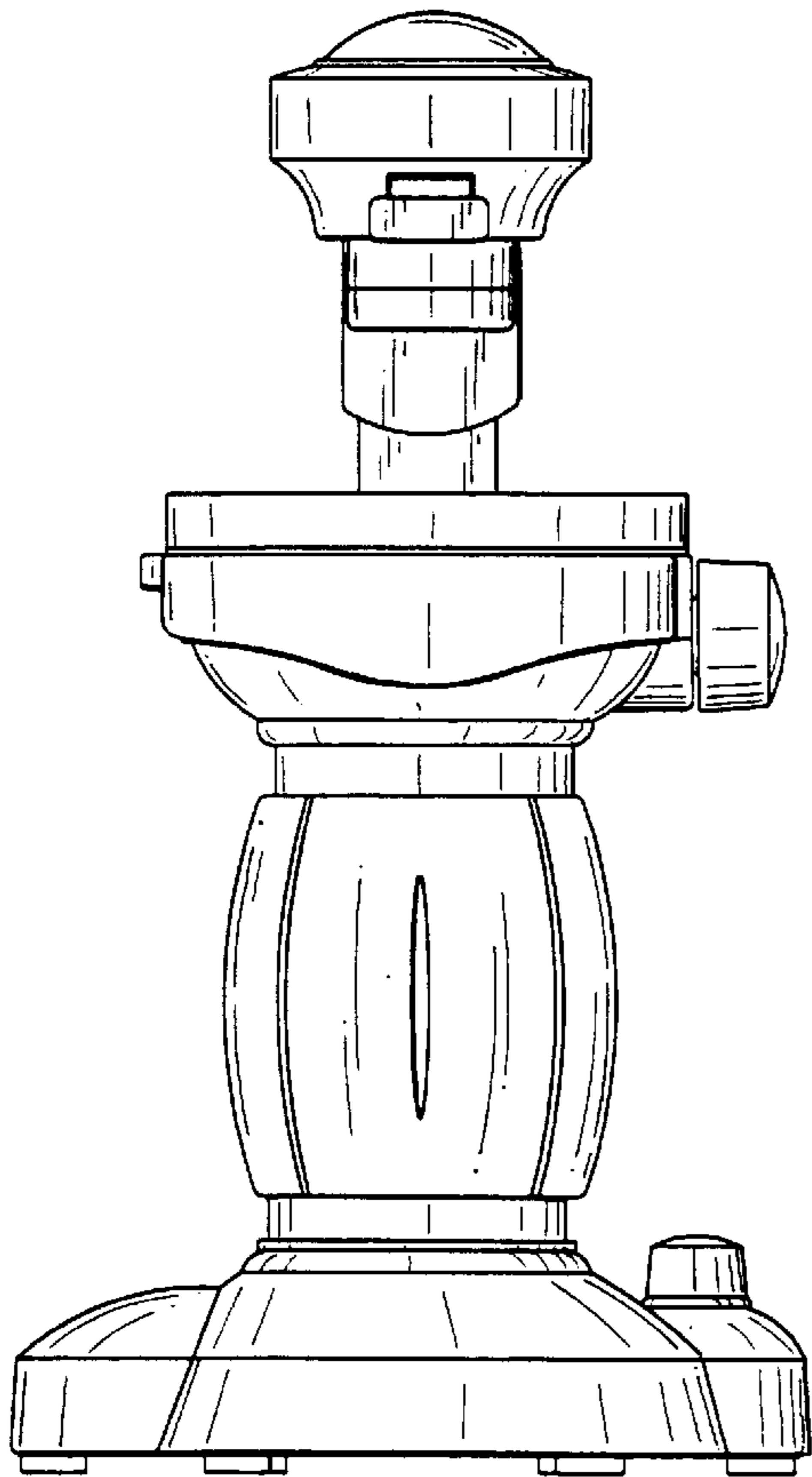


FIG. 2

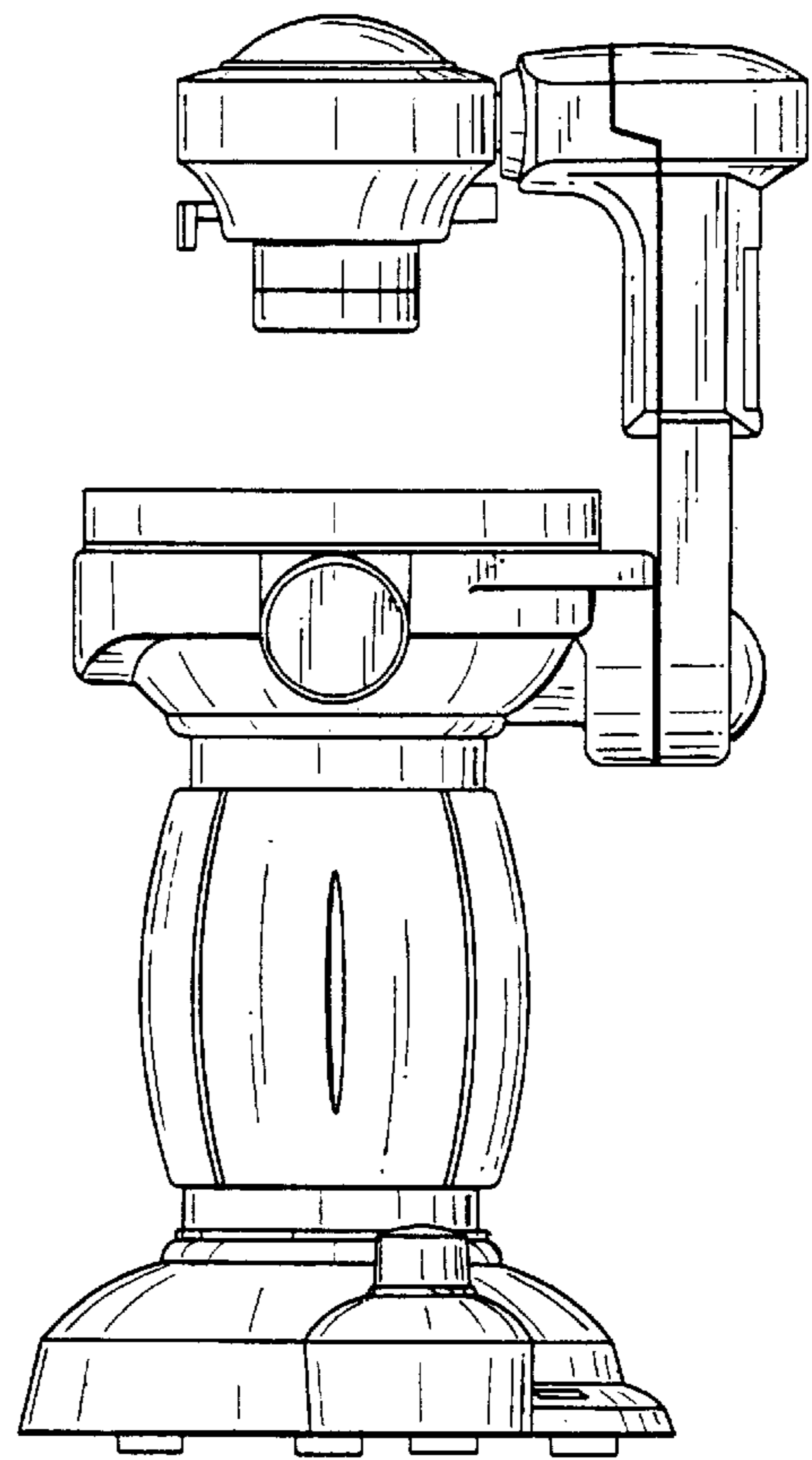


FIG. 3

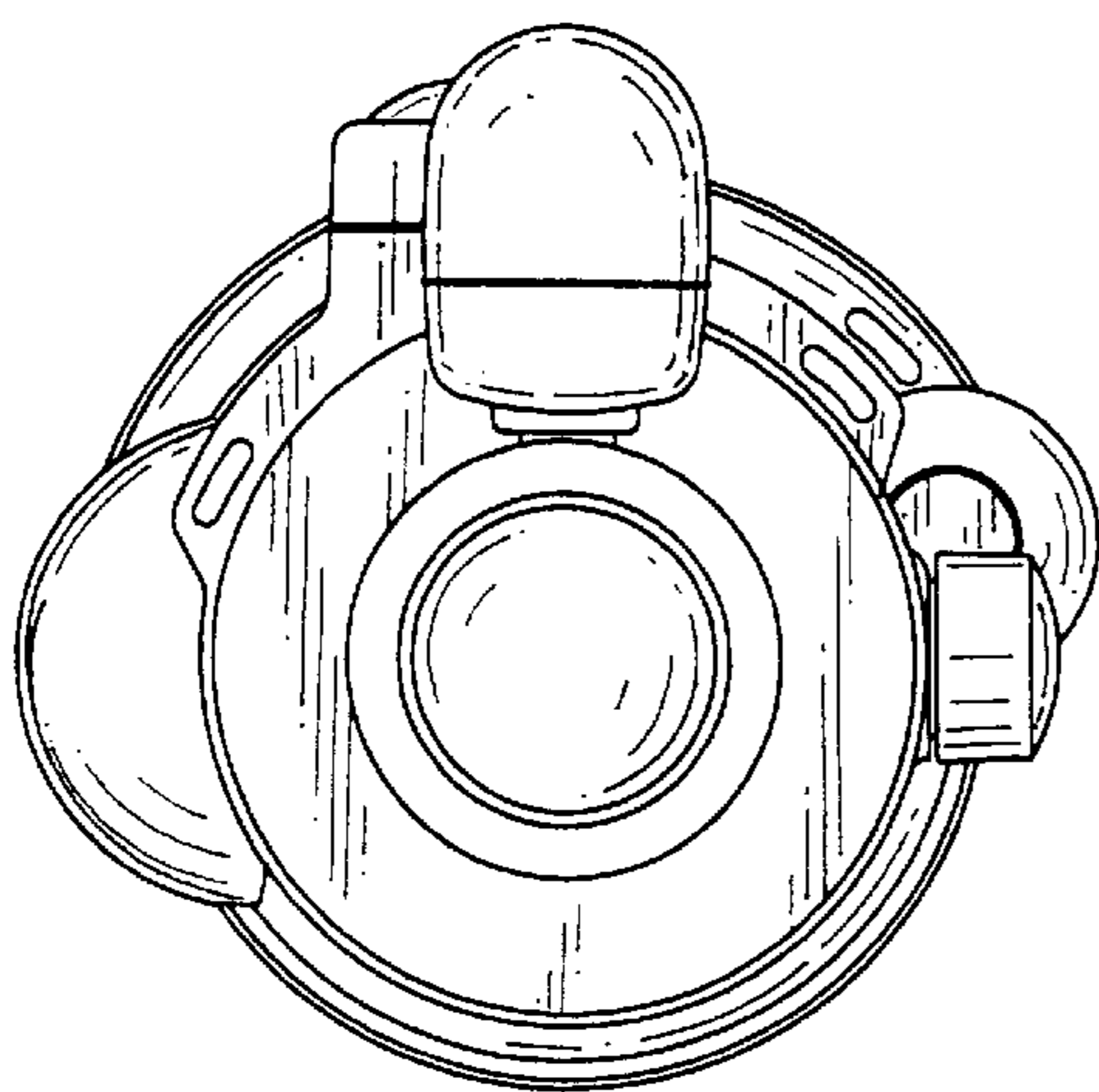


FIG. 4

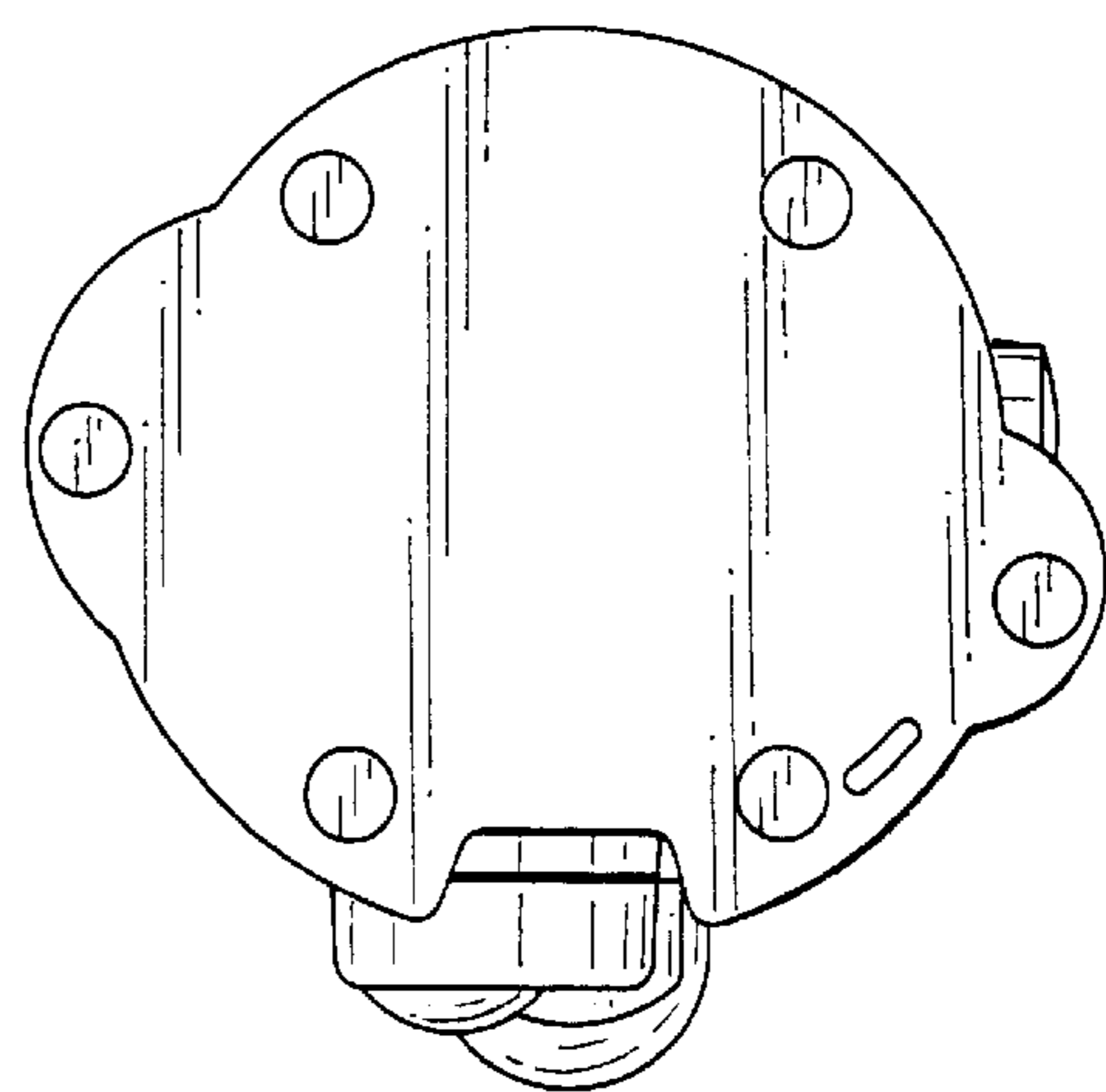


FIG. 5

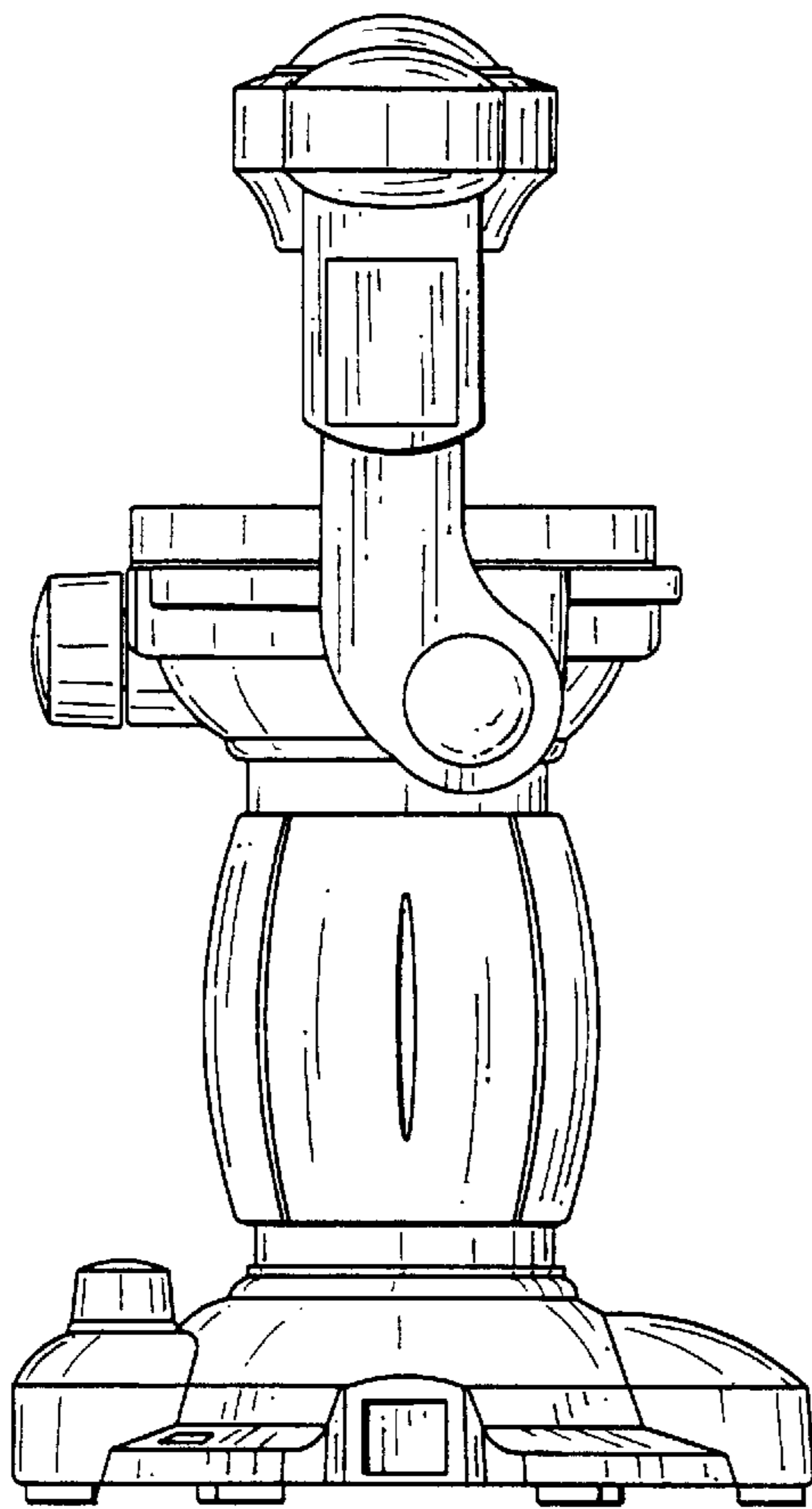


FIG. 6

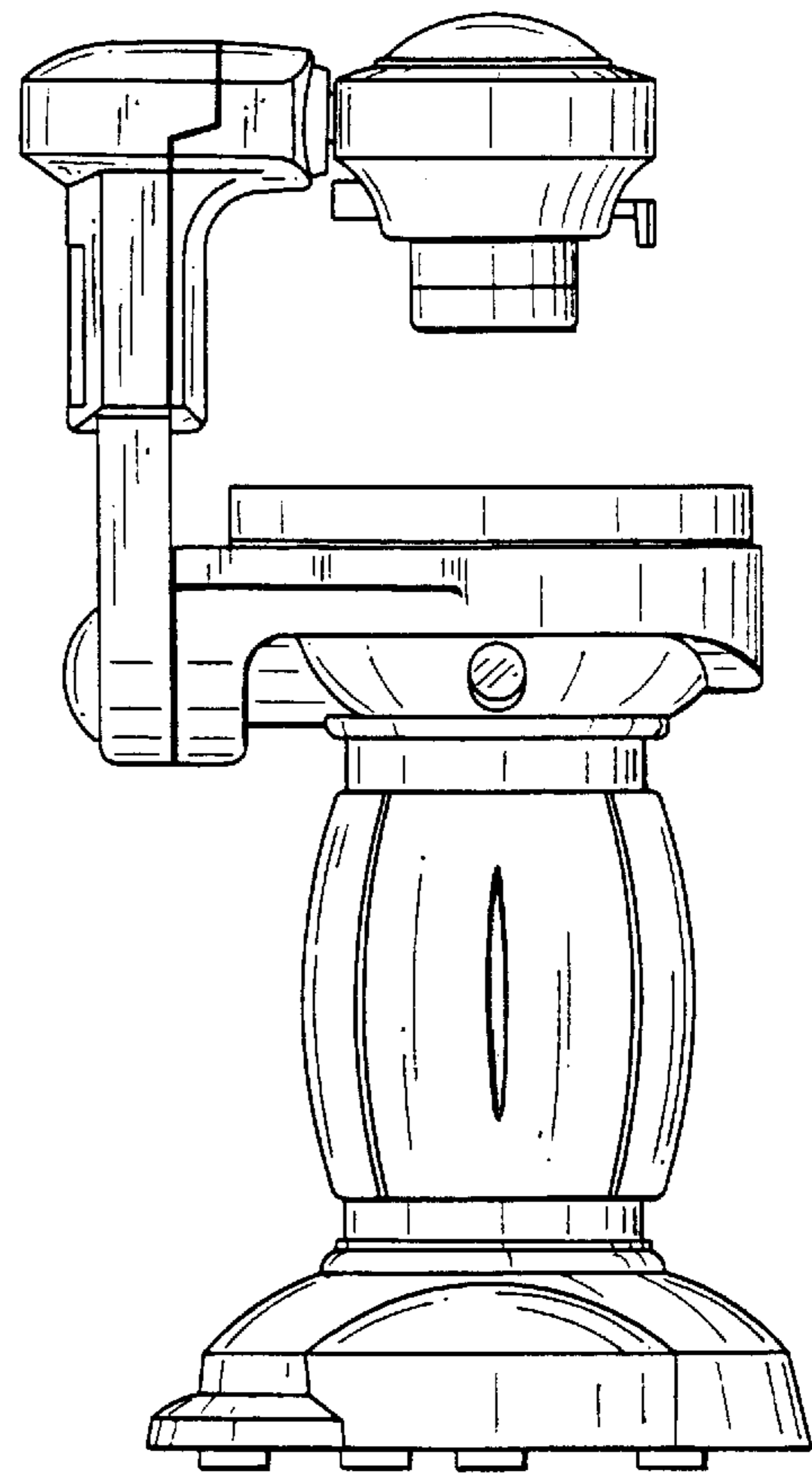


FIG. 7

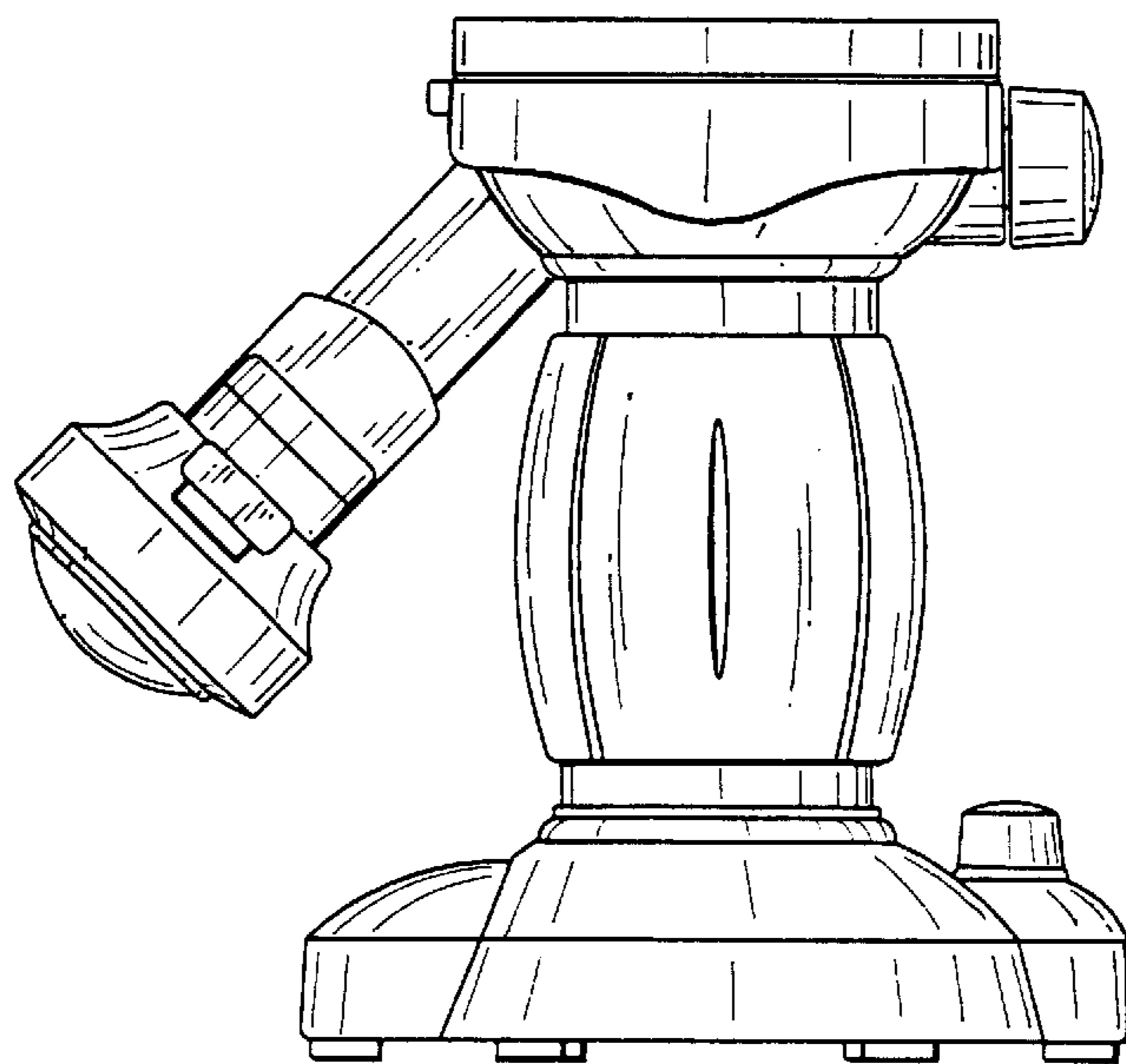


FIG. 8