



US00D474216S

(12) **United States Design Patent**
Siu

(10) **Patent No.:** **US D474,216 S**

(45) **Date of Patent:** **** May 6, 2003**

(54) **WATCH WINDING MACHINE**

(75) **Inventor:** **Tze Sing Siu, Kowloon (CN)**

(73) **Assignee:** **Everwell Instruments Limited, Kowloon (CN)**

(**) **Term:** **14 Years**

(21) **Appl. No.:** **29/162,120**

(22) **Filed:** **Jun. 10, 2002**

(30) **Foreign Application Priority Data**

Jan. 25, 2002 (HK) 0210125

(51) **LOC (7) Cl. 15-99**

(52) **U.S. Cl. D15/199**

(58) **Field of Search D15/199; 368/10, 368/206-209; 366/14; 81/7.5**

(56) **References Cited**

U.S. PATENT DOCUMENTS

5,988,871 A * 11/1999 Bonnet 368/206
6,243,270 B1 * 6/2001 Yee 368/206
D455,449 S * 4/2002 Siu D15/199

* cited by examiner

Primary Examiner—Antoine Duval Davis

(74) *Attorney, Agent, or Firm*—Alix, Yale & Ristas, LLP

(57) **CLAIM**

The ornamental design for a watch winding machine, as shown and described.

DESCRIPTION

FIG. 1 is a front perspective view of the watch winding machine showing my new design;

FIG. 2 is a front view of the watch winding machine of FIG. 1;

FIG. 3 is a rear view of the watch winding machine of FIG. 1;

FIG. 4 is a left side view of the watch winding machine of FIG. 1;

FIG. 5 is a right side view of the watch winding machine of FIG. 1;

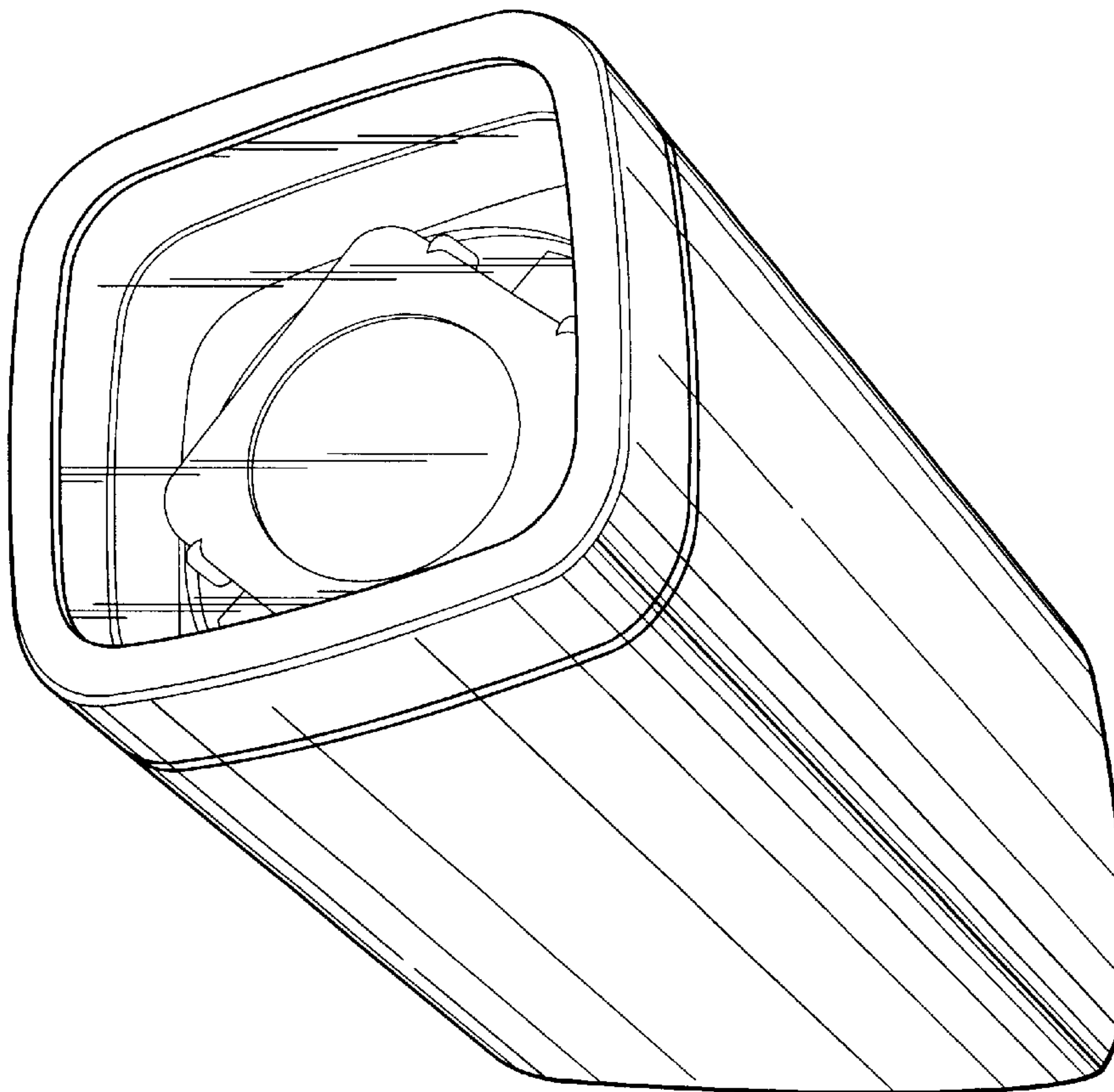
FIG. 6 is a top plan view of the watch winding machine of FIG. 1;

FIG. 7 is a bottom plan view of the watch winding machine of FIG. 1;

FIG. 8 is a right side view of the watch winding machine of FIG. 1 illustrated in an operation mode; and,

FIG. 9 is a front view of the watch winding machine of FIG. 1 illustrated in an operation mode.

1 Claim, 7 Drawing Sheets



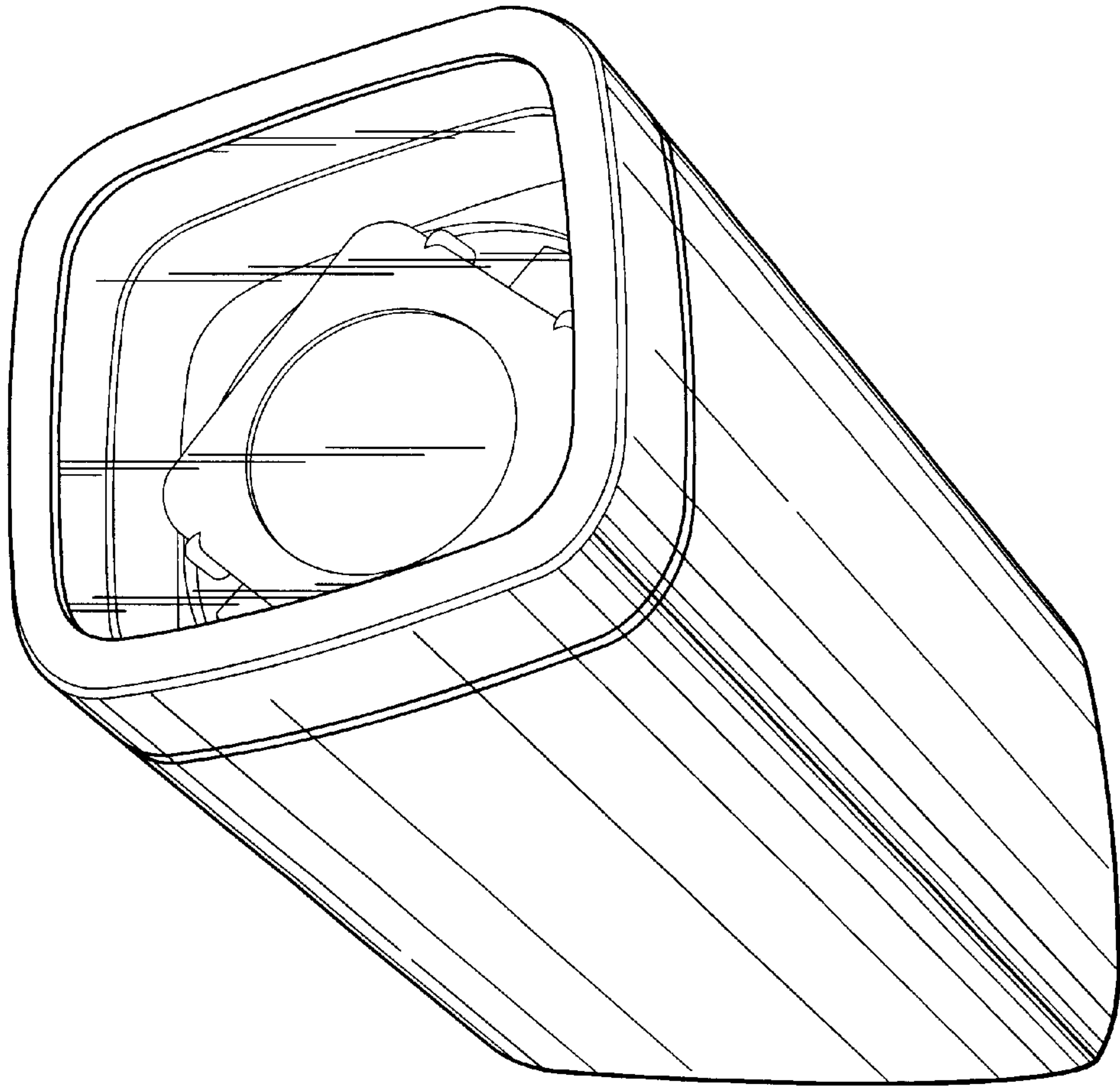


FIG. 1

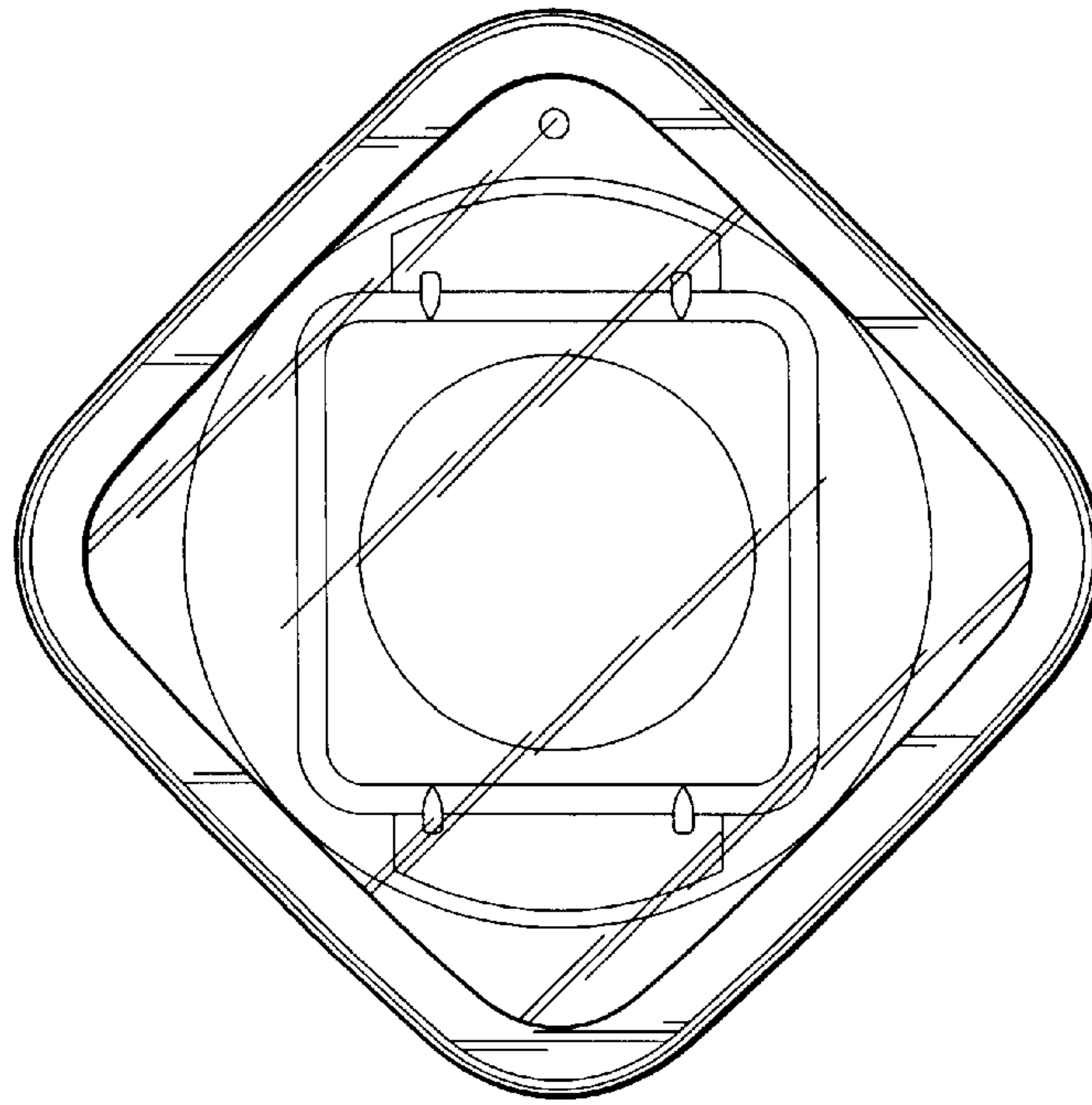


FIG. 2

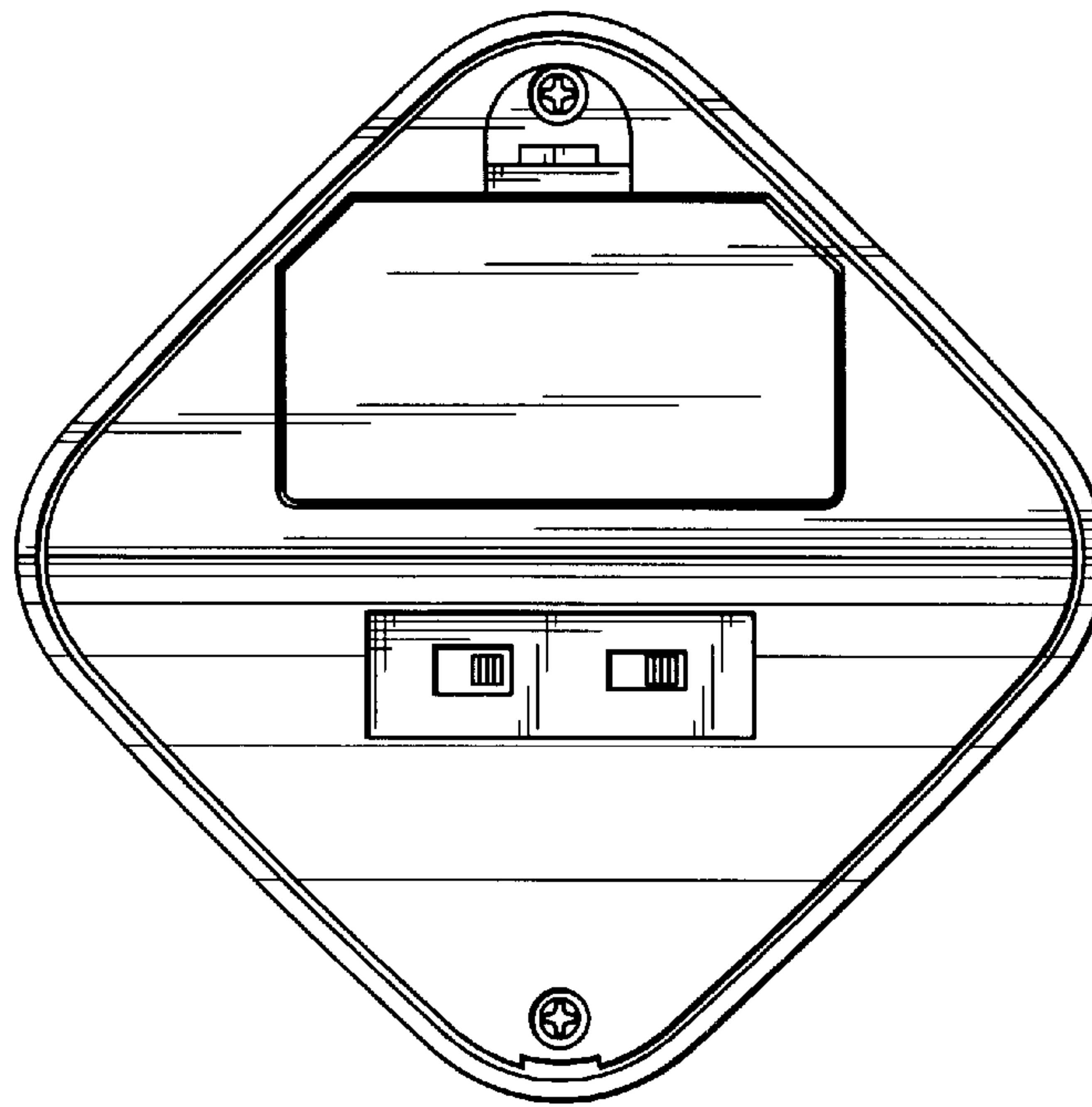


FIG. 3

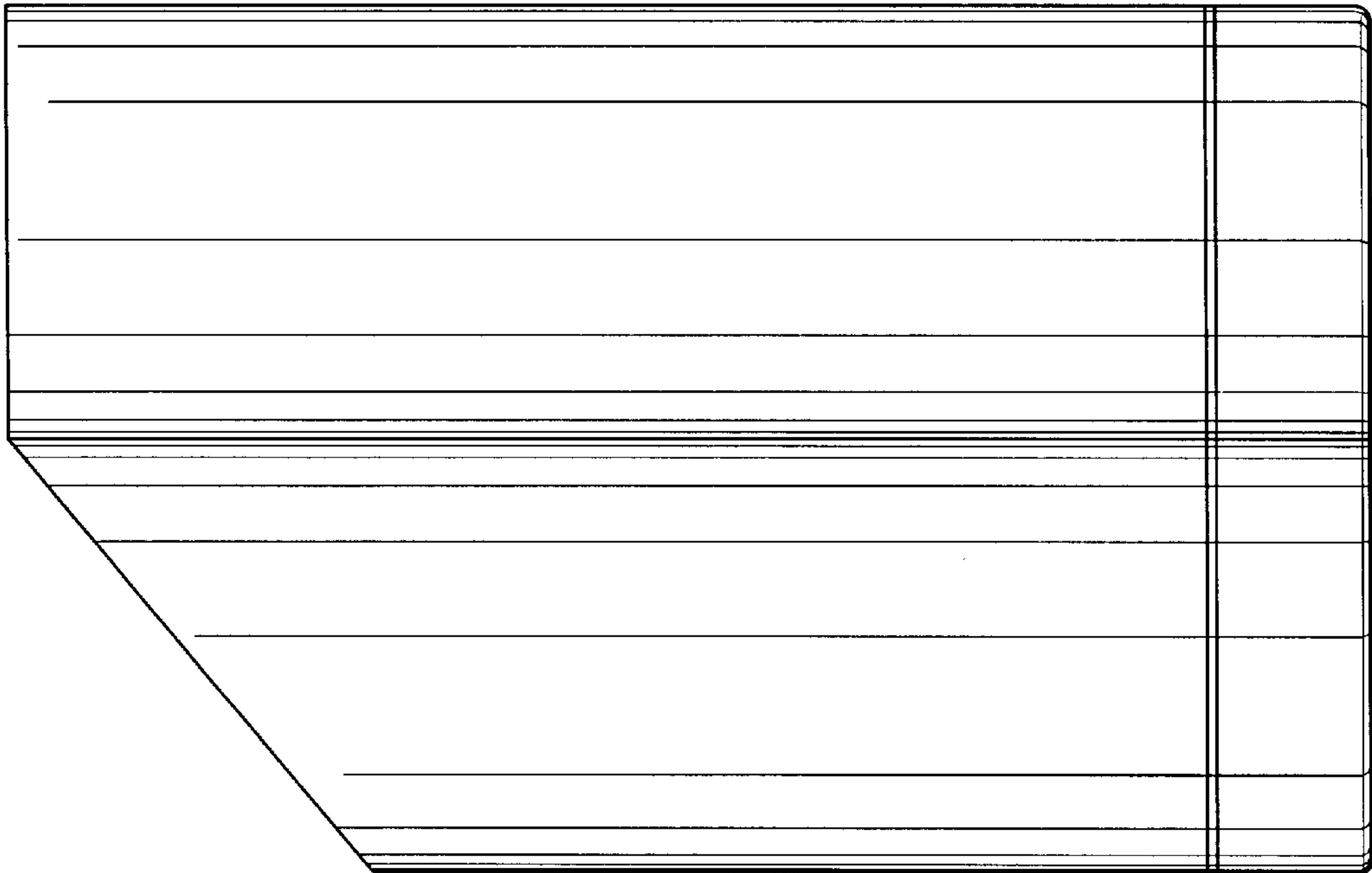


FIG. 4

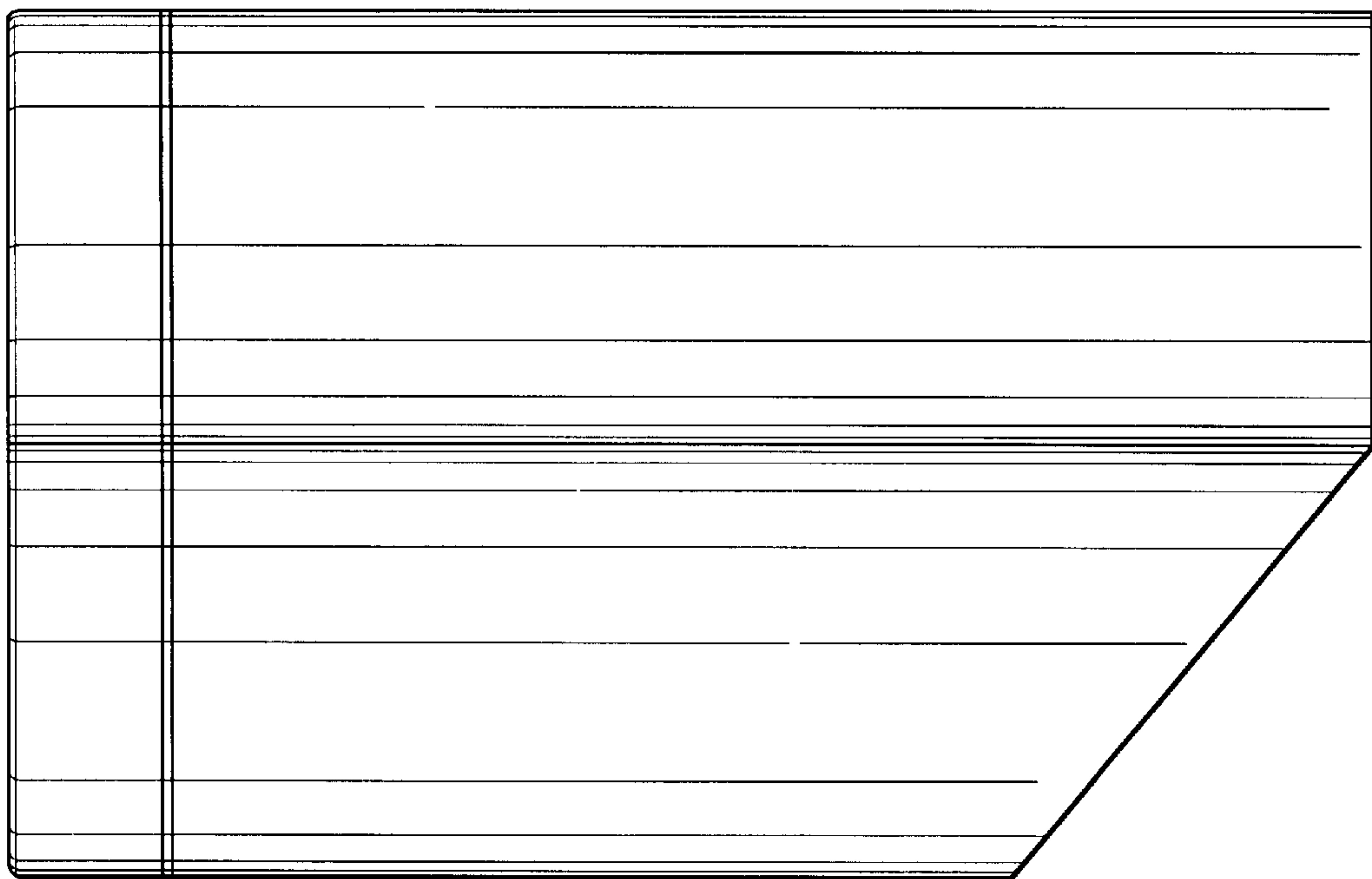


FIG. 5

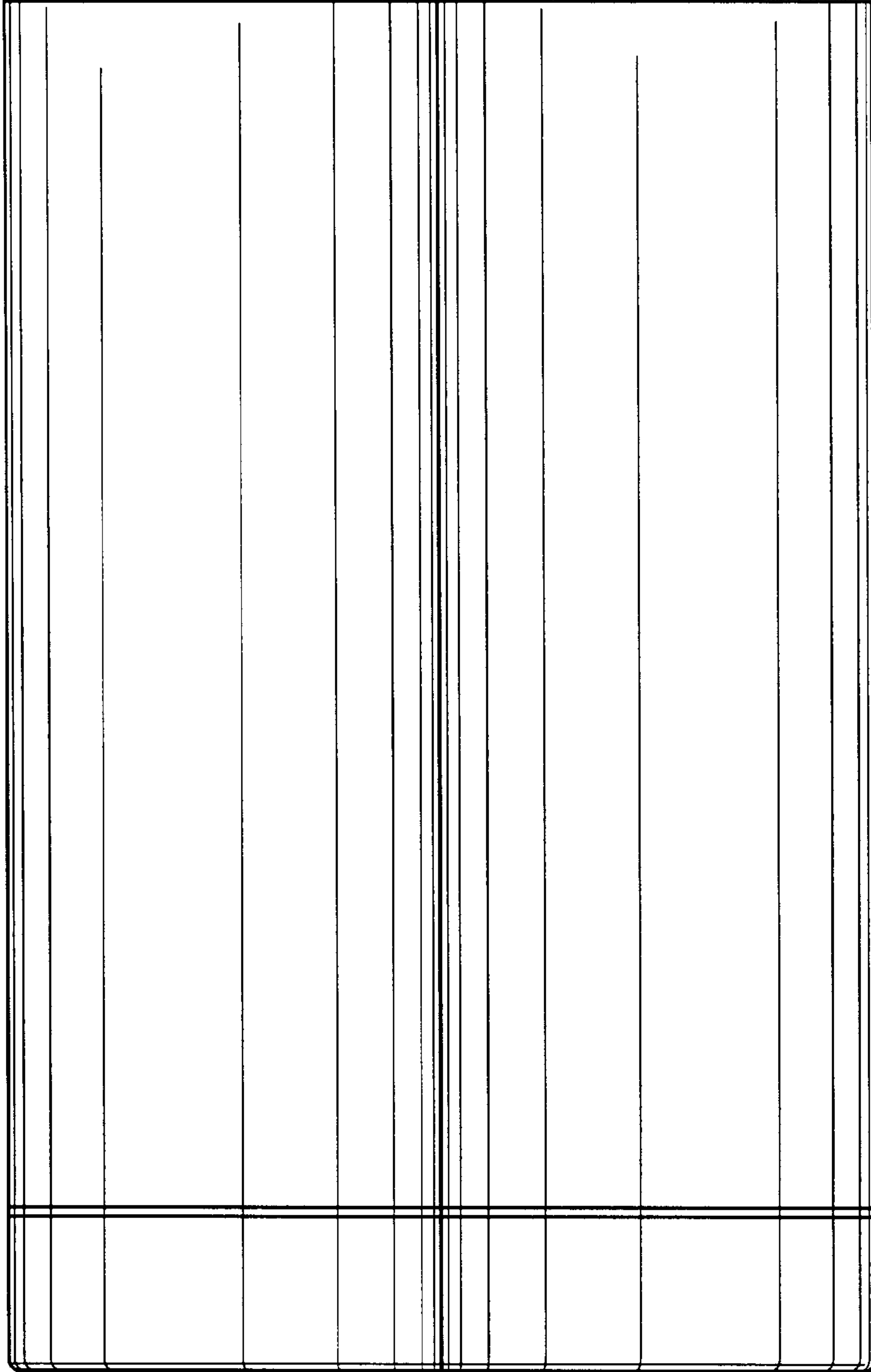


FIG. 6

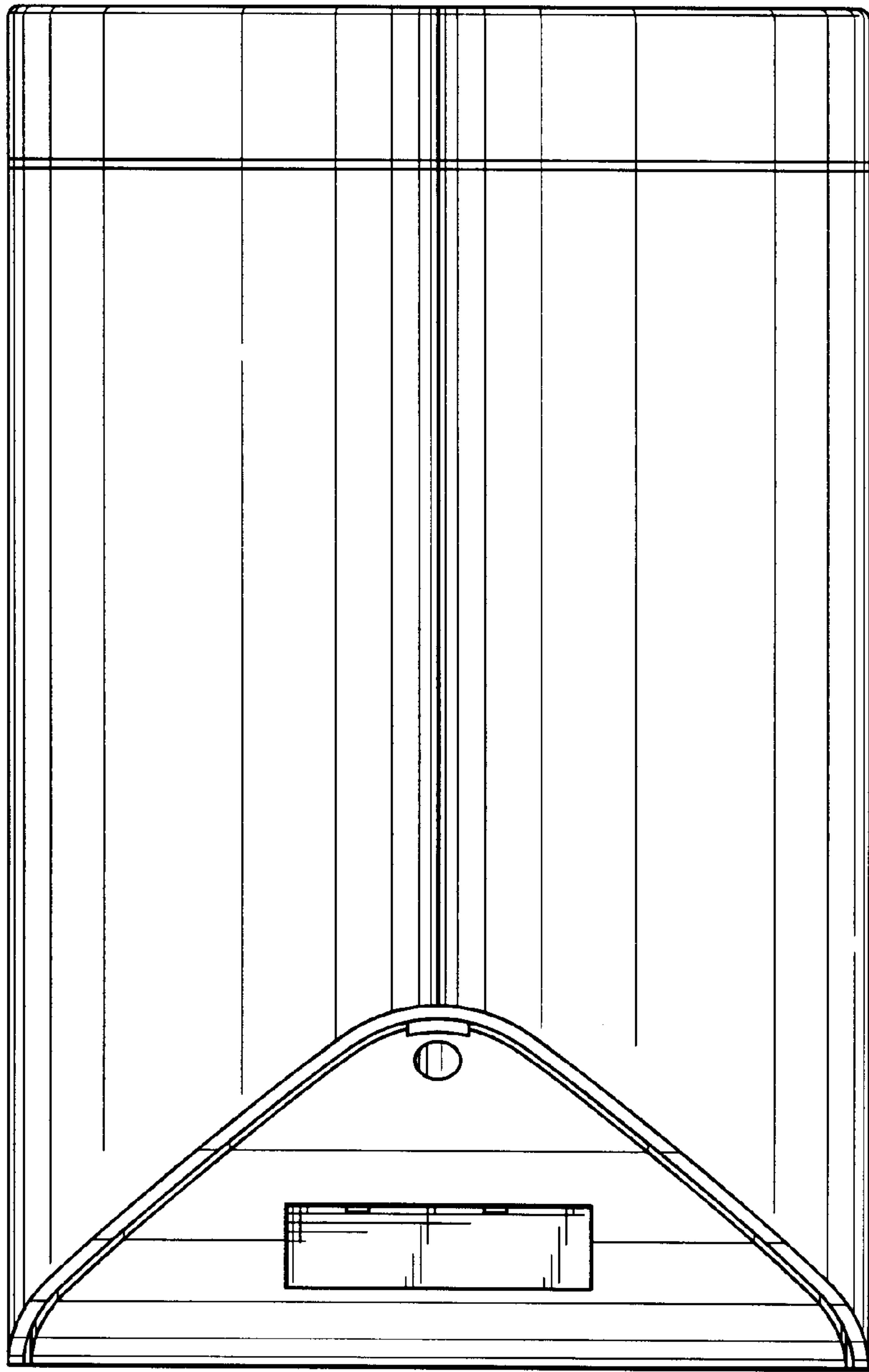


FIG. 7

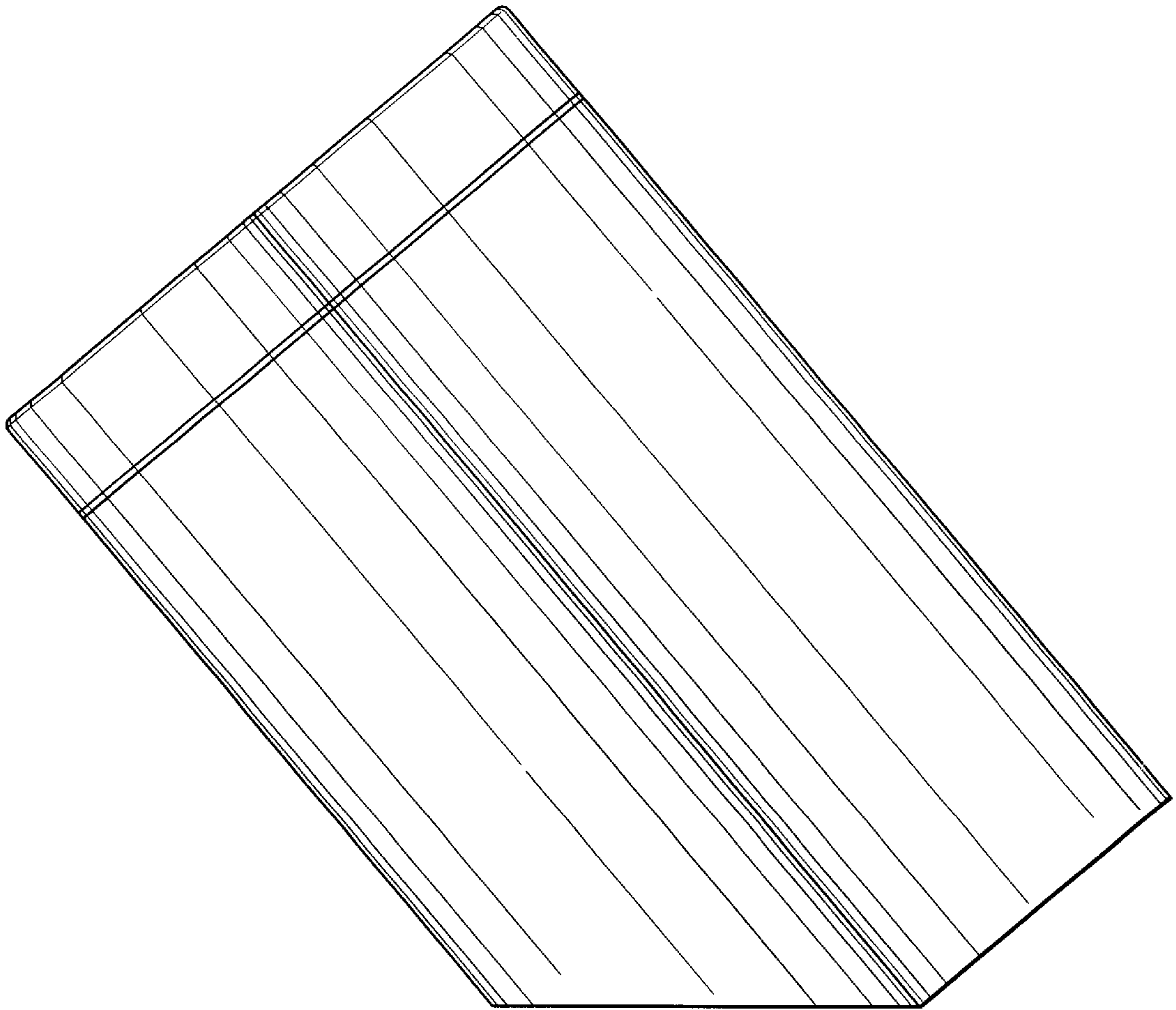


FIG. 8

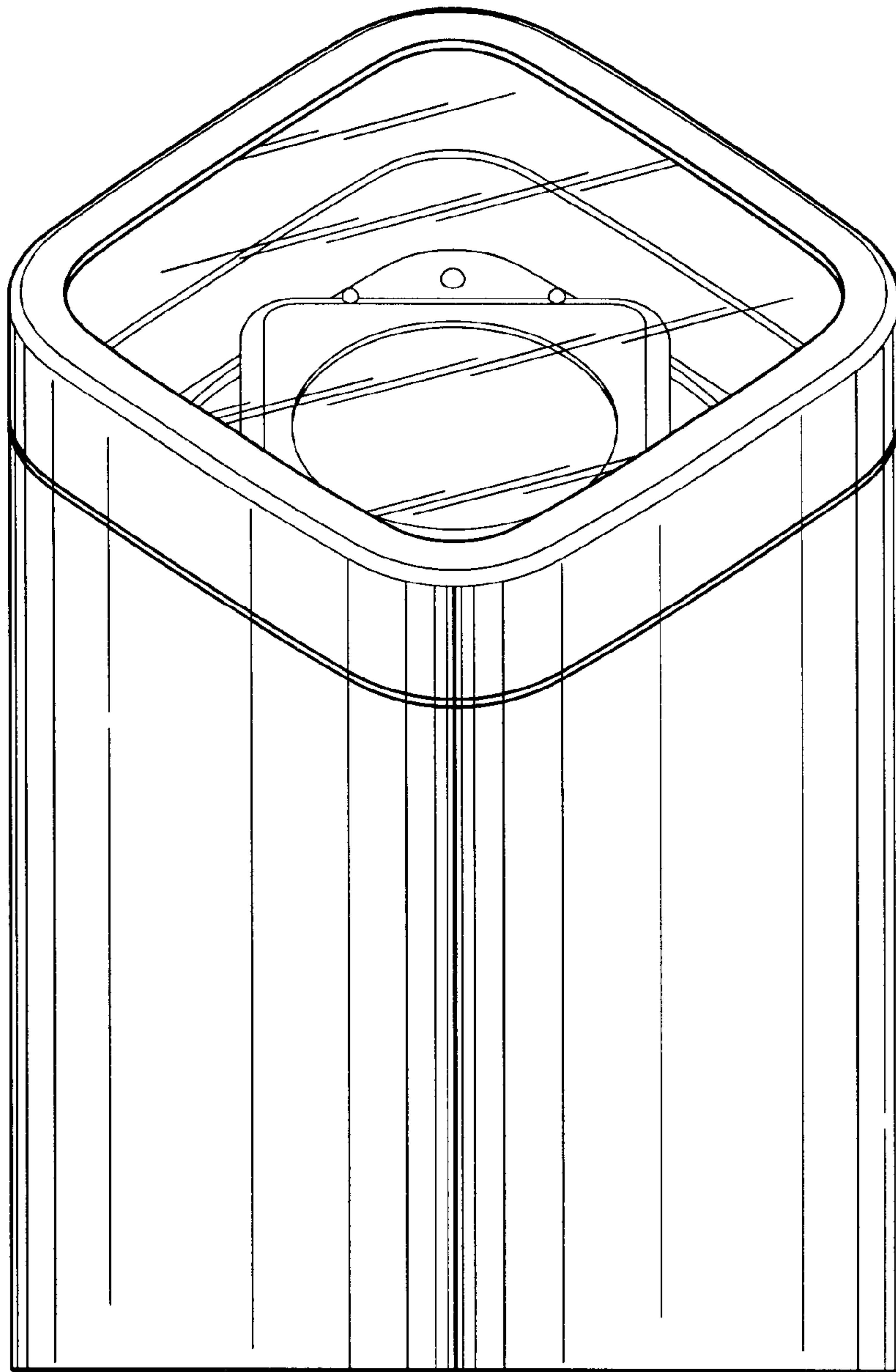


FIG. 9