



US00D474213S

(12) **United States Design Patent**  
**Brockett et al.**

(10) **Patent No.:** **US D474,213 S**

(45) **Date of Patent:** **\*\* May 6, 2003**

(54) **INDEXABLE CUTTING INSERT**

D422,608 S 4/2000 Malaker et al.

D427,215 S \* 6/2000 Nelson ..... D15/139

(75) Inventors: **Brendan Brockett**, Dearborn Heights, MI (US); **Karl Katbi**, Troy, MI (US); **Thomas J. Bernadic**, Madison Heights, MI (US)

\* cited by examiner

*Primary Examiner*—Antoine Duval Davis  
(74) *Attorney, Agent, or Firm*—Burns Doane Swecker & Mathis L.L.P.

(73) Assignee: **Valenite Inc.**, Madison Heights, MI (US)

(57) **CLAIM**

(\*\*) Term: **14 Years**

The ornamental design for an indexable cutting insert, as shown and described.

(21) Appl. No.: **29/161,313**

**DESCRIPTION**

(22) Filed: **May 29, 2002**

(51) **LOC (7) Cl.** ..... **15-09**

(52) **U.S. Cl.** ..... **D15/139**

(58) **Field of Search** ..... D15/139; 407/113-117

FIG. 1 is a perspective view of a cutting insert illustrating the indexable cutting insert according to our new design.

FIG. 2 is a top plan view thereof;

FIG. 3 is a partial sectional view taken along line 3—3 of FIG. 2; and,

FIG. 4 is a partial sectional view taken along line 4—4 of FIG. 2.

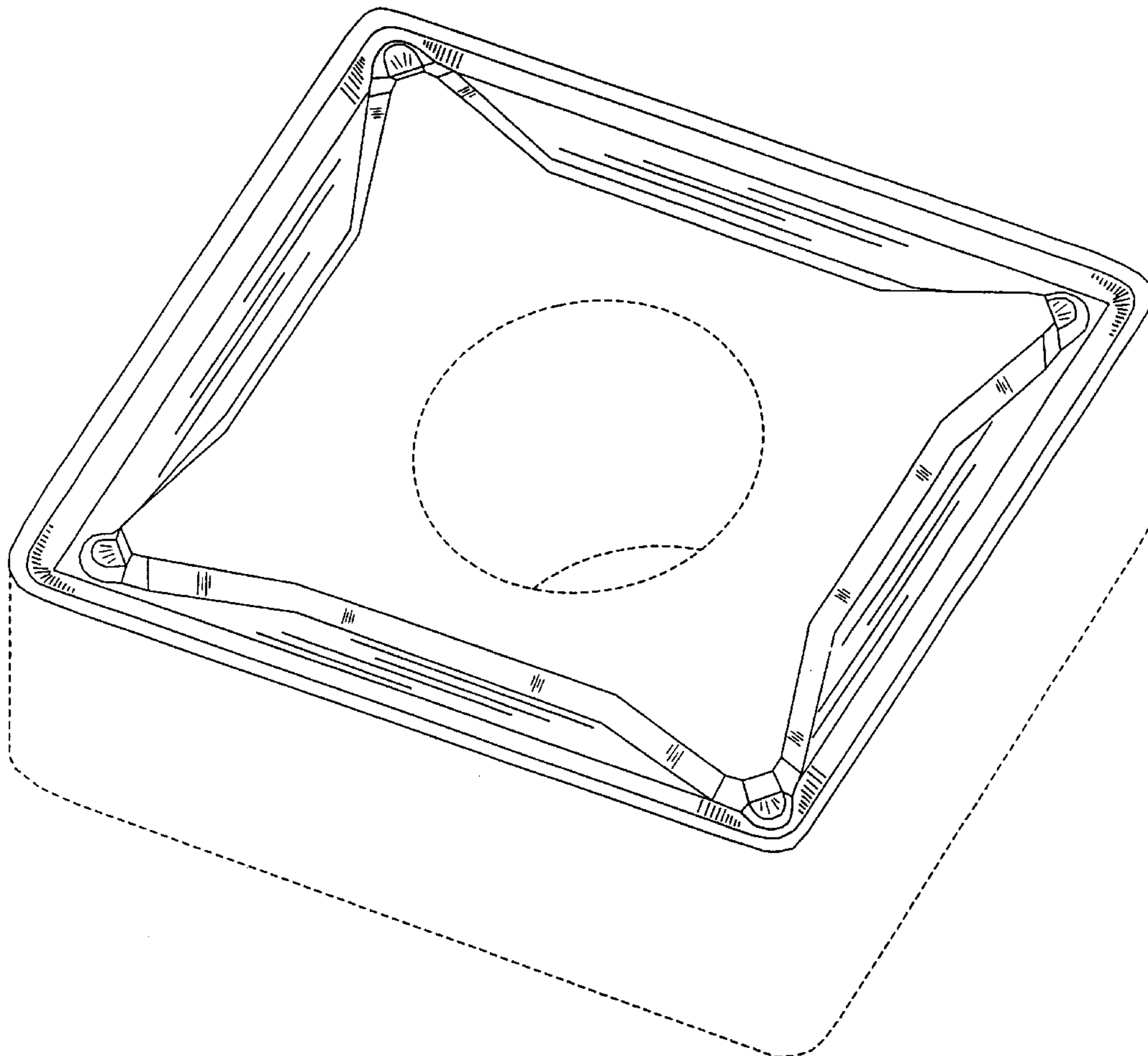
The broken line showing is for illustrative purposes only and forms no part of the claimed design.

(56) **References Cited**

**U.S. PATENT DOCUMENTS**

- 5,449,255 A 9/1995 Katbi et al.
- 5,599,141 A 2/1997 Katbi et al.
- D409,633 S 5/1999 Bernadic et al.

**1 Claim, 2 Drawing Sheets**



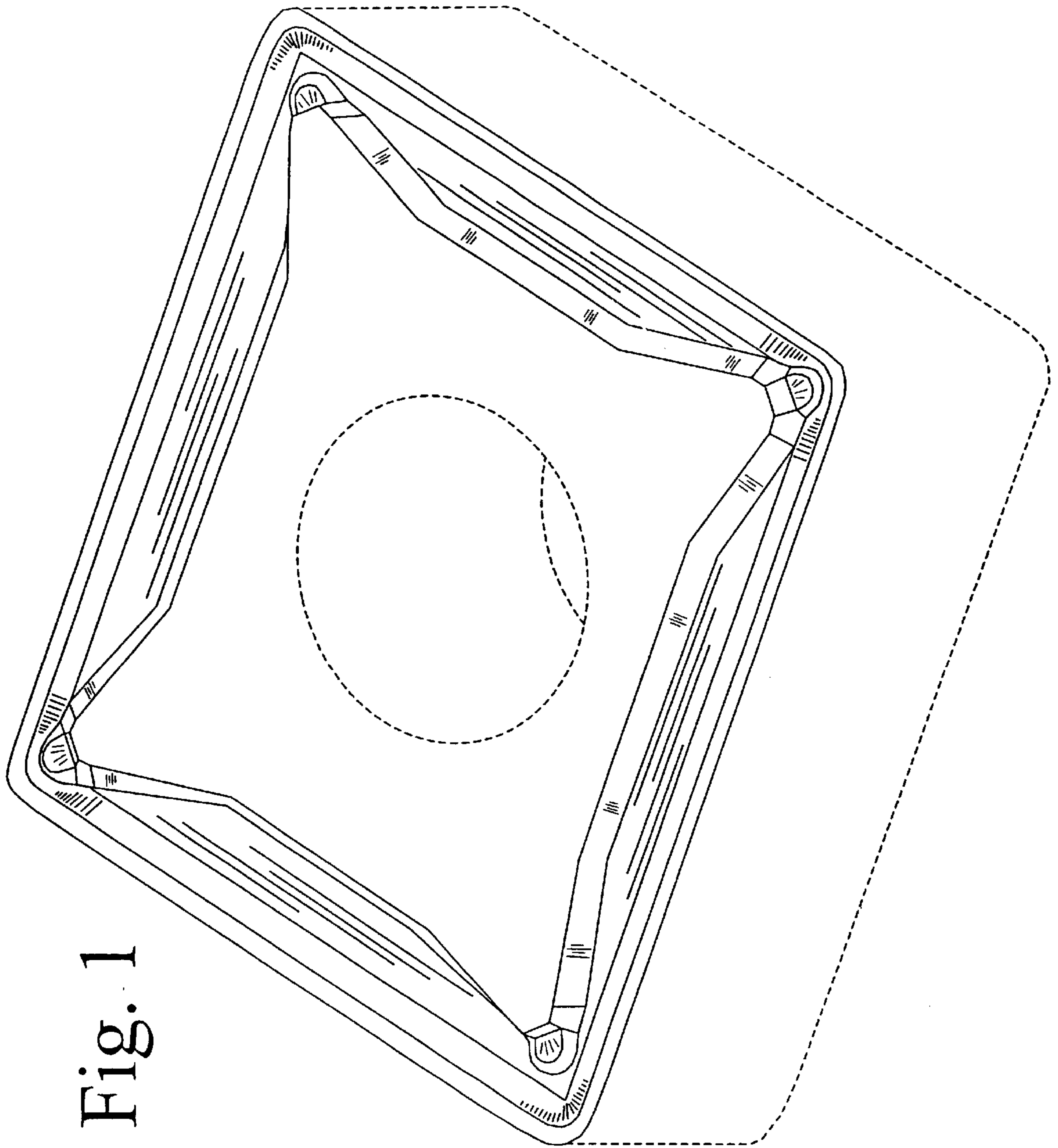


Fig. 1

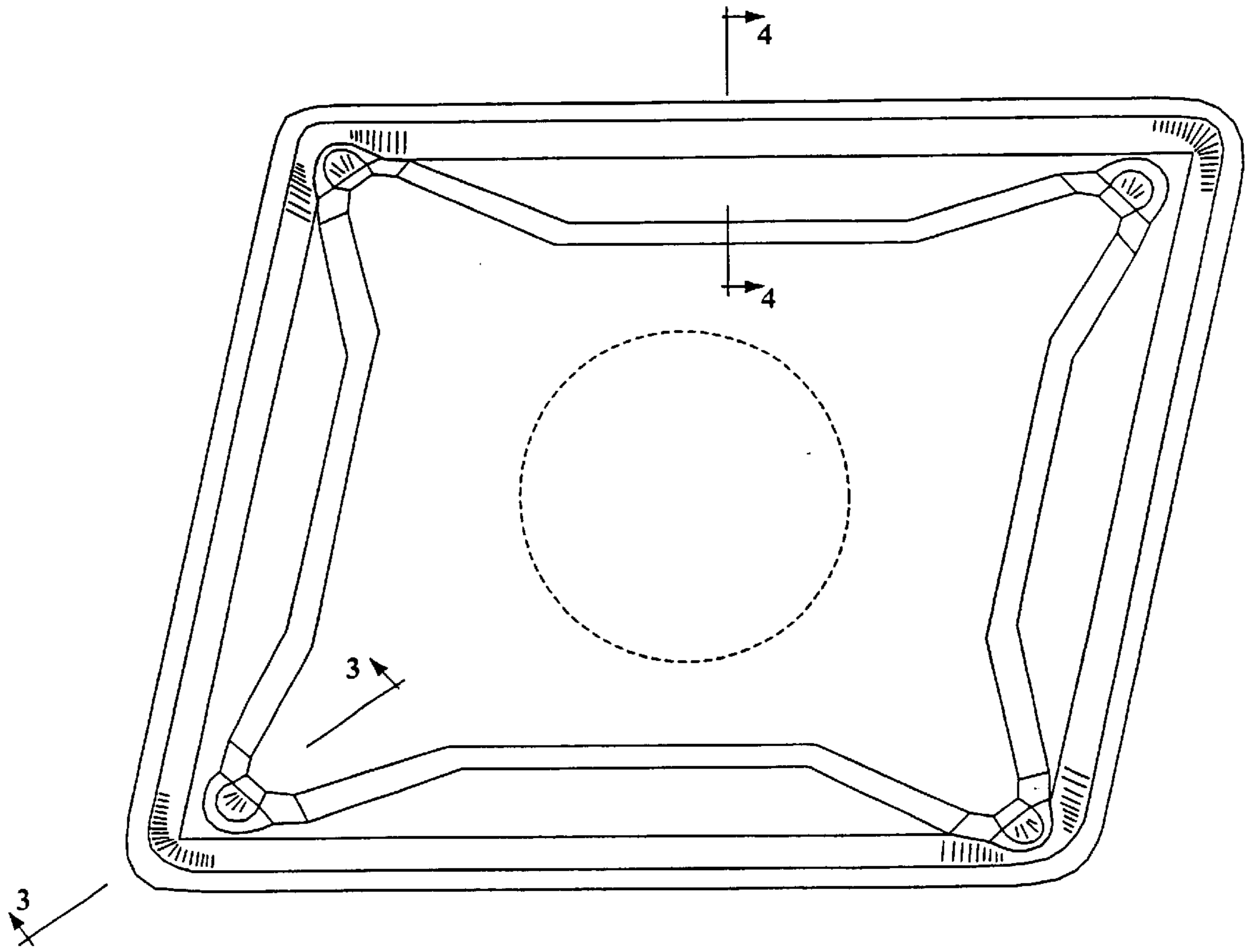


Fig. 2

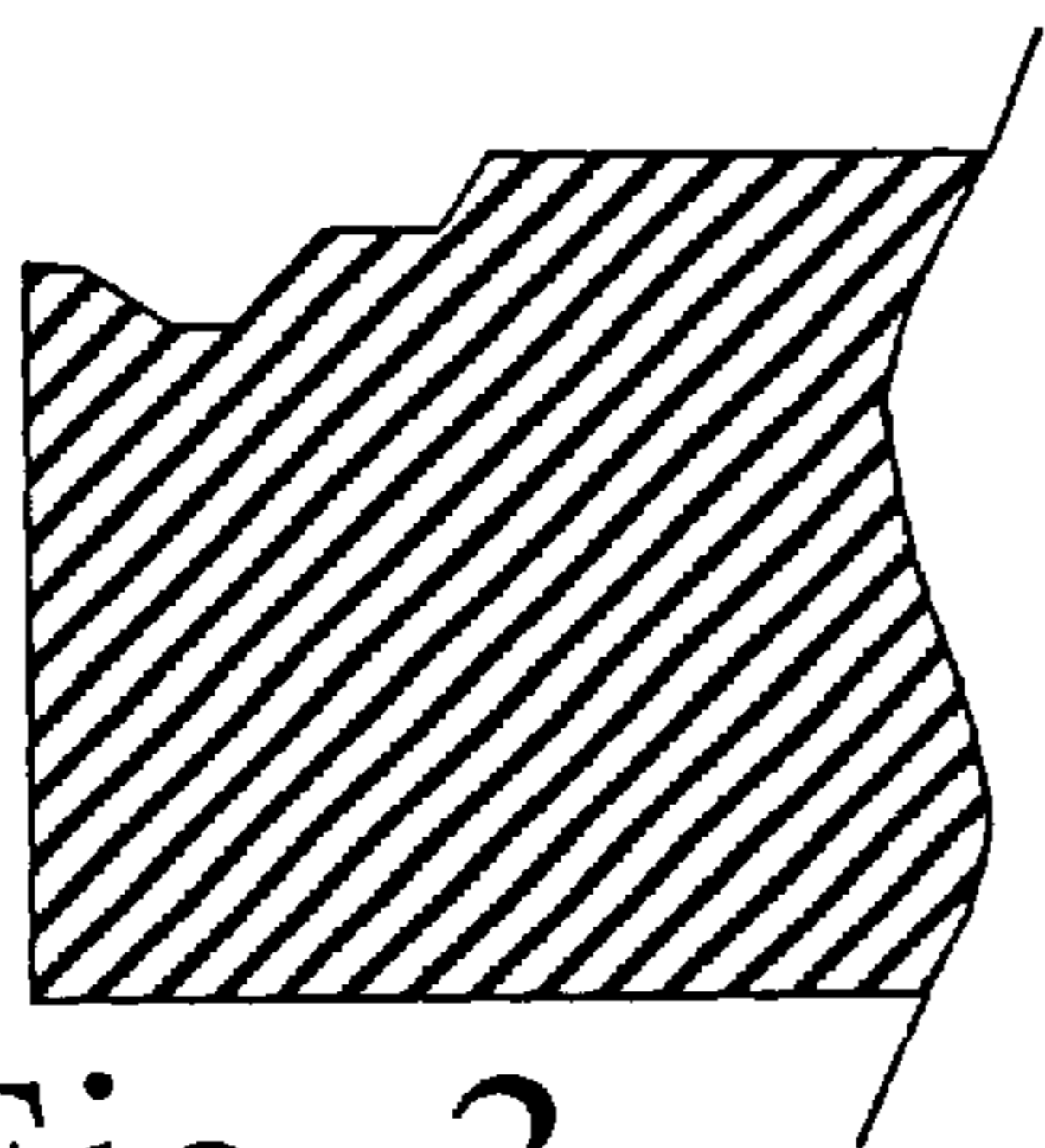


Fig. 3

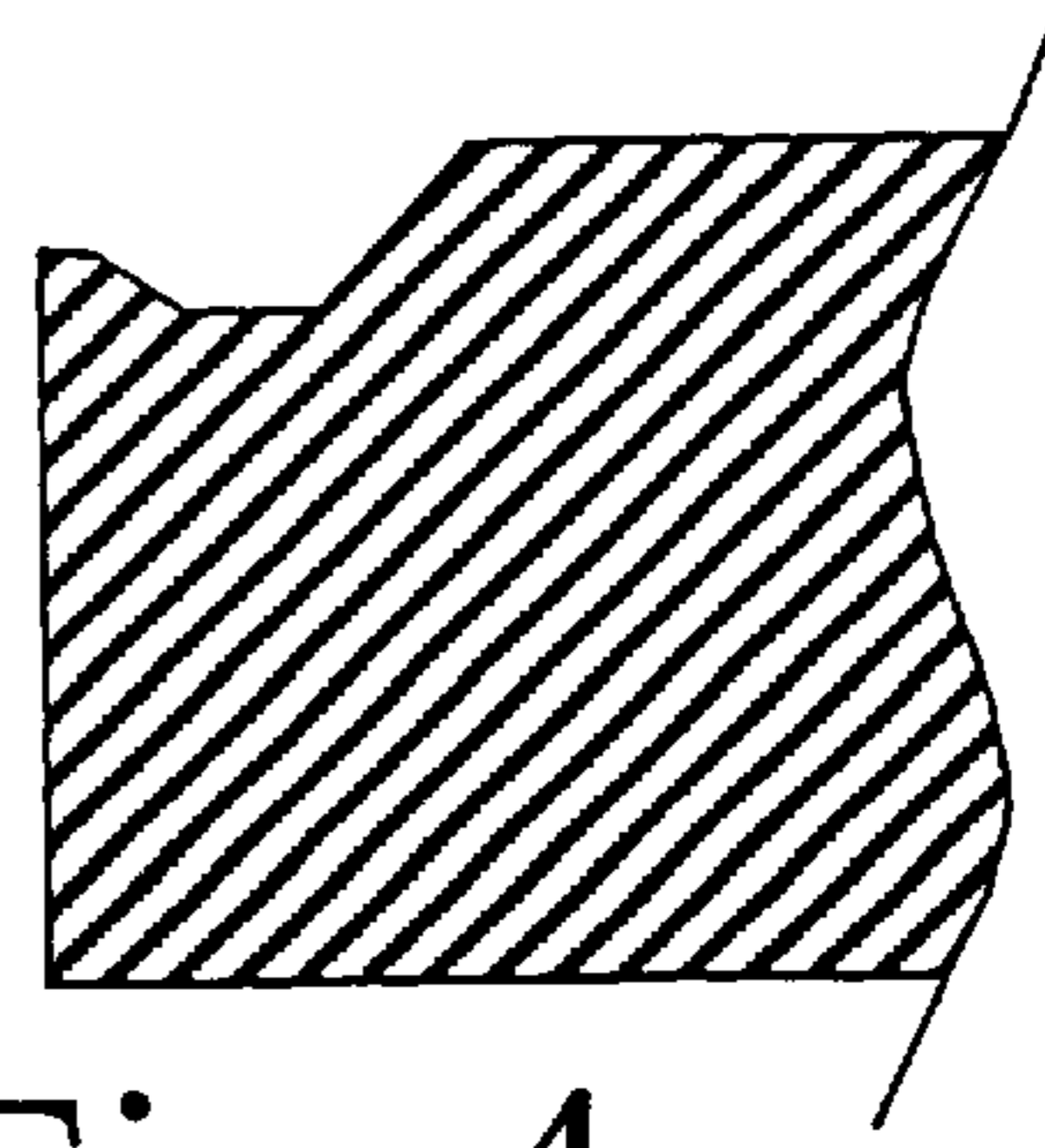


Fig. 4