



US00D474212S

(12) **United States Design Patent**
Domaille et al.

(10) **Patent No.:** **US D474,212 S**

(45) **Date of Patent:** **** May 6, 2003**

(54) **POLISHER**

(75) Inventors: **Michael D. Domaille**, Rochester, MN (US); **Nancy J. Domaille**, Rochester, MN (US); **Harold M. Ford**, Stewartville, MN (US); **Dennis G. Flanders**, Rochester, MN (US); **Ian Hewitt**, Gateshead (GB)

(73) Assignee: **Domaille Engineering LLC**, Rochester, MN (US)

(**) Term: **14 Years**

(21) Appl. No.: **29/157,443**

(22) Filed: **Mar. 19, 2002**

(51) **LOC (7) Cl.** **15-09**

(52) **U.S. Cl.** **D15/124**

(58) **Field of Search** D15/124; 451/5, 451/6, 41, 288, 28, 42, 36, 59

(56) **References Cited**

U.S. PATENT DOCUMENTS

5,136,820 A * 8/1992 Luther 451/41
5,480,344 A * 1/1996 Xu et al. 451/28

6,042,454 A * 3/2000 Watanabe et al. 451/6

* cited by examiner

Primary Examiner—Antoine Duval Davis

(74) *Attorney, Agent, or Firm*—Dorsey & Whitney LLP

(57) **CLAIM**

The ornamental design for a polisher, as shown and described.

DESCRIPTION

FIG. 1 is a perspective view of one embodiment of the subject polisher.

FIG. 2 is an elevated front view of the embodiment depicted in FIG. 1.

FIG. 3 is an elevated side view of one side of the embodiment depicted in FIG. 1, the other side being substantially similar.

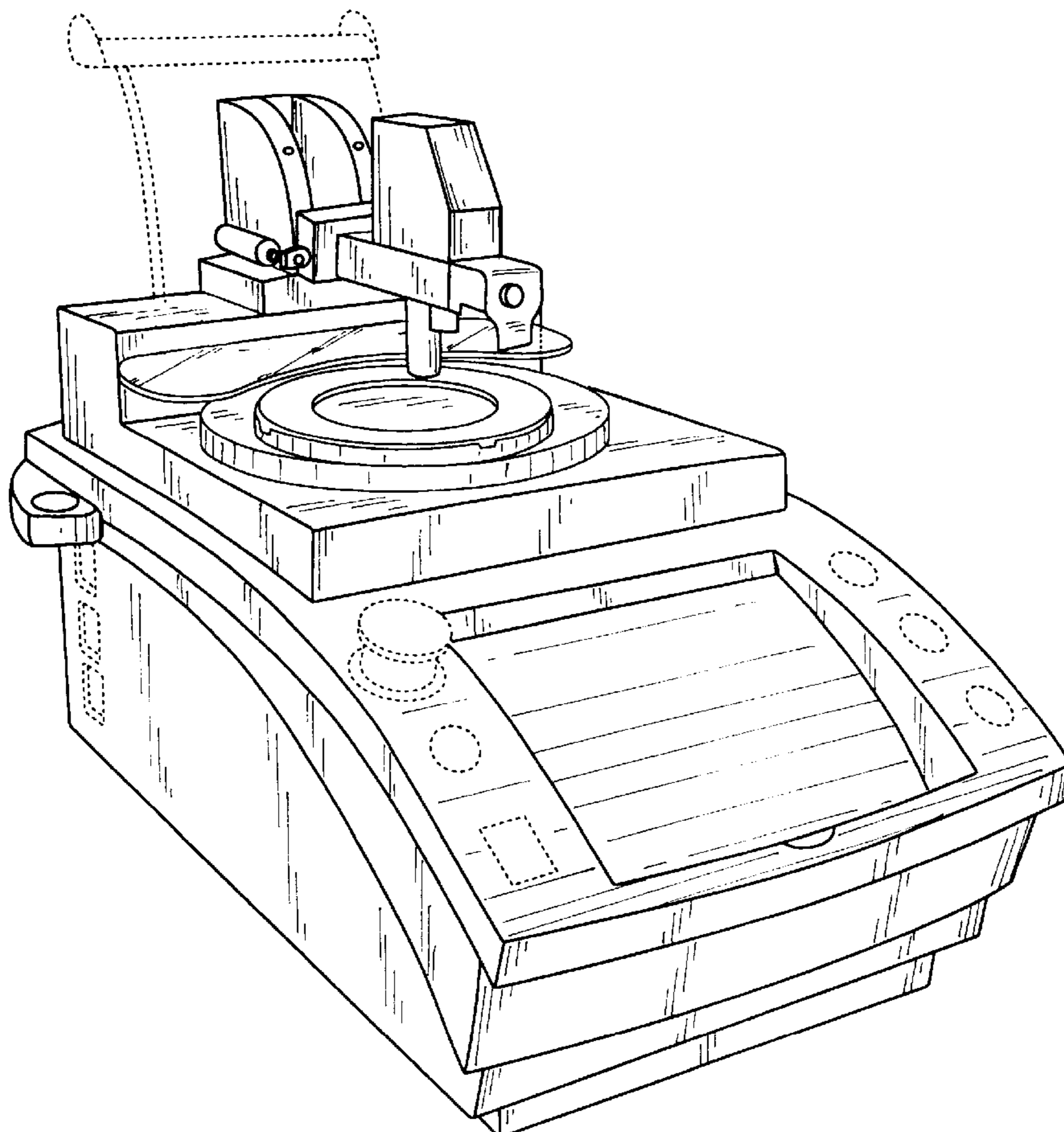
FIG. 4 is an overhead plan view of the embodiment depicted in FIG. 1.

FIG. 5 is an elevated rear view of the embodiment depicted in FIG. 1; and,

FIG. 6 is a bottom plan view of the embodiment depicted in FIG. 1.

The broken line showing is for illustrative purposes only and forms no part of the claimed design.

1 Claim, 4 Drawing Sheets



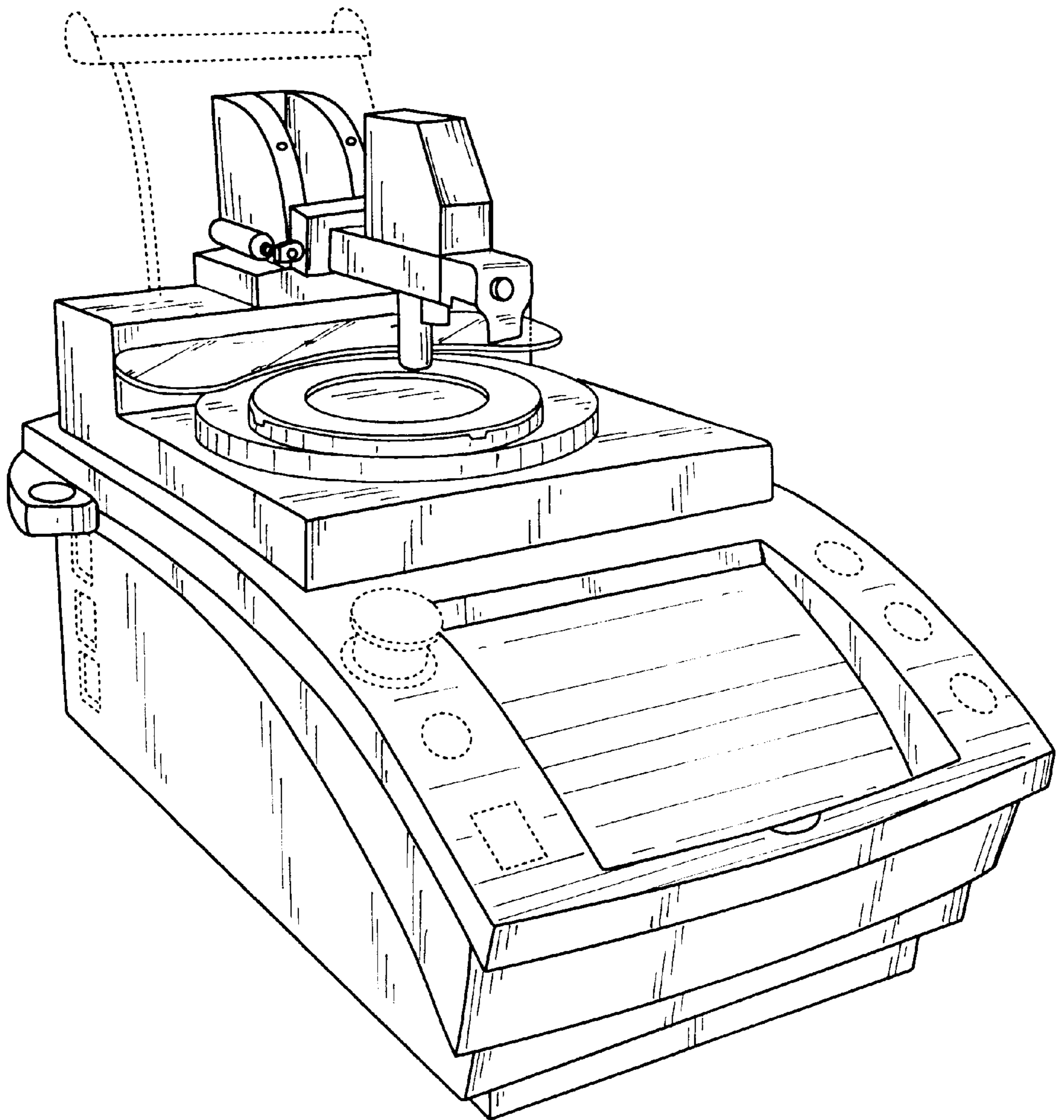


FIG. 1

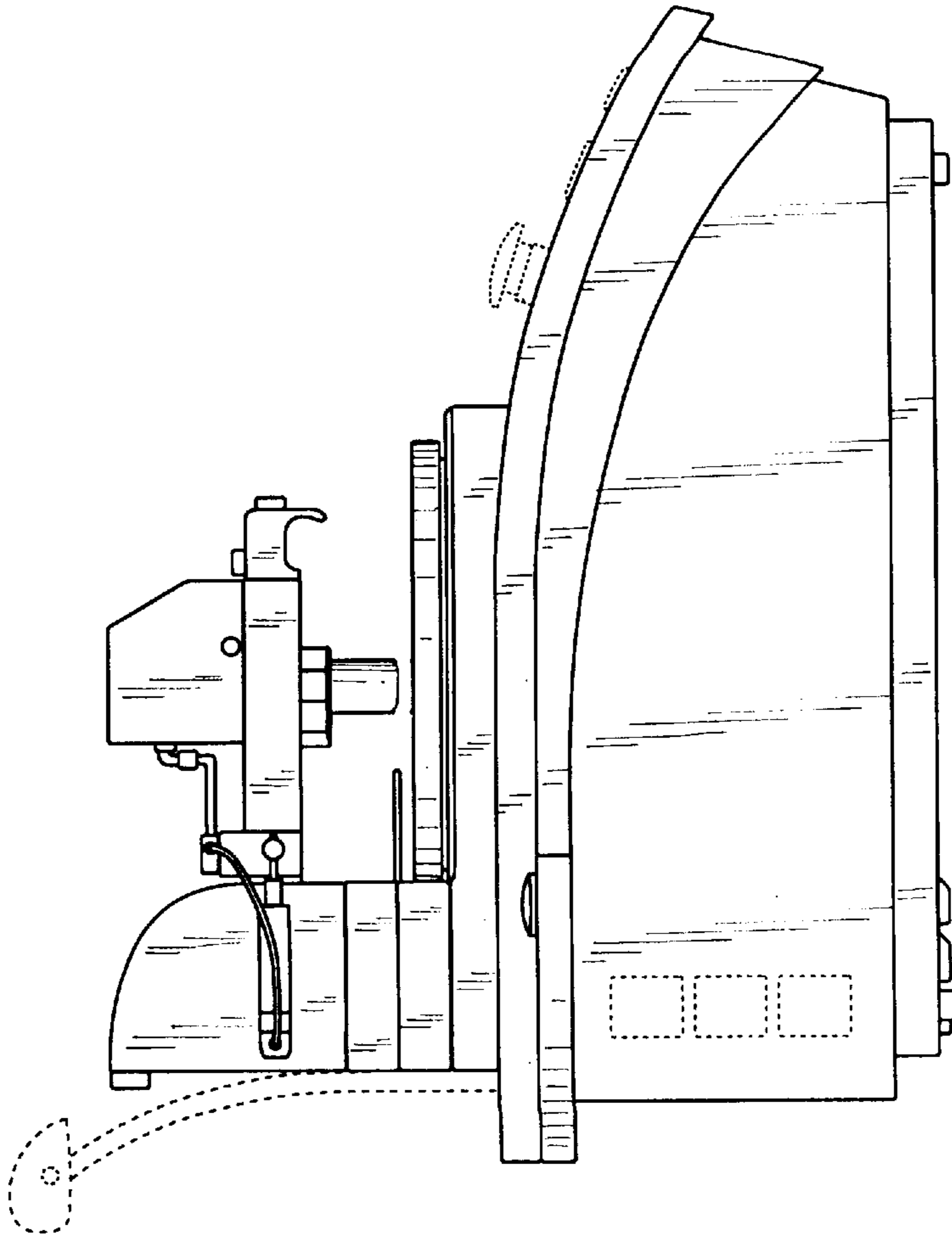


FIG. 3

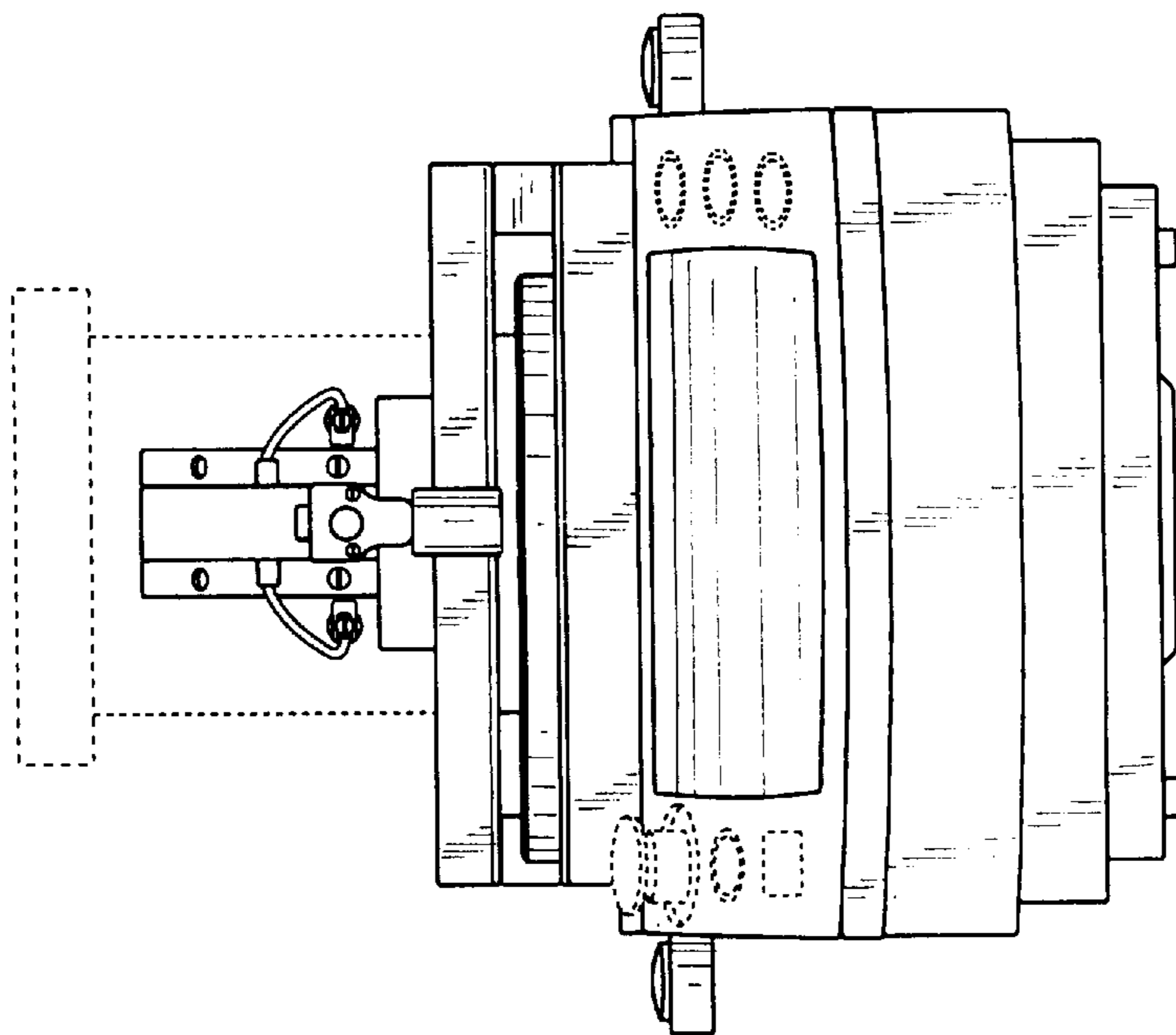


FIG. 2

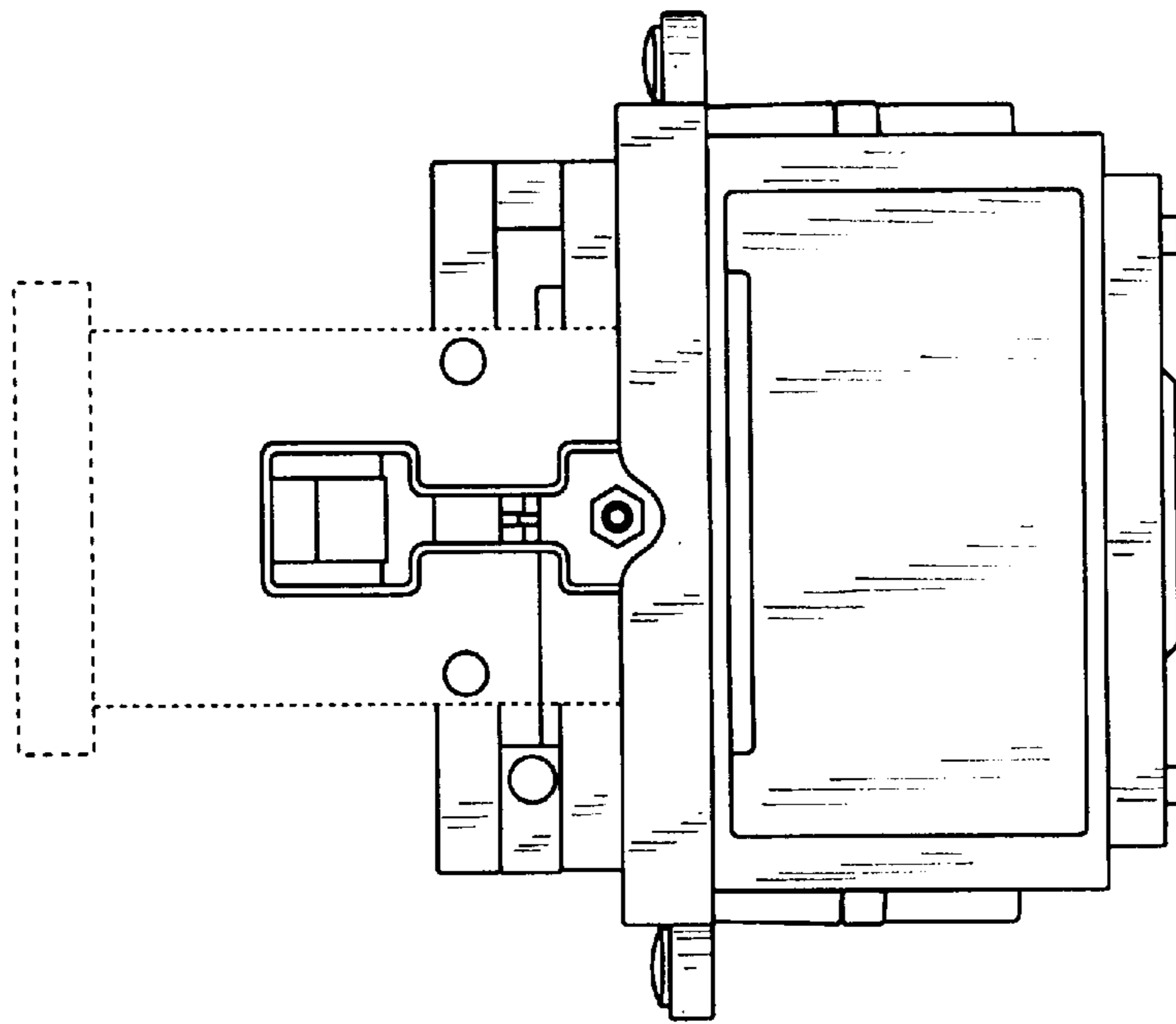


FIG. 5

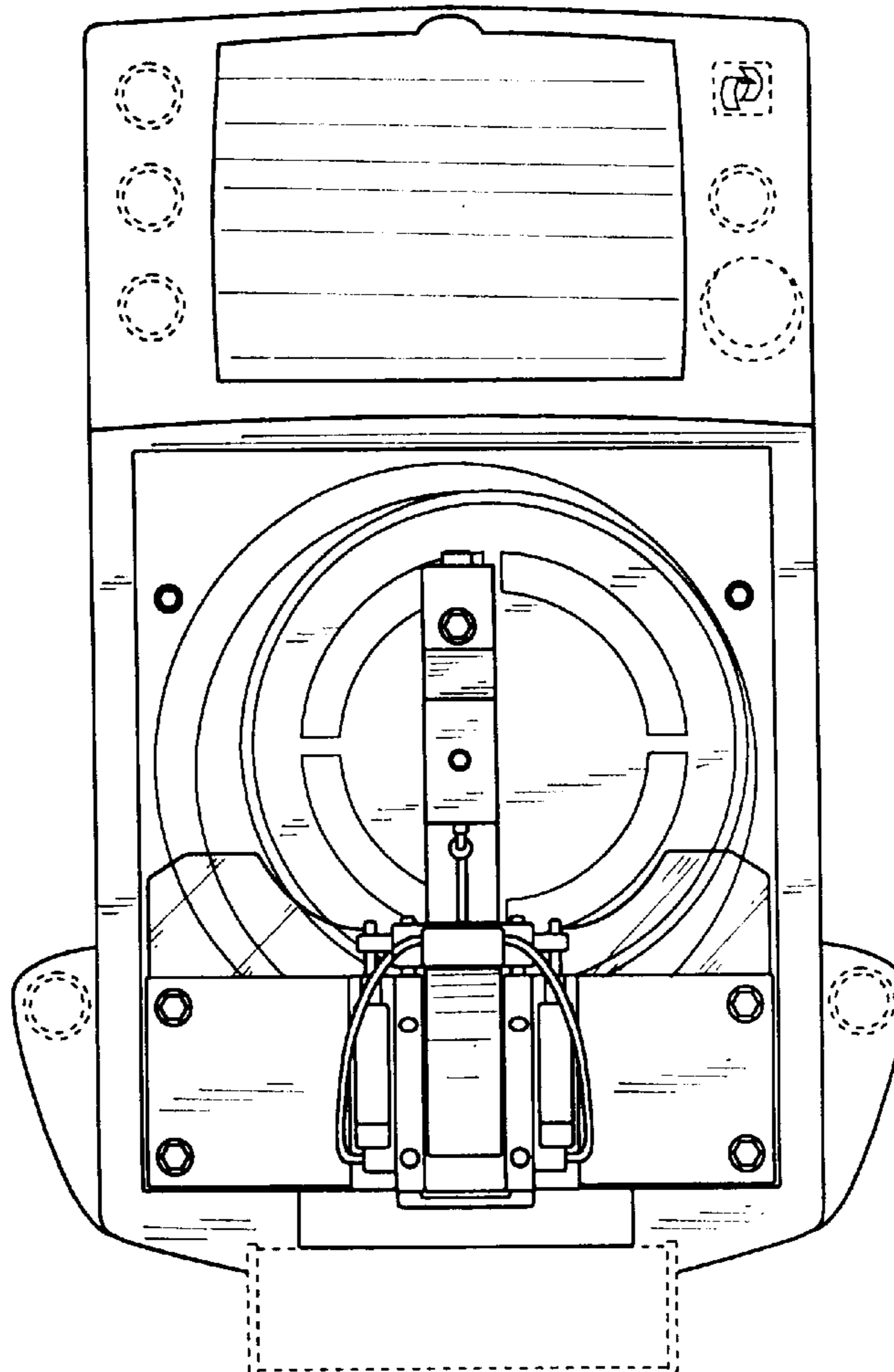


FIG. 4

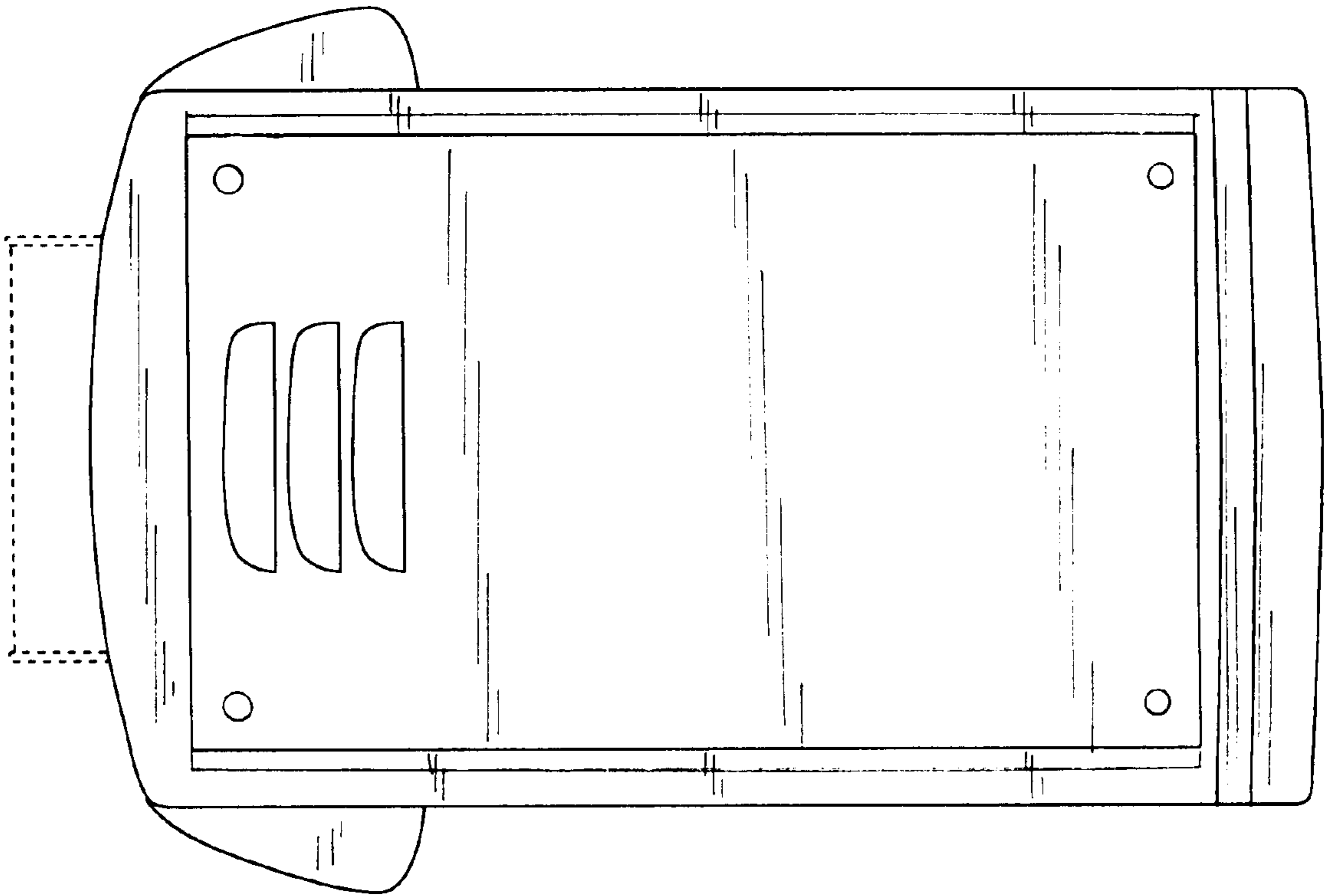


FIG. 6