



US00D474208S

(12) **United States Design Patent**
Kawaguchi

(10) **Patent No.:** **US D474,208 S**

(45) **Date of Patent:** **** May 6, 2003**

(54) **SEWING MACHINE**

(75) **Inventor:** **Kiyomi Kawaguchi, Tokyo (JP)**

(73) **Assignee:** **Janome Sewing Machine Co., Ltd., Tokyo (JP)**

(**) **Term:** **14 Years**

(21) **Appl. No.:** **29/155,627**

(22) **Filed:** **Feb. 15, 2002**

(30) **Foreign Application Priority Data**

Nov. 28, 2001 (JP) 2001-034872

(51) **LOC (7) Cl.** **15-06**

(52) **U.S. Cl.** **D15/69**

(58) **Field of Search** D15/66, 69, 70;
112/217.1-219.4, 256-261, 444

(56) **References Cited**

U.S. PATENT DOCUMENTS

D430,886 S * 9/2000 Yamamoto D15/69

D450,720 S * 11/2001 Kuroki D15/69
D459,369 S * 6/2002 Yamamoto et al. D15/69
D464,979 S * 10/2002 Yamamoto D15/69

* cited by examiner

Primary Examiner—Mitchell Siegel

(74) *Attorney, Agent, or Firm*—Lowe Hauptman Gilman & Berner, LLP

(57) **CLAIM**

A new original design for a sewing machine, as shown and described herein.

DESCRIPTION

FIG. 1 is a front elevational view of a sewing machine showing my design;
FIG. 2 is a rear elevational view thereof;
FIG. 3 is a left side elevational view thereof;
FIG. 4 is a right side elevational view thereof;
FIG. 5 is a top plan view thereof;
FIG. 6 is a bottom plan view thereof; and,
FIG. 7 is a perspective view thereof.

1 Claim, 4 Drawing Sheets

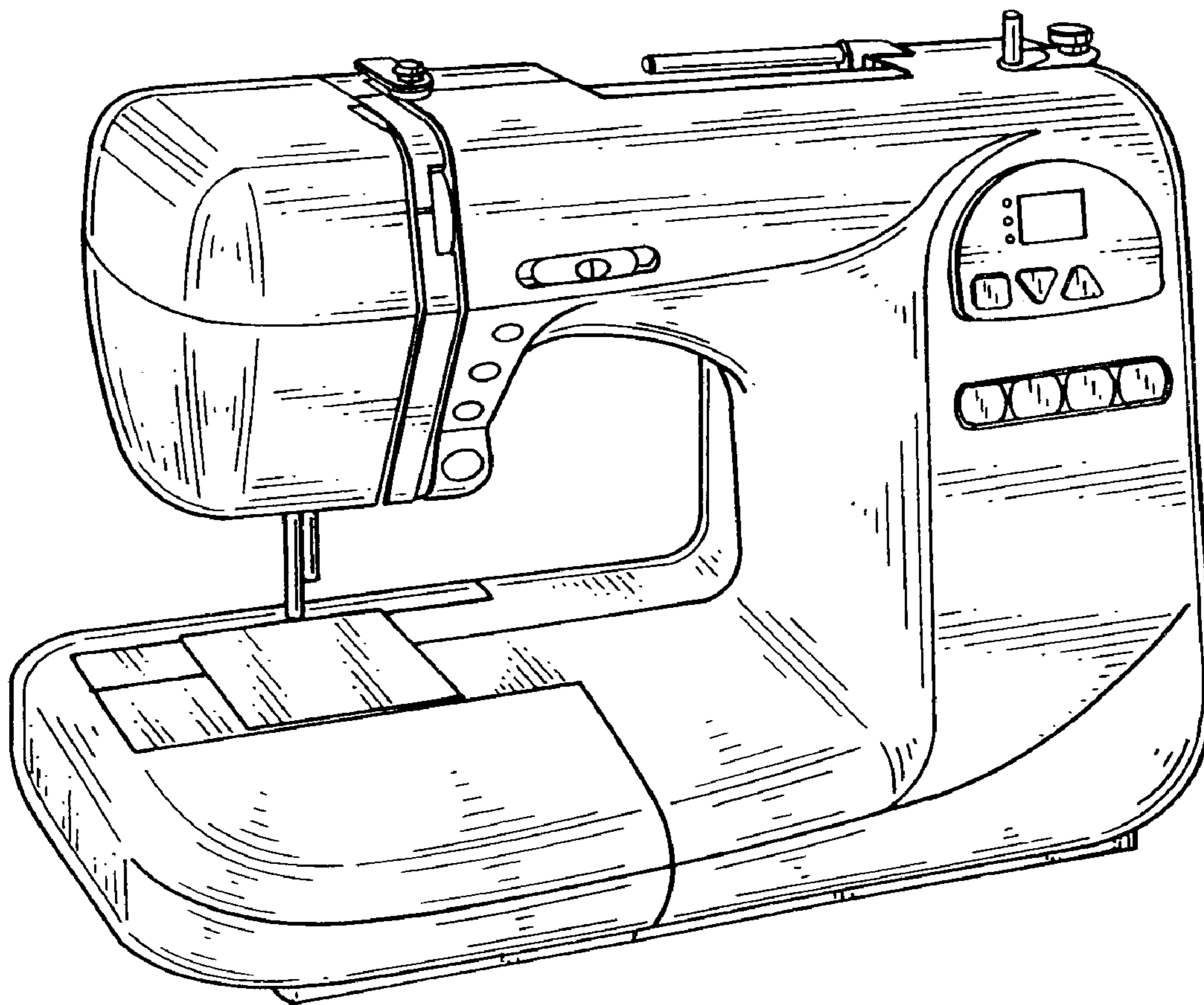


Fig. 1

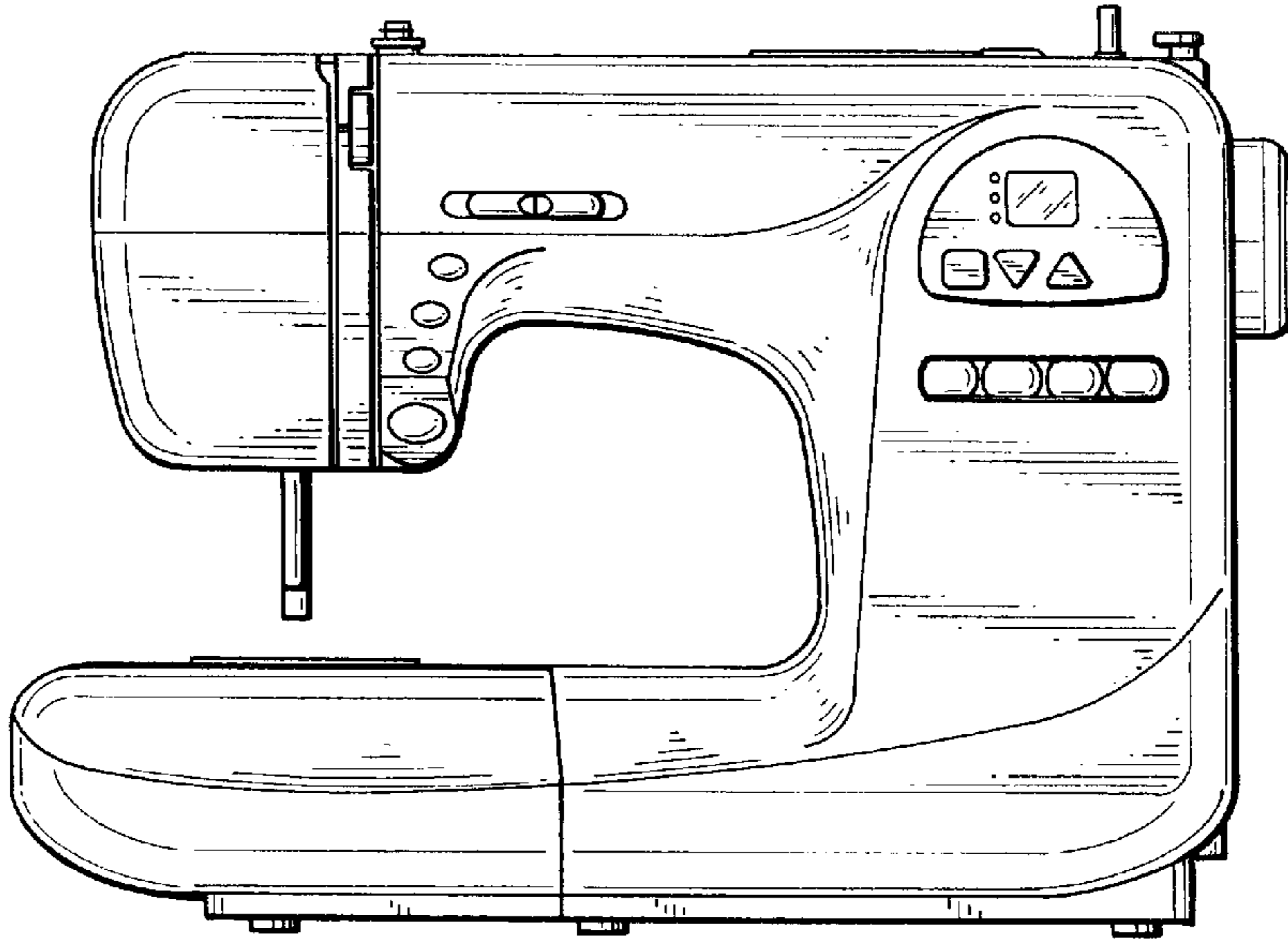


Fig. 2

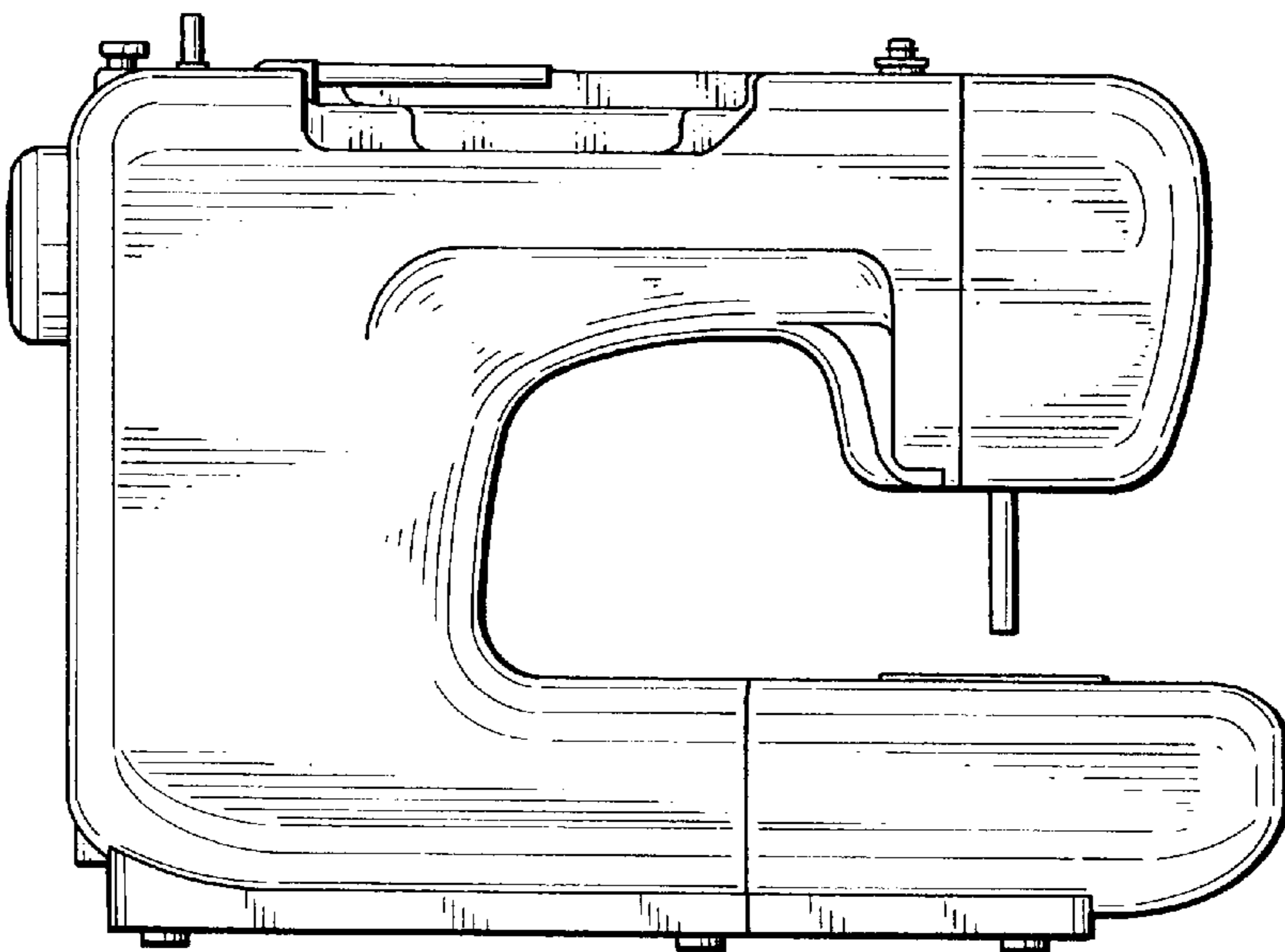


Fig. 3

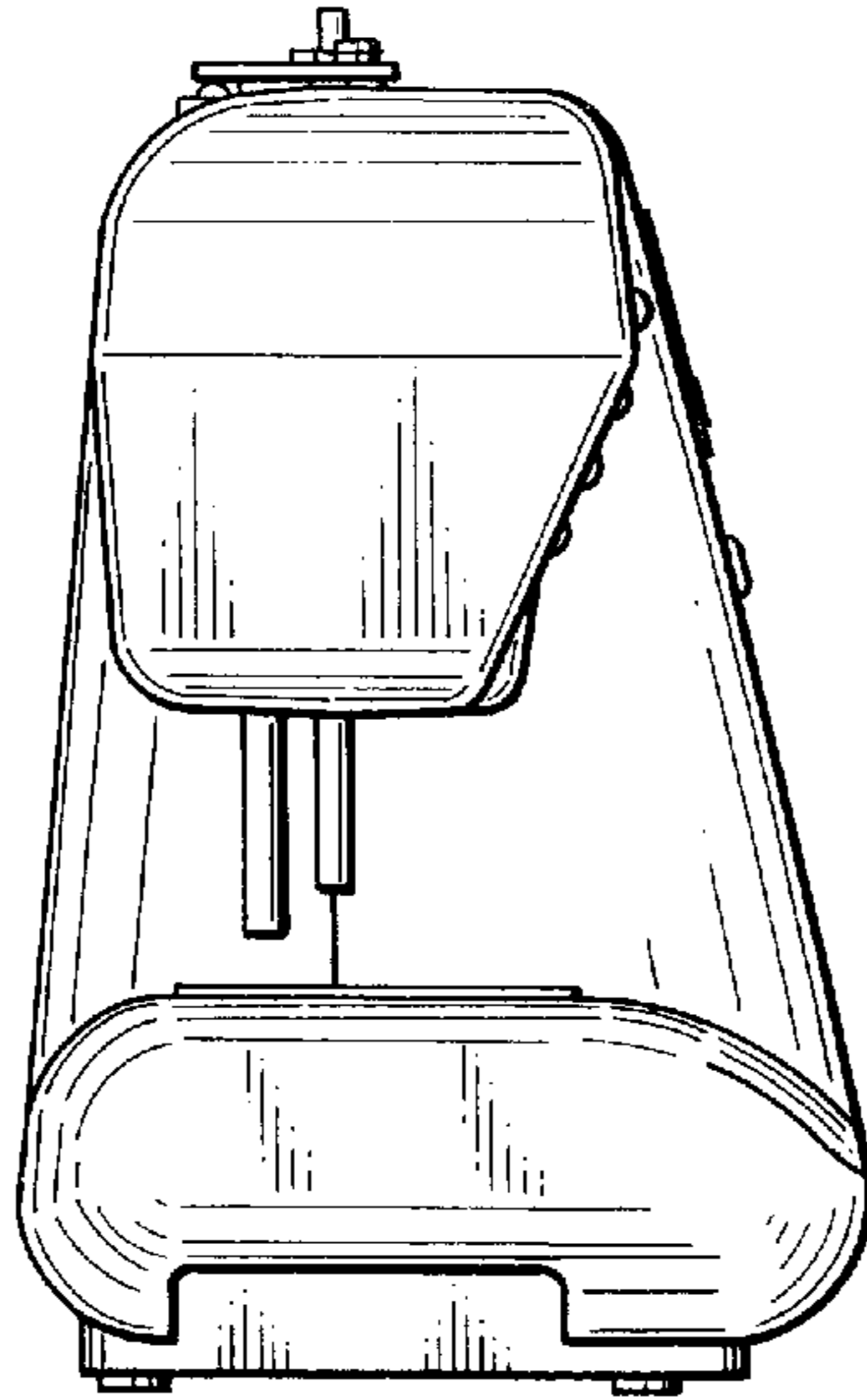


Fig. 4

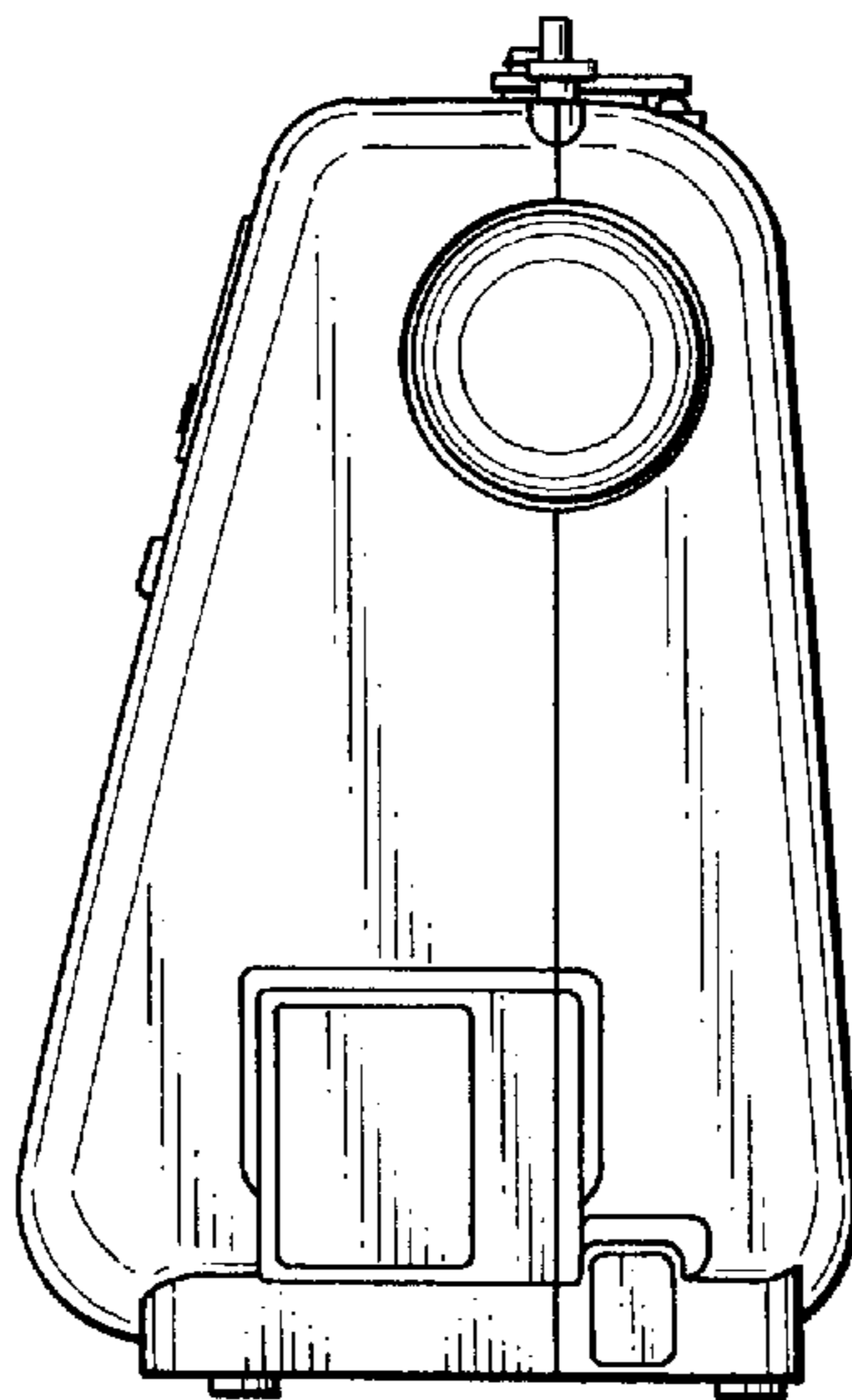


Fig. 5

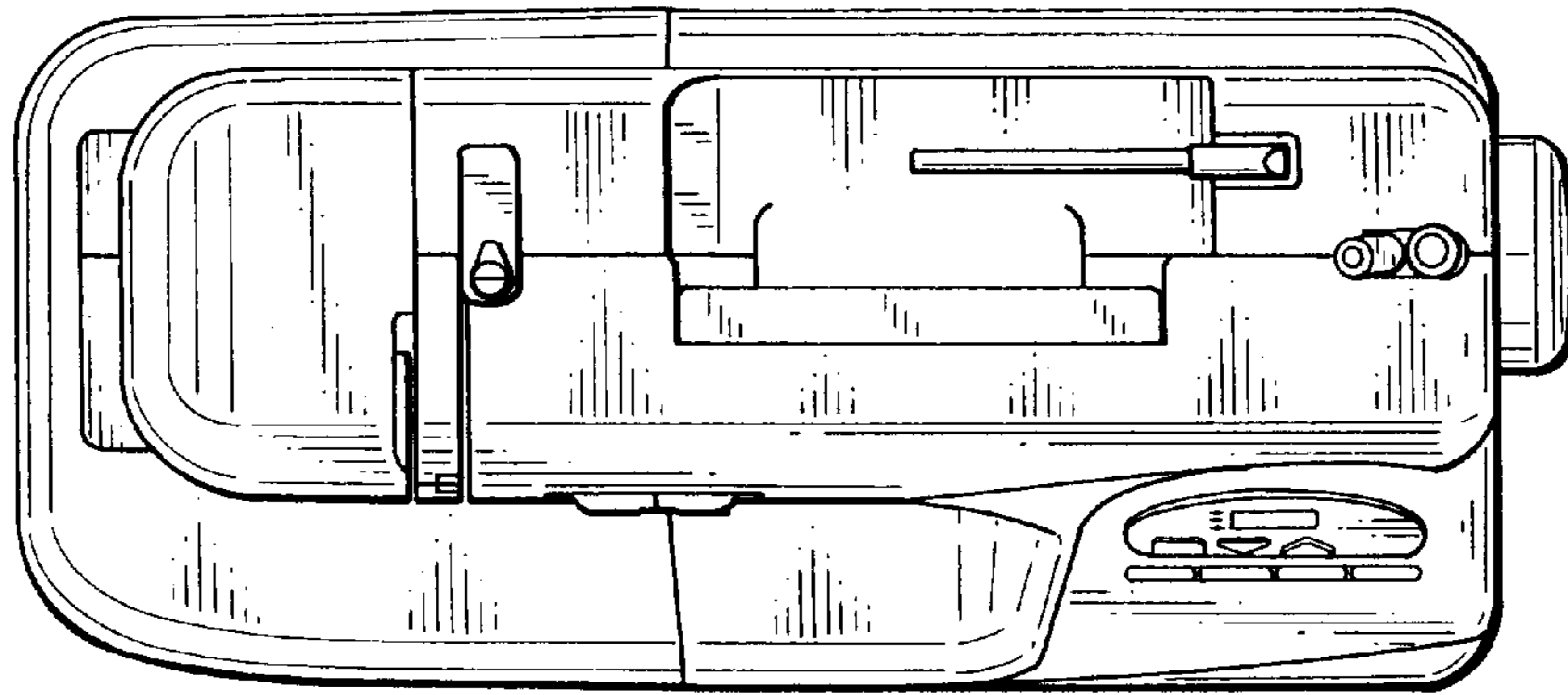


Fig. 6

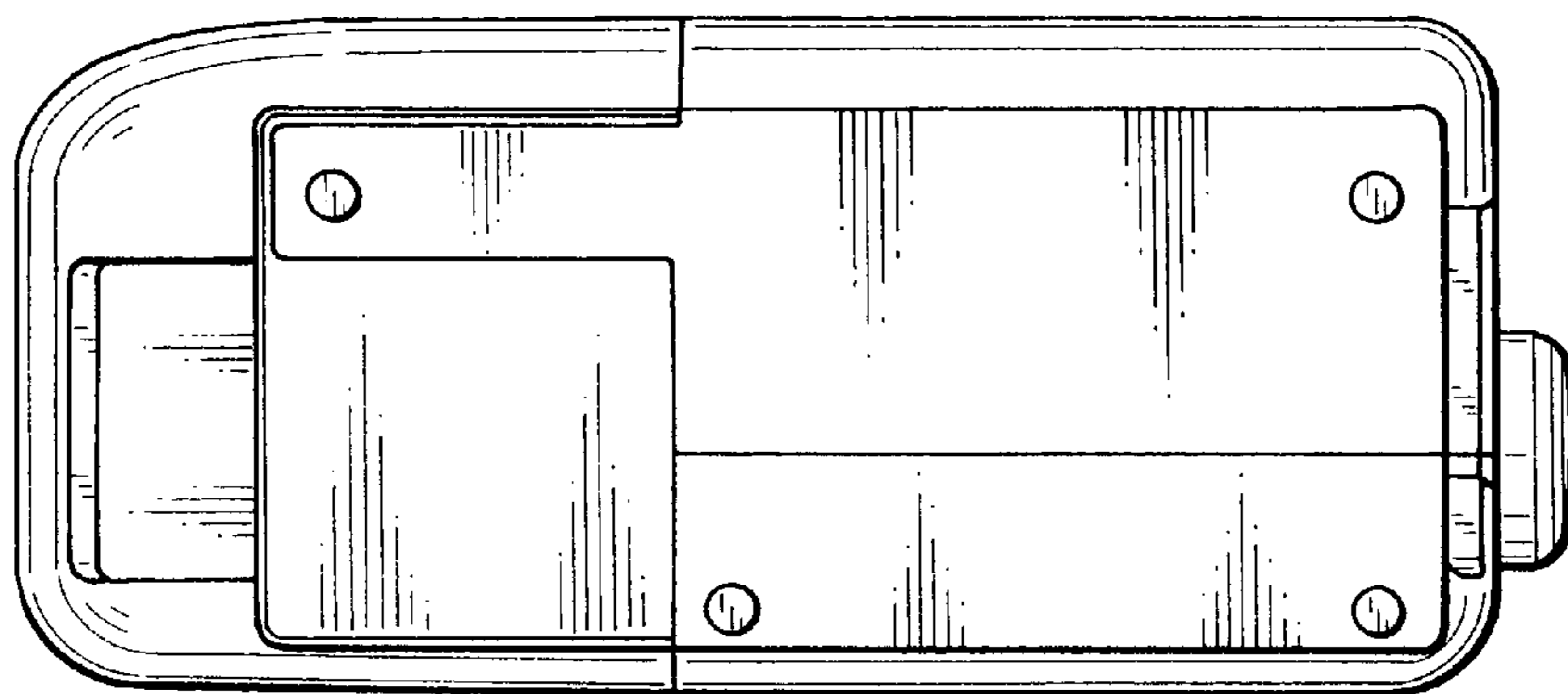


Fig. 7

