



US00D474206S

(12) **United States Design Patent**
Kuwaie

(10) **Patent No.:** **US D474,206 S**

(45) **Date of Patent:** **** May 6, 2003**

(54) **ENGINE HOOD OF TRACTOR**

D460,465 S * 7/2002 Williams D15/31

(75) Inventor: **Junta Kuwaie**, Osaka (JP)

* cited by examiner

(73) Assignee: **Kubota Corporation** (JP)

Primary Examiner—Mitchell Siegel

(**) Term: **14 Years**

(74) *Attorney, Agent, or Firm*—Webb Ziesenheim Logsdon Orkin & Hanson, P.C.

(21) Appl. No.: **29/156,107**

(57) **CLAIM**

(22) Filed: **Feb. 22, 2002**

The ornamental design for a engine hood of tractor, as shown and described.

(30) **Foreign Application Priority Data**

DESCRIPTION

Nov. 22, 2001 (JP) 2001-034305

(51) **LOC (7) Cl.** **15-03**

(52) **U.S. Cl.** **D15/31**

(58) **Field of Search** D15/15, 22-26,
D15/28, 31; 180/68.1, 69.21, 69.22, 69.24,
69.25, 89.1, 89.12, 89.19, 900; 56/13.3,
15.9, 16.1, 16.7, 17.4, 202, 255, 13.4, 15.6,
294, 320.1, 320.2; 382/485

FIG. 1 is a right side view of a engine hood of tractor, wherein the tractor as shown is only environmental structure and does not form part of the design of the invention;

FIG. 2 is a left side view thereof, wherein the tractor as shown is environmental structure and does not form part of the design of the invention;

FIG. 3 is a front side view thereof, wherein the tractor as shown is environmental structure and does not form part of the design of the invention;

FIG. 4 is a top plan view thereof, wherein the tractor as shown is environmental structure and does not form part of the design of the invention;

FIG. 5 is a left side perspective view thereof; and,

FIG. 6 is a right side perspective view thereof.

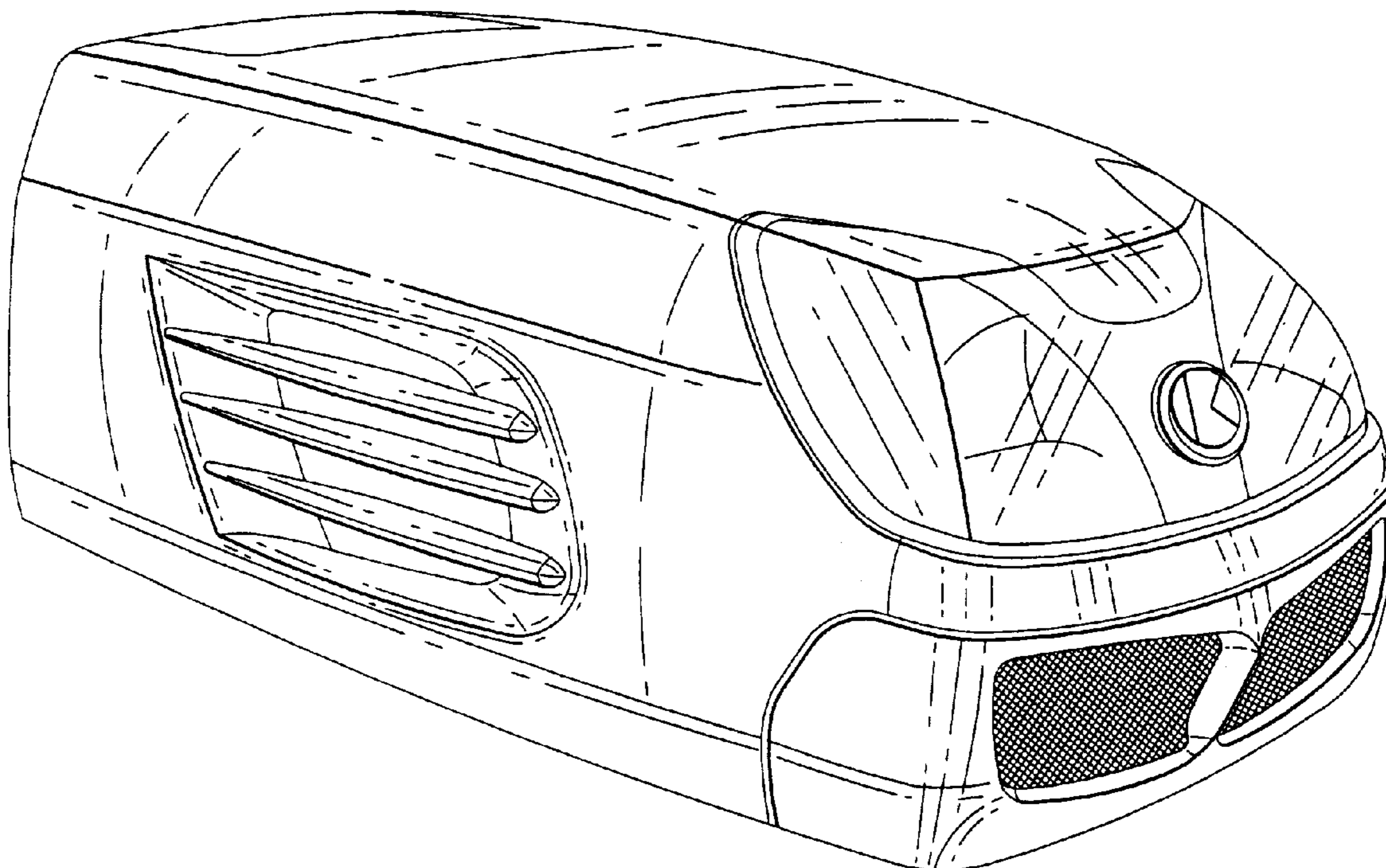
The broken line showing is for illustrative purposes only and forms no part of the claimed design.

(56) **References Cited**

U.S. PATENT DOCUMENTS

- D106,088 S * 9/1937 Morgan D15/31
- D296,557 S * 7/1988 Williams D15/31
- 4,758,932 A * 7/1988 Coons 362/546
- D297,538 S * 9/1988 Ogasawara et al. D15/15
- D310,374 S * 9/1990 Westimayer et al. D15/15
- D421,266 S * 2/2000 Hinklin D15/15
- D447,492 S * 9/2001 Goebert et al. D15/31

1 Claim, 3 Drawing Sheets



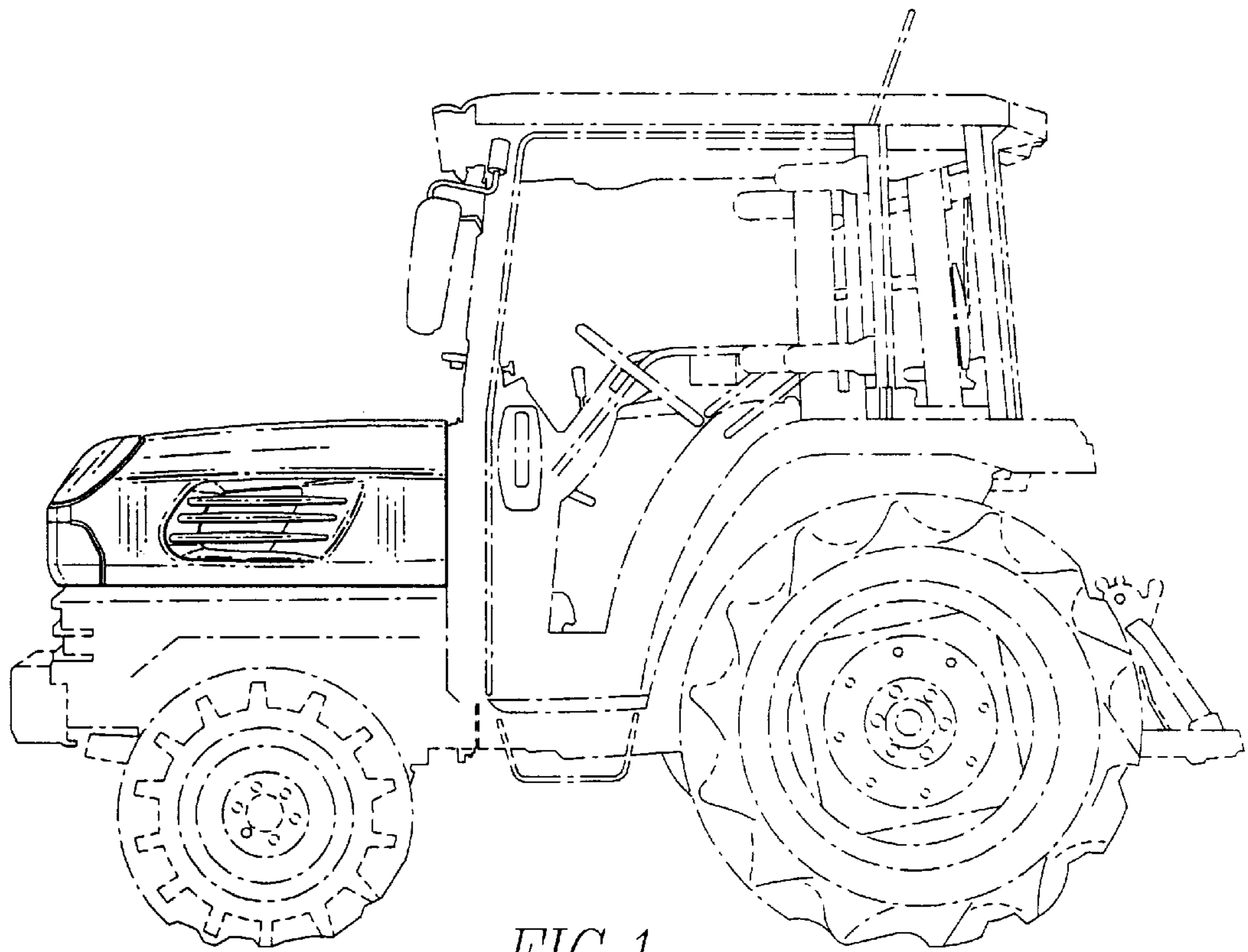


FIG. 1

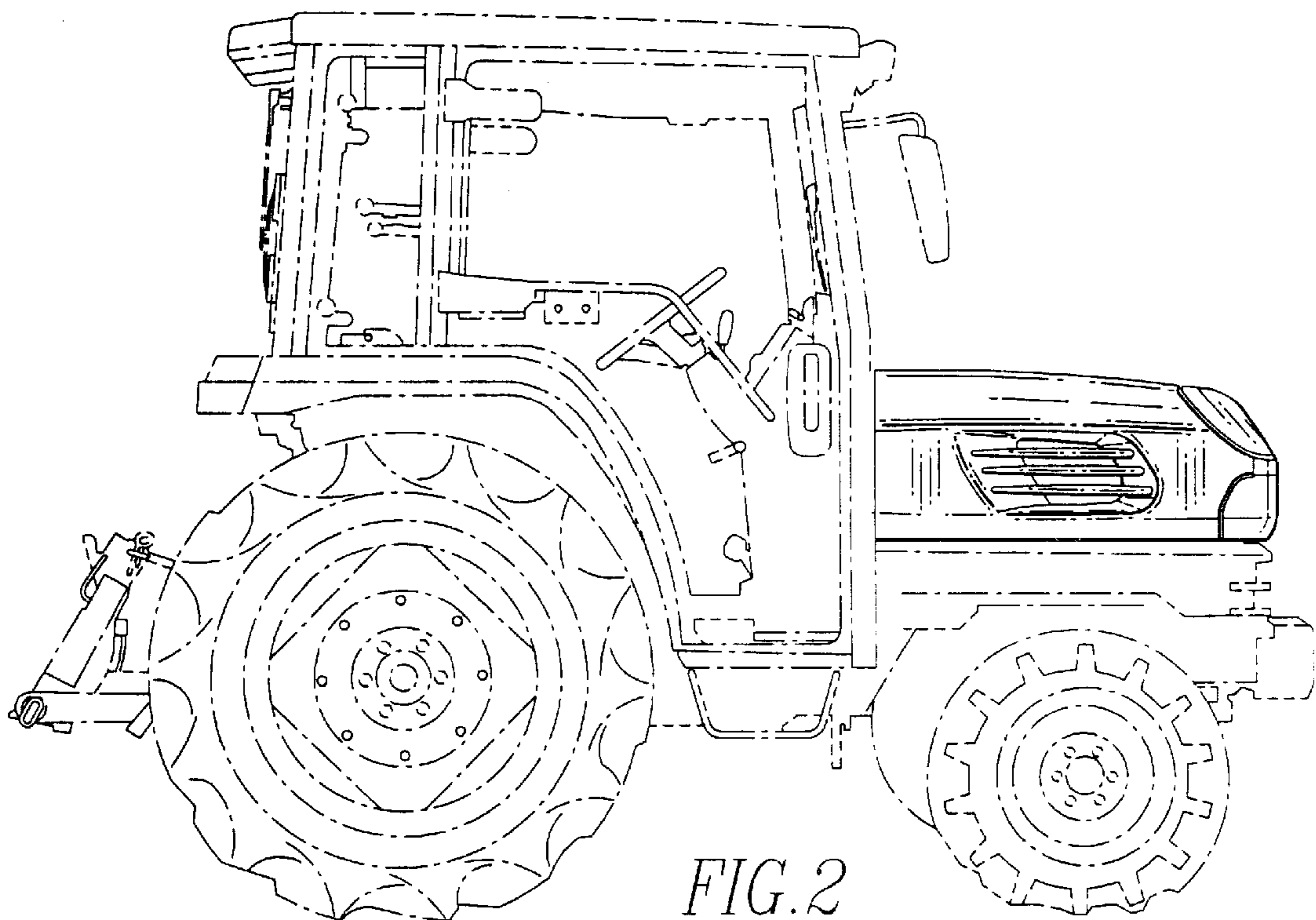


FIG. 2

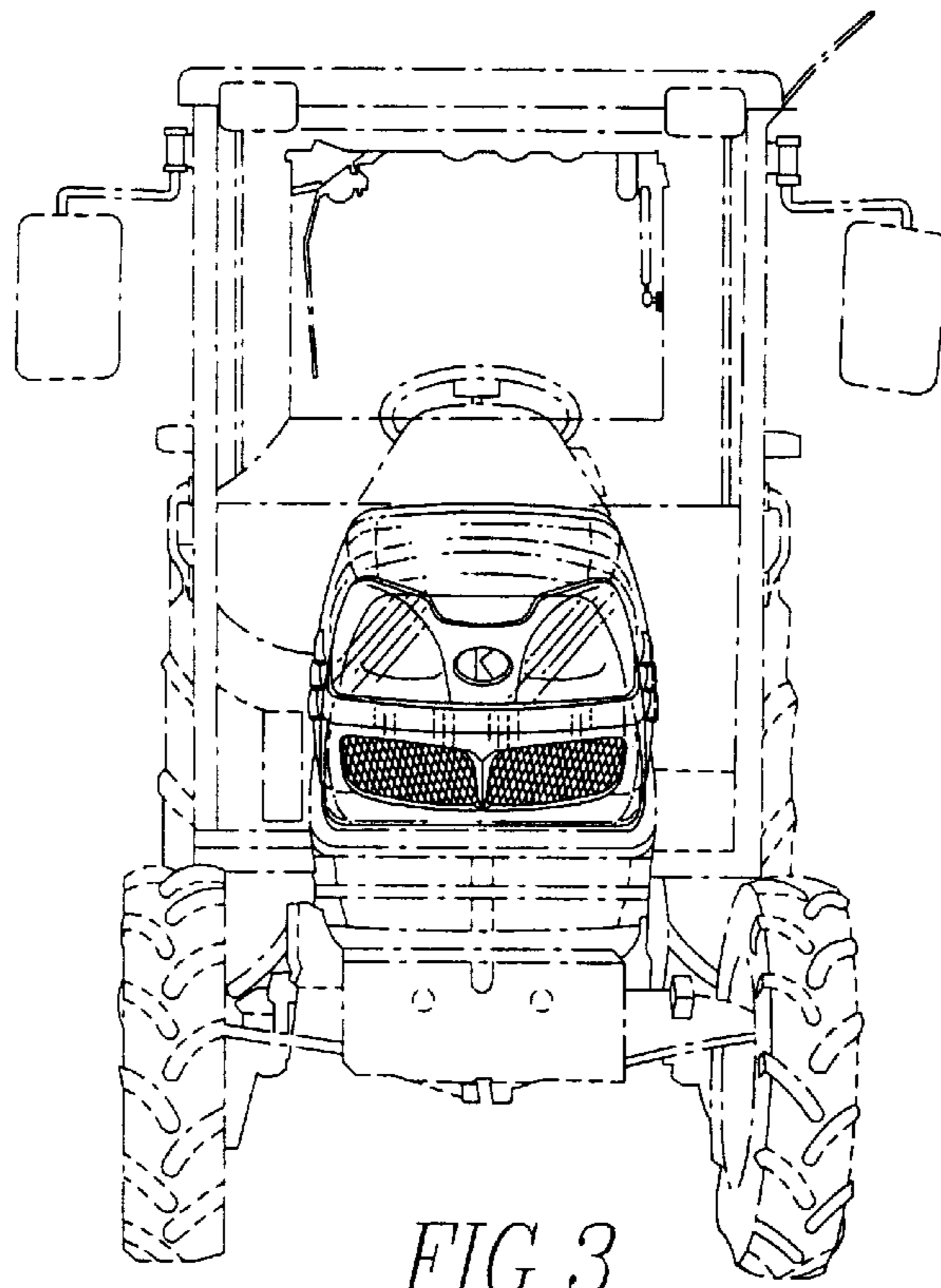


FIG. 3

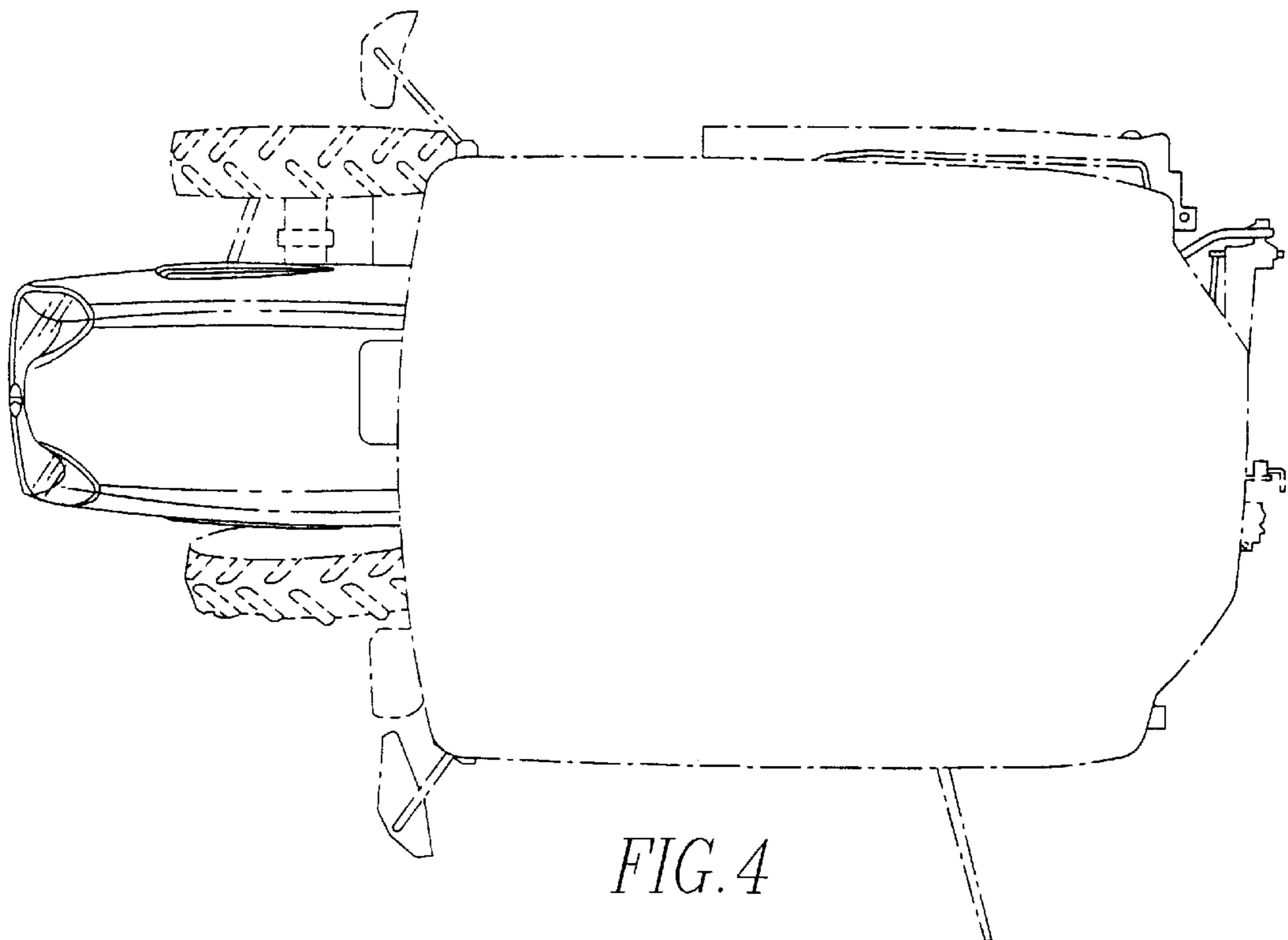


FIG. 4

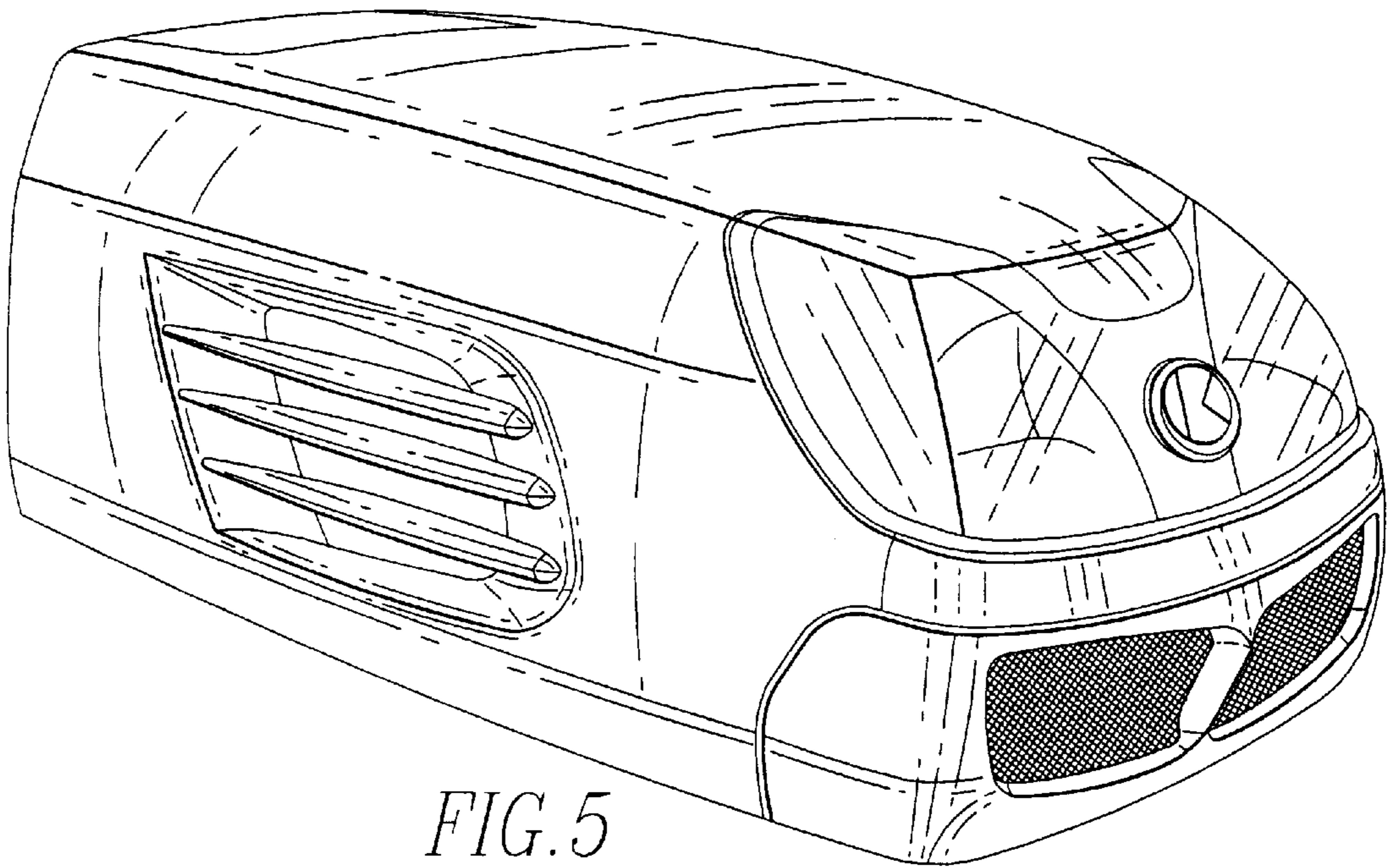


FIG. 5

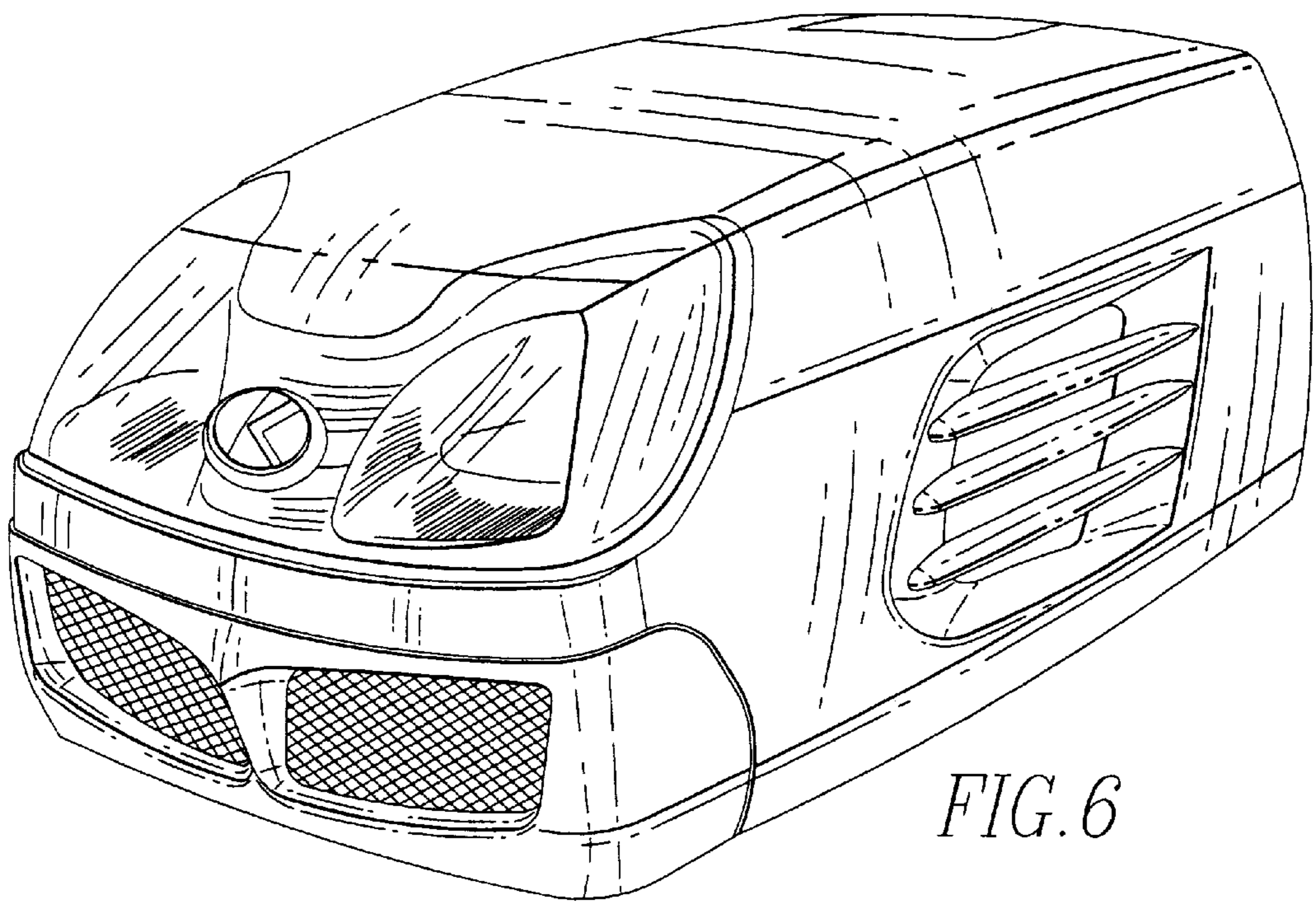


FIG. 6