



US00D474204S

(12) **United States Design Patent**
Abenroth

(10) **Patent No.:** **US D474,204 S**

(45) **Date of Patent:** **** May 6, 2003**

(54) **TILLER HOUSING**

(75) **Inventor:** **Jon M. T. Abenroth**, Bowling Green, KY (US)

(73) **Assignee:** **DESA International, Inc.**, Bowling Green, KY (US)

(**) **Term:** **14 Years**

(21) **Appl. No.:** **29/156,987**

(22) **Filed:** **Mar. 11, 2002**

(51) **LOC (7) Cl.** **15-03**

(52) **U.S. Cl.** **D15/11**

(58) **Field of Search** D15/11, 12; 172/42, 172/43, 260, 250, 256

(56) **References Cited**

U.S. PATENT DOCUMENTS

4,567,949 A 2/1986 Herscher
4,640,366 A * 2/1987 Saito 172/42

5,251,428 A 10/1993 Gay
5,896,931 A 4/1999 Roberts et al.
5,908,075 A * 6/1999 Iannello 172/42
D416,026 S * 11/1999 Ohsumi et al. D15/12
6,092,608 A 7/2000 Leger

* cited by examiner

Primary Examiner—Mitchell Siegel
(74) *Attorney, Agent, or Firm*—Jones Day

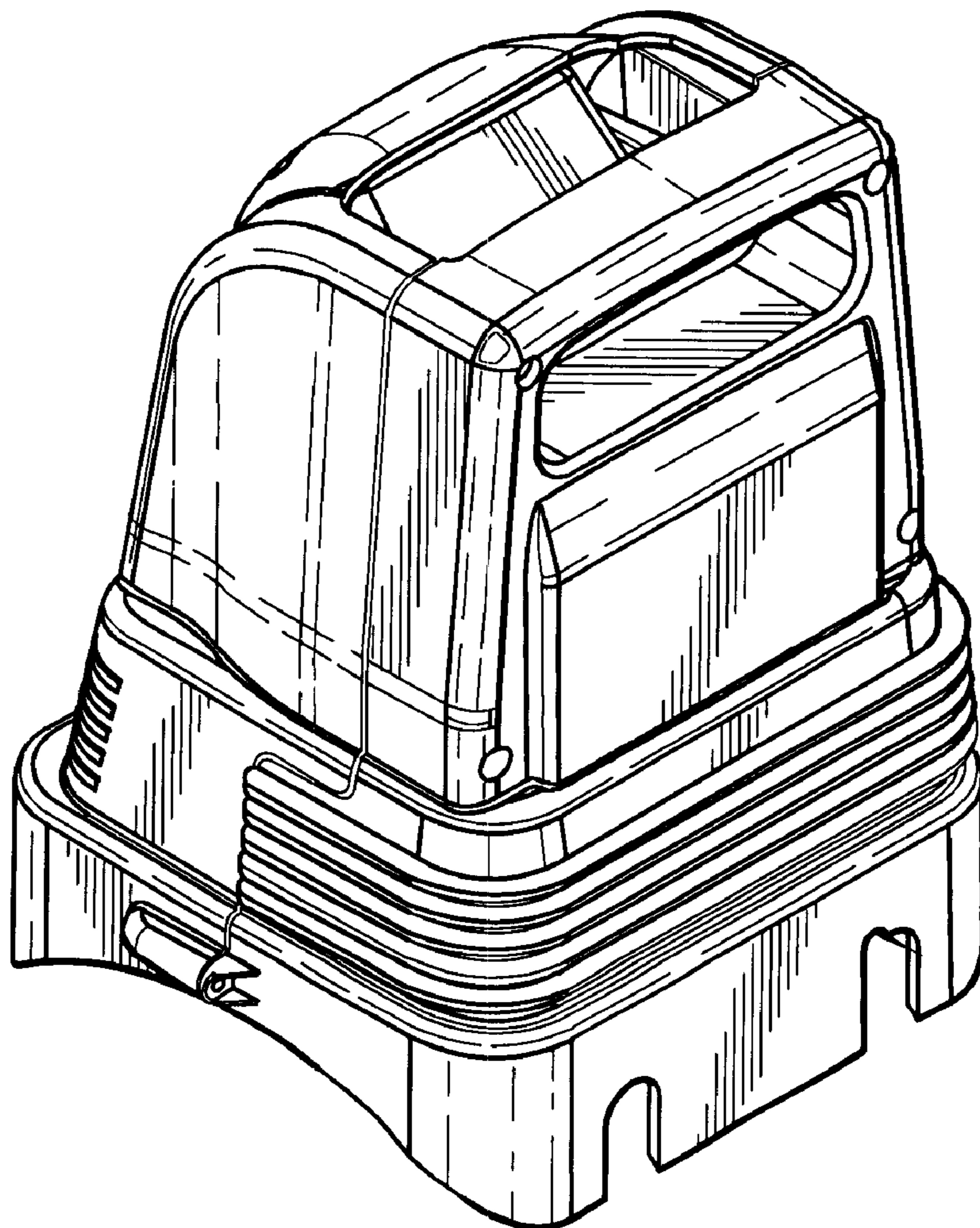
(57) **CLAIM**

The ornamental design for a tiller housing, as shown.

DESCRIPTION

FIG. 1 is a rear isometric view of the tiller housing showing the new design;
FIG. 2 is a front isometric view thereof;
FIG. 3 is a rear elevation view thereof;
FIG. 4 is a front elevational view thereof;
FIG. 5 is a side elevation view thereof; and,
FIG. 6 is a top view thereof.

1 Claim, 3 Drawing Sheets



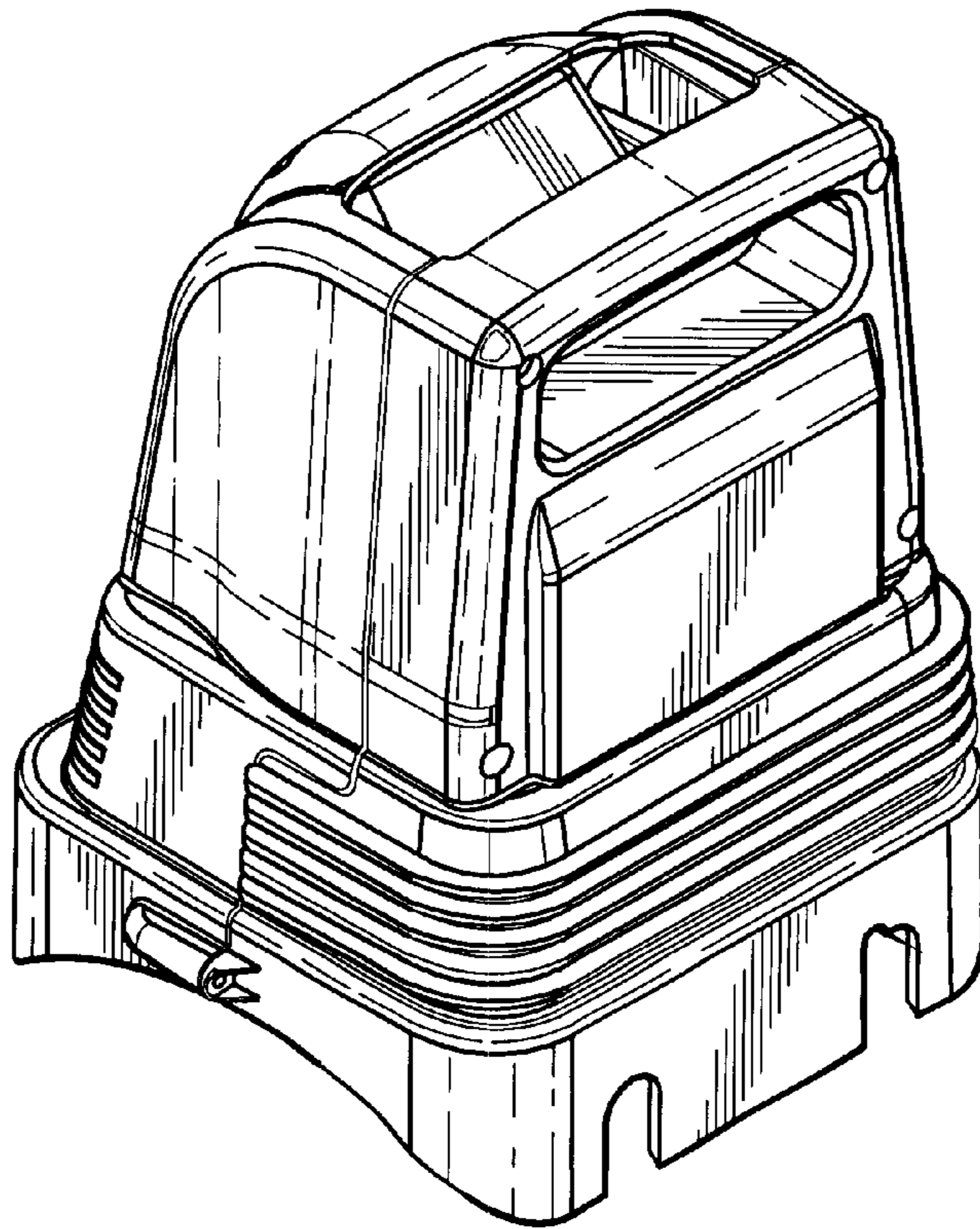


FIG. 1

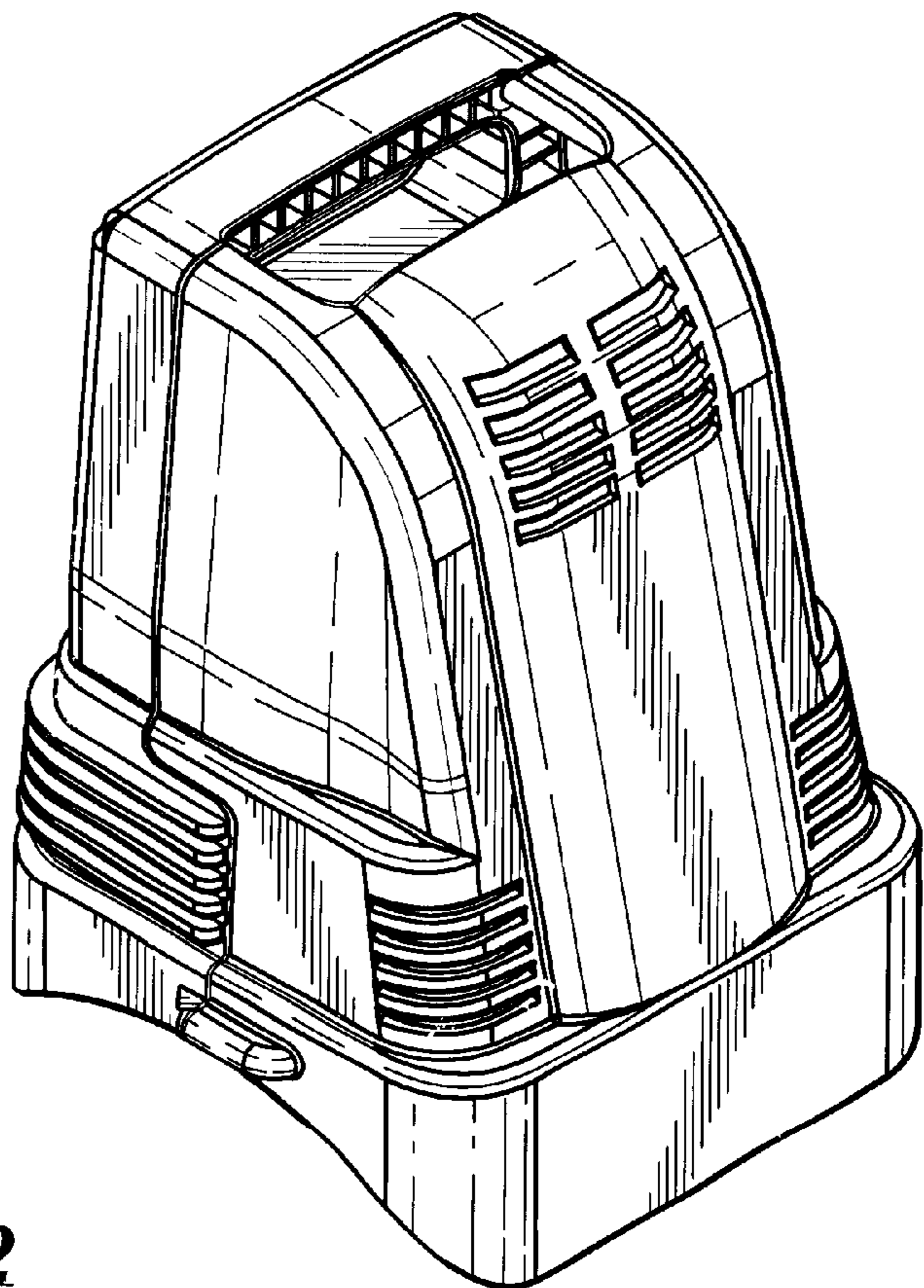


FIG. 2

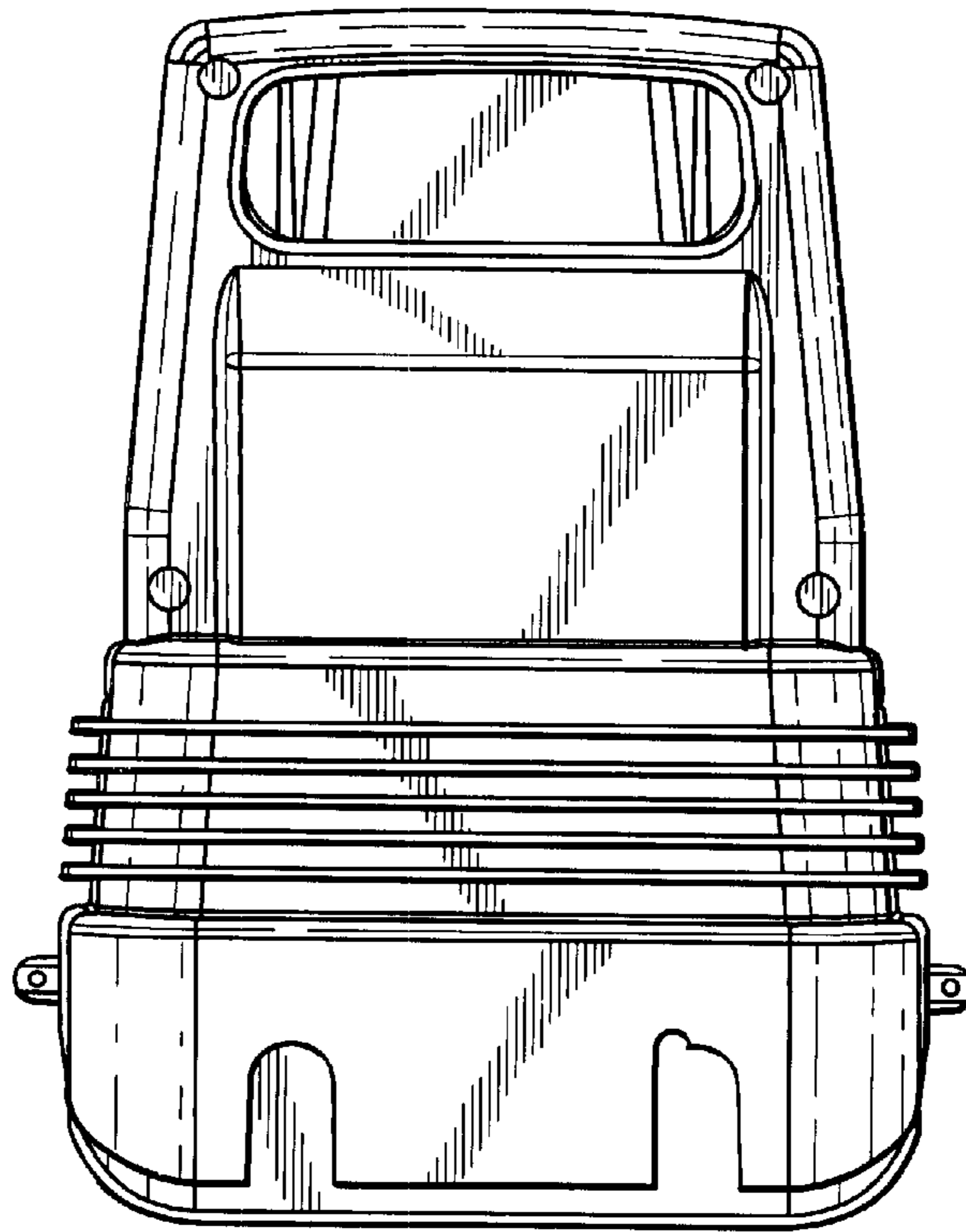


FIG. 3

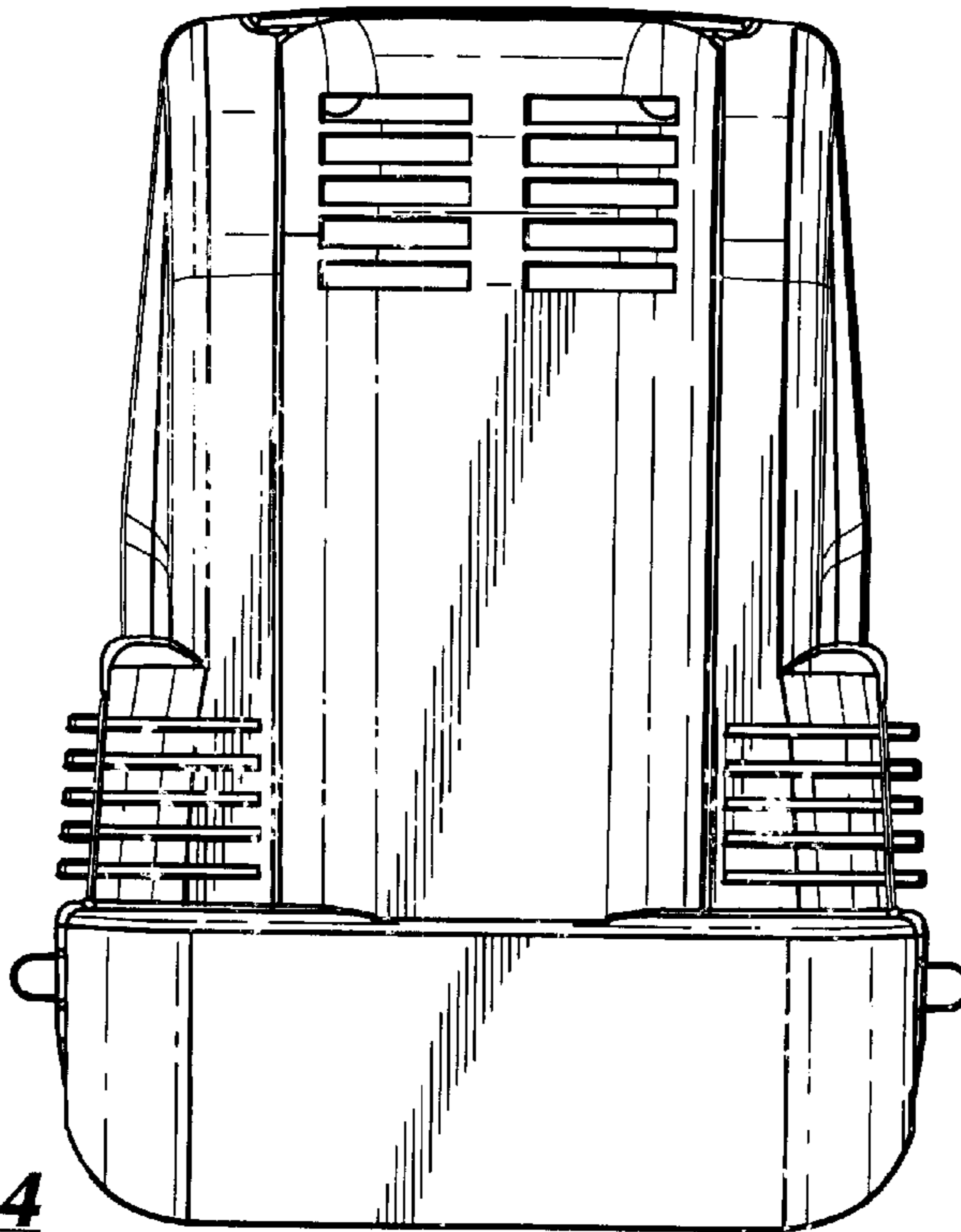


FIG. 4

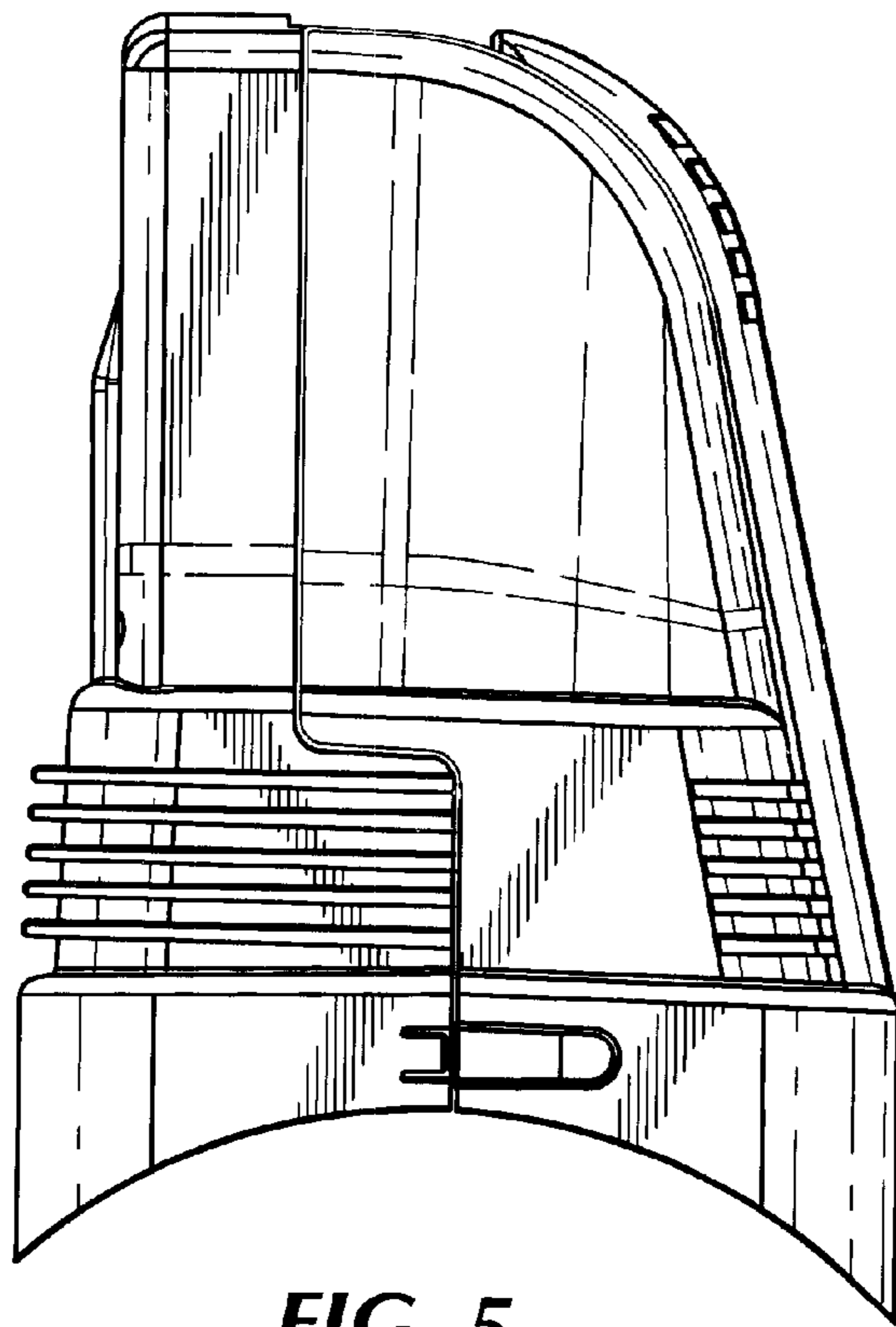


FIG. 5

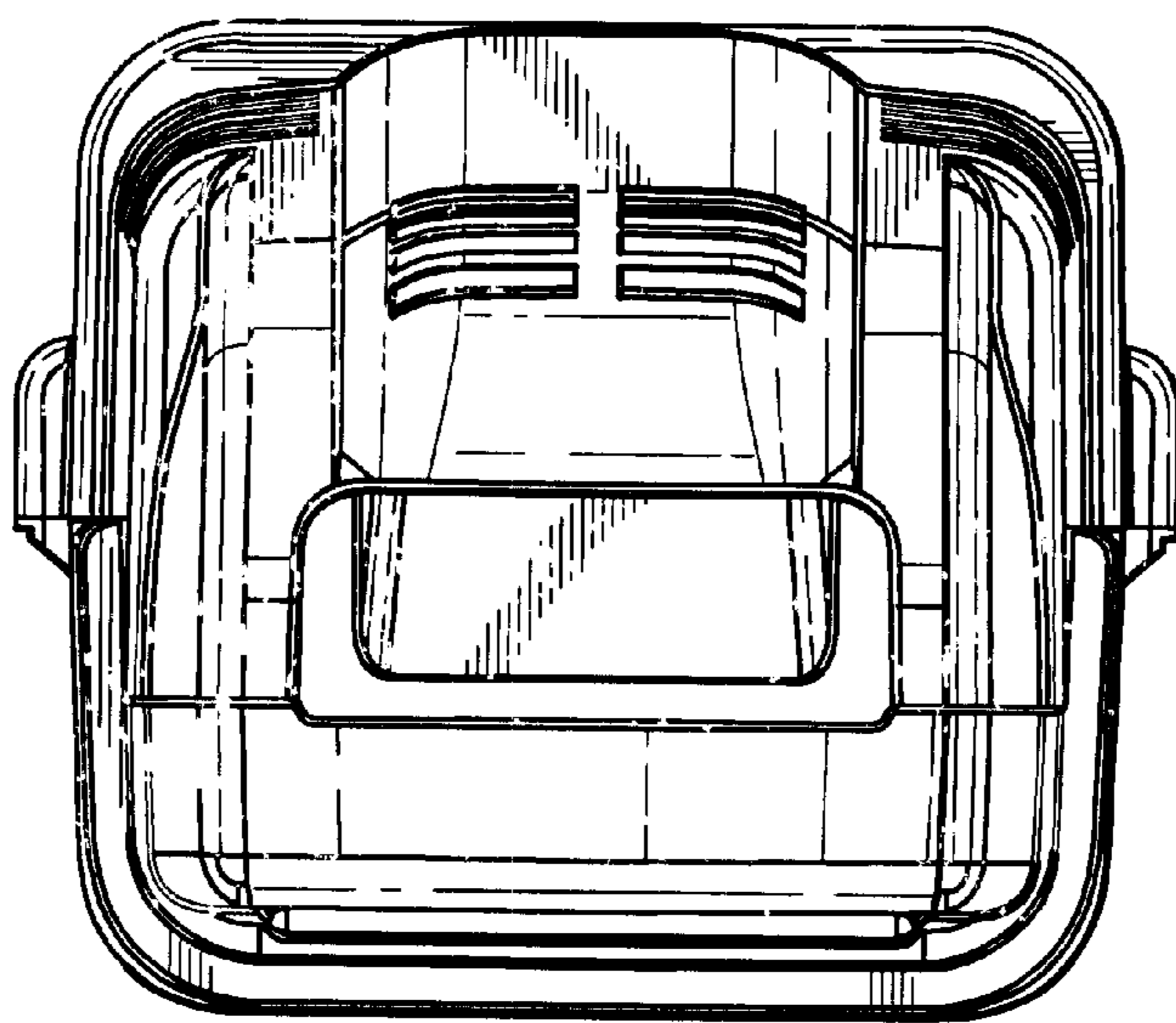


FIG. 6