



US00D474193S

(12) **United States Design Patent**
Nakayama

(10) **Patent No.:** **US D474,193 S**

(45) **Date of Patent:** **** May 6, 2003**

(54) **TAPE CARTRIDGE**

(75) Inventor: **Miya Nakayama**, Tokyo (JP)

(73) Assignee: **Sony Corporation**, Tokyo (JP)

(**) Term: **14 Years**

(21) Appl. No.: **29/163,688**

(22) Filed: **Jul. 11, 2002**

(51) **LOC (7) Cl.** **14-99**

(52) **U.S. Cl.** **D14/483**

(58) **Field of Search** D14/474-482,
D14/435; D21/332, 324; 242/348-348.4;
360/132-135, 900; 206/307, 308.1, 308.2,
308.5; 369/275.1-275.5, 280-292; 463/43-46

(56) **References Cited**

U.S. PATENT DOCUMENTS

D197,892 S	*	4/1964	Lee	D14/475
D230,991 S	*	3/1974	Catto et al.	D14/475
4,608,617 A	*	8/1986	Oishi et al.	360/133
5,029,771 A	*	7/1991	Ranoia	242/348
5,209,424 A	*	5/1993	Fischer et al.	242/348.2
5,681,002 A	*	10/1997	Kikuchi	242/348

5,868,338 A	*	2/1999	Martin et al.	242/348
D407,084 S		3/1999	Waler et al.		
D465,786 S	*	11/2002	Hoge et al.	D14/475

OTHER PUBLICATIONS

Web page "data media", <http://www.sony.co.jp/Products/DataMedia/products/DLT/index.html>, 2 sheets, Sony Corp., (Apr. 2002).

* cited by examiner

Primary Examiner—Prabhakar Deshmukh

(74) *Attorney, Agent, or Firm*—Rader, Fishman & Grauer PLLC

(57) **CLAIM**

The ornamental design for a tape cartridge, as shown and described.

DESCRIPTION

FIG. 1 is a perspective view of a tape cartridge showing my new design; and, FIG. 2 is a reduced scale front elevational view thereof. The broken lines are for illustrative purpose only and forms no part of the claimed design.

1 Claim, 2 Drawing Sheets

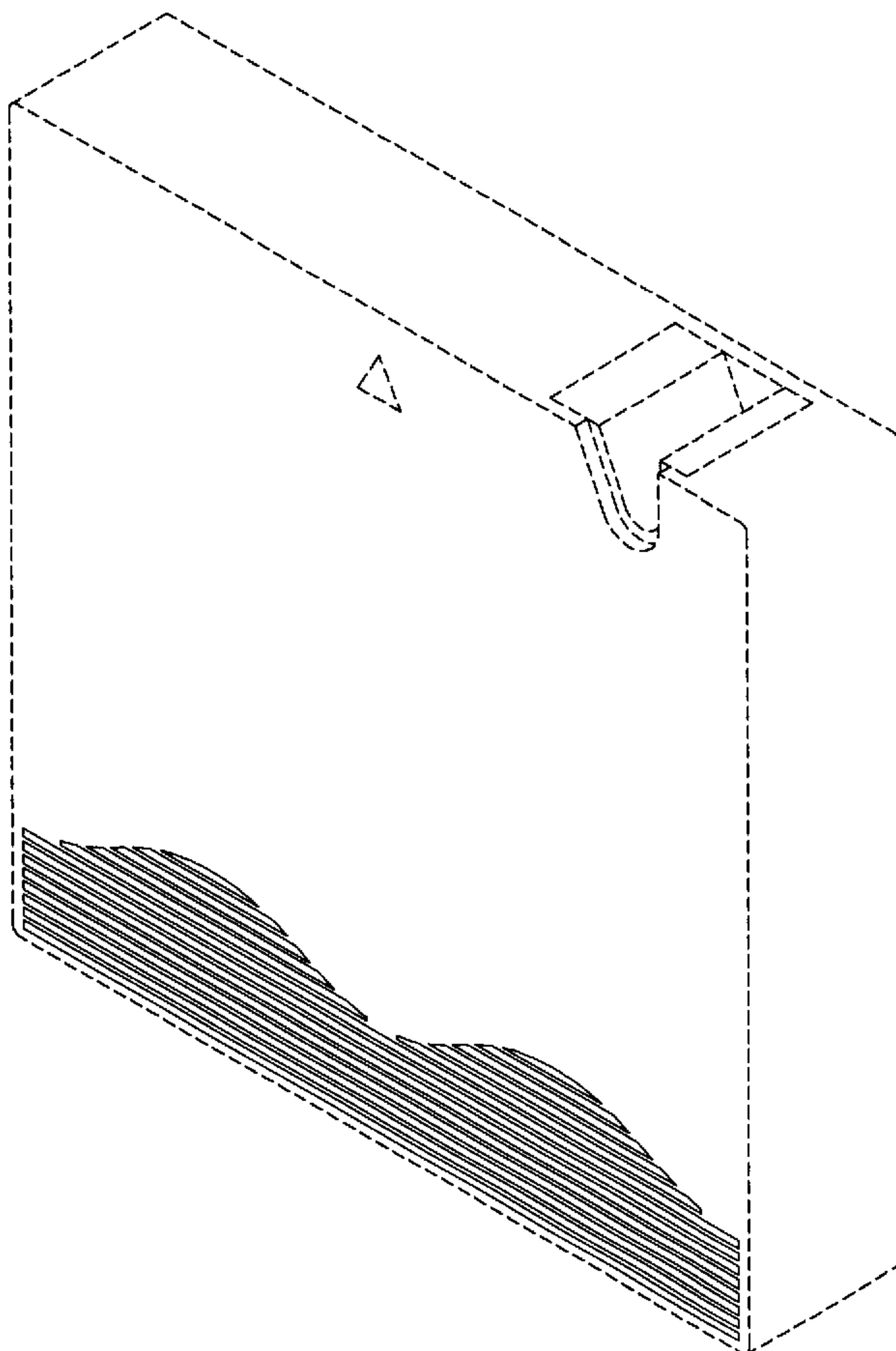


FIG. 1

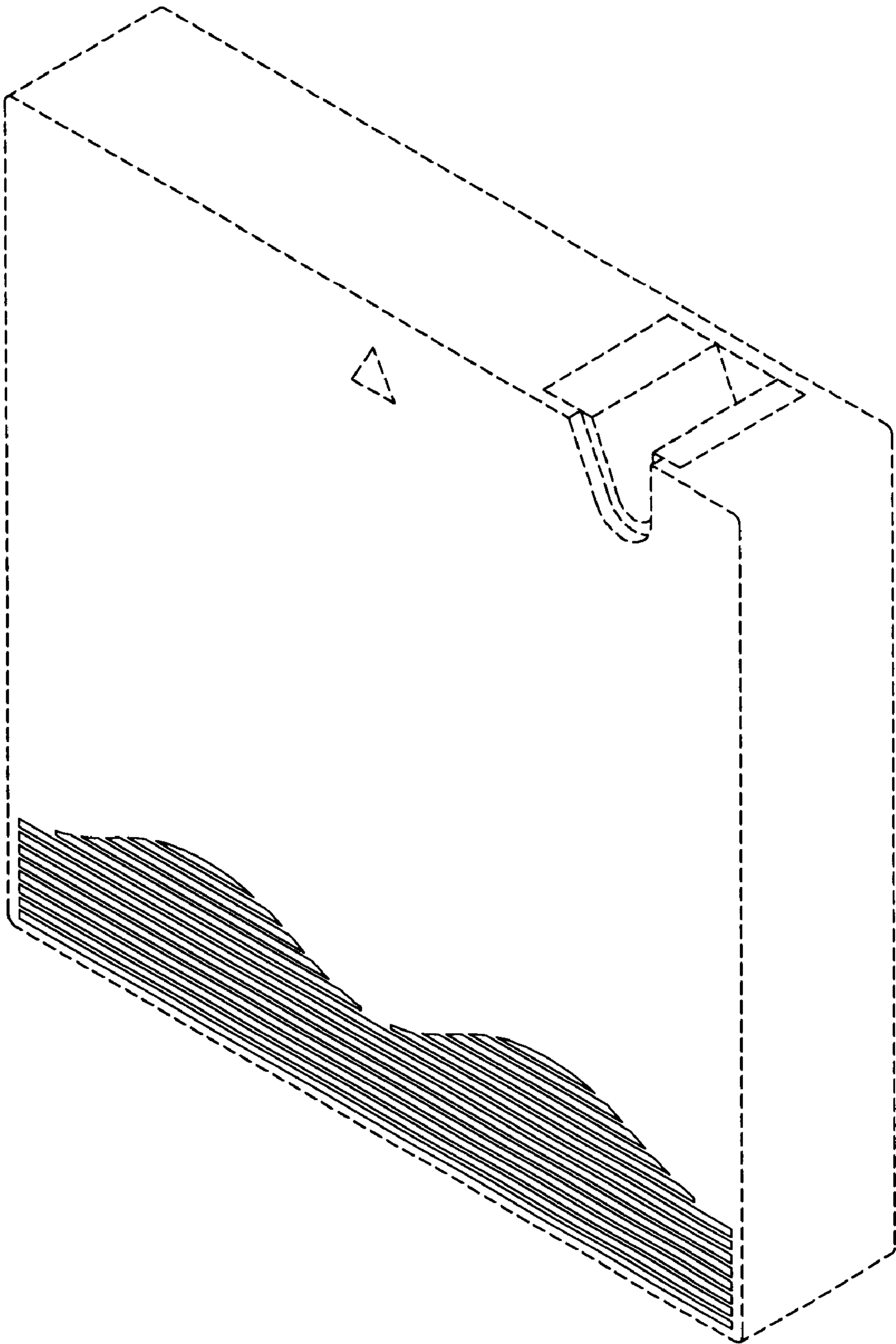


FIG. 2

