



US00D474192S

(12) **United States Design Patent**
Nonomura

(10) **Patent No.:** **US D474,192 S**

(45) **Date of Patent:** **** May 6, 2003**

(54) **TAPE SPOOL SUPPORT FOR TAPE CARTRIDGE**

(75) **Inventor:** **Yoshihito Nonomura, Gifu (JP)**

(73) **Assignee:** **Brother Industries, Ltd., Nagoya (JP)**

(**) **Term:** **14 Years**

(21) **Appl. No.:** **29/143,461**

(22) **Filed:** **Jun. 15, 2001**

(30) **Foreign Application Priority Data**

Dec. 20, 2000 (JP) 2000-036414

(51) **LOC (7) Cl.** **14-99**

(52) **U.S. Cl.** **D14/483**

(58) **Field of Search** D14/474-484,
D14/496, 161, 164; 360/131, 137, 134,
132; 242/327, 335, 338, 348, 354, 358,
358.1, 343.2, 345.2, 347, 376, 377, 382,
382.6, 385, 899, DIG. 1, 118; 369/292

(56) **References Cited**

U.S. PATENT DOCUMENTS

- 3,685,767 A * 8/1972 Kakiuchi et al. 242/354
- 3,701,178 A * 10/1972 Kuntz 242/358
- 3,897,027 A * 7/1975 Bolick, Jr. 242/324
- 4,062,716 A * 12/1977 Galantine et al. 242/DIG. 1

- 4,239,166 A * 12/1980 Daitoku 242/354
- D277,568 S * 2/1985 Ogata et al. D14/483
- D282,357 S * 1/1986 Gell D14/475
- 4,610,555 A * 9/1986 Di Luco 242/607.2
- 5,337,973 A * 8/1994 Matsumoto et al. 242/347
- D352,305 S * 11/1994 Cooper D14/475
- 5,645,242 A * 7/1997 Kikuchi et al. 242/347
- 5,671,893 A * 9/1997 Sasaki 242/347

* cited by examiner

Primary Examiner—Prabhakar Deshmukh

(74) *Attorney, Agent, or Firm*—Oliff & Berridge, PLC

(57) **CLAIM**

The ornamental design for a tape spool support for tape cartridge, as shown and described.

DESCRIPTION

FIG. 1 is a perspective view of a tape spool support for tape cartridge from one side;
FIG. 2 is a perspective view thereof from another side;
FIG. 3 is a top view thereof;
FIG. 4 is a front view thereof; and,
FIG. 5 is a rear view thereof.

The bottom, left side and right side views contain no ornamentality and are omitted. The broken lines define the bounds of the claimed design, but do not form part of the claimed design.

1 Claim, 3 Drawing Sheets

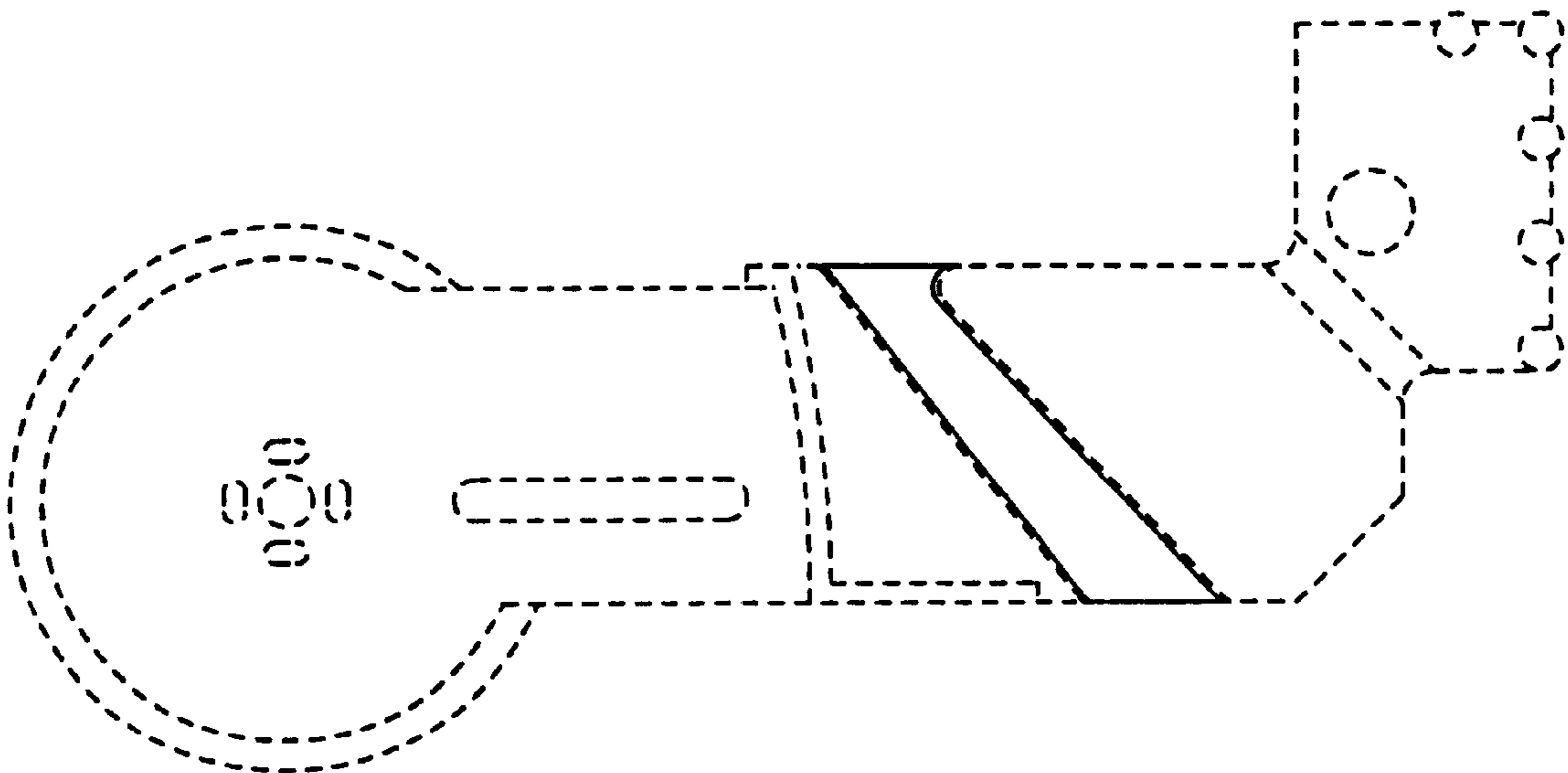


FIG. 1

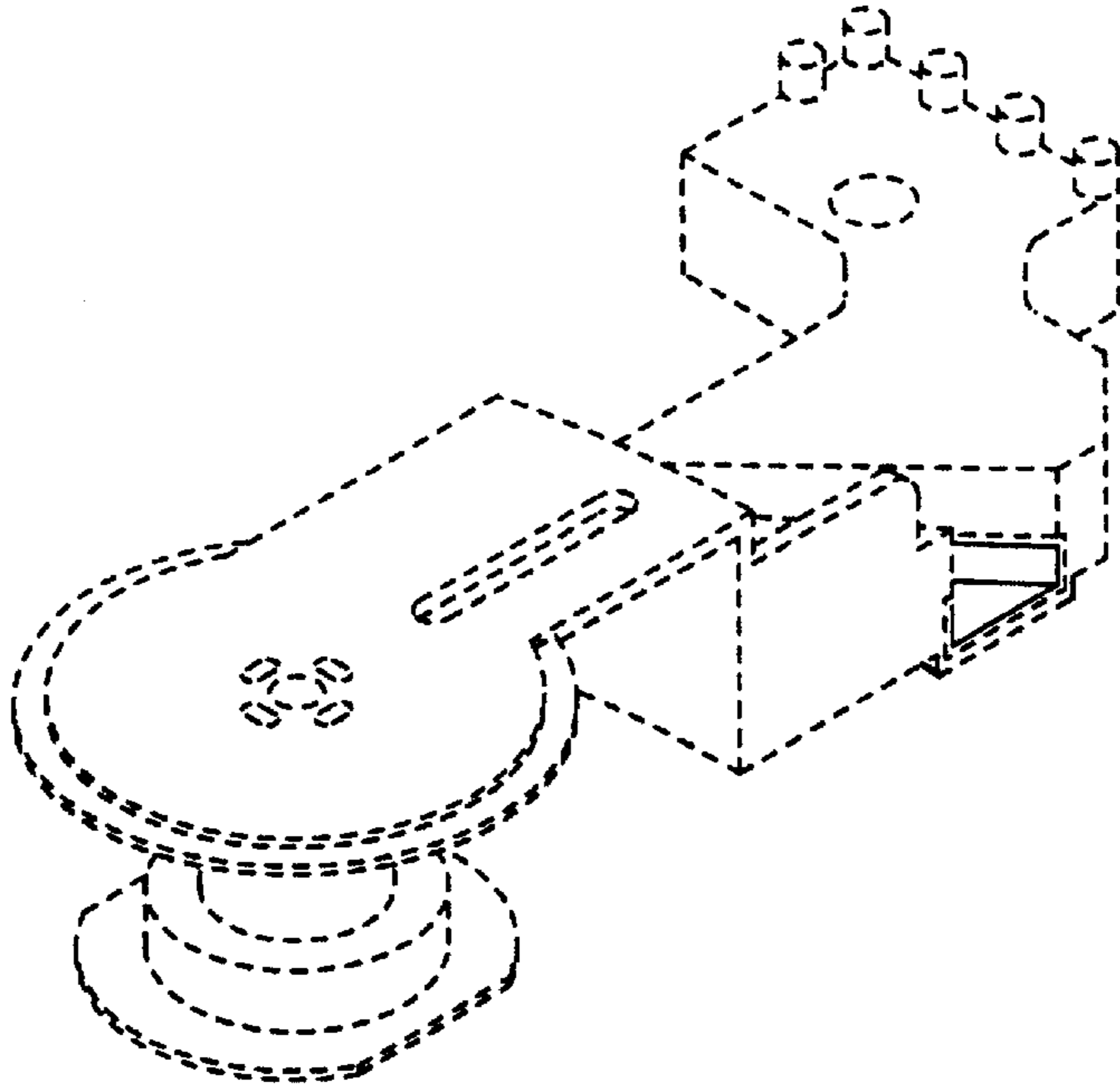


FIG. 2

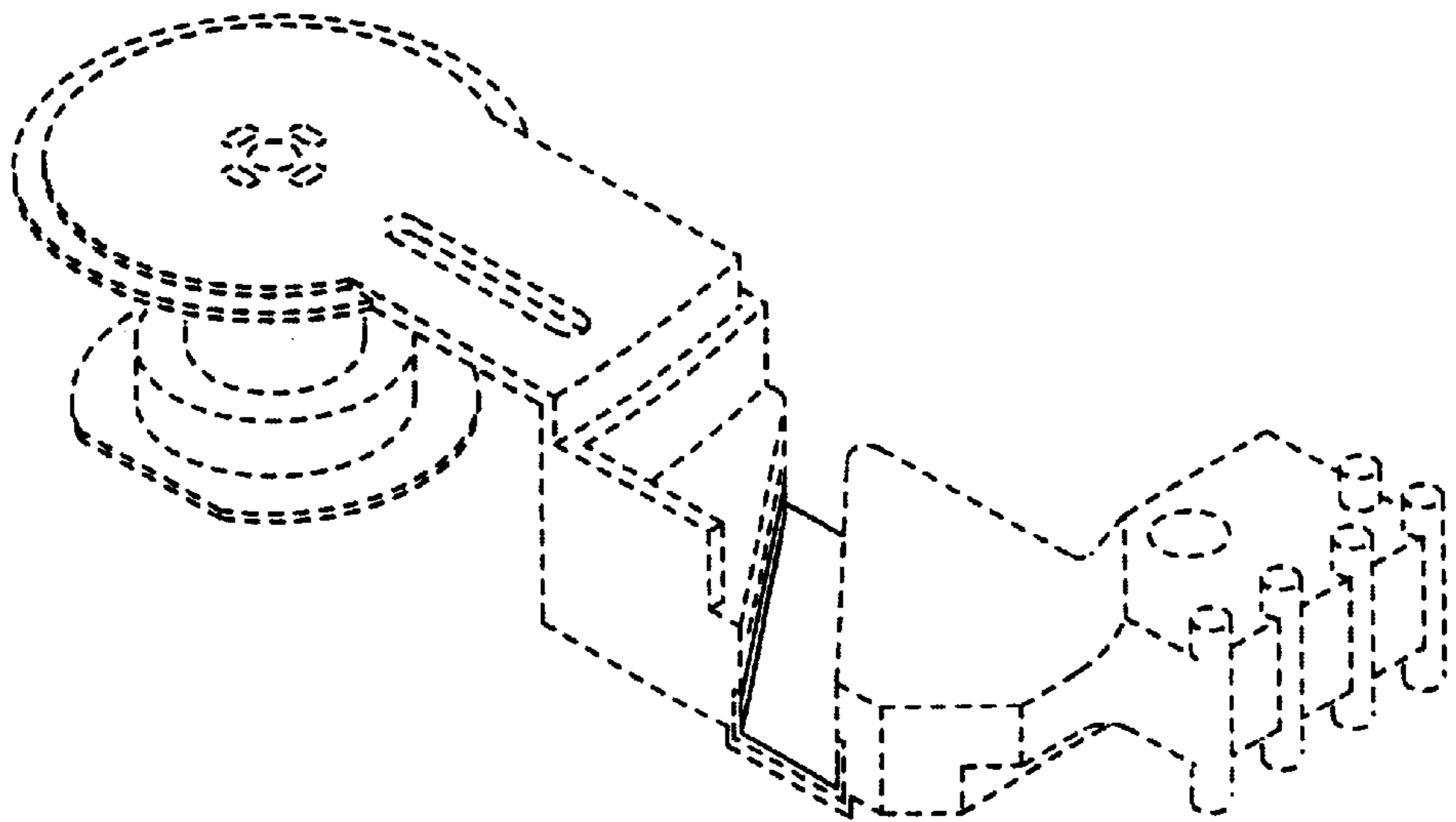


FIG. 3

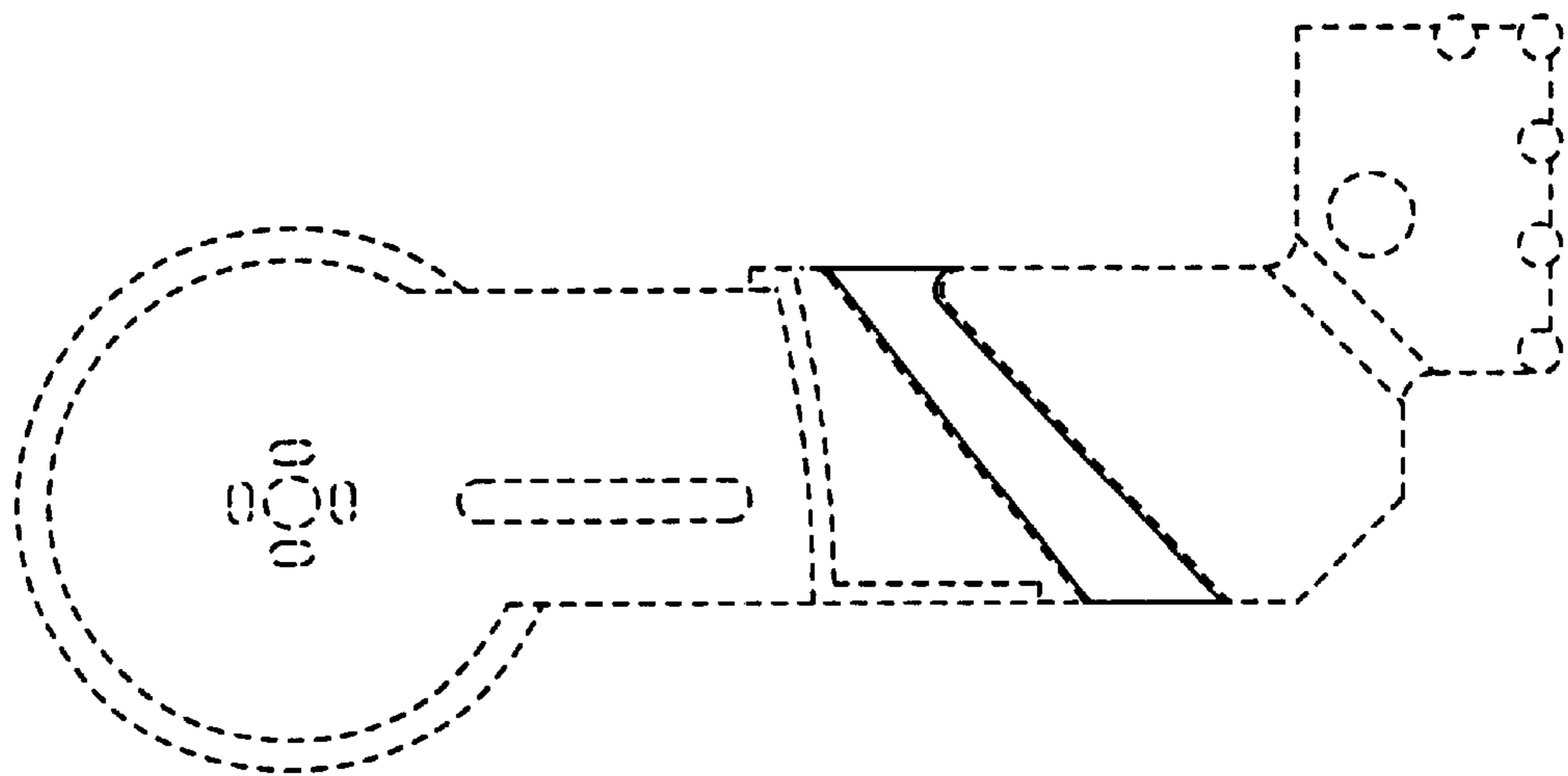


FIG. 4

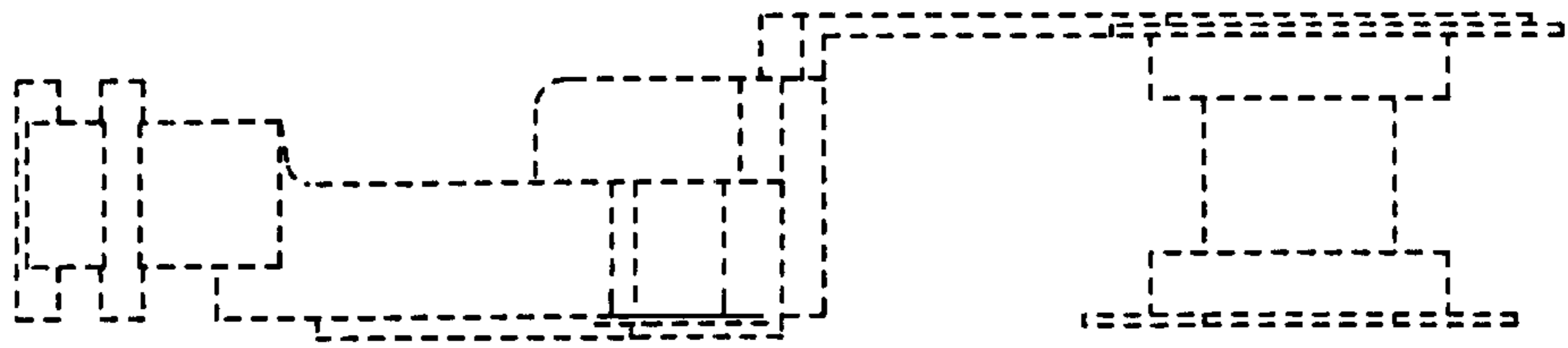


FIG. 5

