



US00D474191S

(12) **United States Design Patent**
Nakayama

(10) **Patent No.:** **US D474,191 S**

(45) **Date of Patent:** **** May 6, 2003**

(54) **TAPE CARTRIDGE**

D407,084 S 3/1999 Waater et al. D14/475
D465,786 S * 11/2002 Hoge et al. D14/475

(75) Inventor: **Miya Nakayama**, Tokyo (JP)

OTHER PUBLICATIONS

(73) Assignee: **Sony Corporation**, Tokyo (JP)

Web Page "data media," DL-3TK85S, <http://www.sony.jp/Products/DataMedia/products/DTL/index.html>, 2 sheets, SONY (Apr. 2002).

(**) Term: **14 Years**

* cited by examiner

(21) Appl. No.: **29/163,815**

(22) Filed: **Jul. 15, 2002**

Primary Examiner—Prabhakar Deshmukh

(51) **LOC (7) Cl.** **14-99**

(74) *Attorney, Agent, or Firm*—Rader, Fishman & Grauer PLLC

(52) **U.S. Cl.** **D14/475**

(58) **Field of Search** D14/474-482,
D14/435; D21/332, 324; 242/348-348.4;
360/132-135, 900; 206/307, 308.1, 308.2,
308.3; 369/275.1-275.5, 280-292; 463/43,
44, 45, 46

(57) **CLAIM**

The ornamental design for a tape cartridge, as shown.

(56) **References Cited**

DESCRIPTION

U.S. PATENT DOCUMENTS

D197,892 S * 4/1964 Lee D14/475
D230,991 S * 3/1974 Catto et al. D14/475
4,608,617 A * 8/1986 Oishi et al. 360/133
5,029,771 A * 7/1991 Ranoia 242/348
5,209,424 A * 5/1993 Fischer et al. 242/348.2
5,681,002 A * 10/1997 Kikuchi 242/348
5,868,338 A * 2/1999 Martin et al. 242/348

FIG. 1 is a perspective view of a tape cartridge showing my new design; and
FIG. 2 is a front elevational view thereof.
FIG. 3 is a rear elevational view thereof;
FIG. 4 is a left side elevational view thereof;
FIG. 5 is a right side elevational view thereof;
FIG. 6 is a top plan view thereof; and,
FIG. 7 is a bottom plan view thereof.

1 Claim, 4 Drawing Sheets

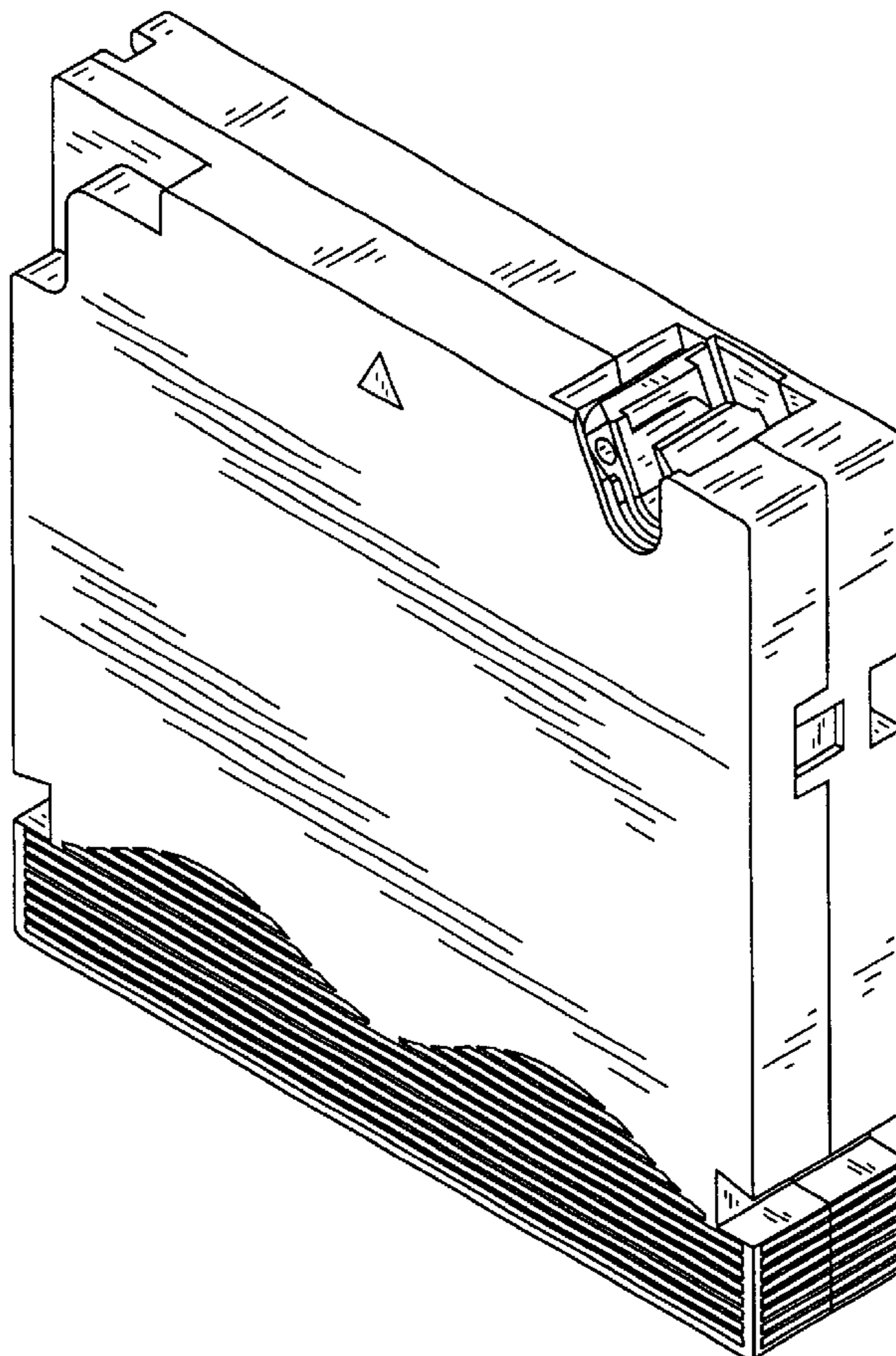


FIG. 1

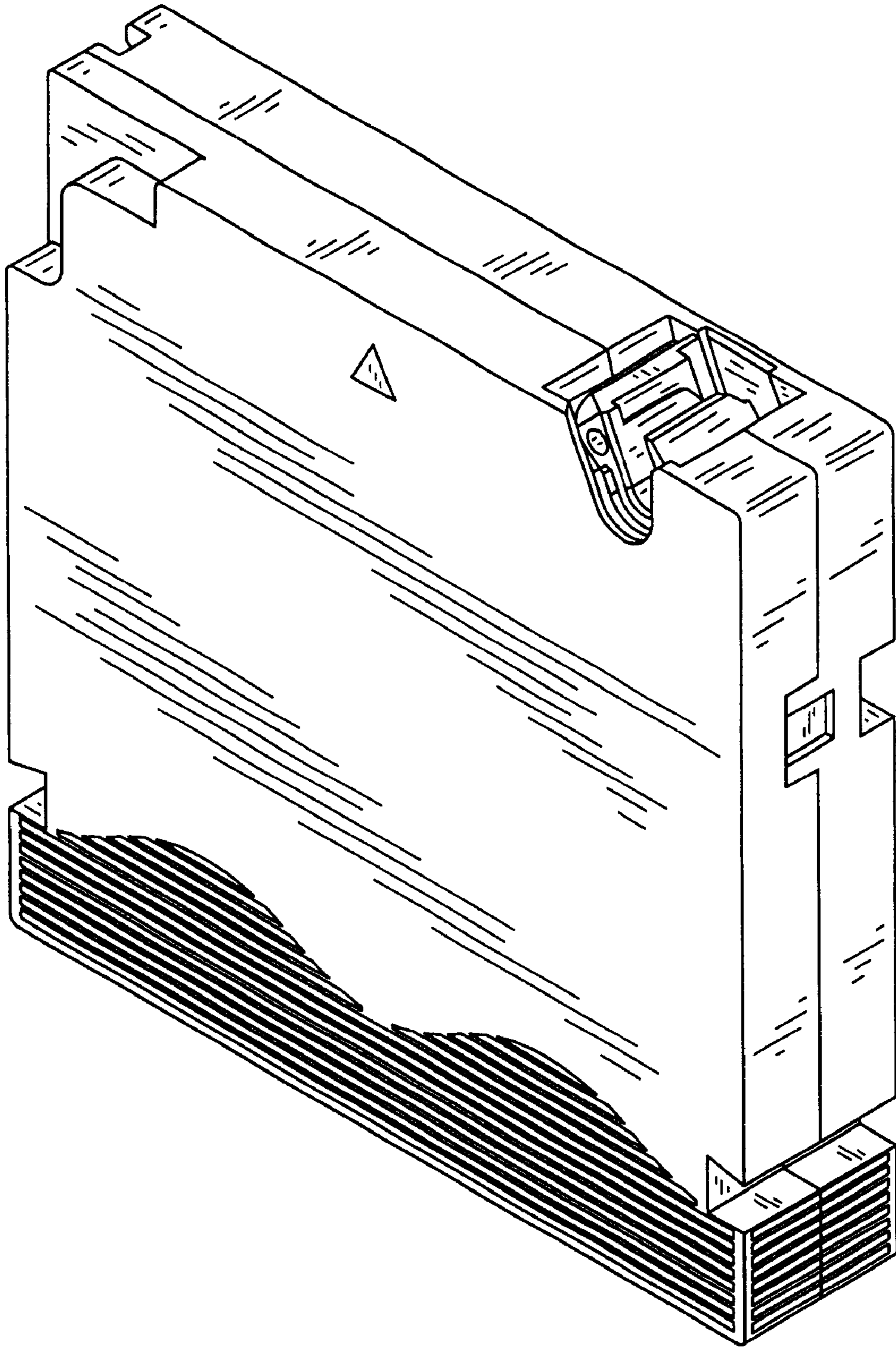


FIG. 2

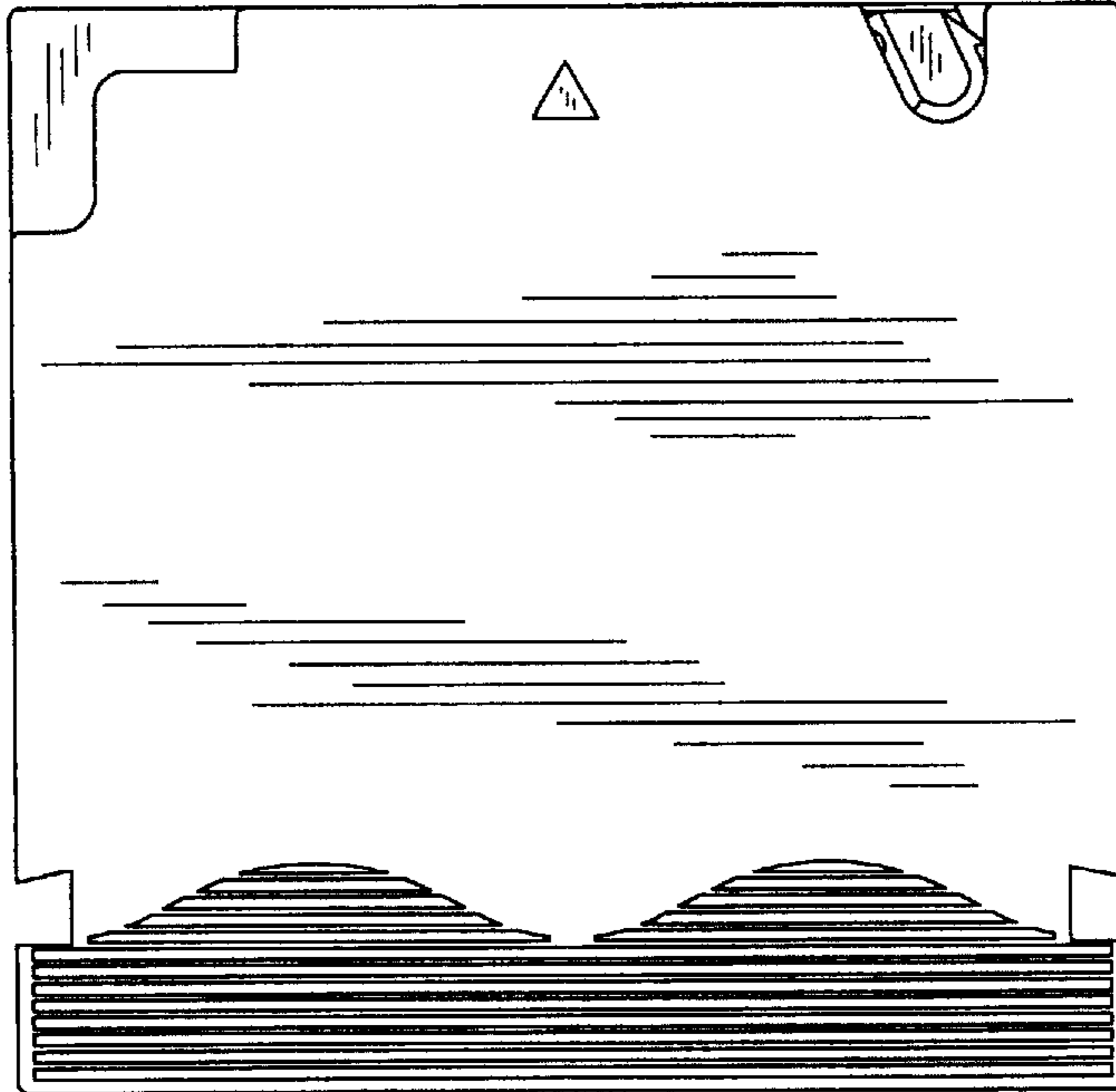


FIG. 3

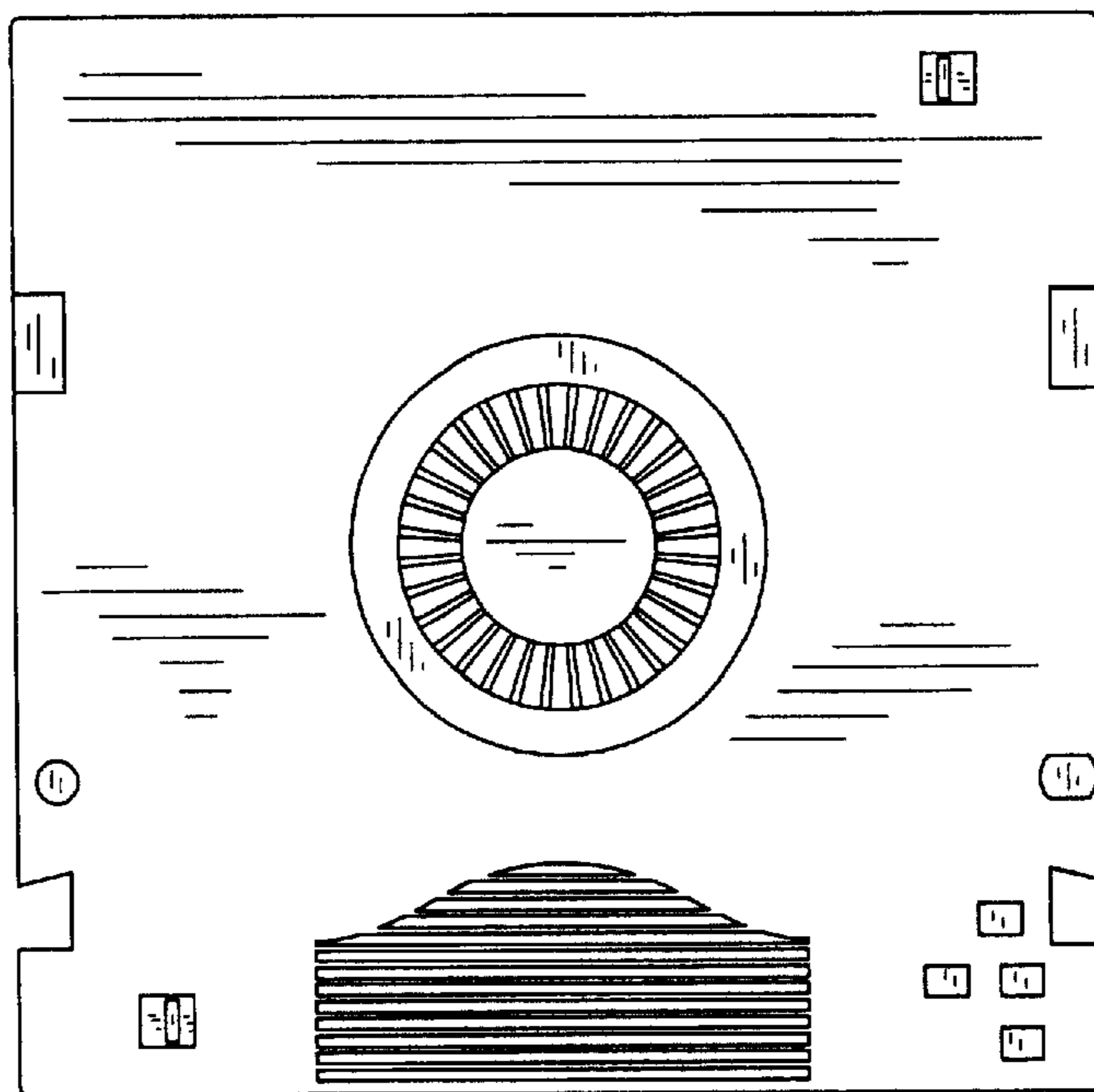


FIG. 4

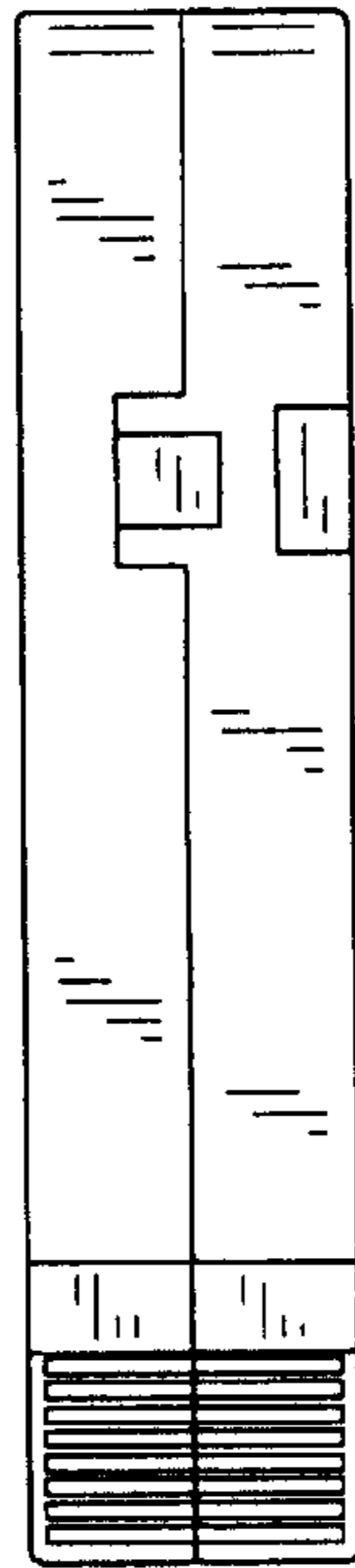


FIG. 5

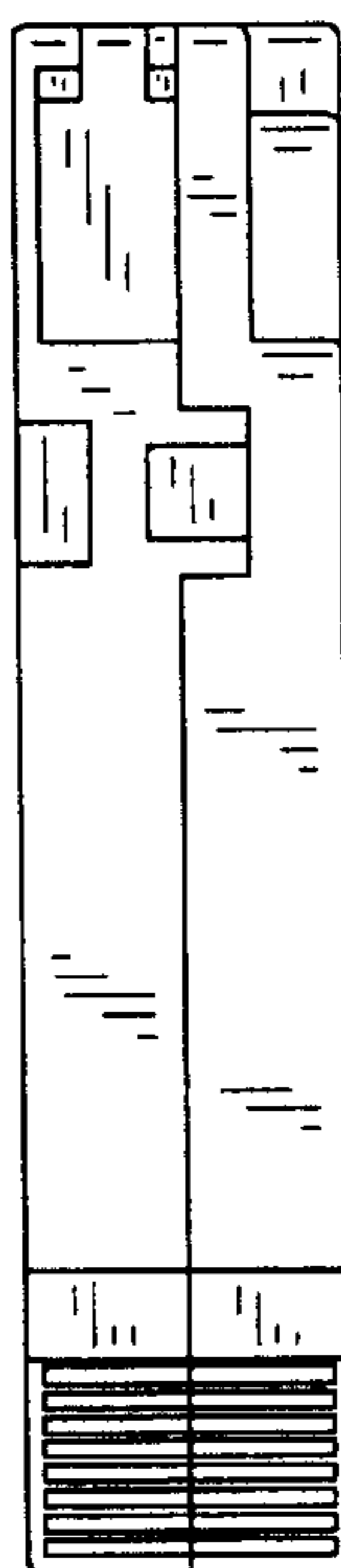


FIG. 6

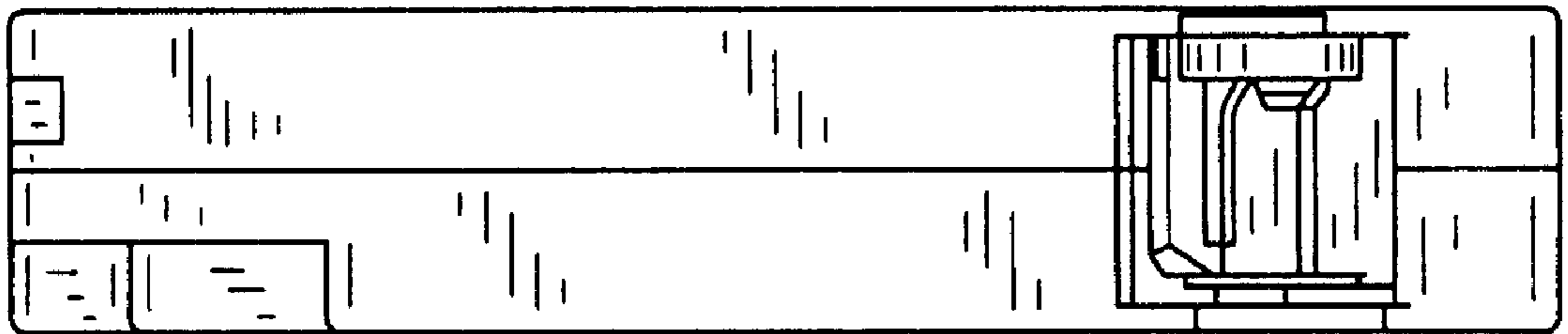


FIG. 7

