



US00D474190S

(12) **United States Design Patent**  
**Goto**

(10) **Patent No.:** **US D474,190 S**

(45) **Date of Patent:** **\*\* May 6, 2003**

(54) **PORTION OF A SUPPORTING BASE**

(75) Inventor: **Teiyu Goto**, Tokyo (JP)

(73) Assignee: **Sony Computer Entertainment, Inc.**,  
Tokyo (JP)

(\*\*) Term: **14 Years**

(21) Appl. No.: **29/155,172**

(22) Filed: **Feb. 6, 2002**

**Related U.S. Application Data**

(62) Division of application No. 29/123,698, filed on May 24,  
2000, now Pat. No. Des. 458,269.

(30) **Foreign Application Priority Data**

Jan. 18, 2000 (JP) ..... 2000-000500  
Jan. 18, 2000 (JP) ..... 2000-000499

(51) **LOC (7) Cl.** ..... **14-02**

(52) **U.S. Cl.** ..... **D14/451**

(58) **Field of Search** ..... D14/432, 356,  
D14/388; D8/402, 349, 354, 380, 382,  
400; D6/512, 524; D9/439; 138/89, 104,  
96 R; 248/243, 250, 615, 235, 309.1, 312;  
211/13.1, 86.01, 87.01, 94.02, 126.1, 134;  
215/247, 249, 355

(56) **References Cited**

**U.S. PATENT DOCUMENTS**

D30,056 S \* 1/1899 Burrowes  
D270,026 S 8/1983 Whitford  
D287,365 S 12/1986 Judd  
D289,796 S \* 5/1987 Larkin  
D321,471 S \* 11/1991 Stumpf et al.  
D328,033 S \* 7/1992 DiGuisseppi  
D328,419 S \* 8/1992 Brayford  
D330,021 S 10/1992 Kline et al.  
D330,705 S 11/1992 Gowda et al.  
D335,231 S \* 5/1993 Bengtson

D338,882 S 8/1993 Reiter  
D349,696 S 8/1994 Hames  
D350,536 S 9/1994 McKnight et al.  
D361,561 S 8/1995 Baudot  
D362,245 S 9/1995 Moffatt  
D383,728 S 9/1997 Yurkonis et al.  
D416,878 S 11/1999 Yeh et al.  
D437,782 S \* 2/2001 Haley et al.  
6,189,573 B1 \* 2/2001 Ziehm  
D438,784 S \* 3/2001 Berger

**FOREIGN PATENT DOCUMENTS**

DE 9602827 12/1996

**OTHER PUBLICATIONS**

“InfoMac,” MACWORLD Expo Taiwan, Feb. 1996.  
“The Third Wave,” p. 38, May 1998.  
“Storage Plus,” p. 408, Computer Product, Jan. 1996.

\* cited by examiner

*Primary Examiner*—M. H. Tung

(74) *Attorney, Agent, or Firm*—Rader, Fishman & Grauer  
PLLC

(57) **CLAIM**

The ornamental design for a portion of a supporting base, as  
shown and described.

**DESCRIPTION**

FIG. 1 is a perspective view of a portion of a supporting base  
showing my design;  
FIG. 2 is a top plan view thereof;  
FIG. 3 is a front elevational view thereof;  
FIG. 4 is a rear elevational view thereof;  
FIG. 5 is a bottom plan view thereof;  
FIG. 6 is a right side elevational view thereof; and,  
FIG. 7 is a left side elevational view thereof.  
Portions in broken lines are for illustrative purposes only  
and form no part of the claimed design.

**1 Claim, 2 Drawing Sheets**

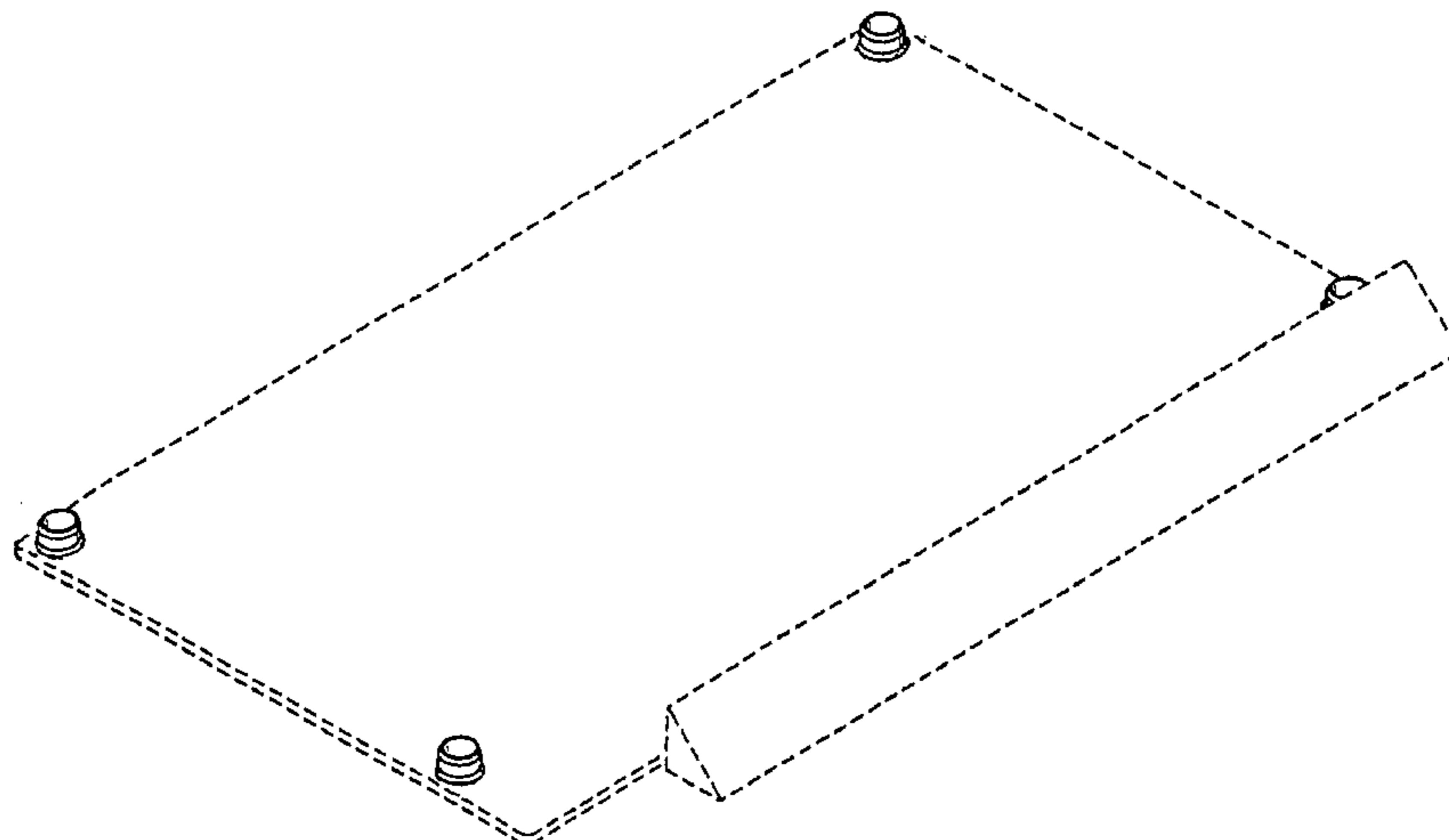


FIG. 6



FIG. 7



FIG. 1

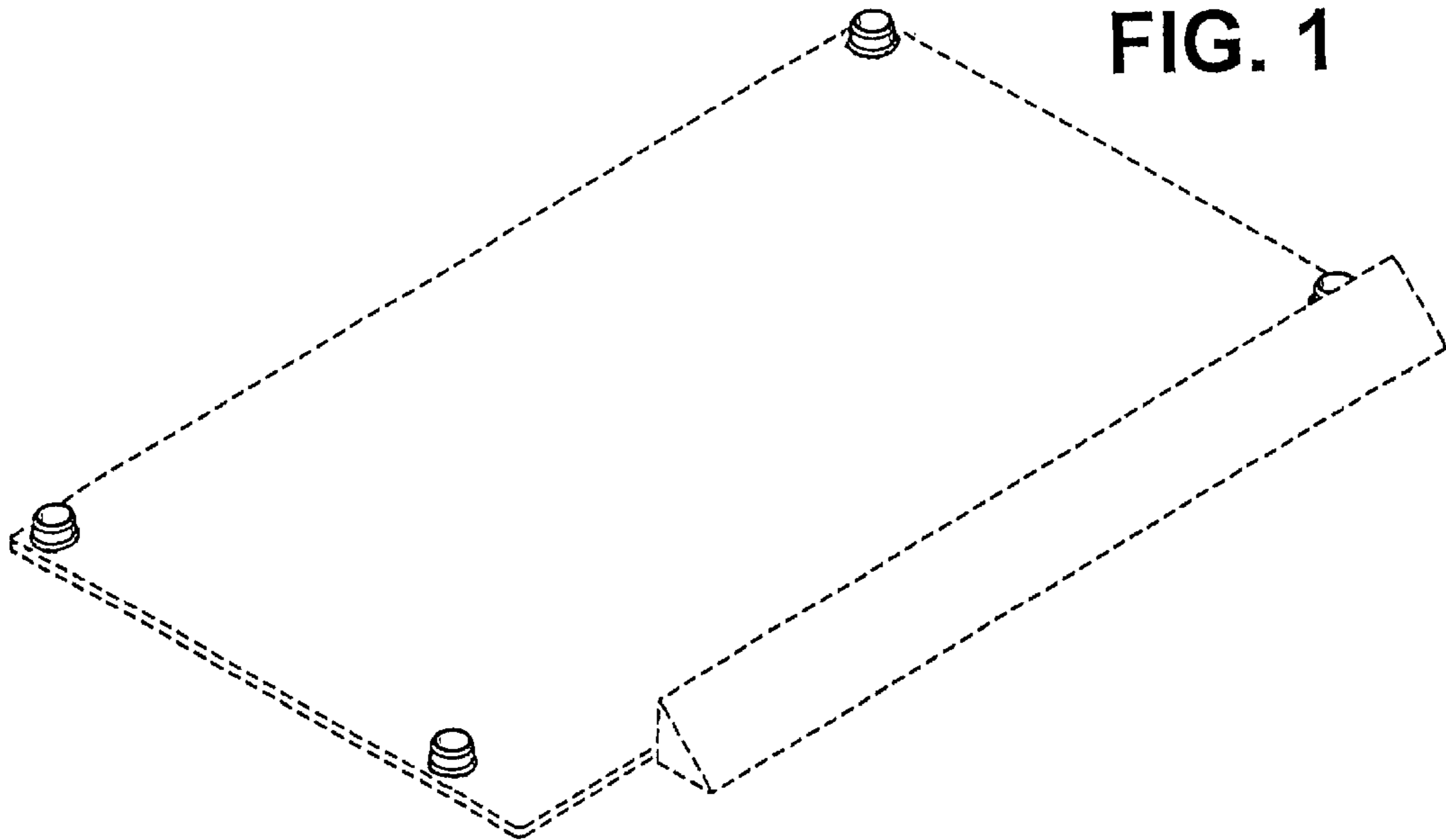


FIG. 2

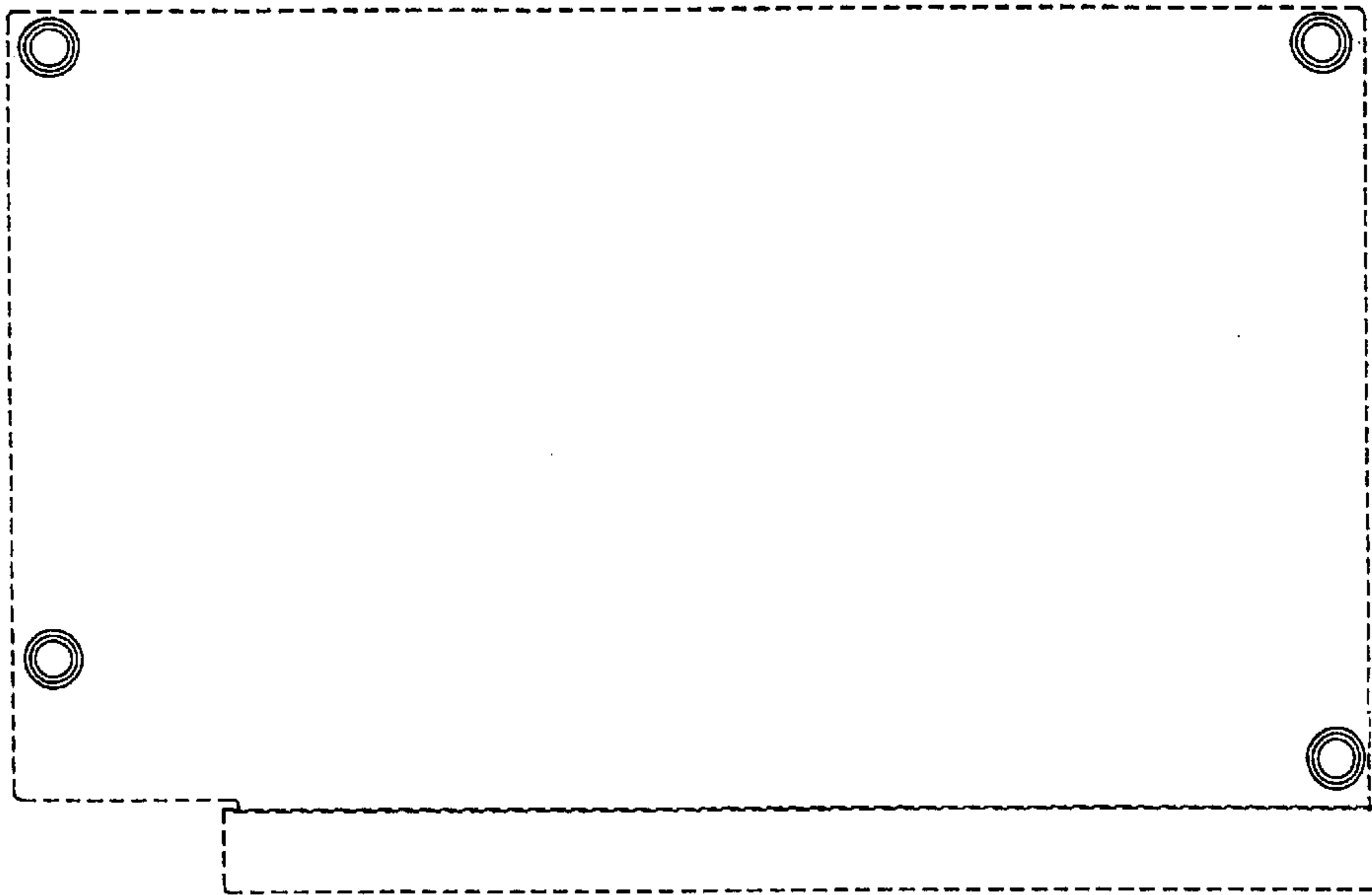


FIG. 3



FIG. 4

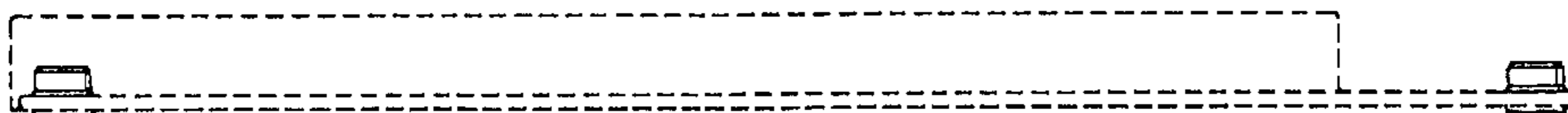


FIG. 5

