



US00D474189S

(12) **United States Design Patent**  
**Andre et al.**

(10) **Patent No.:** **US D474,189 S**

(45) **Date of Patent:** **\*\* May 6, 2003**

(54) **COMPUTER STAND**

(75) Inventors: **Bartley K. Andre**, Menlo Park, CA (US); **Daniel J. Coster**, San Francisco, CA (US); **Daniele De Iuliis**, San Francisco, CA (US); **Richard P. Howarth**, San Francisco, CA (US); **Jonathan P. Ive**, San Francisco, CA (US); **Duncan Robert Kerr**, San Francisco, CA (US); **Matthew Dean Rohrbach**, San Francisco, CA (US); **Douglas B. Satzger**, San Carlos, CA (US); **Calvin Q. Seid**, Palo Alto, CA (US); **Christopher J. Stringer**, Pacifica, CA (US); **Eugene Anthony Whang**, San Francisco, CA (US)

(73) Assignee: **Apple Computer, Inc.**, Cupertino, CA (US)

(\*\*) Term: **14 Years**

(21) Appl. No.: **29/165,399**

(22) Filed: **Aug. 9, 2002**

**Related U.S. Application Data**

(63) Continuation-in-part of application No. 29/159,936, filed on Apr. 29, 2002.

(51) **LOC (7) Cl.** ..... **14-02**

(52) **U.S. Cl.** ..... **D14/447; D14/451**

(58) **Field of Search** ..... **D14/439, 447, D14/448, 451, 452; D6/455, 496, 498; 248/922, 923, 371, 349.1; 361/681, 683**

(56) **References Cited**

**U.S. PATENT DOCUMENTS**

D253,594 S	*	12/1979	Antenbring .....	D14/451
D290,612 S	*	6/1987	Choate et al. ....	D14/451
D303,959 S	*	10/1989	Suyama et al. ....	D14/451
5,209,446 A	*	5/1993	Kawai .....	248/349.1
D362,244 S	*	9/1995	Takemasa .....	D14/451
D394,646 S	*	5/1998	Ratzlaff .....	D14/451
6,089,520 A	*	7/2000	Wu et al. ....	248/371

\* cited by examiner

*Primary Examiner*—Kay H. Chin  
(74) *Attorney, Agent, or Firm*—Beyer Weaver & Thomas, LLP

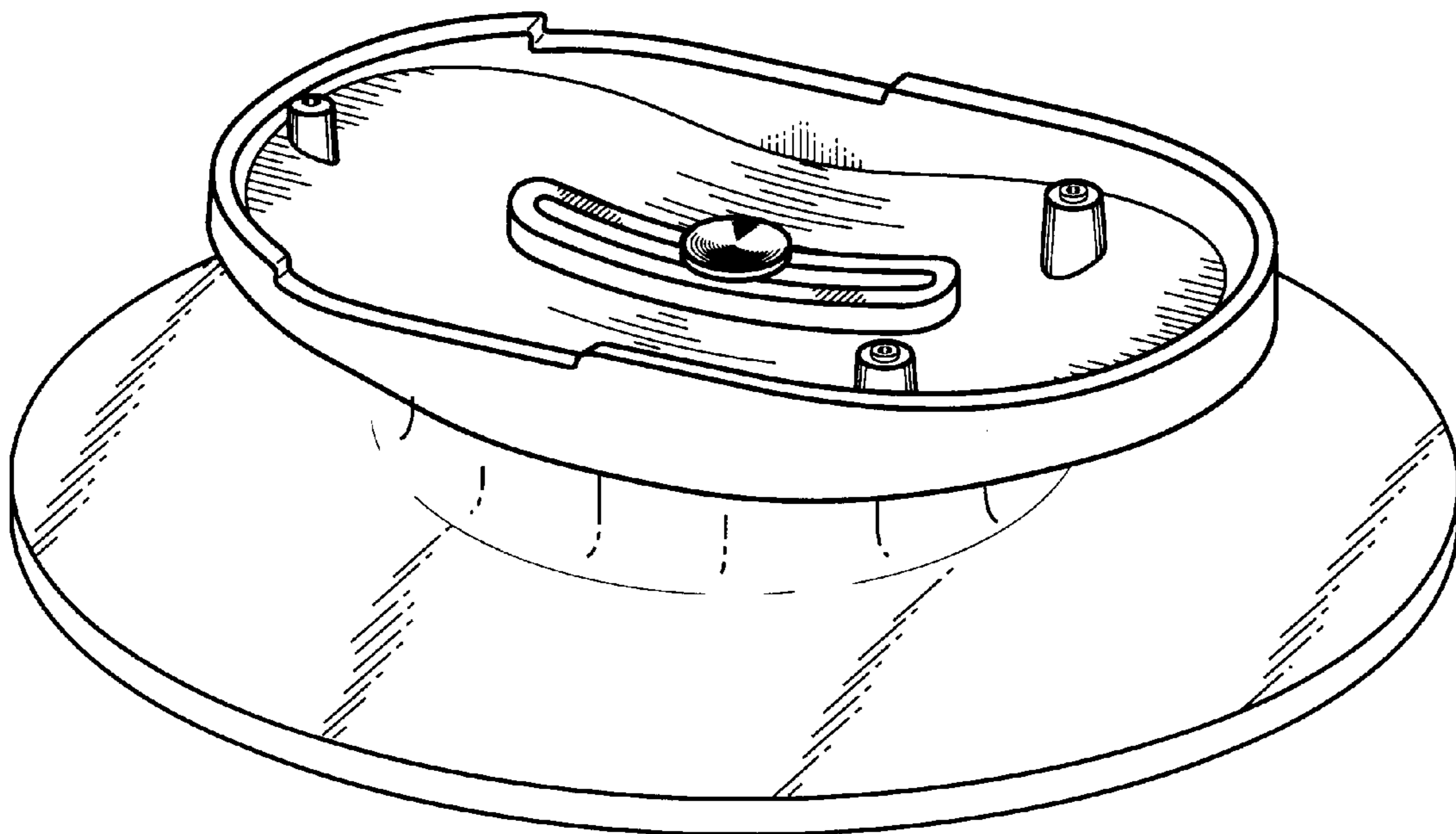
(57) **CLAIM**

The ornamental design for a computer stand, as shown and described.

**DESCRIPTION**

FIG. 1 is a top perspective view of a computer stand showing our new design;  
FIG. 2 is a right side elevation view thereof;  
FIG. 3 is a left side elevation view thereof;  
FIG. 4 is a front elevation view thereof;  
FIG. 5 is a rear elevation view thereof;  
FIG. 6 is a top plan view thereof; and,  
FIG. 7 is a bottom plan view thereof.

**1 Claim, 5 Drawing Sheets**



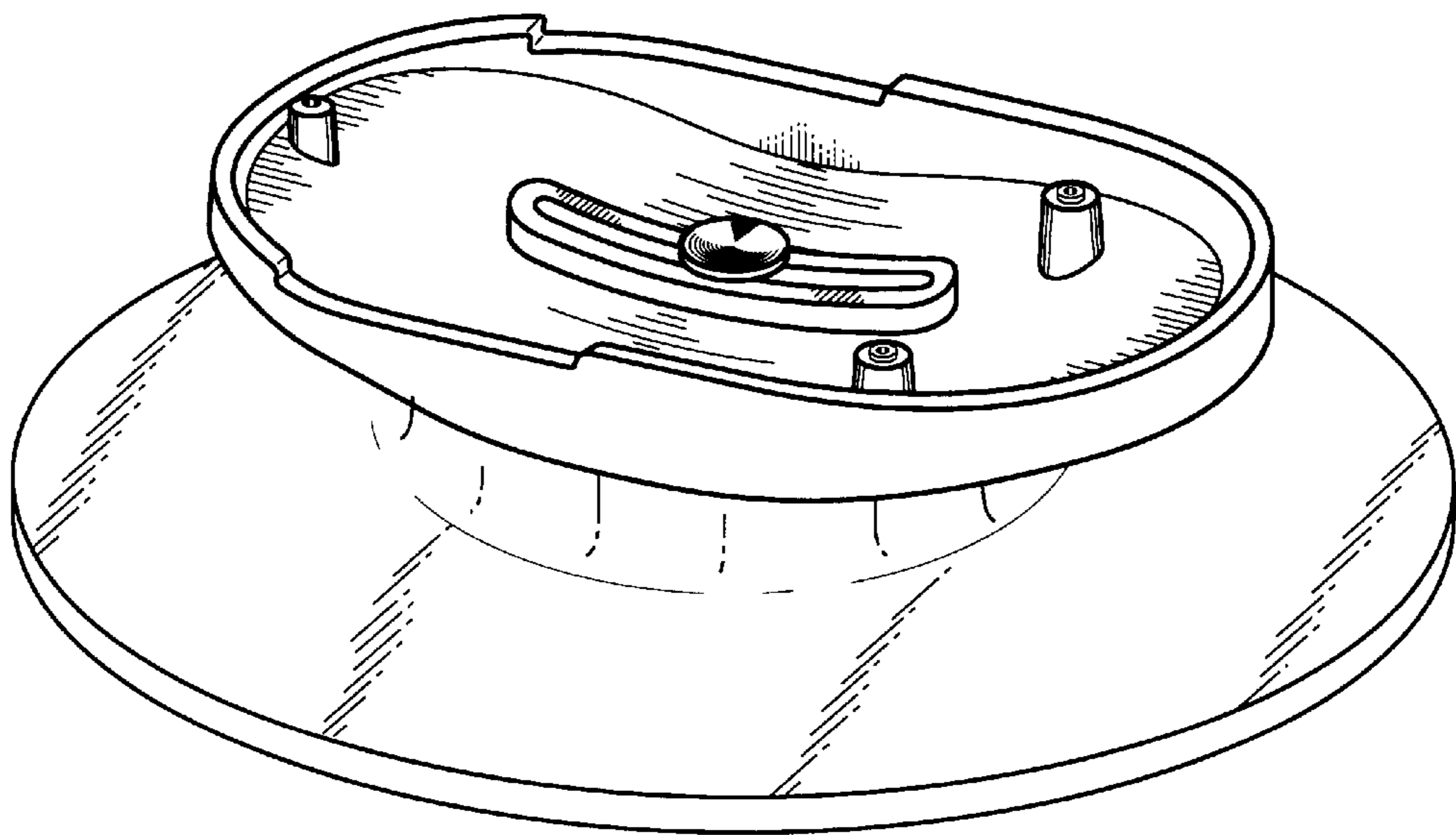


FIG. 1

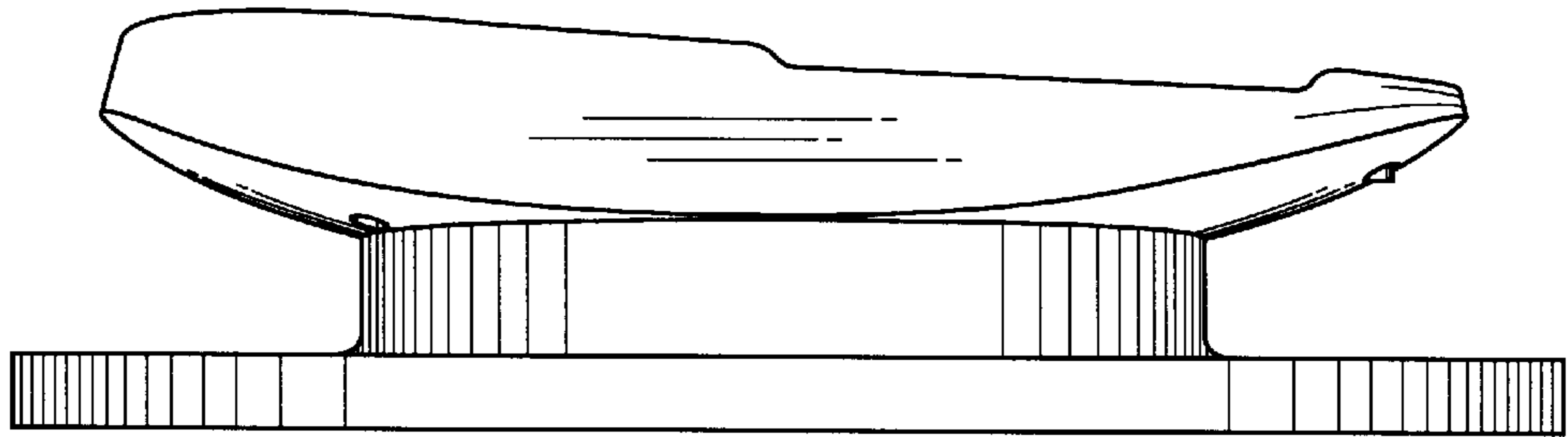


FIG 2

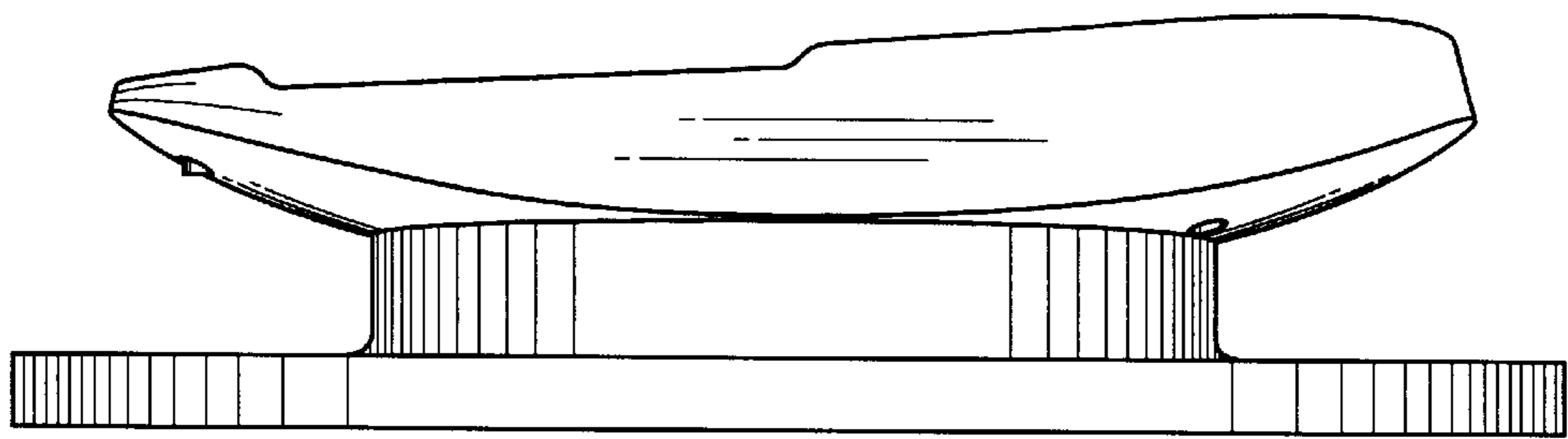


FIG 3

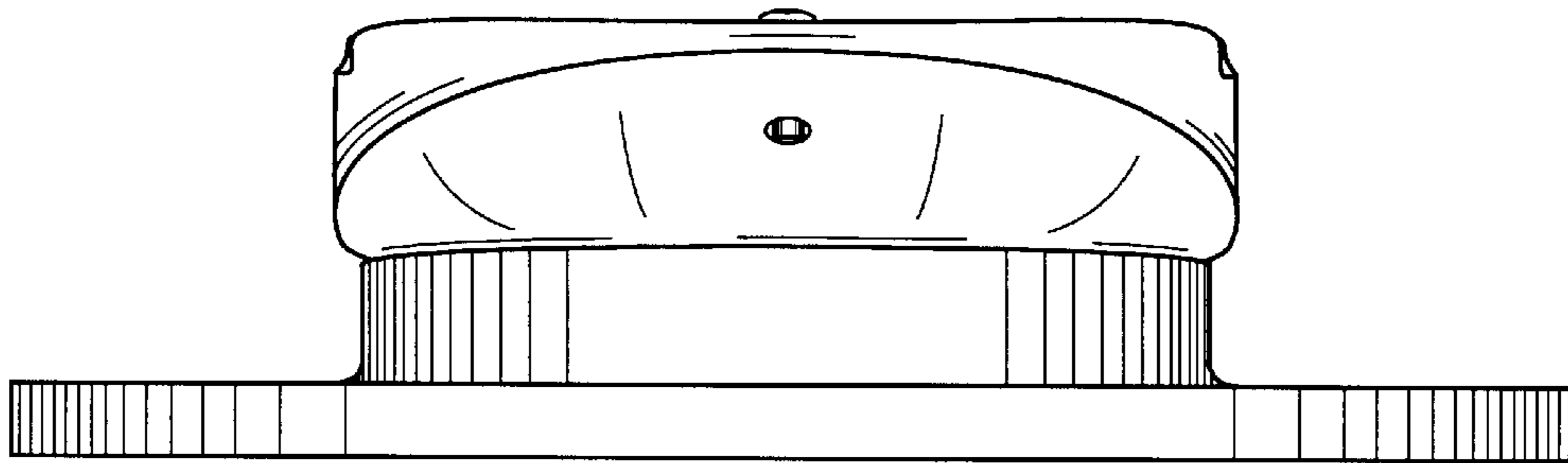


FIG. 4

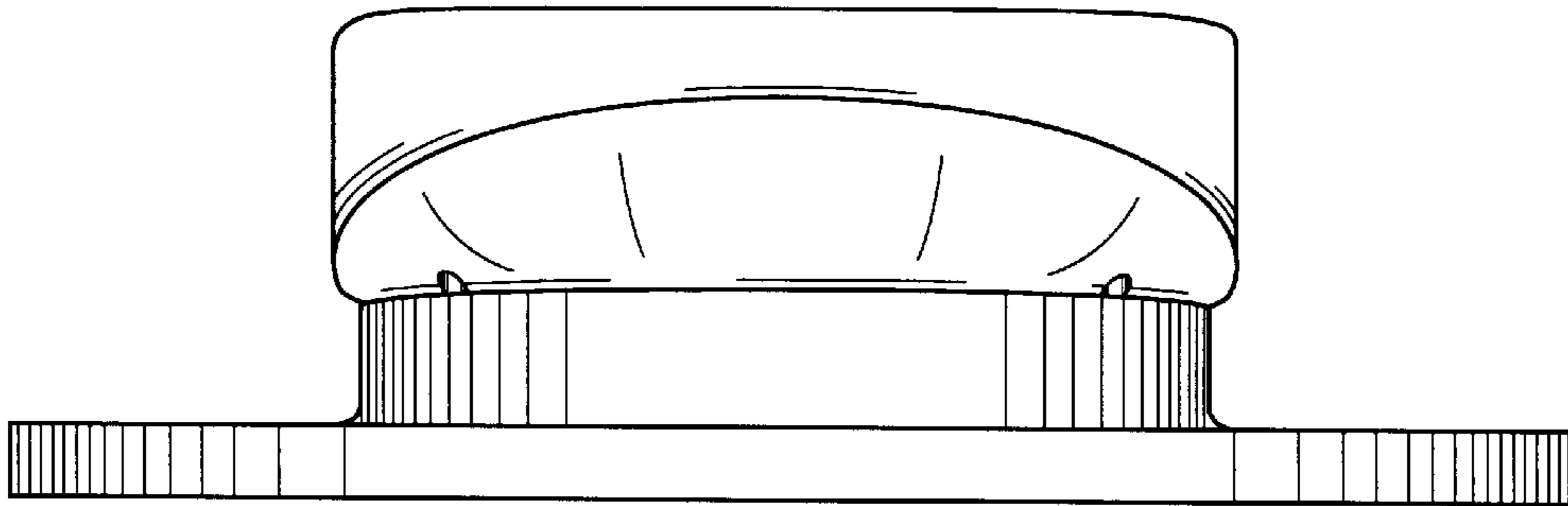


FIG. 5

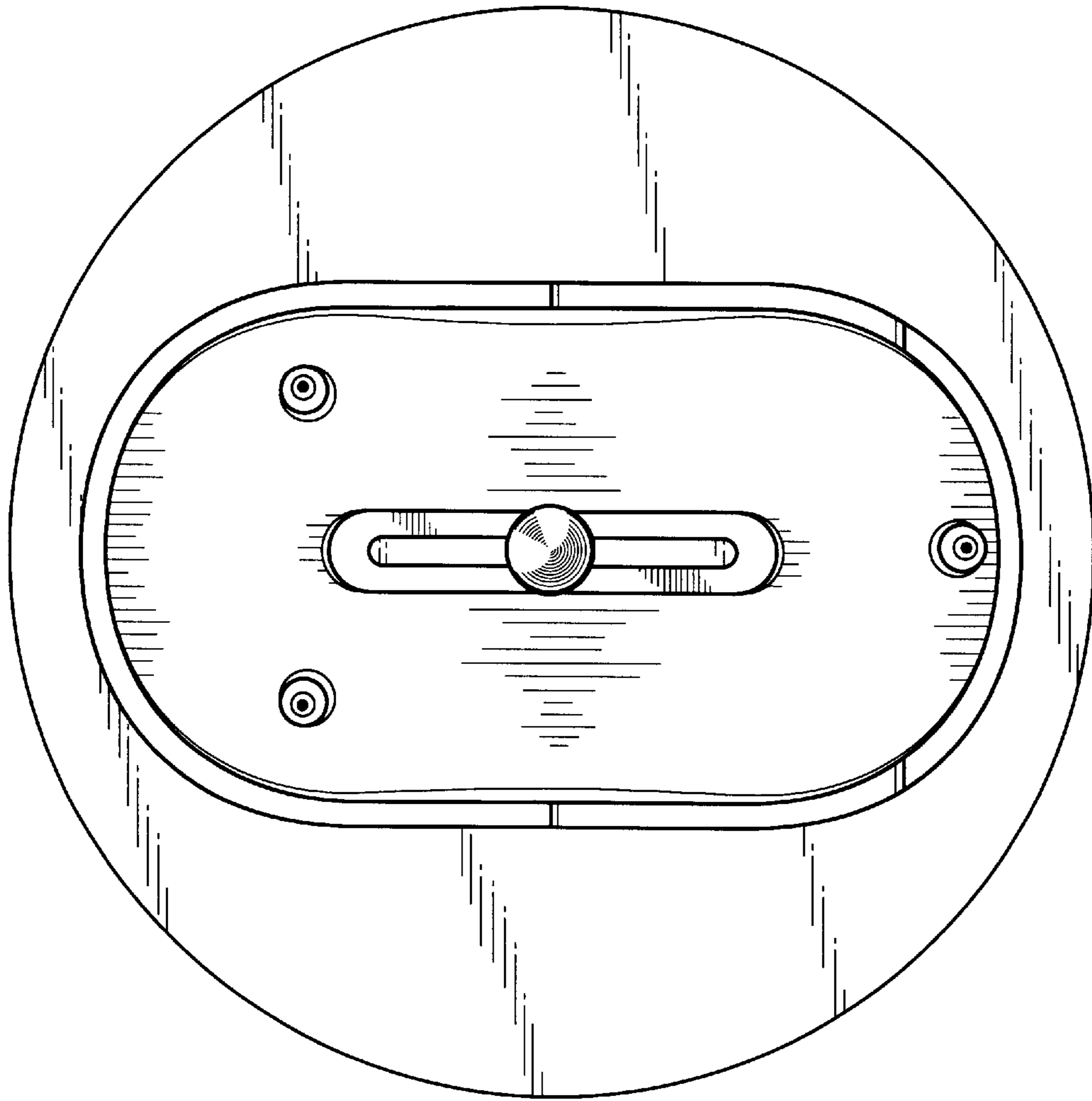


FIG. 6

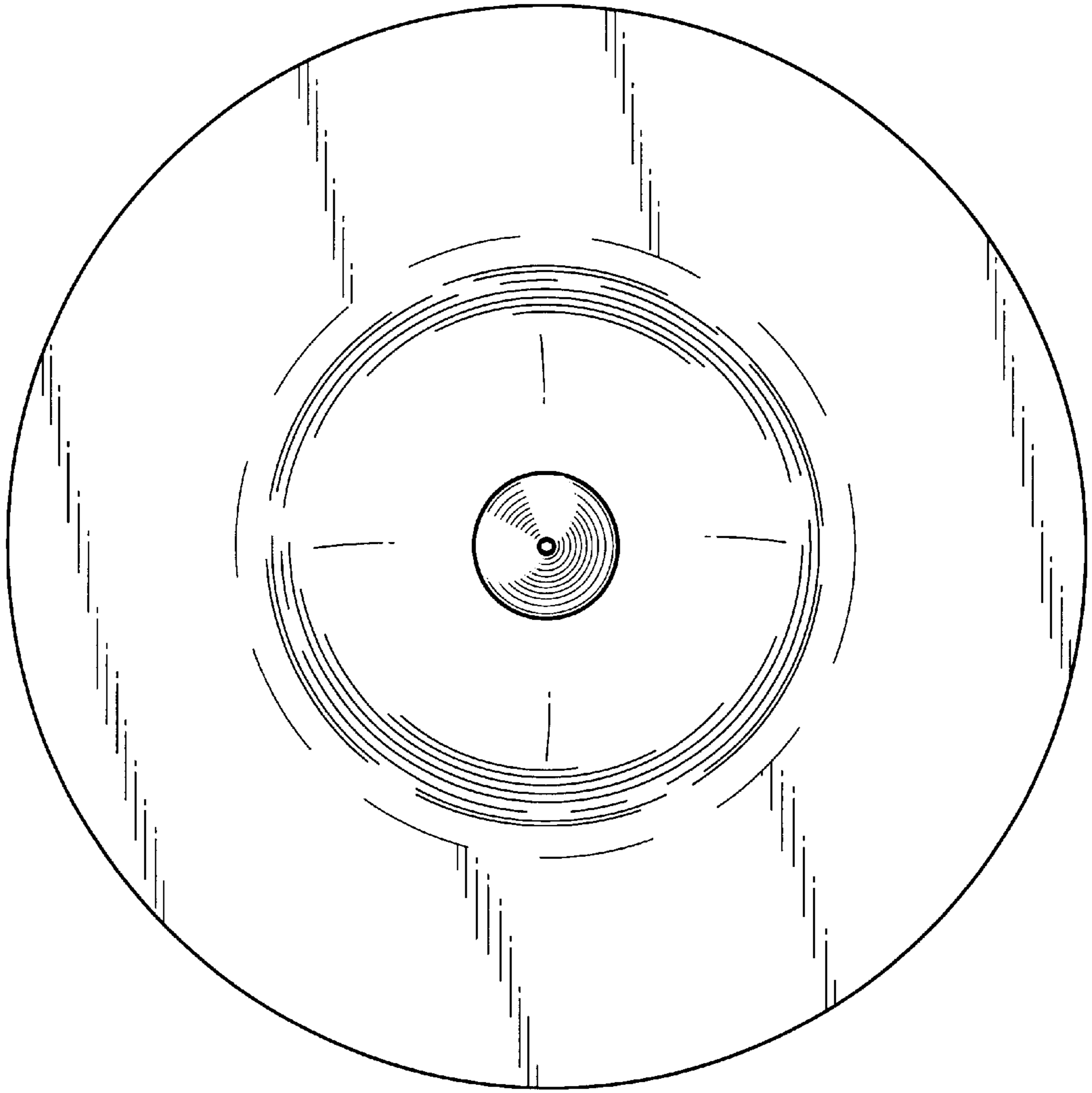


FIG. 7