



US00D474187S

(12) **United States Design Patent**
Hsu

(10) **Patent No.:** **US D474,187 S**

(45) **Date of Patent:** **** May 6, 2003**

(54) **COMPUTER FRONT BEZEL**

D363,477 S * 10/1995 Tinsley, Jr. et al. D14/445
D440,572 S * 4/2001 Jean et al. D14/445

(75) Inventor: **Chih Wei Hsu**, Shenzhen (CN)

* cited by examiner

(73) Assignee: **Hon Hai Precision Ind. Co., Ltd.**,
Taipei Hsien (TW)

Primary Examiner—Freda Nunn
(74) *Attorney, Agent, or Firm*—Wei Te Chung

(**) Term: **14 Years**

(57) **CLAIM**

(21) Appl. No.: **29/166,221**

The ornamental design for a computer front bezel, as shown and described.

(22) Filed: **Aug. 23, 2002**

DESCRIPTION

(30) **Foreign Application Priority Data**

Jun. 24, 2002 (CN) 02 3 57431

FIG. 1 is a perspective view of a computer front bezel of my new design;
FIG. 2 is a front elevational view thereof;
FIG. 3 is a rear elevational view thereof;
FIG. 4 is a left side elevational view thereof;
FIG. 5 is a right side elevational view thereof;
FIG. 6 is a top plan view thereof;
FIG. 7 is a bottom plan view thereof; and,
FIG. 8 is a view similar to FIG. 1 with the computer front bezel being mounted to a computer case which is shown in broken lines for illustrative purposes only and forms no part of the claimed design.

(51) **LOC (7) Cl.** **14-02**

(52) **U.S. Cl.** **D14/445**

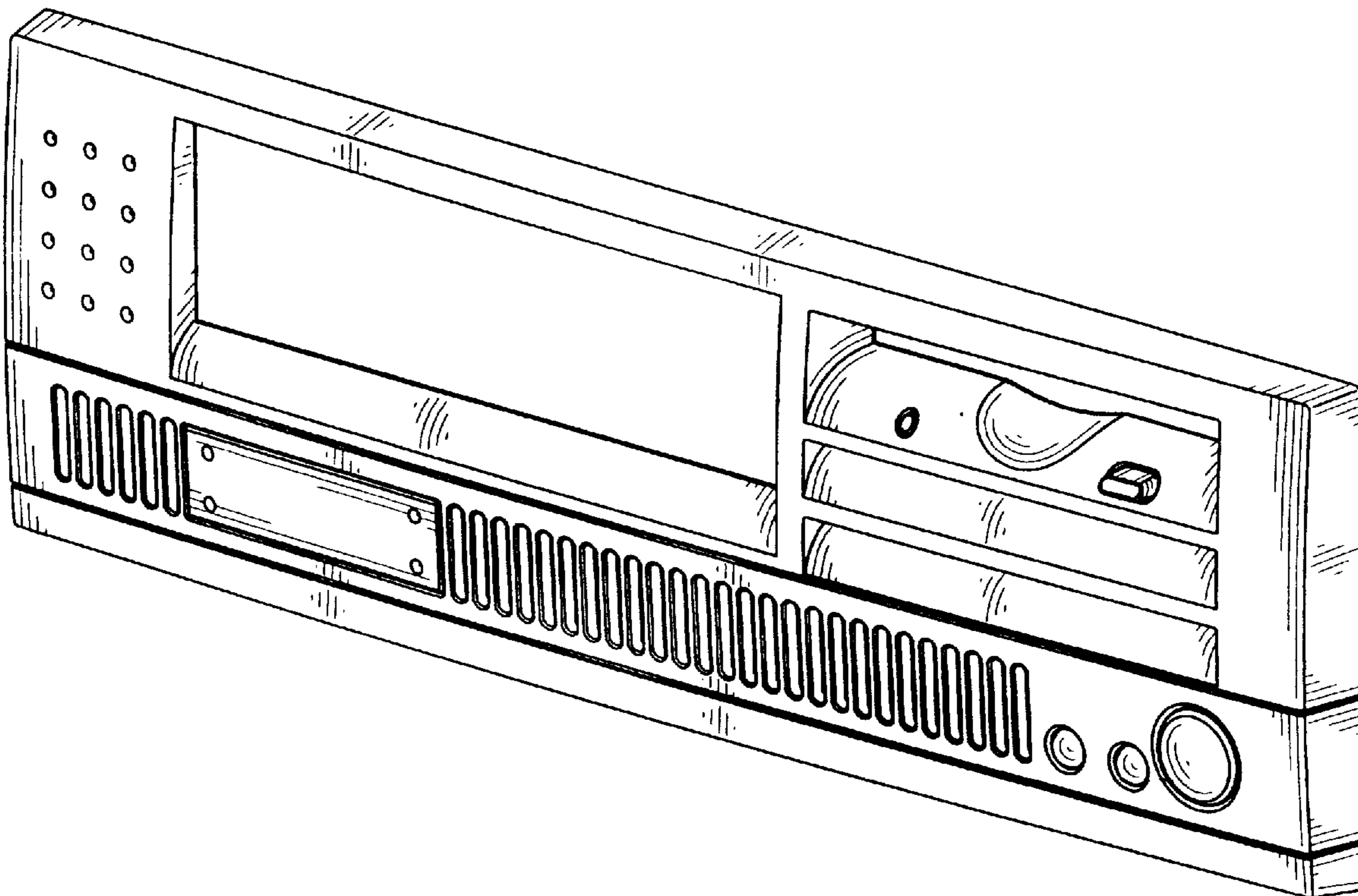
(58) **Field of Search** D14/441-446,
D14/240; D13/162, 184, 199; 312/223.2,
223.3; 361/680-686, 724, 641; 360/92;
220/4.28; D6/492; 174/35 GC

(56) **References Cited**

U.S. PATENT DOCUMENTS

D314,568 S * 2/1991 Martin D14/445

1 Claim, 6 Drawing Sheets



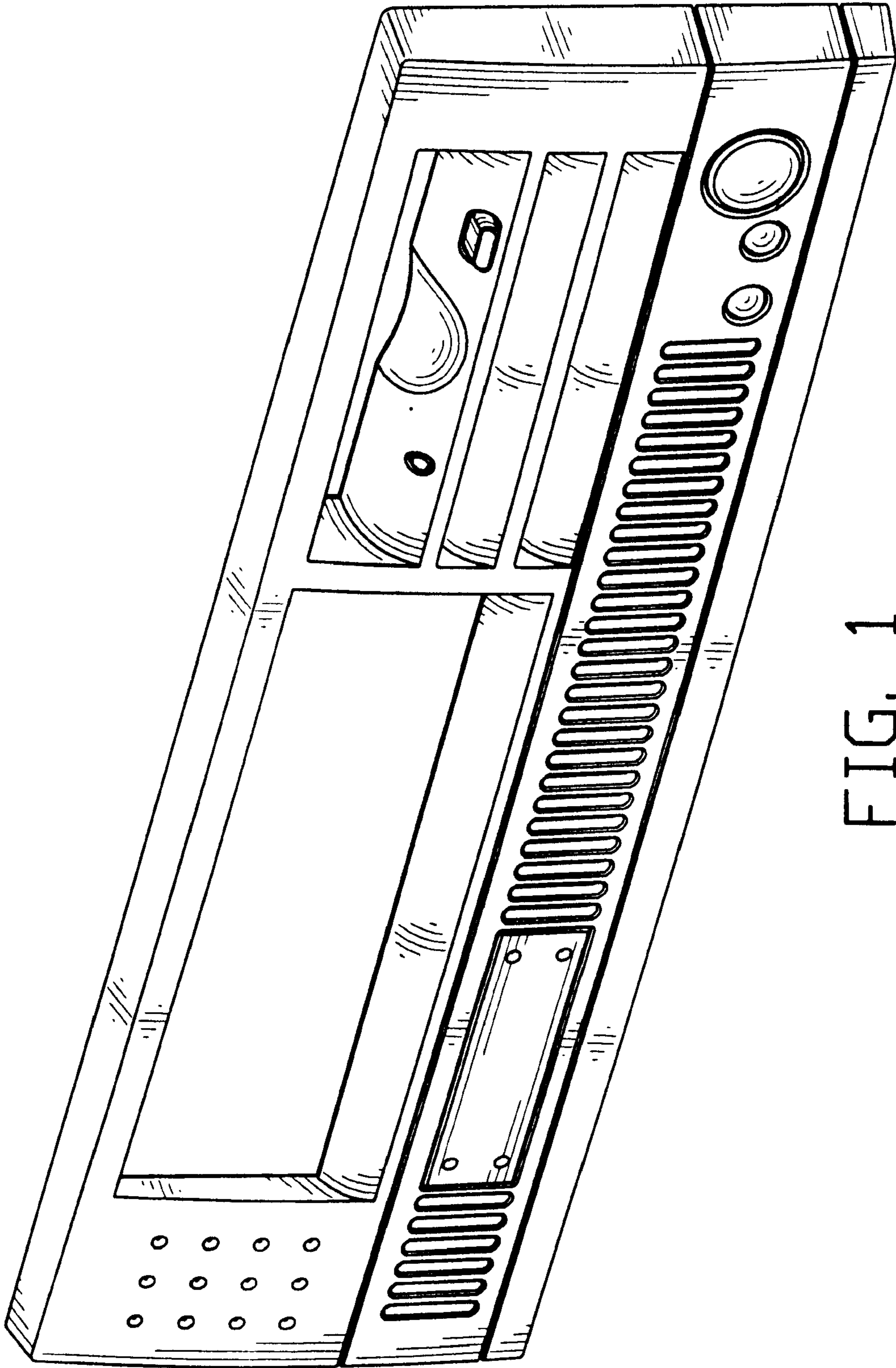


FIG. 1

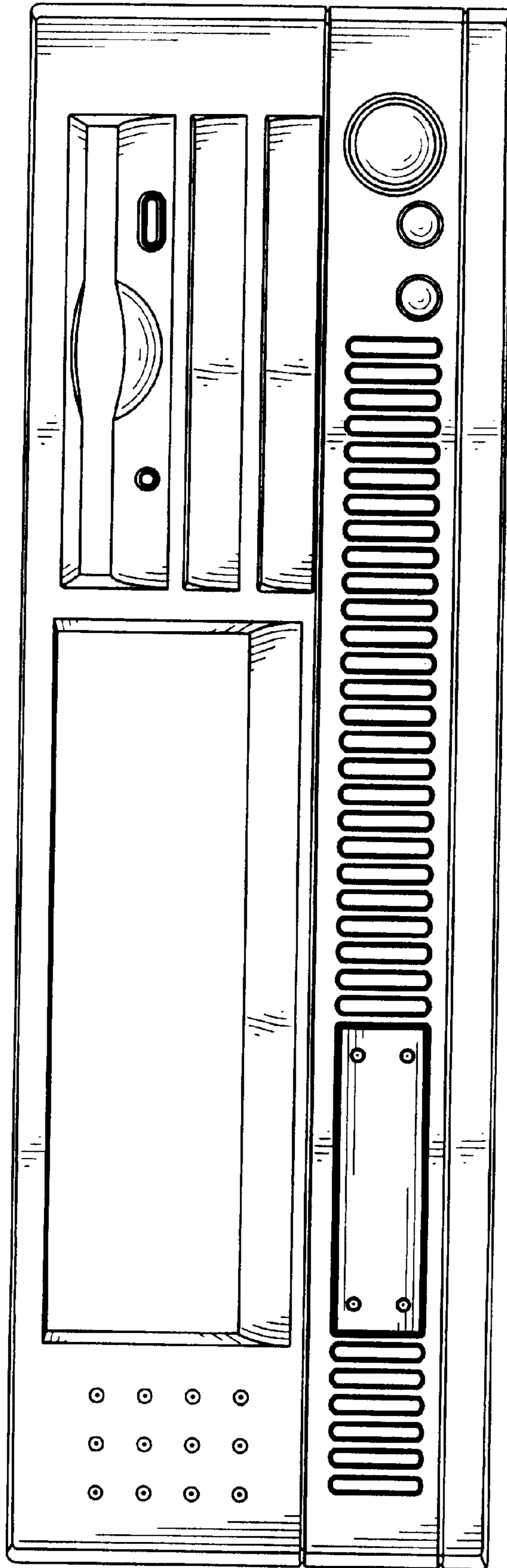


FIG. 2

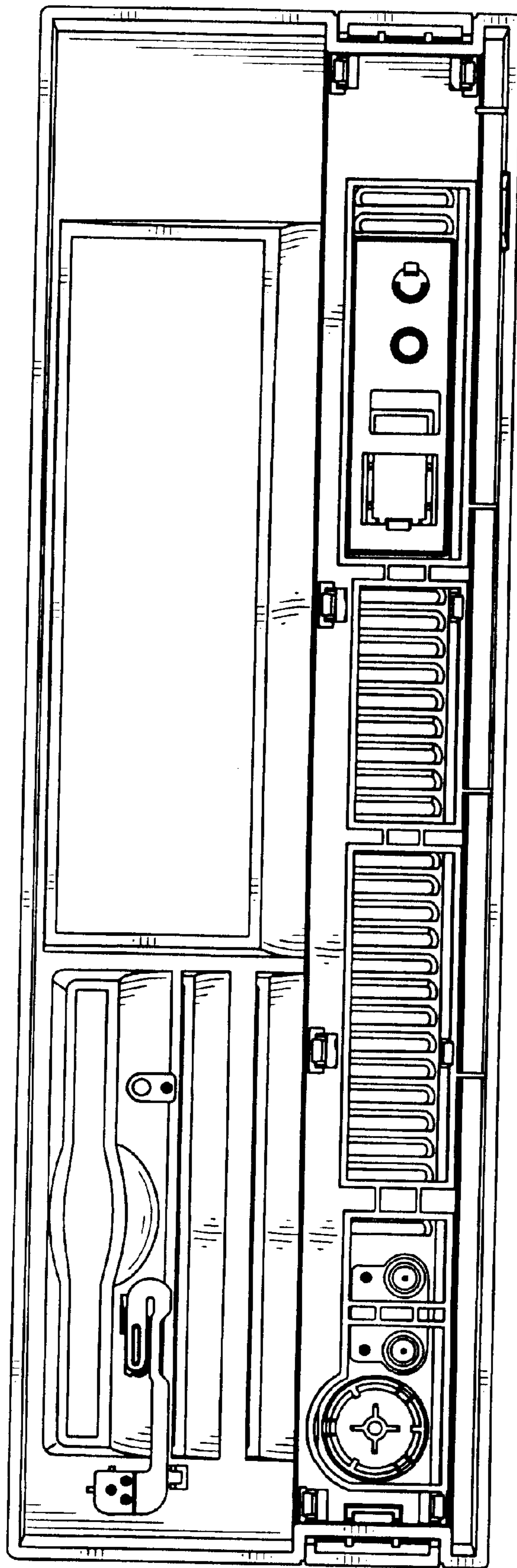


FIG. 3

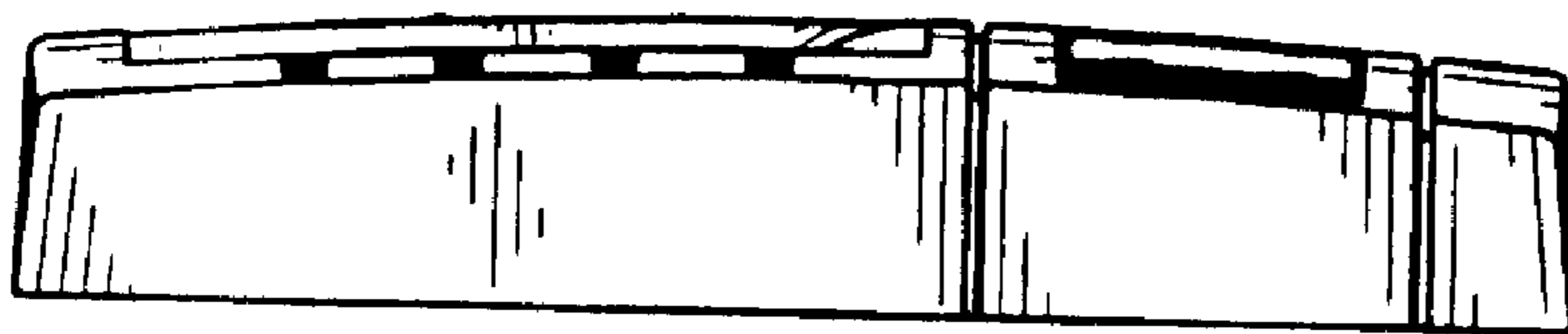


FIG. 4



FIG. 5

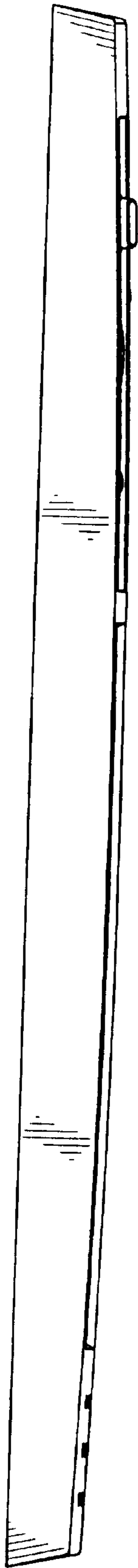


FIG. 6

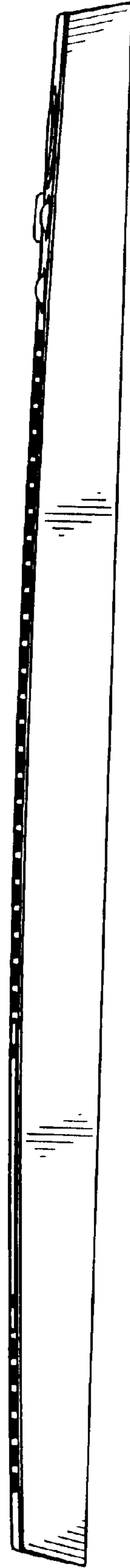


FIG. 7

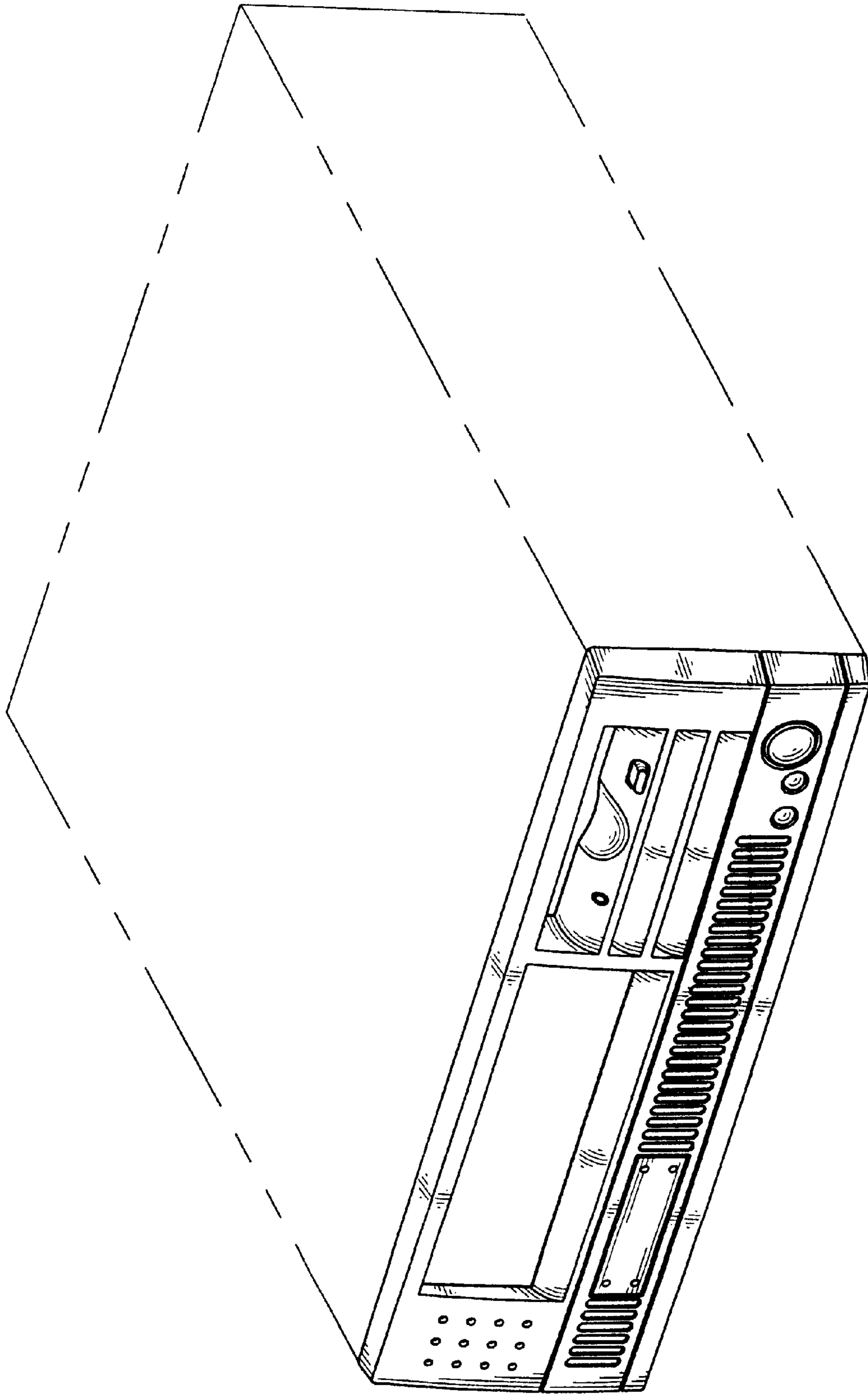


FIG. 8