



US00D474186S

(12) **United States Design Patent**
Frank et al.

(10) **Patent No.: US D474,186 S**

(45) **Date of Patent: ** May 6, 2003**

(54) **FRONT PANEL FOR A COMPUTER ENCLOSURE**

(75) Inventors: **Christopher H. Frank**, Campbell, CA (US); **Adam Richardson**, Oakland, CA (US)

(73) Assignee: **Sun Microsystems, Inc.**, Santa Clara, CA (US)

(**) Term: **14 Years**

(21) Appl. No.: **29/160,914**

(22) Filed: **May 17, 2002**

(51) **LOC (7) Cl. 14-02**

(52) **U.S. Cl. D14/444**

(58) **Field of Search D14/441-446; D13/162, 184, 199; 312/223.1, 223.2; 361/690-696**

(56) **References Cited**

U.S. PATENT DOCUMENTS

| | | | | | |
|------------|---|---------|----------------|-------|---------|
| D338,662 S | * | 8/1993 | Sharp | | D14/445 |
| D349,108 S | * | 7/1994 | Chang et al. | | D14/441 |
| D350,739 S | * | 9/1994 | Chu | | D14/445 |
| D433,418 S | * | 11/2000 | Newman et al. | | D14/444 |
| D454,881 S | * | 3/2002 | Daniels et al. | | D14/446 |
| D455,753 S | * | 4/2002 | Daniels et al. | | D14/446 |

* cited by examiner

Primary Examiner—Freda Nunn

(74) *Attorney, Agent, or Firm*—O'Melveny & Myers LLP

(57) **CLAIM**

The ornamental design for a front panel for a computer enclosure, as shown and described.

DESCRIPTION

FIG. 1 is a perspective view of the front panel for a computer enclosure with the pivoting doors in a closed position, viewed from a position to the right of the front panel. The remainder of the computer enclosure is shown in phantom line.

FIG. 2 is an elevation view of the front panel for a computer enclosure, with the pivoting doors in a closed position.

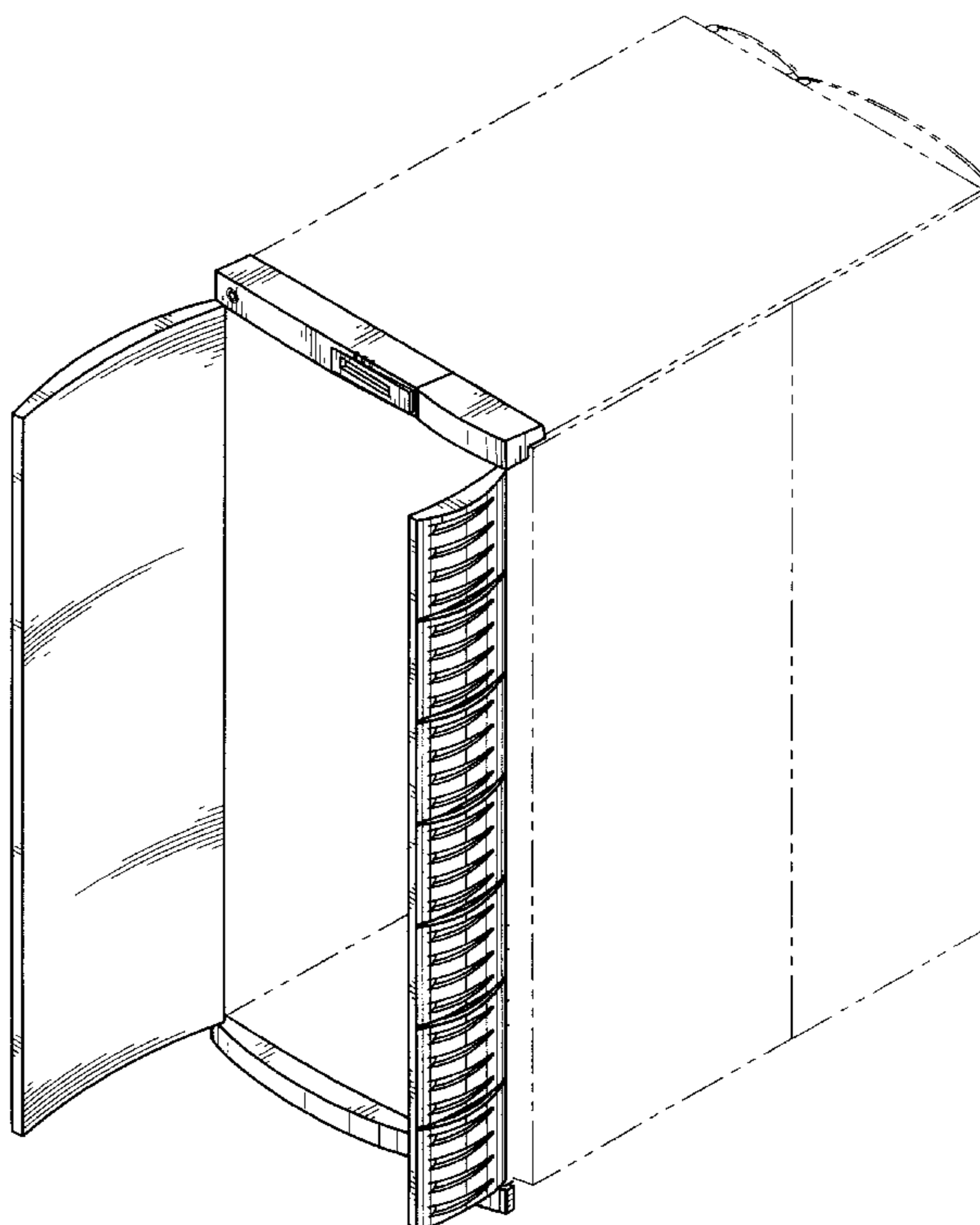
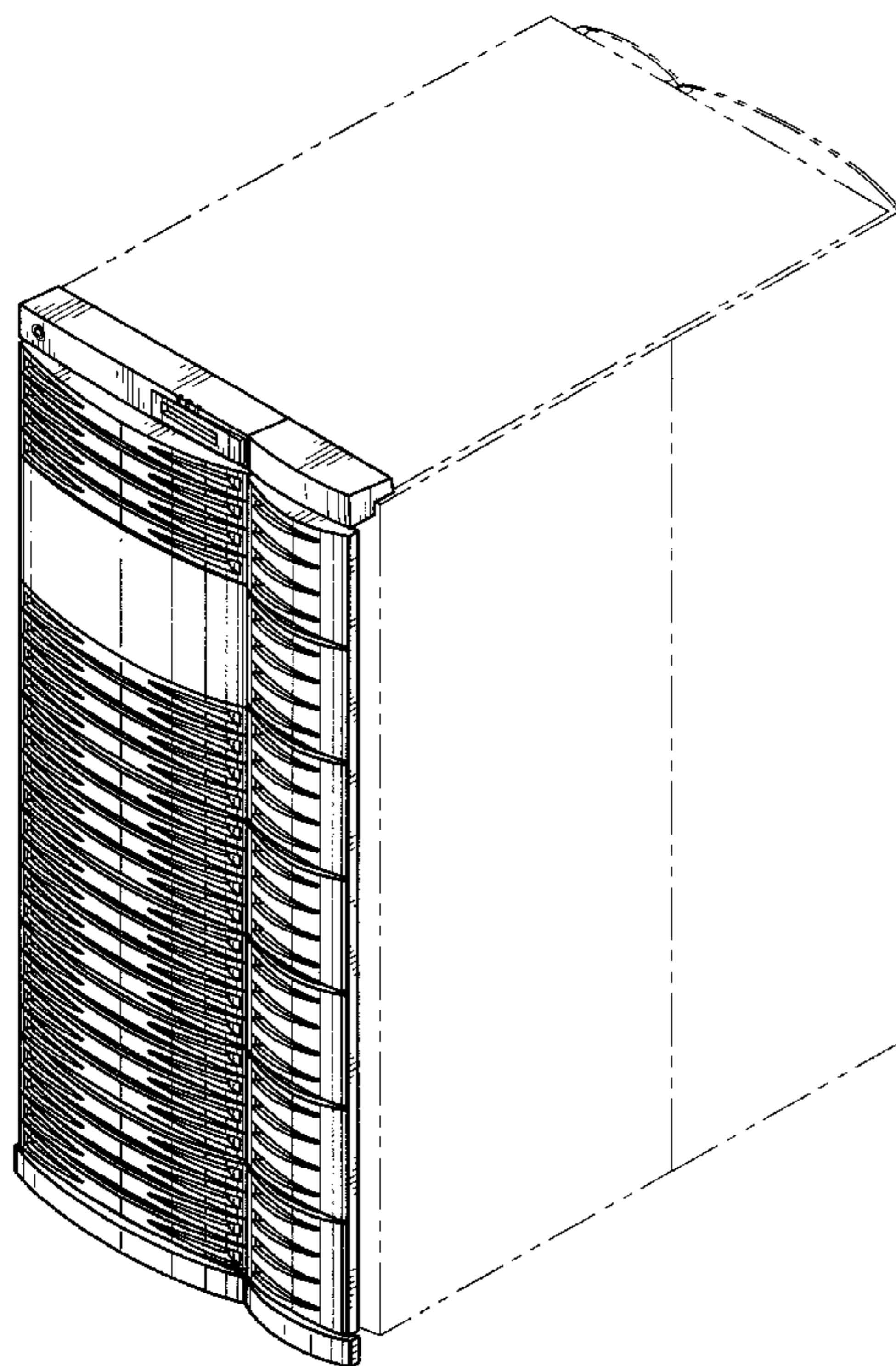
FIG. 3 is a left side elevation view of the front panel for a computer enclosure, with the pivoting doors in a closed position. The remainder of the computer enclosure is shown in phantom line.

FIG. 4 is a right side elevation view of the front panel for a computer enclosure, with the pivoting doors in a closed position. The remainder of the computer enclosure is shown in phantom line.

FIG. 5 is a top view of the front panel for a computer enclosure, with the pivoting doors in a closed position. The remainder of the computer enclosure is shown in phantom line; and,

FIG. 6 is a perspective view of the front panel for a computer enclosure with the pivoting doors in an open position, viewed from a position to the right of the front panel. The remainder of the computer enclosure is shown in phantom line.

1 Claim, 6 Drawing Sheets



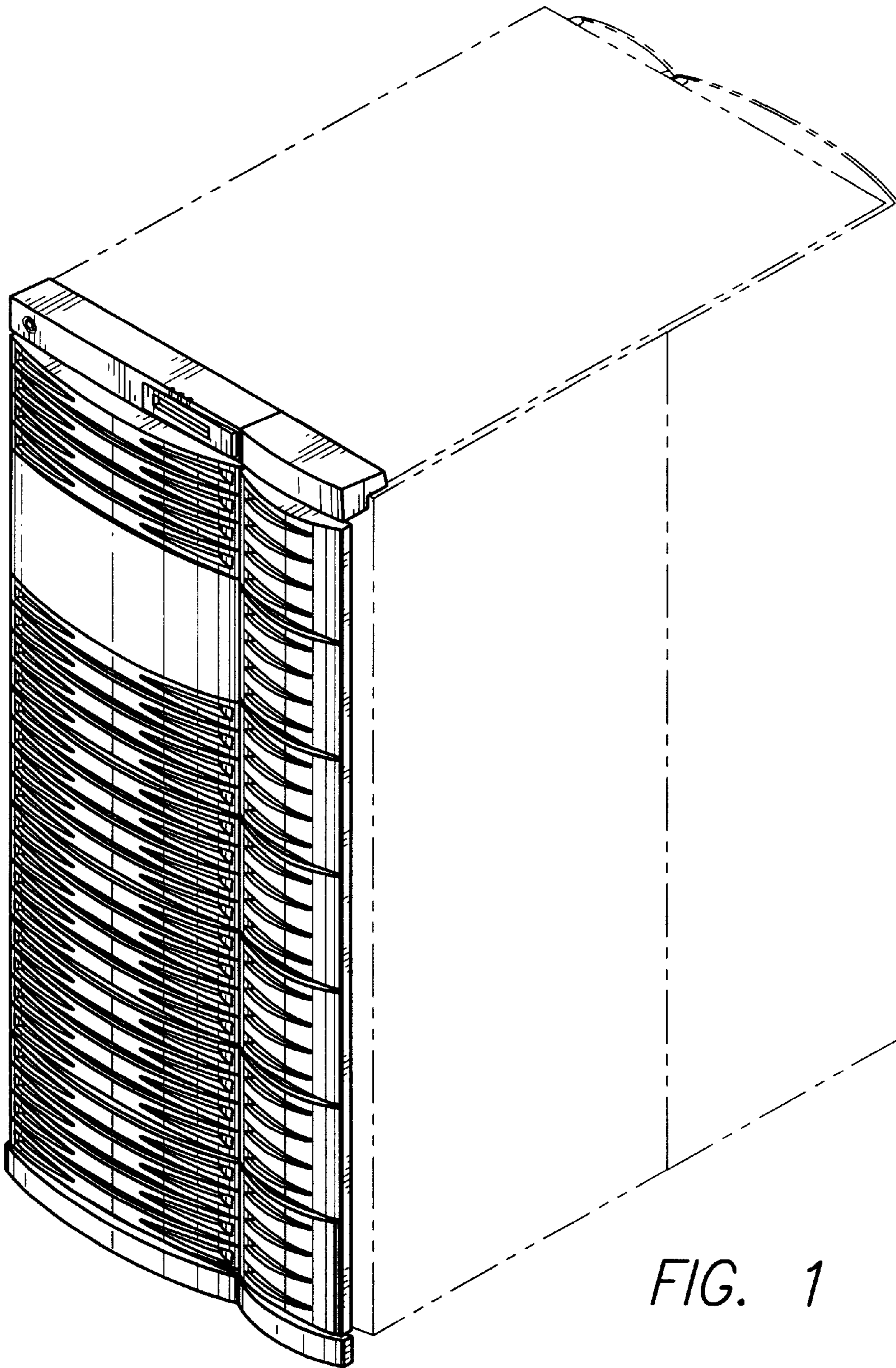


FIG. 1

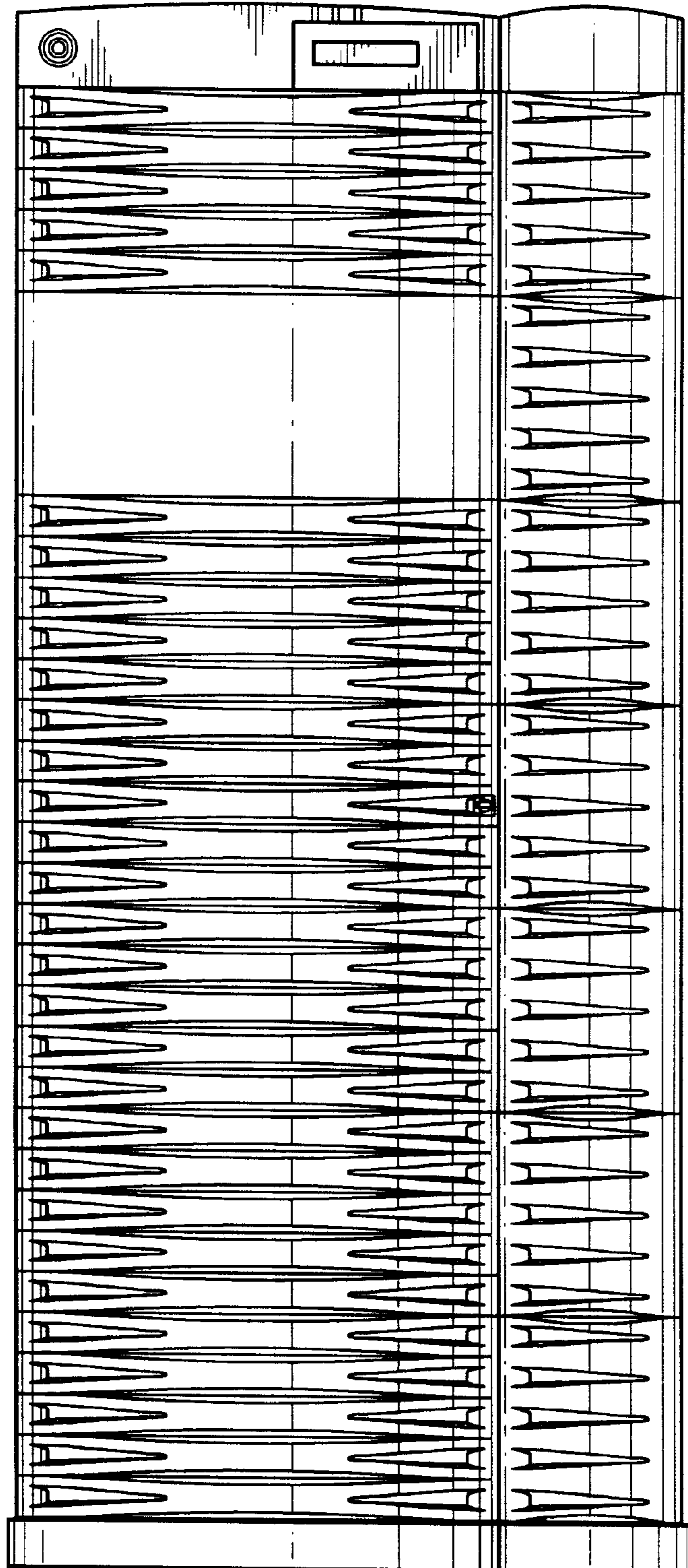


FIG. 2

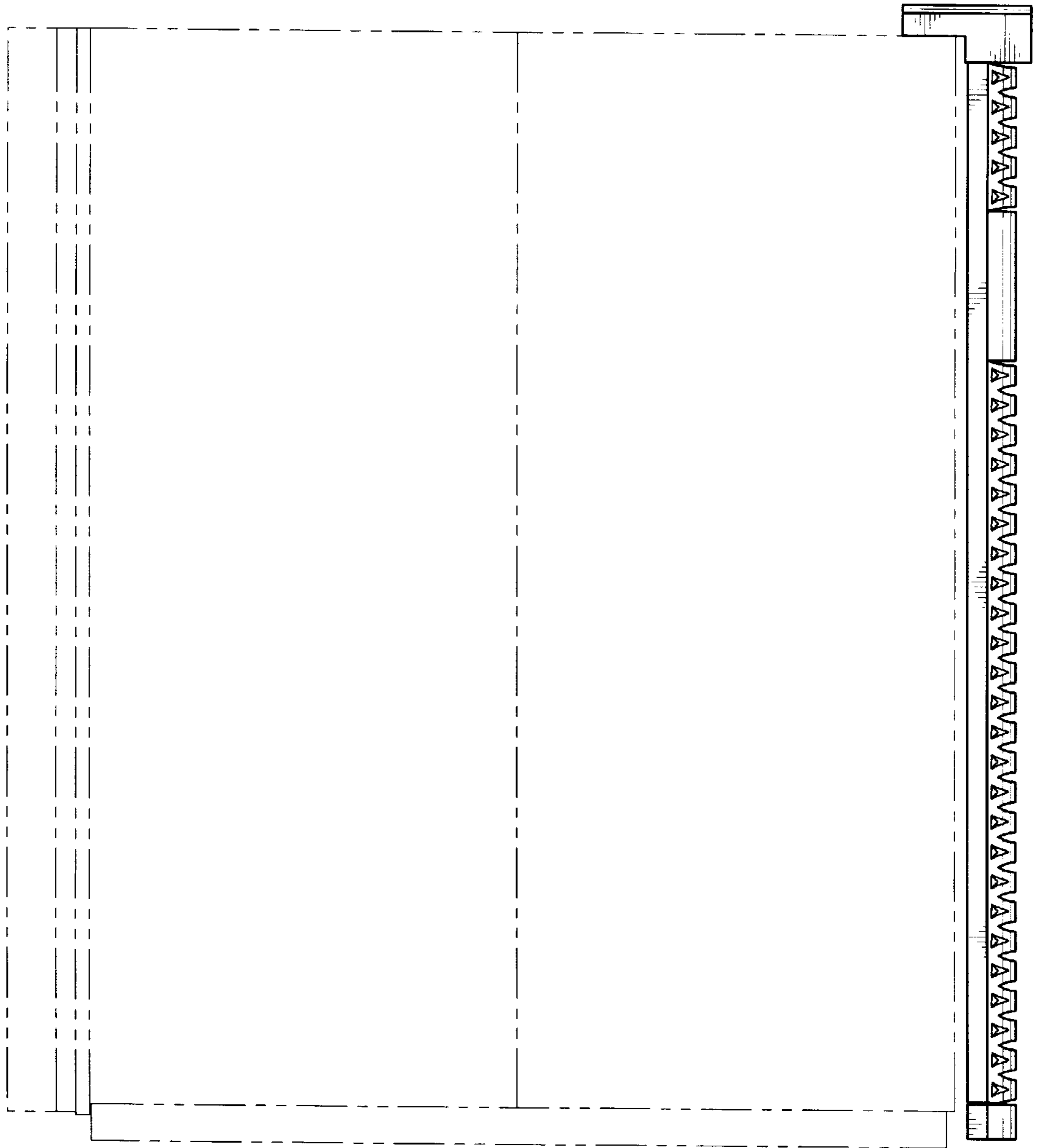


FIG. 3

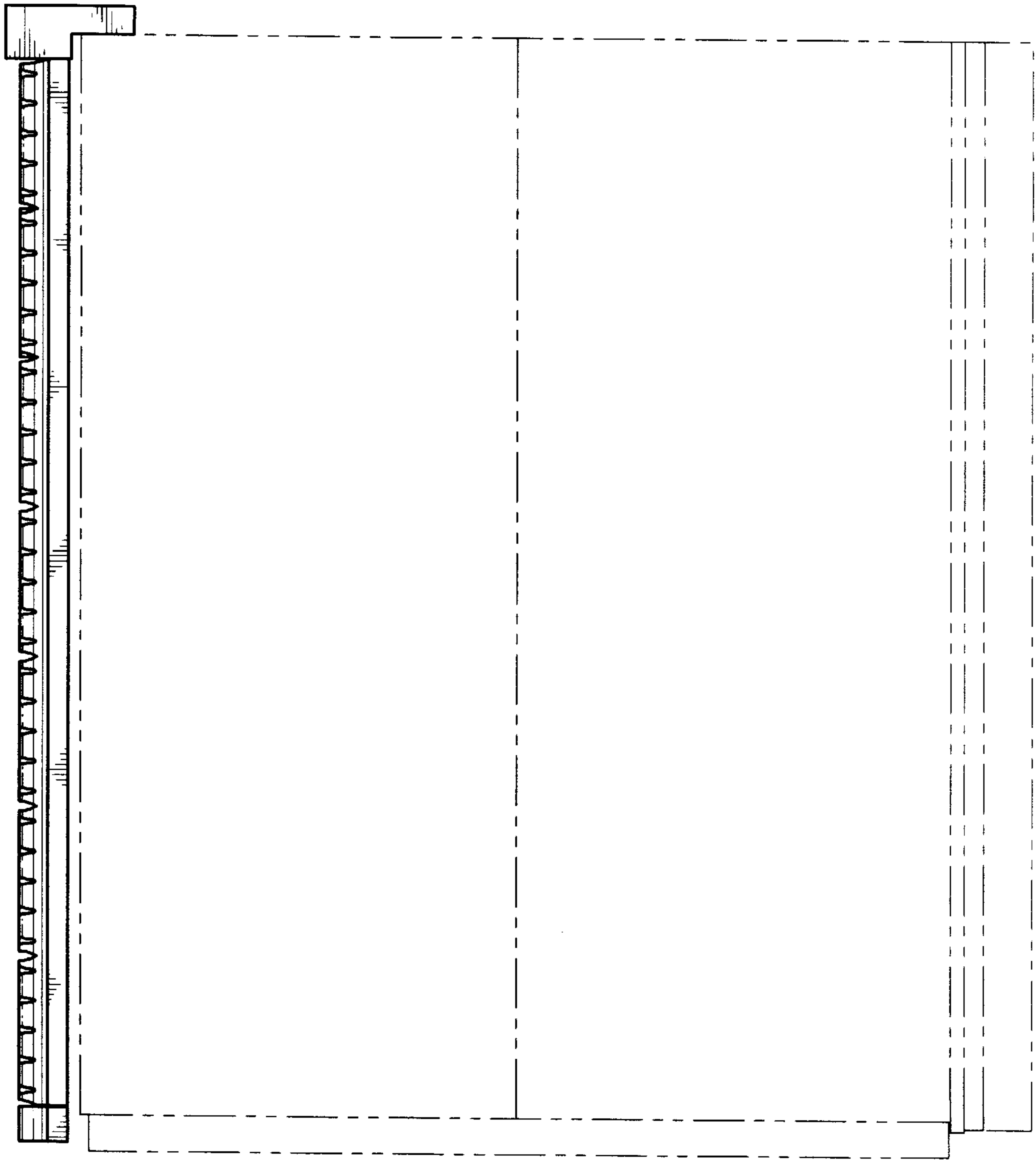


FIG. 4

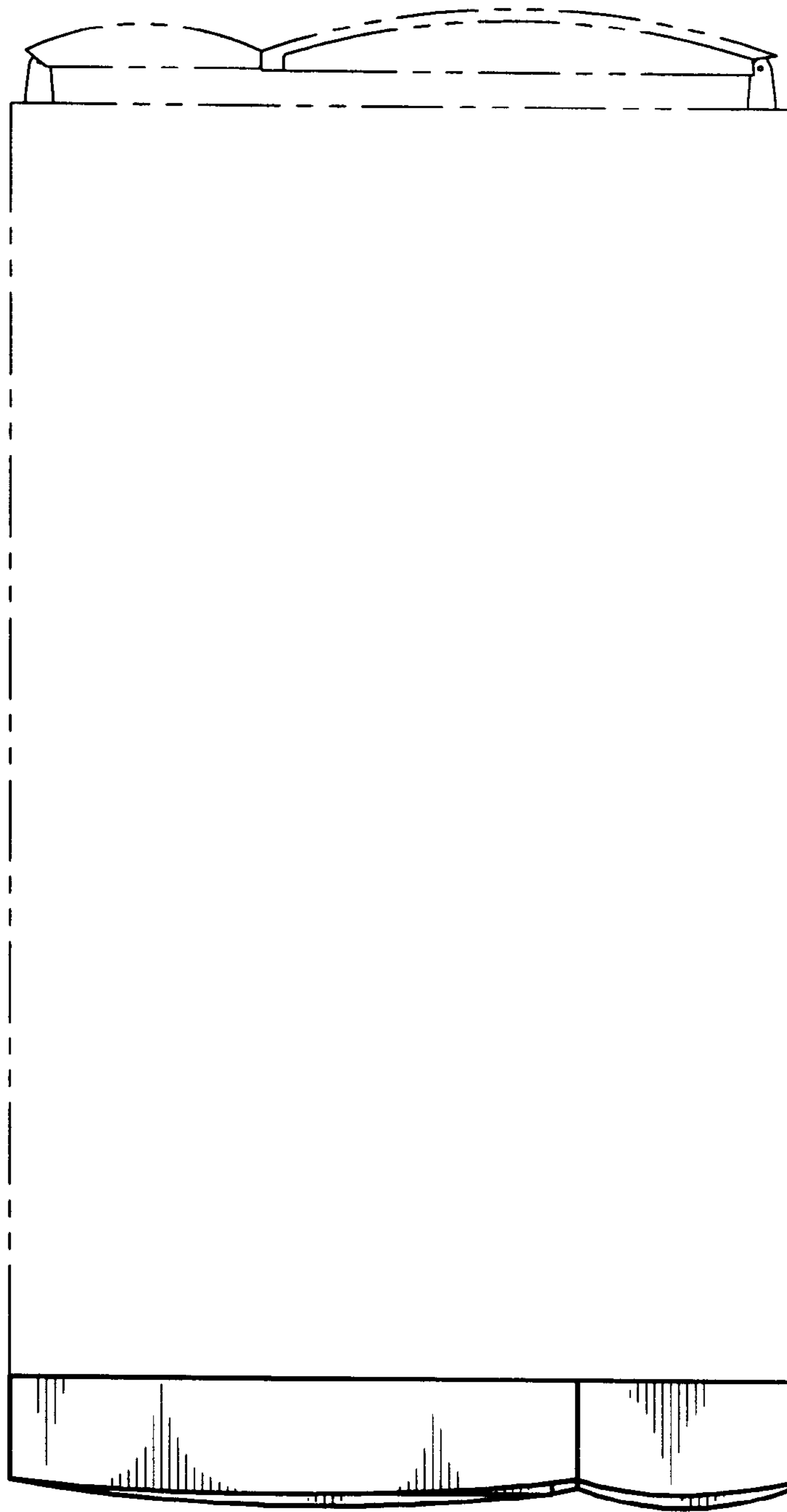


FIG. 5

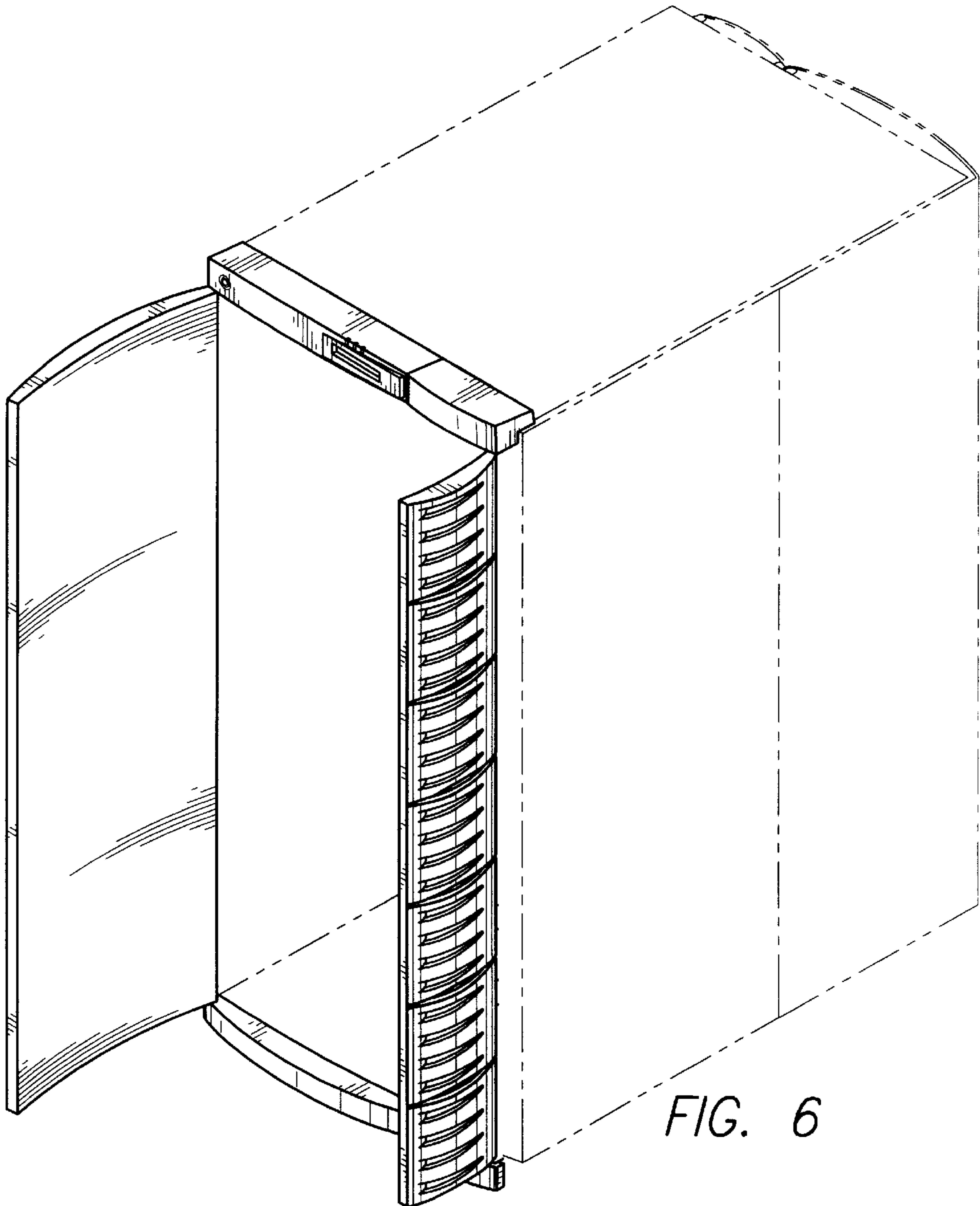


FIG. 6